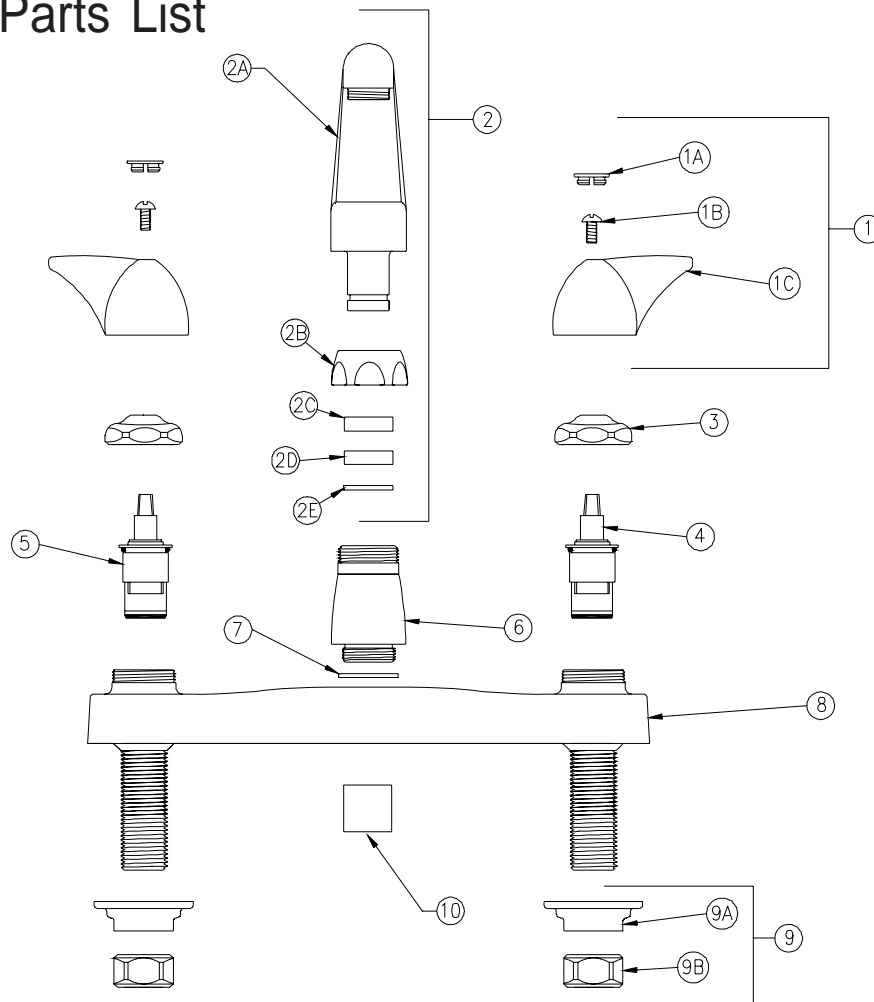


# KITCHEN SINK FAUCET



## Z871G3-XL Parts List



| Item | Part Number | Description                                   | Qty. |
|------|-------------|---|------|
| 1    | G60515      | 2" [51mm] Vandal-Resistant Dome Lever Handles | 1    |
| 1A   | G60500      | Hot/Cold Color-Coded Indexes                  | 1    |
|      | 59454001    | Hot Index                                     | 1    |
|      | 59454002    | Cold Index                                    | 1    |
| 1B   | 62464001    | 10-32 Screw                                   | 2    |
| 1C   | 60514001    | Dome Lever Handle                             | 2    |
| 2    | G67891      | 8" Cast 'G' Spout Assembly XL                 | 1    |
| 2A   | 59527002    | 8" Cast Swing Spout XL                        | 1    |
| 2B   | 59435001    | Spout Nut                                     | 1    |
| 2C   | 59441001    | Bearing Washer                                | 1    |
| 2D   | 59459001    | Spout Seal                                    | 1    |
| 2E   | 92937001    | Retaining Ring                                | 1    |
| 3    | 59440001    | Handle Nut                                    | 2    |
| 4    | 59517005    | Short Cold Cartridge XL                       | 1    |
| 5    | 59517006    | Short Hot Cartridge XL                        | 1    |
| 6    | 60467005    | Base XL                                       | 1    |
| 7    | 58155019    | O-Ring  | 1    |
| 8    | 93286001    | Kitchen Deck Body XL                          | 1    |
| 9    | G60502      | Mounting Hardware                             | 1    |
| 9A   | 59530002    | Mounting Nut                                  | 2    |
| 9B   | 59532001    | 1/2" NPSM Riser Nut                           | 2    |
| 10   | G63504      | 3/4"-27 Female Aerator - 2.2 GPM              | 1    |

ZURN INDUSTRIES, LLC ♦ COMMERCIAL BRASS OPERATION ♦ 2640 SOUTH WORK STREET ♦ FALCONER NY 14733

Phone: 1-800-997-3876 ♦ Fax: 1-919-775-3541 ♦ www.zurn.com

In Canada: ZURN INDUSTRIES LIMITED ♦ 3544 Nashua Drive ♦ Mississauga, Ontario L4V1L2 ♦ Phone: 905/405-8272 Fax: 905/405-1292