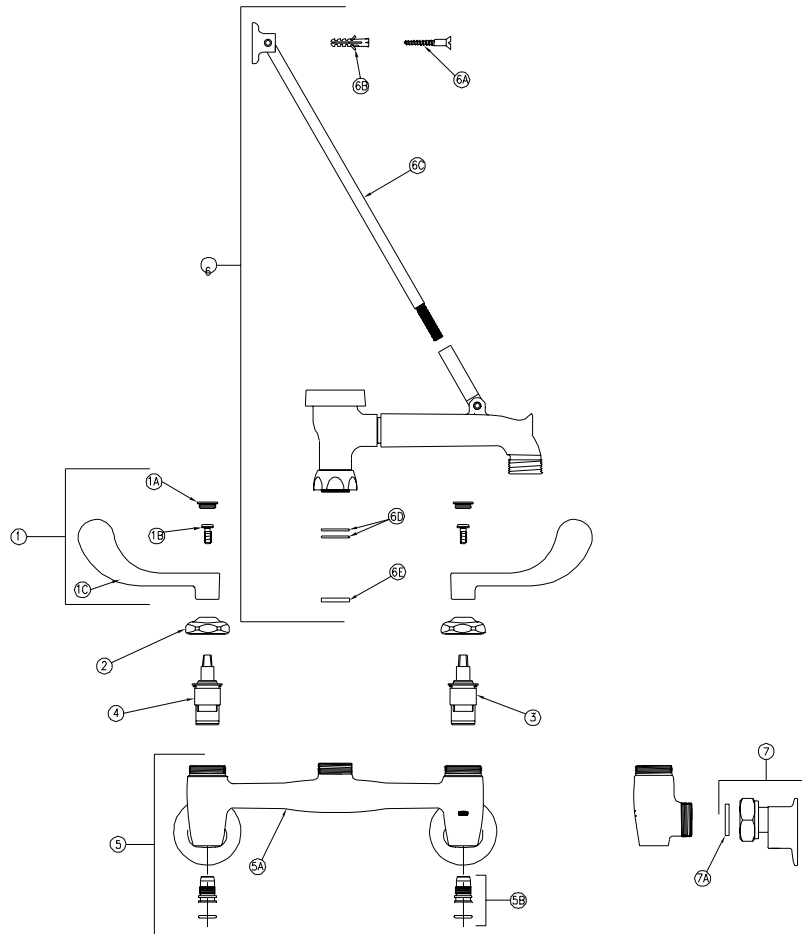


# SINK FAUCET

## Z843M4 Parts List



Item	Part Number	Description	Qty.
1	G60504	4" [102mm] Vandal-Resistant Metal Wrist Blade Handles	1
1A	G60500	Hot/Cold Color-Coded Indexes	1
	59454001	Hot Index	1
	59454002	Cold Index	1
1B	62464001	10-32 Screw	2
1C	59453001	Wrist Blade Handle	2
2	59440001	Handle Nut	2
3	59517001	Short Cold Cartridge	1
4	59517002	Short Hot Cartridge	1
5	66168001	Sink Body Assembly	1
5A	66156001	Sink Body	1
5B	G67807	Stop Plug Assembly	2
	59536002	Stop Plug	1
	58155013	O-Ring	1
6	G60554	5-3/4" 'M' Vacuum Breaker Spout Assembly	1
6A	62358001	Flat Head Wood Screw	2
6B	62359001	Plastic Anchor	2
6C	92377001	Wall Bracket/Rod Assembly	1
6D	58155018	O-Ring	2
6E	59436001	Spacer Washer	1
7	G65336	Short Supply Arm Assembly	2
7A	59748001	Gasket	2

ZURN INDUSTRIES, INC. ♦ COMMERCIAL BRASS OPERATION ♦ 2640 SOUTH WORK STREET ♦ FALCONER NY 14733

Phone: 1-716-665-1132 ♦ Fax: 1-716-665-1135 ♦ World Wide Web: www.zurn.com

In Canada: ZURN INDUSTRIES LIMITED ♦ 3544 Nashua Drive ♦ Mississauga, Ontario L4V1L2 ♦ Phone: 905/405-8272 Fax: 905/405-1292