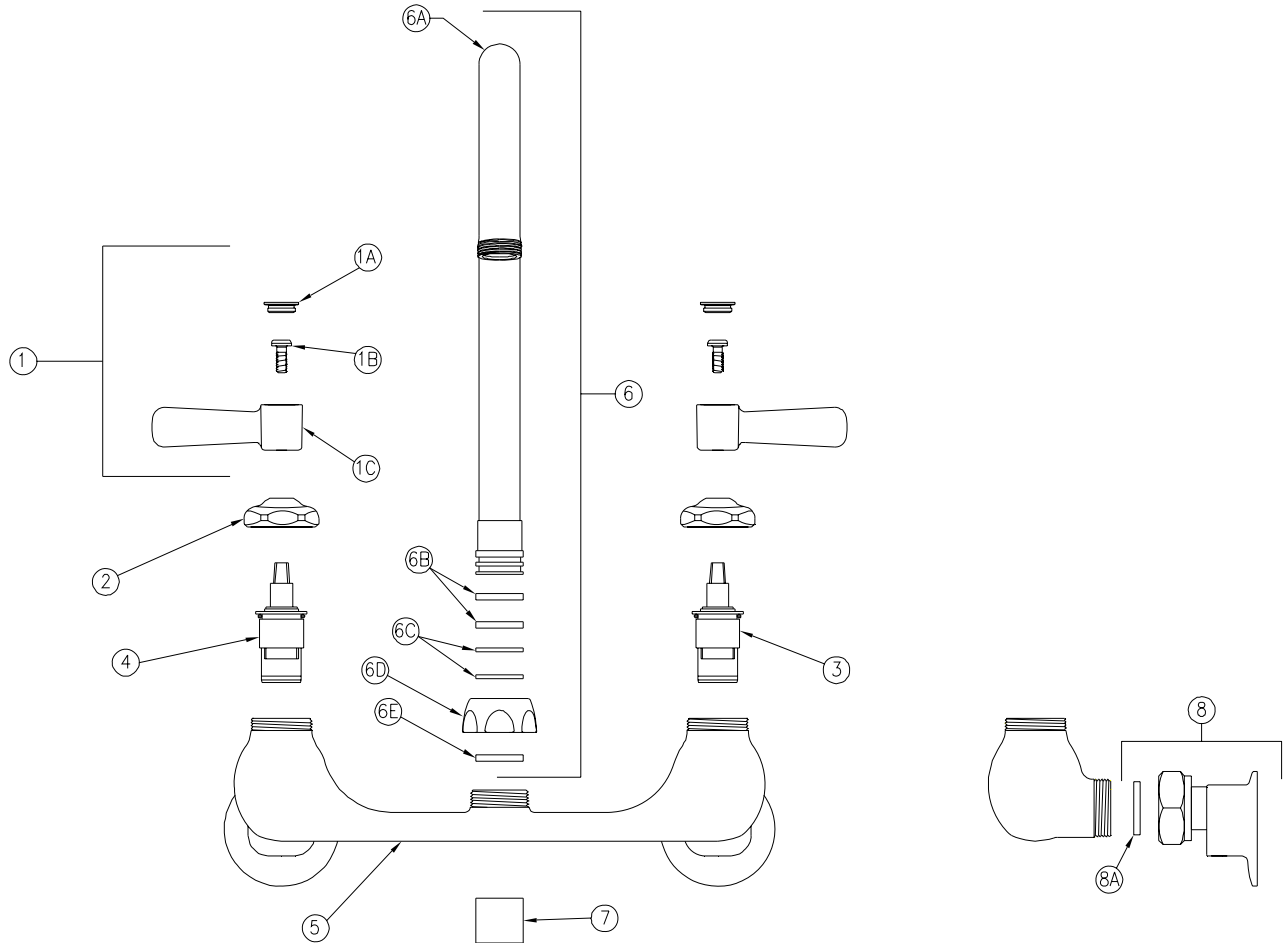


# SINK FAUCET

## Z842C1-XL Parts List



Item	Part Number	Description	Qty.
1	<a href="#">G60501</a>	2-1/2" [64mm] Vandal-Resistant Metal Lever Handles	1
1A	<a href="#">G60500</a>	Hot/Cold Color-Coded Indexes	1
	<a href="#">59454001</a>	Hot Index	1
	<a href="#">59454002</a>	Cold Index	1
1B	<a href="#">62464001</a>	10-32 Screw	2
1C	<a href="#">59487001</a>	Lever Handle	2
2	<a href="#">59440001</a>	Handle Nut	2
3	<a href="#">59517005</a>	Short Cold Cartridge	1
4	<a href="#">59517006</a>	Short Hot Cartridge	1
5	<a href="#">59463005</a>	Sink Body	1
6	<a href="#">G67853</a>	8" Gooseneck Spout Ass'y.	1
6A	<a href="#">92866003</a>	8" Centerline Gooseneck Spout	1
6B	<a href="#">59666001</a>	Swing Washers (for swing configuration)	2
6C	<a href="#">58155018</a>	O-Rings	2
6D	<a href="#">59435001</a>	Spout Nut	1
6E	<a href="#">59436001</a>	Spacer Washer (for rigid configuration)	1
7	<a href="#">G63504</a>	3/4"-27 Female Aerator - 2.2 GPM	1
8	<a href="#">G67882</a>	Short Supply Arm Assembly	2
8A	<a href="#">59748001</a>	Gasket	2

ZURN INDUSTRIES, LLC ♦ COMMERCIAL BRASS OPERATION ♦ 2640 SOUTH WORK STREET ♦ FALCONER NY 14733

Phone: 1-800-997-3876 ♦ Fax: 1-919-775-3541 ♦ www.zurn.com

In Canada: ZURN INDUSTRIES LIMITED ♦ 3544 Nashua Drive ♦ Mississauga, Ontario L4V1L2 ♦ Phone: 905/405-8272 Fax: 905/405-1292