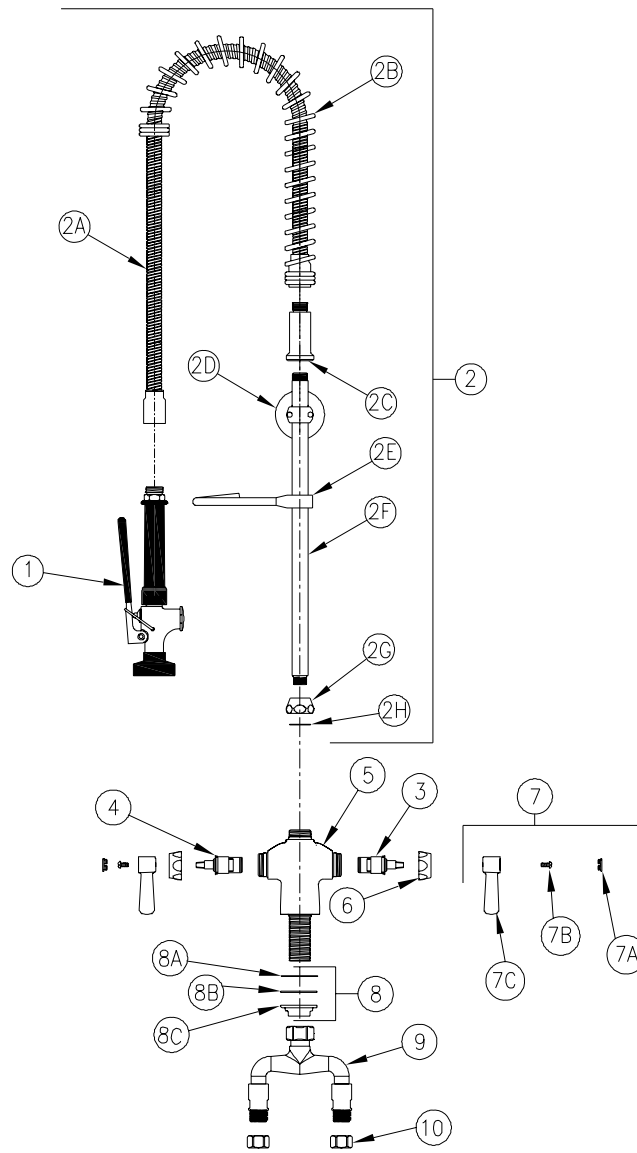


# PRE-RINSE Z826X1



Item	Part Number	Description	Qty.	Item	Part Number	Description	Qty.
1	Z80000-PR1	Pre-Rinse Unit	1	5	60822002	Double Lab Body	1
2	Z800X0	X Spout Riser Support Assembly	1	6	59523001	Handle Nut	1
2A	61704036	Stainless Steel Hose	1	7	G60501	2-1/2" [64mm] Lever Handles	1
2B	61896001	Spring	1	7A	G60500	Hot/Cold Color-Coded Indexes	1
2C	61700002	Riser Adaptor Outlet	1		59454001	Hot Index	1
2D	Z80000-RS	Pre-Rinse Pipe Support	1		59454002	Cold Index	1
2E	Z80000-PSH	Hook and Screw	1	7B	62464001	10-32 Screw	1
2F	61917023	Riser Tube	1	7C	59487001	Lever Handle	1
2G	61699001	Adaptor, Riser Inlet	1	8	G61073	Mounting Hardware	1
2H	69974001	Gasket	1	8A	60549002	Gasket	1
3	59517002	Short Hot Cartridge	1	8B	60444002	Washer	1
4	59517001	Short Cold Cartridge	1	8C	60455002	Mounting Nut	1
				9	Z80000-MYCS	Mixing Yoke w/Check Stops	1
				10	59532001	1/2" Riser Nut	1

ZURN INDUSTRIES, LLC ♦ COMMERCIAL BRASS OPERATION ♦ 2640 SOUTH WORK STREET ♦ FALCONER NY 14733

Phone: 1-800-997-3876 ♦ Fax: 1-919-775-3541 ♦ www.zurn.com

In Canada: ZURN INDUSTRIES LIMITED ♦ 3544 Nashua Drive ♦ Mississauga, Ontario L4V1L2 ♦ Phone: 905/405-8272 Fax: 905/405-1292