



AQUASPEC[®] FAUCETS

MODEL - Z82500-XL SERIES
SINGLE HOLE LABORATORY FAUCET

TECHNICAL INFORMATION

FLOW: 2.2 GPM [8.3 L] PRESSURE COMPENSATING AERATOR *

MAXIMUM PRESSURE: 125 PSI

MAXIMUM TEMPERATURE: 160°F

HANDLE NUT TORQUE: 15-20 IN-LBS

CARTRIDGE STYLE: QUARTER TURN CERAMIC DISK

* OTHER AERATORS AVAILABLE BY REQUEST

⚠ WARNING: Cancer and Reproductive Harm - www.P65Warnings.ca.gov

⚠ ADVERTENCIA: Cáncer y daño reproductivo - www.P65Warnings.ca.gov

⚠ AVERTISSEMENT: Cancer et effets néfastes sur la reproduction - www.P65Warnings.ca.gov

* INSTALLATION INSTRUCTIONS

1. REMOVE FAUCET BODY FROM CARTON AND INSTALL GASKET (ITEM #4A) ON SHANK.
2. OPTIONAL ANTI-ROTATION PINS (-AR), THREAD ANTI-ROTATION PINS INTO THE THREADED HOLES ON THE UNDER SIDE OF THE SINGLE LAB BODY. SEE PAGE 2 FOR ROUGH-IN DIMENSIONS TO ACCOMMODATE THE (-AR) OPTION.
3. PLACE FAUCET ON SINK, PLACE LOCK WASHER (ITEM #4B) ON SHANK AND SECURE WITH MOUNTING NUT (ITEM #5).
 - STANDARD RIGHT HAND HANDLE INSTALLATION IS SHOWN BELOW.
TURNING THE HANDLE COUNTERCLOCKWISE (TOWARD THE SINK) WILL TURN WATER "ON" AND CLOCKWISE (AWAY FROM SINK) WILL TURN "OFF."
 - OPTIONAL LEFT HAND (-LH) HANDLE INSTALLATION CAN BE ACCOMPLISHED BY TURNING FAUCET BODY 180 DEGREES ON THE SINK DECK.
NOTE THE 1/4 TURN HANDLE OPERATION WILL BE REVERSED WITH REGARDS TO THE SINK.
TURNING THE HANDLE COUNTERCLOCKWISE (AWAY FROM SINK) WILL NOW TURN WATER "ON" AND CLOCKWISE (TOWARD THE SINK) WILL TURN WATER "OFF."
4. HAND TIGHTEN MOUNTING NUT FROM UNDER SINK. MAKE SURE FAUCET IS CENTERED PROPERLY. **DO NOT OVER TIGHTEN.**
5. ATTACH LAVATORY SUPPLY TO FAUCET WITH RISER NUT (ITEM #4C).
6. INSTALL SPOUT INTO BASE AND TIGHTEN NUT (SEE VIEWS FOR SWING/RIGID CONNECTION).
7. OPTIONAL GRID STRAINER (-G)/HANDICAP OFFSET GRID DRAIN (-GH). INSTALL GRID STRAINER IN SINK OUTLET AND PLUMB WASTE CONNECTION.
8. TURN WATER SUPPLY ON AND OPERATE FAUCET CHECKING FOR LEAKS.
9. IT WILL BE NECESSARY TO SHUT WATER OFF AND REMOVE CARTRIDGE TO CLEAN SUPPLY LINE. CARTRIDGE CAN BE REMOVED BY FIRST REMOVING THE HANDLE. COLOR INDEX CAN BE REMOVED BY INSERTING A PIN INTO THE HOLE ON THE UNDERSIDE OF THE HANDLE. AFTER THE HANDLE HAS BEEN REMOVED, UNSCREW THE HANDLE NUT AND PULL OUT ON THE CARTRIDGE.
10. REPLACE CARTRIDGE IN BODY AND HAND TIGHTEN HANDLE NUT. PLACE HANDLE ON THE CARTRIDGE STEM AND LOCATE AS DESIRED. TIGHTEN HANDLE NUT.
11. REPLACE HANDLE SCREW AND COLOR INDEX BUTTON.
12. INSTALL AERATOR INTO FAUCET AND HAND TIGHTEN. IT MAY BE NECESSARY TO UNSCREW AND CLEAN AERATOR AT START-UP.

MAINTENANCE

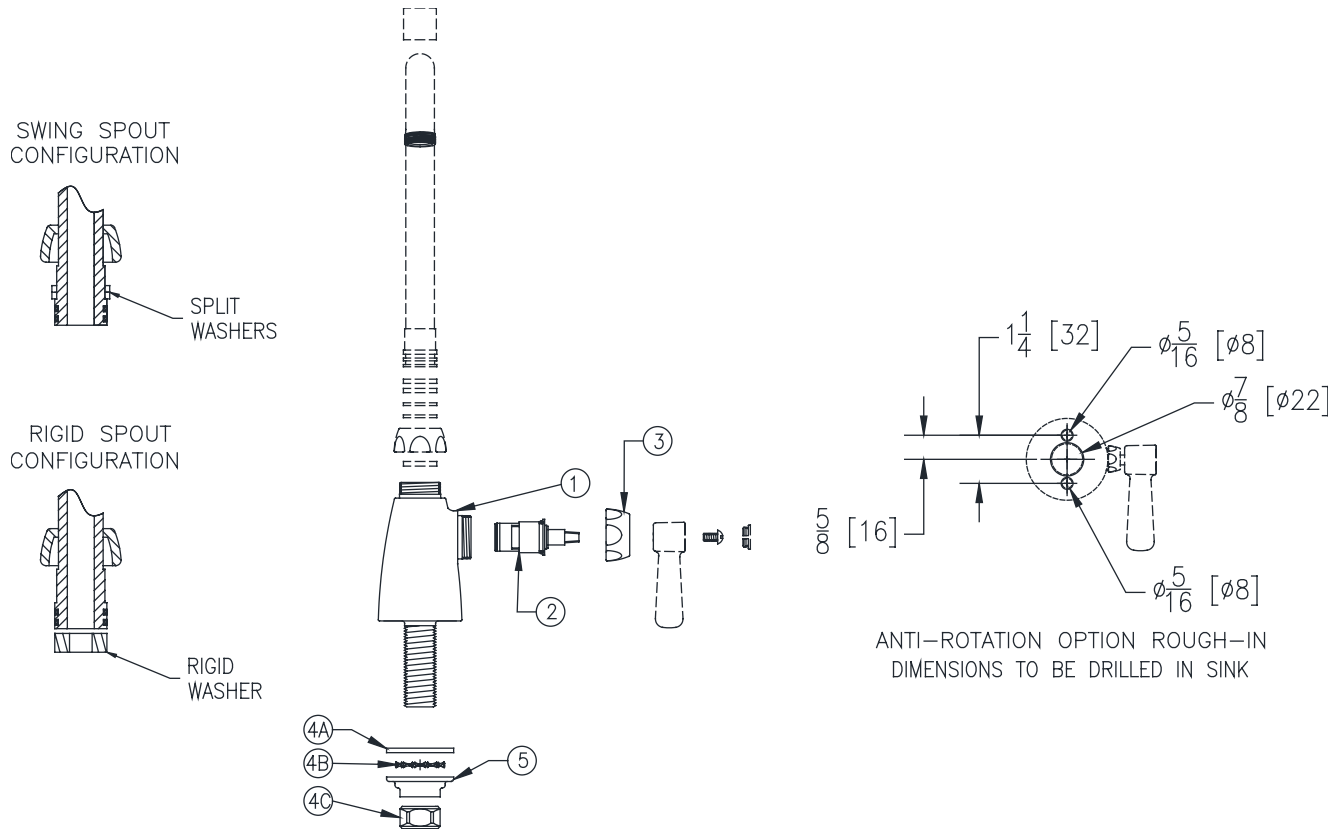
1. YOUR ZURN AQUASPEC FAUCET HAS A HIGHLY POLISHED NICKEL CHROME PLATED FINISH. CLEAN WITH SOAP AND WATER OR A MILD CLEANER WHICH IS SAFE FOR CHROME PLATING. DO NOT USE ACIDS OR TOILET BOWL CLEANER AS THEY WILL DAMAGE THE FINISH.
2. AQUASPEC FAUCETS CONTAIN CERAMIC DISK CARTRIDGES WHICH REQUIRE NO MAINTENANCE. TO REMOVE THE CARTRIDGE, SHUT THE WATER OFF, LOOSEN THE HANDLE NUTS AND PULL UP ON THE CARTRIDGE.

REPLACEMENT PARTS

CARTRIDGE
INDEX BUTTONS

59517006
G60500

Z825A1-XL PICTURED



Item	Part Number	Description	Qty.
1	59733003	SINGLE LAB BODY	1
2	59517006	SHORT HOT CARTRIDGE	1
3	59523001	HANDLE NUT	1
4	G68037	MOUNTING HARDWARE	1
4A	60549001	Gasket	1
4B	61613019	Lockwasher	1
4C	59532001	1/2" NPSM Riser Nut	1
5	59530002	MOUNTING NUT 1-1/2"-14	1

