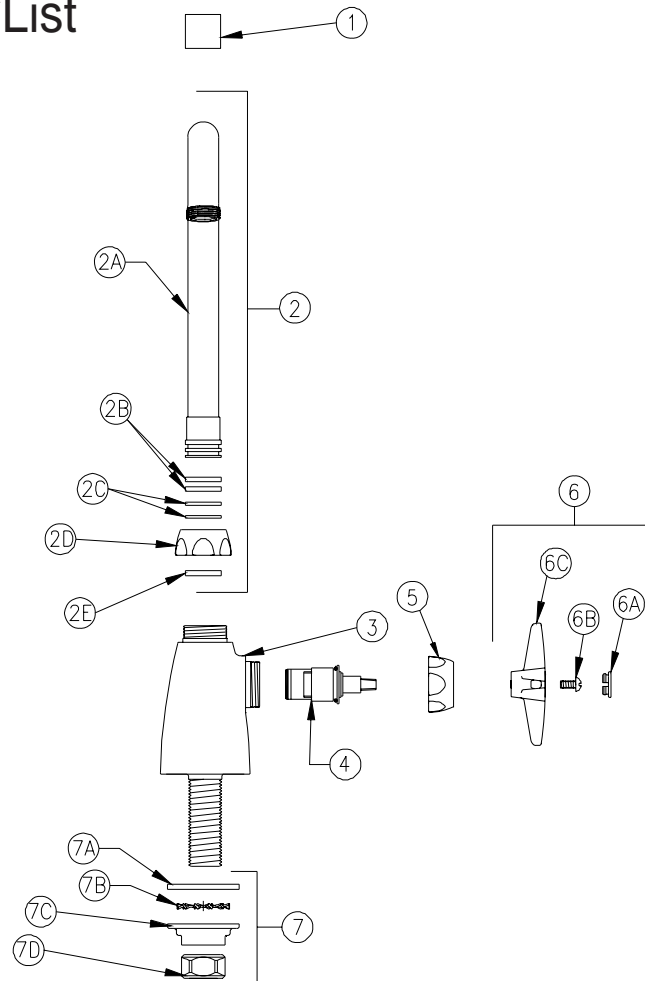


# LABORATORY FAUCET - SINGLE



## Z825A2-XL Parts List



Item	Part Number	Description	Qty.
1	G63504	3/4"-27 Female Aerator	1
2	G67851	3-1/2" Centerline Gooseneck 'A' Spout Assembly	1
2A	92866001	3-1/2" Centerline Gooseneck Spout	1
2B	58155018	O-Rings	2
2C	59666001	Plastic Split Washers (Swing)	2
2D	59435001	Spout Nut	1
2E	59436001	Spacer Washer (Rigid)	1
3	59733003	Single Lab Body	1
4	59517006	Short Hot Cartridge	1
5	59523001	Handle Nut	1
6	G61072	Vandal-Resistant Metal Four Arm Handle	1
6A	G60548	Hot/Cold/Tempered Color-Coded Indexes	1
	59454001	Hot Index	1
	59454002	Cold Index	1
	59454003	Tempered Index	1
6B	62464001	10-32 Screw	1
6C	59518001	Four Arm Handle	1
7	G63367	Mounting Hardware	1
7A	60549001	Gasket	1
7B	61613019	Lockwasher	1
7C	59530002	Mounting Nut	1
7D	59532001	1/2" NPSM Riser Nut	1

ZURN INDUSTRIES, LLC ♦ COMMERCIAL BRASS OPERATION ♦ 2640 SOUTH WORK STREET ♦ FALCONER NY 14733

Phone: 1-800-997-3876 ♦ Fax: 1-919-775-3541 ♦ www.zurn.com

In Canada: ZURN INDUSTRIES LIMITED ♦ 3544 Nashua Drive ♦ Mississauga, Ontario L4V1L2 ♦ Phone: 905/405-8272 Fax: 905/405-1292