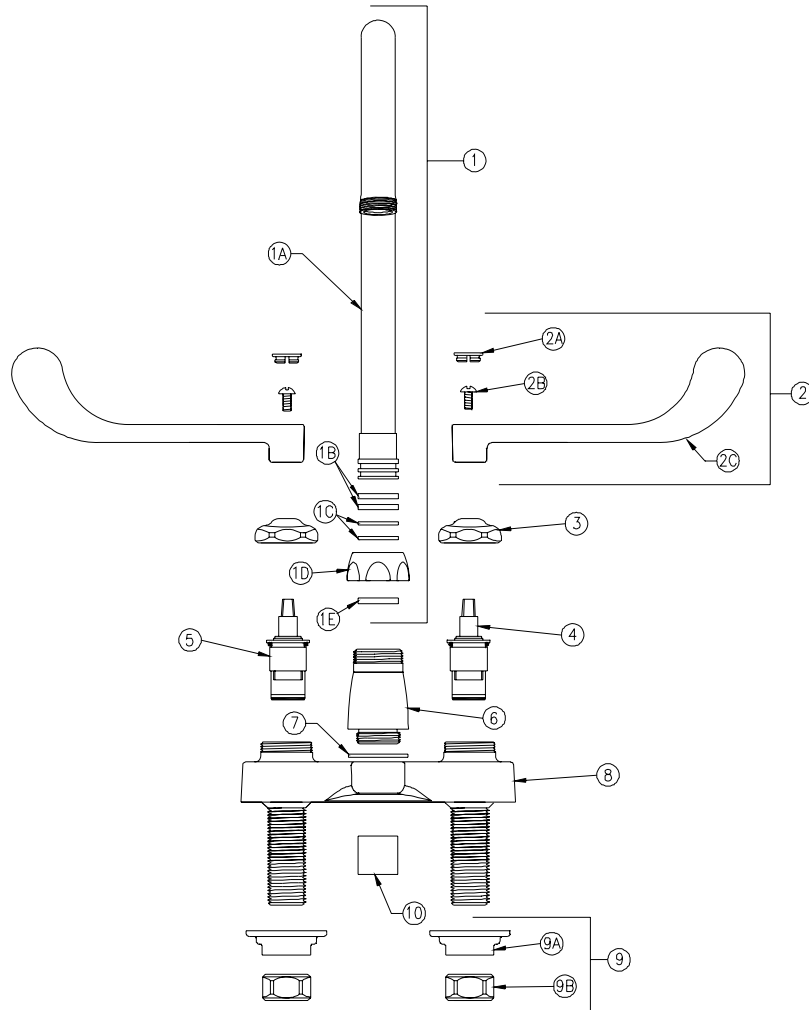


# 4" CENTERSET GOOSENECK



## Z812B6-XL Parts List



Item	Part Number	Description	Qty.
1	<a href="#">G67852</a>	5-3/8" Centerline Gooseneck 'B' Spout Assembly	1
1A	92866002	5-3/8" Centerline Gooseneck Spout	1
1B	<a href="#">58155018</a>	O-Rings	2
1C	<a href="#">59666001</a>	Plastic Split Washers (Swing)	2
1D	<a href="#">59435001</a>	Spout Nut	1
1E	<a href="#">59436001</a>	Spacer Washer (Rigid)	1
2	G60508	6" [152mm] Vandal-Resistant Metal Wrist Blade Handles	1
2A	G60500	Hot/Cold Color-Coded Indexes	1
	<a href="#">59454001</a>	Hot Index	1
	<a href="#">59454002</a>	Cold Index	1
2B	<a href="#">62464001</a>	10-32 Screw	2
2C	59453002	Wrist Blade Handle	2
3	<a href="#">59440001</a>	Handle Nut	2
4	<a href="#">59517005</a>	Short Cold Cartridge	1
5	<a href="#">59517006</a>	Short Hot Cartridge	1
6	<a href="#">60467005</a>	Base	1
7	58155019	O-Ring	1
8	<a href="#">60454004</a>	4" Centerset Gooseneck Body	1
9	G60502	Mounting Hardware	1
9A	59530002	Mounting Nut	2
9B	59532001	1/2" NPSM Riser Nut	2
10	G63504	3/4"-27 Female Aerator - 2.2 GPM [8.3 L]	1

ZURN INDUSTRIES, LLC ♦ COMMERCIAL BRASS OPERATION ♦ 2640 SOUTH WORK STREET ♦ FALCONER NY 14733

Phone: 1-800-997-3876 ♦ Fax: 1-919-775-3541 ♦ www.zurn.com

In Canada: ZURN INDUSTRIES LIMITED ♦ 3544 Nashua Drive ♦ Mississauga, Ontario L4V1L2 ♦ Phone: 905/405-8272 Fax: 905/405-1292