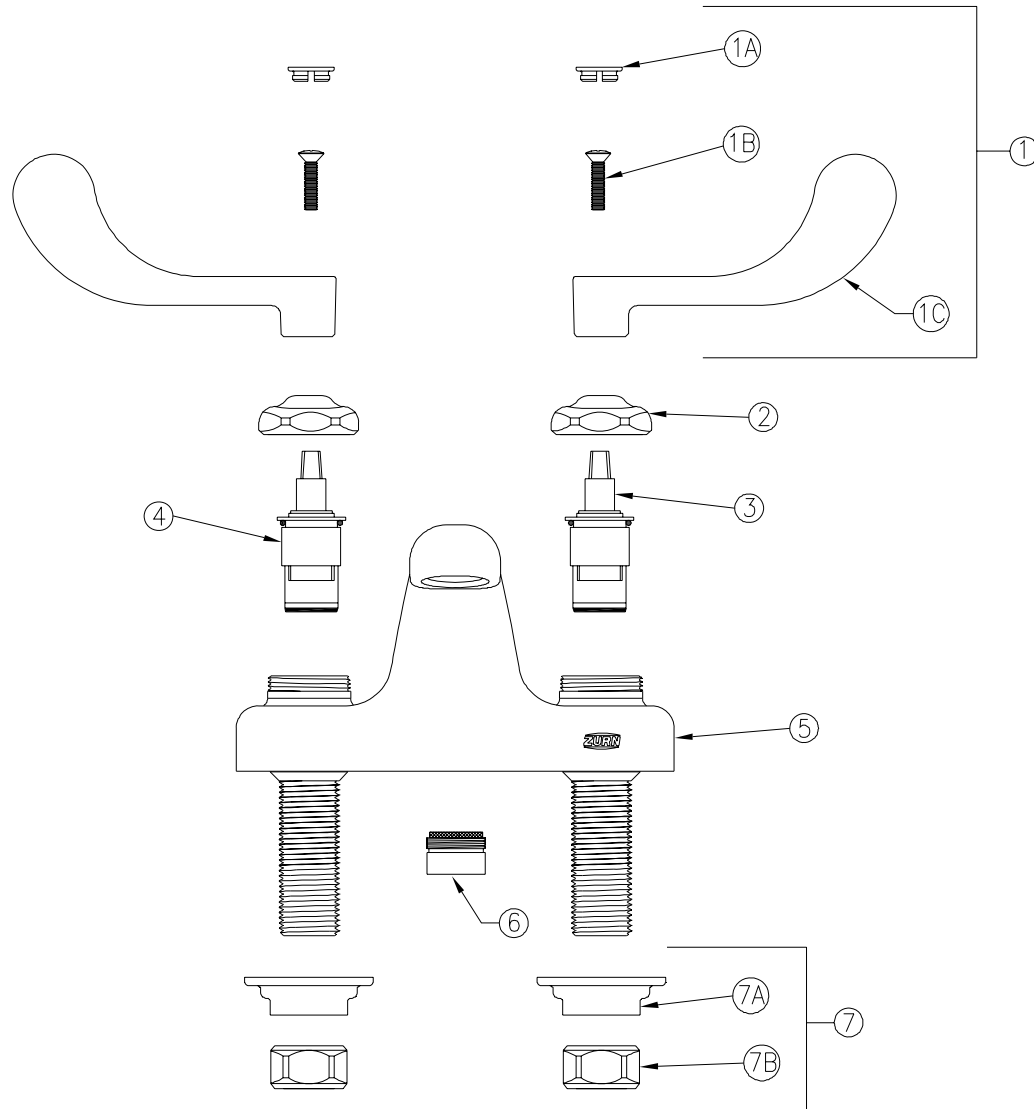


4" CENTERSET

Z81104-XL Parts List



Item	Part Number	Description	Qty.
1	G60504	4" [102mm] Vandal-Resistant Metal Wrist Blade Handles	1
1A	G60500	Hot/Cold Color-Coded Indexes	1
	59454001	Hot Index	1
	59454002	Cold Index	1
1B	62464001	10-32 Screw	2
1C	59453001	4" Wrist Blade Handle	2
2	59440001	Handle Nut	2
3	59517005	Short Cold Cartridge XL	1
4	59517006	Short Hot Cartridge XL	1
5	92950003	4" Centerset Body XL	1
6	G63505	13/16"-27 Male Aerator - 2.2 GPM [8.3 L]	1
7	G60502	Mounting Hardware	1
7A	59530002	Mounting Nut	2
7B	59532001	1/2" NPSM Riser Nut	2

ZURN INDUSTRIES, LLC ♦ COMMERCIAL BRASS OPERATION ♦ 2640 SOUTH WORK STREET ♦ FALCONER NY 14733

Phone: 1-800-997-3876 ♦ Fax: 1-919-775-3541 ♦ www.zurn.com

In Canada: ZURN INDUSTRIES LIMITED ♦ 3544 Nashua Drive ♦ Mississauga, Ontario L4V1L2 ♦ Phone: 905/405-8272 Fax: 905/405-1292