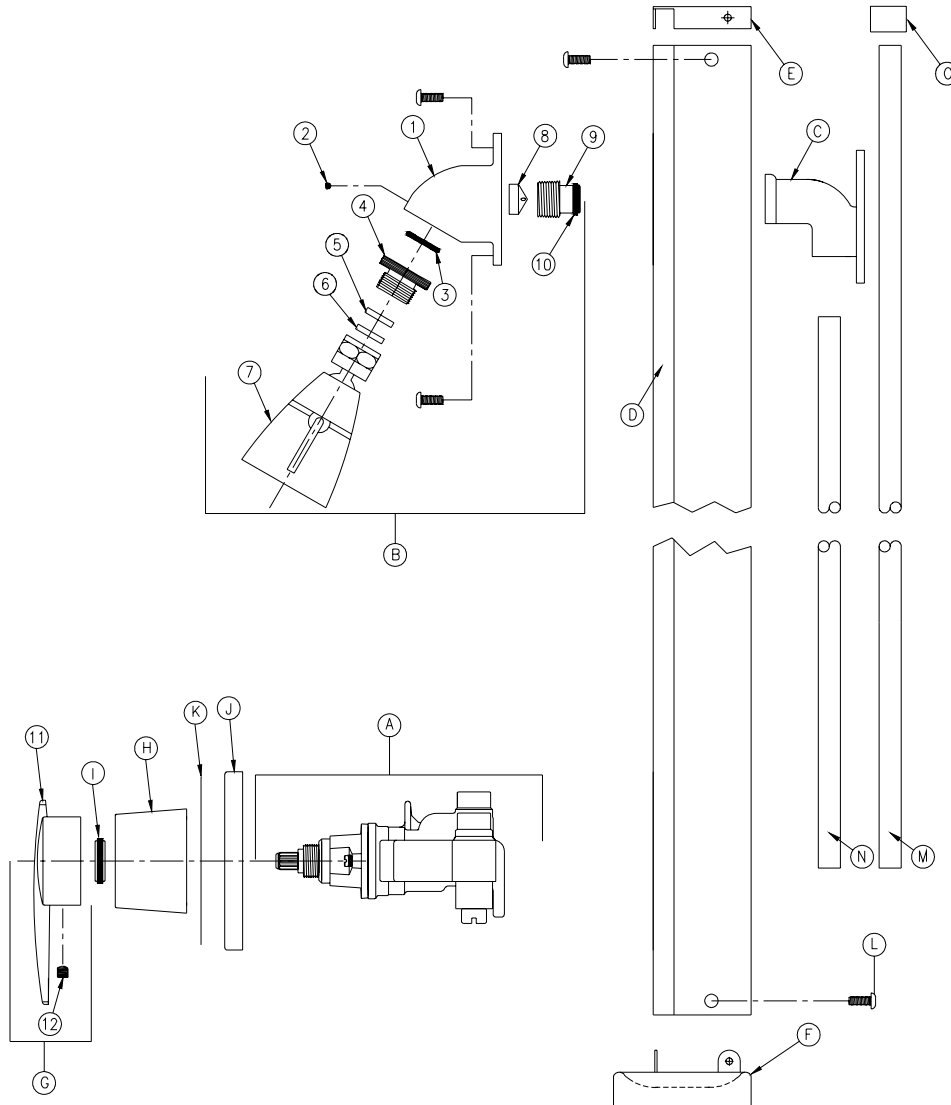


AQUA-PANEL SHOWER UNIT



Z7500 Parts List



| Item | Part Number | Description | Qty. | Item | Part Number | Description | Qty. |
|------|----------------|--|------|------|--------------|-----------------------|------|
| A | 7500-100 | Aqua Panel Valve Ass'y- 3 Port Shower Valve with Service Stops | 1 | C | 7500-17-010F | Wall Mounting Bracket | 1 |
| B | Z7000-i6-AQ | Institutional Wall Mount w/ Standard Shower Head | 1 | D | 7500-8 | Main Cover Shroud | 1 |
| 1 | 7089-1CH | Institutional Body Mount | 1 | E | 7500-8D | End Cap | 1 |
| 2 | 7000-11V | Set Screw | 1 | F | 7500-93 | Soap Dish | 1 |
| 3 | 114N | O-Ring | 1 | G | Z7000-LH | Lever Handle Assembly | 1 |
| 4 | 7500-29 | Outlet Adaptor | 1 | 11 | 7000-6F | Stem Handle | 1 |
| 5 | 52-12 | Seat Washer | 1 | 12 | 7000-11G | Stem Handle Set Screw | 1 |
| 6 | Z7000-FC-2.5 | Flow Control (2.5GPM) | 1 | H | 7500-81 | Primary Escutcheon | 1 |
| 7 | Z7000-S6-VP-NF | Small Shower Head w/ w/ Volume Control | 1 | I | 7500-9 | Escutcheon Nut | 1 |
| 8 | 7000-12E | Flow Control Washer | 1 | J | 7500-81H | Dial Plate Escutcheon | 1 |
| 9 | 7500-19 | Inlet Adaptor | 1 | K | T7500 | Dial Plate Tag | 1 |
| 10 | 4013N | Quad Ring | 1 | L | 7500-11AV | Screw | 13 |
| | | | | M | 7500-21 | Pipe Inlet | 2 |
| | | | | N | 7500-21B | Pipe Outlet | 1 |
| | | | | O | 801-3 | Pipe Cap | 2 |

ZURN INDUSTRIES, LLC ♦ COMMERCIAL BRASS OPERATION ♦ 2640 SOUTH WORK STREET ♦ FALCONER NY 14733

Phone: 1-800-997-3876 ♦ Fax: 1-919-775-3541 ♦ www.zurn.com

In Canada: ZURN INDUSTRIES LIMITED ♦ 3544 Nashua Drive ♦ Mississauga, Ontario L4V1L2 ♦ Phone: 905/405-8272 Fax: 905/405-1292