



AquaVantage® AV®

Penal Series

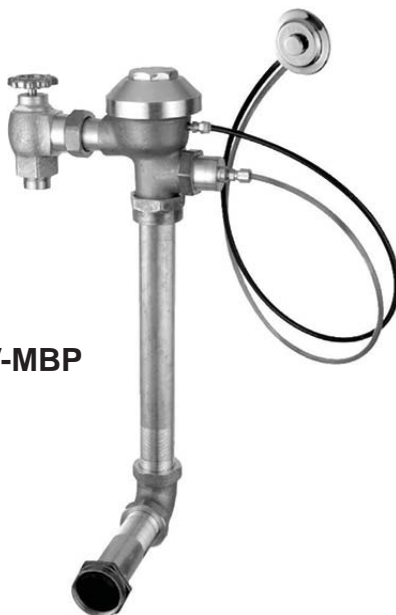
Hydraulic-Operated,
Concealed and Exposed Flush Valve

Part Identification Guide

Patented and Patents Pending



Z6606AV



ZH6611AV-MBP



Z6603AV

Exposed Penal Systems

- Z6606AV
- Z6610AV
- Z6614AV

Hydraulic-Operated Penal Systems

- ZH6603AV-MBP
- ZH6606AV-MBP
- ZH6609AV-MBP
- ZH6611AV-MBP
- ZH6613AV-MBP

Concealed Penal Systems

- Z6601AV
- Z6603AV
- Z6609AV
- Z6611AV
- Z6613AV
- Z6621AV
- Z6681AV

NOTICE: READ ENTIRE MANUAL PRIOR TO INSTALLING PRODUCT.

⚠ WARNING: Cancer and Reproductive Harm - www.P65Warnings.ca.gov

⚠ ADVERTENCIA: Cáncer y daño reproductivo - www.P65Warnings.ca.gov

⚠ AVERTISSEMENT: Cancer et effets néfastes sur la reproduction - www.P65Warnings.ca.gov

LIMITED WARRANTY

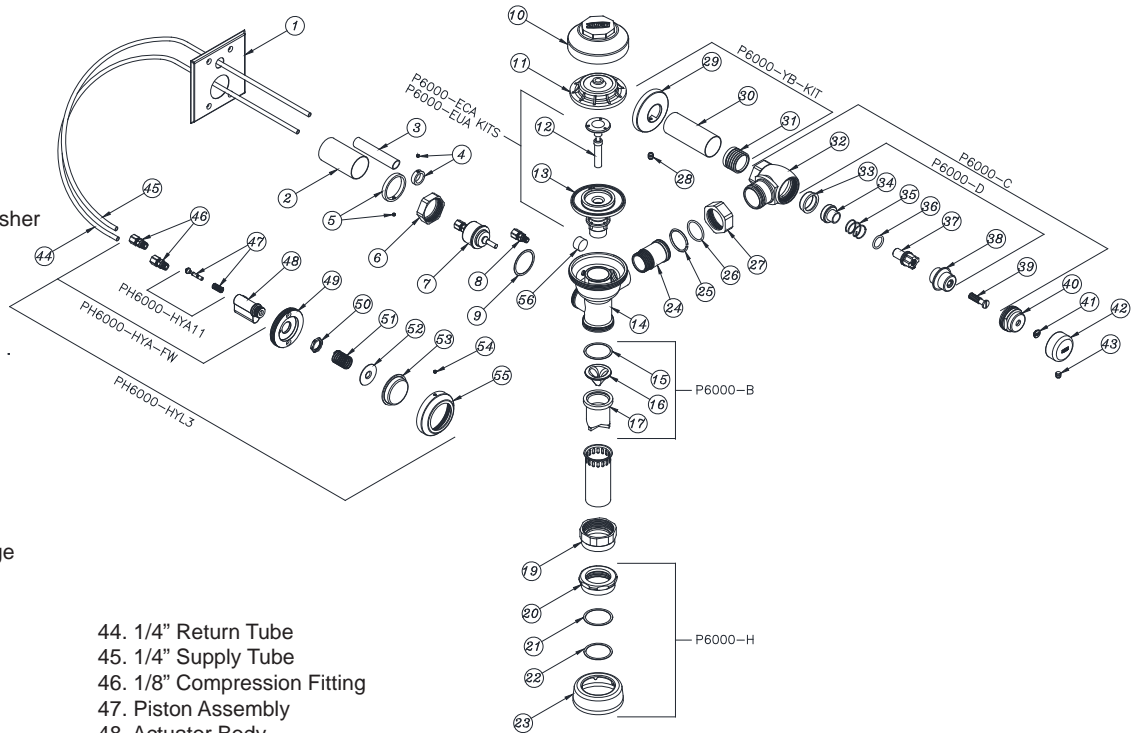
All goods sold hereunder are warranted to be free from defects in material and factory workmanship for a period of three years from the date of purchase. Decorative finishes warranted for one year. We will replace at no costs goods that prove defective provided we are notified in writing of such defect and the goods are returned to us prepaid at Sanford, NC, with evidence that they have been properly maintained and used in accordance with instructions. We shall not be responsible for any labor charges or any loss, injury or damages whatsoever, including incidental or consequential damages. The sole and exclusive remedy shall be limited to the replacement of the defective goods. Before installation and use, the purchaser shall determine the suitability of the product for his intended use and the purchaser assume all risk and liability whatever in connection therewith. Where permitted by law, the implied warranty of merchantability is expressly excluded. If the products sold hereunder are "consumer products," the implied warranty of merchantability is limited to a period of three years and shall be limited solely to the replacement of the defective goods. All weights stated in our catalogs and listed are approximate and are not guaranteed.

NOTE: The information in this manual is subject to change at any time without notice. Installations may be performed at different times of construction by different individuals. For this reason, these instructions should be left on-site with the facility or maintenance manager.

AquaVantage® Hydraulic-Operated Repair Kits

Parts Identification

1. Chrome Cover Plate
2. Return Cover Tube
3. Supply Cover Tube
4. Cover Tube Ring with Setscrew
5. Cover Tube Ring with Setscrew
6. Handle Nut
7. Hydraulic Plunger Assembly
8. 1/16" Compression Fitting
9. Gasket
10. Valve Body Cover
11. Plastic Cover
12. Trip Mechanism
13. Diaphragm Repair Kit
14. Valve Body
15. Vacuum Breaker Friction Washer
16. Vacuum Breaker Insert
17. Vacuum Breaker Duckbill
18. Vacuum Breaker Tube
19. Vacuum Breaker Tube Nut
20. Spud Nut
21. Spud Friction Washer
22. Spud Sleeve
23. Spud Escutcheon
24. Tailpiece
25. Snap Ring
26. Tailpiece O-Ring
27. Locking Nut
28. Setscrew for Cast Wall Flange
29. Cast Wall Escutcheon
30. Supply Cover Tube
31. Sweat Solder Adaptor
32. Stop Body
33. Piston Seal
34. Piston
35. Stop Spring
36. Guide O-Ring
37. Piston Guide
38. Guide Holder
39. Adjusting Screw
40. Stop Cap
41. Snap Cap Screw Cover
42. Vandal-Resistant Control Stop Cover
43. Setscrew for Control Stop Cover
44. 1/4" Return Tube
45. 1/4" Supply Tube
46. 1/8" Compression Fitting
47. Piston Assembly
48. Actuator Body
49. Mounting Plate
50. Securing Nut
51. Spring for Large Push Button
52. Spacer for Large Push Button
53. Large Push Button
54. Escutcheon Setscrew
55. Escutcheon for Large Push Button
56. Filter



Covers and Repair Kits	Product No.
Outside Cover – CP – Item 10	P6000-LL
Inside Cover – Item 11	P6000-L
Low Consumption Closet Kit – 1.6 gal. flush	P6000-ECA-WS1
Water Saving Closet Kit – 3.5 gal. flush	P6000-ECA-WS
Full Flow Closet Kit – 4.5 gal. flush	P6000-ECA-FF
Low Consumption Urinal Kit – 1.0 gal. flush	P6000-EUA-WS1
Water Saving Urinal Kit – 1.5 gal. flush	P6000-EUA-WS
Full Flush Urinal Kit – 3.0 gal. flush	P6000-EUA-FF

Parts – Inside Parts	Product No.
Urinal Relief Valve – Item 12 P6000-EU13	
Closet Relief Valve – Item 12 P6000-EC13	

Handle Assembly and Repair Kits	Product No.
Hydraulic Large Push Button Assembly, Fixture Wall	PH6000-HYL3-FW
Hydraulic Large Push Button Assembly, Side Wall	PH6000-SHYL3-SW
Hydraulic Metal Push Button Assembly	PH6000-HYL-MBP
Hydraulic Metal Push Button Assembly for Penal Use	PH6000-HYLP-MBP
Repair Kit for Hydraulic Actuator	PH6000-HYA11

Control Stop Repair Kit and Parts	Product No.
Control Stop Repair Kit for 1" and 3/4", Includes Items 33-39	P6000-D-SD
Seal Seat for 1" and 3/4", Includes Item 33	P6000-D42
VP Control Stop Repair Kit for 1" and 3/4", Includes Items 33-39	P6000-D-VP
Sweat Solder Connection with Cast Wall Flange, Includes Items 29-31	P6000-YB

Adjustable Tailpieces	Product No.
Adjustable Tailpiece for Standard Flush Valve, Includes Items 24-26	P6000-J1
Tailpiece Coupling Assembly, Includes Items 25-27	P6000-K
Tailpiece Locking Ring, Includes Item 25	P6000-C30
Tailpiece O-Ring, Includes Item 26	P6000-C31
Coupling Nut, Includes Item 27	P6000-C32

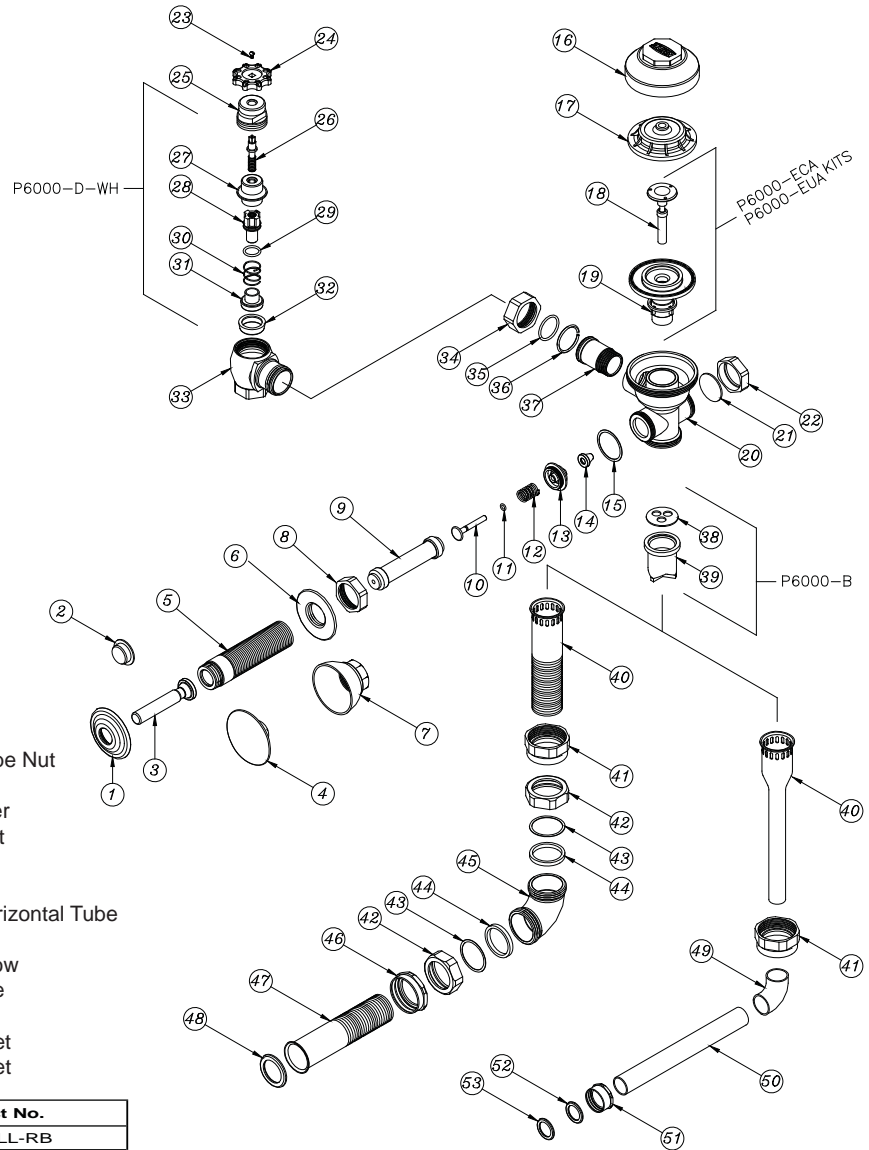
Flush Connections and Spud Coupling Kits	Product No.
Flush Tube Assembly for Flush Valves, Includes Items 15-19. Specify diameter and length.	P6000-A
Vacuum Breaker Repair Kit, Includes Items 15-17	P6000-B
Spud Coupling Assembly, Includes Items 20-23. Specify size.	P6000-H

Note: See AquaVantage Hydraulic Flush Valve Section for Installation Instructions, FV241.

AquaVantage® Concealed Repair Kits

Parts Identification

1. Wall Escutcheon
2. Optional 1" Metal Push Button
3. Handle
4. Optional 3" Metal Push Button
5. Sleeve/Socket
6. Adjusting Nut
7. Optional Bell Nut
8. Handle Nut
9. Push Rod/Filler Rod
10. Actuator Rod
11. Handle O-Ring
12. Handle Spring
13. Handle Seal Retainer
14. Handle Seal
15. Gasket
16. Valve Body Cover
17. Plastic Cover
18. Trip Mechanism
19. Diaphragm Kit
20. Valve Body
21. Solid Gasket
22. Solid Handle Nut
23. Wheel Handle Screw
24. Wheel Handle
25. Stop Cap
26. Adjusting Screw
27. Guide Holder
28. Piston Guide
29. Guide O-Ring
30. Stop Spring
31. Piston
32. Piston Seal
33. Stop Body
34. Locking Nut
35. Tailpiece O-Ring
36. Snap Ring
37. Tailpiece
38. Vacuum Breaker Insert
39. Vacuum Breaker Duckbill
40. Vacuum Breaker Tube
41. Vacuum Breaker Tube Nut
42. Coupling Nut
43. Spud Friction Washer
44. Spud Rubber Gasket
45. 90 Degree Elbow
46. Spud Nut
47. Flanged/Scored Horizontal Tube
48. P30 Flat Gasket
49. 3/4" 90 Degree Elbow
50. 3/4" Horizontal Tube
51. 3/4" Spud Nut
52. Spud Friction Gasket
53. Spud Rubber Gasket



Covers and Repair Kits	Product No.
Outside Cover - RB - Item 16	P6000-LL-RB
Inside Cover - Item 17	P6000-L
Low Consumption Closet Kit - 1.6 gal. flush	P6000-EC-WS1
Water Saving Closet Kit - 3.5 gal. flush	P6000-EC-WS
Full Flow Closet Kit - 4.5 gal. flush	P6000-EC-FF
Low Consumption Urinal Kit - 1.0 gal. flush	P6000-EU-WS1
Water Saving Urinal Kit - 1.5 gal flush	P6000-EU-WS
Full Flush Urinal Kit - 3.0 gal. flush	P6000-EU-FF

Repair Parts - Inside Parts	Product No.
Urinal Relief Valve - Item 18	P6000-EU13
Closet Relief Valve - Item 18	P6000-EC13

Aquaflush Rebuild Kits	Product No.
Closet and Urinal Rebuild Kits Include Items 10-15, 18, 19, 35, 38, 39	P6000-ECA-WS-RK P6000-ECA-WS1-RK P6000-EUA-WS-RK P6000-EUA-WS1-RK

Handle Assembly and Repair Kits	Product No.
Concealed Valve Actuator (Spec. Type and 'L' Dim.)	P6000-N- P6000-NL- P6000-NL3-
Handle Repair Kit Includes Items 10-15	P6000-NK
Handle Seal Includes Item 14	P6000-M9
Handle Gasket Includes Item 15	P6000-M10

Control Stop Repair Kit and Parts	Product No.
Control Stop Repair Kit for 1" and 3/4", Includes Items 26-32	P6000-D-SD
Seal Seat for 1" and 3/4", Includes Item 26	P6000-D42
Sweat Solder Connection	P6000-YBA

Adjustable Tailpieces	Product No.
Adjustable Tailpiece for Standard Flush Valve	P6000-J1-RB
Includes Items 28-31	
Tailpiece Locking Ring Includes Item 29	P6000-C30
Tailpiece O-Ring Includes Items 30	P6000-C31
Coupling Nut Includes Item 31	P6000-C32-RB

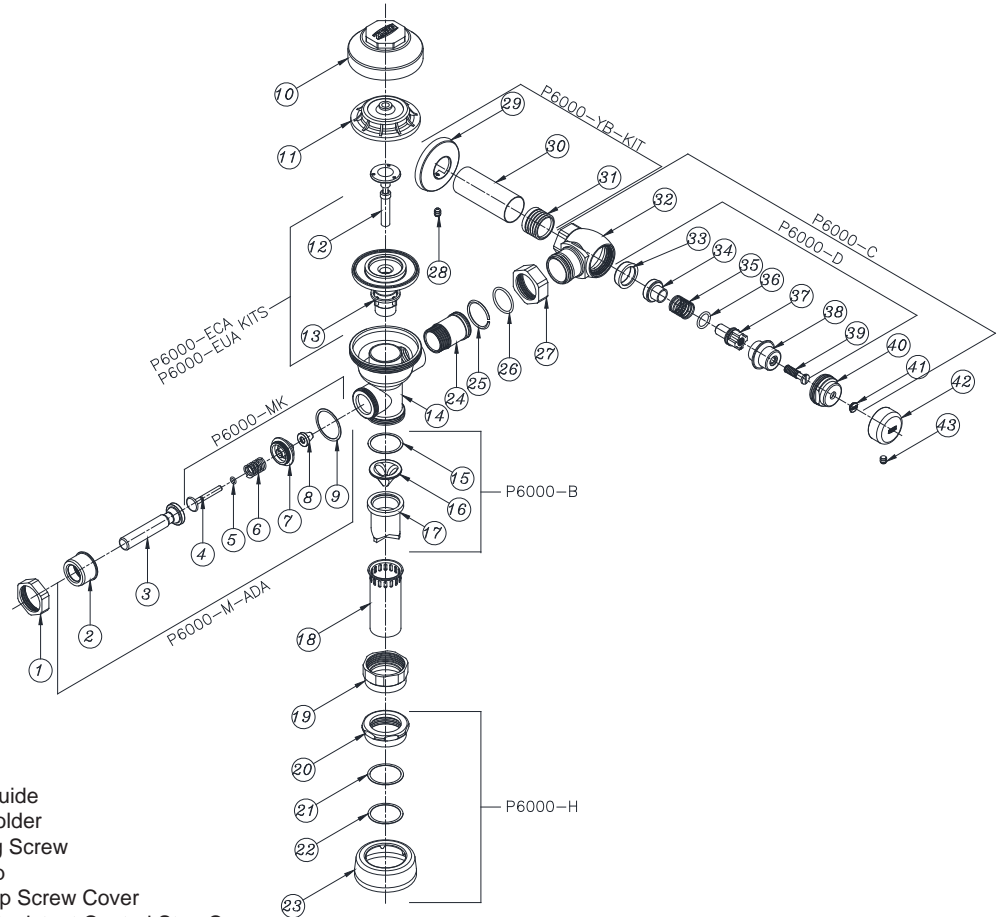
Flush Connections and Spud Coupling Kits	Product No.
Flush Tube Assembly for Concealed Flush Valves	P6000-Q_ _-
Refer to Section Q in Aqua Parts Guide	
Specify 'L' Dim. and Valve Used	
Vacuum Breaker Repair Kit Includes Items 19-21	P6000-B
Spud Coupling Assembly (Specify Size)	P6000-HN

Note: See AquaVantage Manual Flush Valve Section for Installation Instructions, FV212.

AquaVantage® Exposed Repair Kits

Parts Identification

1. Handle Nut
2. Handle Sleeve and Insert
3. Low Force/ADA Compliant Handle
4. Actuator Rod
5. Handle O-Ring
6. Handle Spring
7. Handle Retainer
8. Handle Seal Retainer
9. Gasket
10. Valve Body Cover
11. Plastic Cover
12. Trip Mechanism
13. Diaphragm Repair Kit
14. Valve Body
15. Vacuum Breaker Friction Washer
16. Vacuum Breaker Insert
17. Vacuum Breaker Duckbill
18. Vacuum Breaker Tube
19. Vacuum Breaker Tube Nut
20. Spud Nut
21. Spud Friction Washer
22. Spud Sleeve
23. Spud Escutcheon
24. Tailpiece
25. Snap Ring
26. Tailpiece O-Ring
27. Locking Nut
28. Setscrew for Cast Wall Flange
29. Cast Wall Escutcheon
30. Supply Cover Tube
31. Sweat Solder Adapter
32. Stop Body
33. Piston Seal
34. Piston
35. Stop Spring
36. Guide O-Ring
37. Piston Guide
38. Guide Holder
39. Adjusting Screw
40. Stop Cap
41. Snap Cap Screw Cover
42. Vandal-Resistant Control Stop Cover
43. Setscrew for Control Stop Cover



Covers and Repair Kits	Product No.
Outside Cover - CP - Item 10	P6000-LL
Inside Cover - Item 11	P6000-L
Low Consumption Closet Kit - 1.6 gal. flush	P6000-ECA-WS1
Water Saving Closet Kit - 3.5 gal. flush	P6000-ECA-WS
Full Flow Closet Kit - 4.5 gal. flush	P6000-ECA-FF
Low Consumption Urinal Kit - 1.0 gal. flush	P6000-EUA-WS1
Water Saving Urinal Kit - 1.5 gal. flush	P6000-EUA-WS
Full Flush Urinal Kit - 3.0 gal. flush	P6000-EUA-FF

Repair Parts - Inside Parts	Product No.
Urinal Relief Valve - Item 12	P6000-EU13
Closet Relief Valve - Item 12	P6000-EC13
AquaVantage Rebuild Kits	Product No.
Closet and Urinal Rebuild Kits Include Items 4-9, 12, 13, 15-17, 26	P6000-ECA-WS-RK
	P6000-ECA-WS1-RK
	P6000-EUA-WS-RK
	P6000-EUA-WS1-RK

Handle Assembly and Repair Kits	Product No.
ADA Handle Assembly (Side), Includes Items 2-9	P6000-M-ADA
Handle Repair Kit (Side), Includes Items 4-9	P6000-MK
Handle Seal, Includes Item 8	P6000-M9
Handle Gasket, Includes Item 9	P6000-M10
Repair Kit for Front Operation - Exposed, Includes Items 4-9	P6000-MHK
Handle Assembly (Front), Includes Items 2-9	P6000-MH

Control Stop Repair Kit and Parts	Product No.
Control Stop Repair Kit for 1" and 3/4", Includes Items 33-39	P6000-D-SD
Seal Seat for 1" and 3/4", Includes Item 33	P6000-D42
VP Control Stop Repair Kit for 1" and 3/4", Includes Items 33-39	P6000-D-VP
Sweat Solder Connection with Cast Wall Flange, Includes Items 29-31	P6000-YB

Adjustable Tailpieces	Product No.
Adjustable Tailpiece for Standard Flush Valve, Includes Items 24-26	P6000-J1
Tailpiece Coupling Assembly, Includes Items 25-27	P6000-K
Tailpiece Locking Ring, Includes Item 25	P6000-C30
Tailpiece O-Ring, Includes Item 26	P6000-C31
Coupling Nut, Includes Item 27	P6000-C32

Flush Connections and Spud Coupling Kits	Product No.
Flush Tube Assembly for Flush Valves, Includes Items 15-19. Specify diameter and length.	P6000-A
Vacuum Breaker Repair Kit, Includes Items 15-17	P6000-B
Spud Coupling Assembly, Includes Items 20-23. Specify size.	P6000-H

Note: See AquaVantage Manual Flush Valve Section for Installation Instructions, FV211.