

## MODELS

Z5615, Z5616, Z5617 Series

# FLOOR MOUNTED BOTTOM OUTLET WATER CLOSET INSTALLATION INSTRUCTIONS



## RECOMMENDED INSTALLATION TOOLS AND SUPPLIES

- Carrier Support
- Tape Measure
- Ink Marker or Pencil
- Adjustable Wrench
- Screwdriver
- Wax Ring Gasket
- Hacksaw
- Setting Compound
- Level
- Drop Cloth
- Scraper/Putty Knife
- Large Sponge
- Basin or Bucket
- Safety Glasses

## STEP 1 - REMOVE OLD TOILET (FOR RETROFIT ONLY)

1. Turn off the water supply, then flush. Use a sponge & basin to soak up any water left in the bowl.
2. Disconnect the flush valve.
3. Remove nuts that secure the toilet to the carrier.
4. Use a rocking motion to remove the old toilet from the floor.
5. Scrape the old gasket from the coupling.

## STEP 2 - INSTALL BACKUP NUT AND WASHERS

1. Thread a backup nut and bearing washer onto each 5/8" [16mm] rod.
2. Adjust hardware and maintain 1/16" [2mm] in front of the finished wall.
3. All bearing washers must be in the same plane to support the fixture and prevent cracking.

## STEP 3 - INSTALL NEO-SEAL GASKET

1. Peel off the removable backing from one side of the Neo-Seal Gasket and seat into the groove of the water closet outlet horn.
2. Peel off removable backing liner from the opposite side of the gasket and hang the water closet onto the threaded rods. Ensure Neo-Seal gasket seals to the coupling.

## STEP 4 - SET THE BOWL

**WARNING: Breaking or chipping of china may result in physical injury.**

1. Carefully hang the toilet so the threaded rods will protrude through holes in bowl base (Two-person handling is recommended to prevent injury).
2. Ensure Proper gasket seal between the bowl and carrier.
3. Assemble a fiber washer and cap nut onto each rod and hand tighten. Secure closet with an additional half-turn using a wrench on each nut to complete the installation.
4. **DO NOT OVERTIGHTEN** as it may result in breaking or chipping of china.

## STEP 5 - INSTALL FLUSH VALVE AND TOILET SEAT

1. Install manual or sensor flush valve onto spud according to the manufacturer's instructions.
2. Install toilet seat to the toilet bowl using included mounting bolts. If using an extra heavy duty plastic seat, install with the self-sustaining feature and check hinges to avoid damage to the rim of the bowl from slamming of seat onto china.

## CARE AND CLEANING INSTRUCTIONS

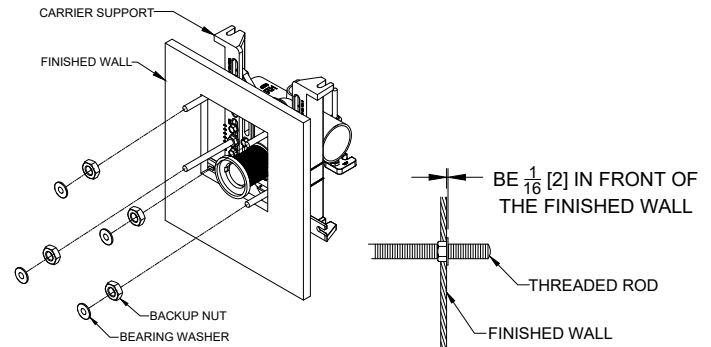
Zurn's vitreous china products are finished with a glaze that is nonporous, acid-resistant, scratch-resistant and sanitary. The glossy luster will last for years without discoloring, fading, or staining if the proper cleaning methods described below are followed.

**Bowl:** Use TOILET BOWL CLEANERS THAT ARE APPLIED TO THE TOILET BOWL and a nylon brush when necessary. Use of a metal brush will create metal marks in the bowl. To remove metal marks in the bowl, we recommend a household cleaner which contains oxalic acid, such as BarKeeper's Friend® or Zud® and a nylon brush.

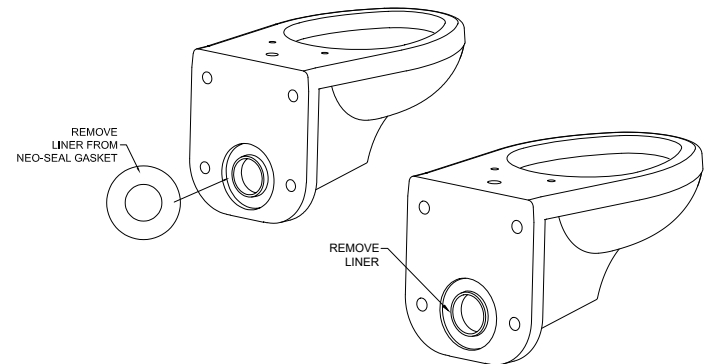
**China Surface Areas:** Everyday cleaning of Zurn china products may be accomplished by using an antibacterial liquid dishwashing soap and water. Rinse thoroughly with plenty of water and dry the fixture. To remove lime build-up, KRC-7® liquid cleaner may be used. Read and follow all label directions.

**Toilet Seat:** Some of the newer detergents and household bathroom cleansers have a damaging affect on seat materials. We suggest that to keep your toilet seat sparkling clean and new-looking, use only mild soap and water for cleaning. Thoroughly rinse the cleaned surface with plenty of water and then dry the surface. Cleaners containing silica or sand will be abrasive and should not be used.

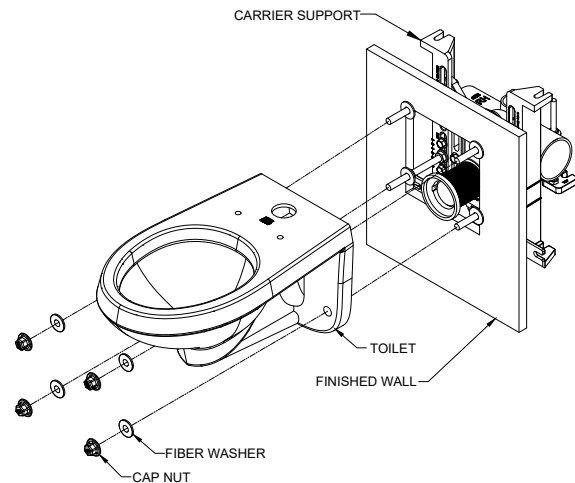
## STEP 2



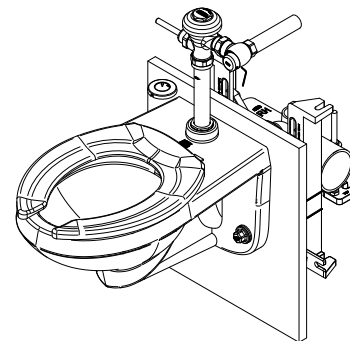
## STEP 3



## STEP 4



## STEP 5



For Retrofit bowl replacement use of Z5410-NUT-EXT-KIT is recommended.