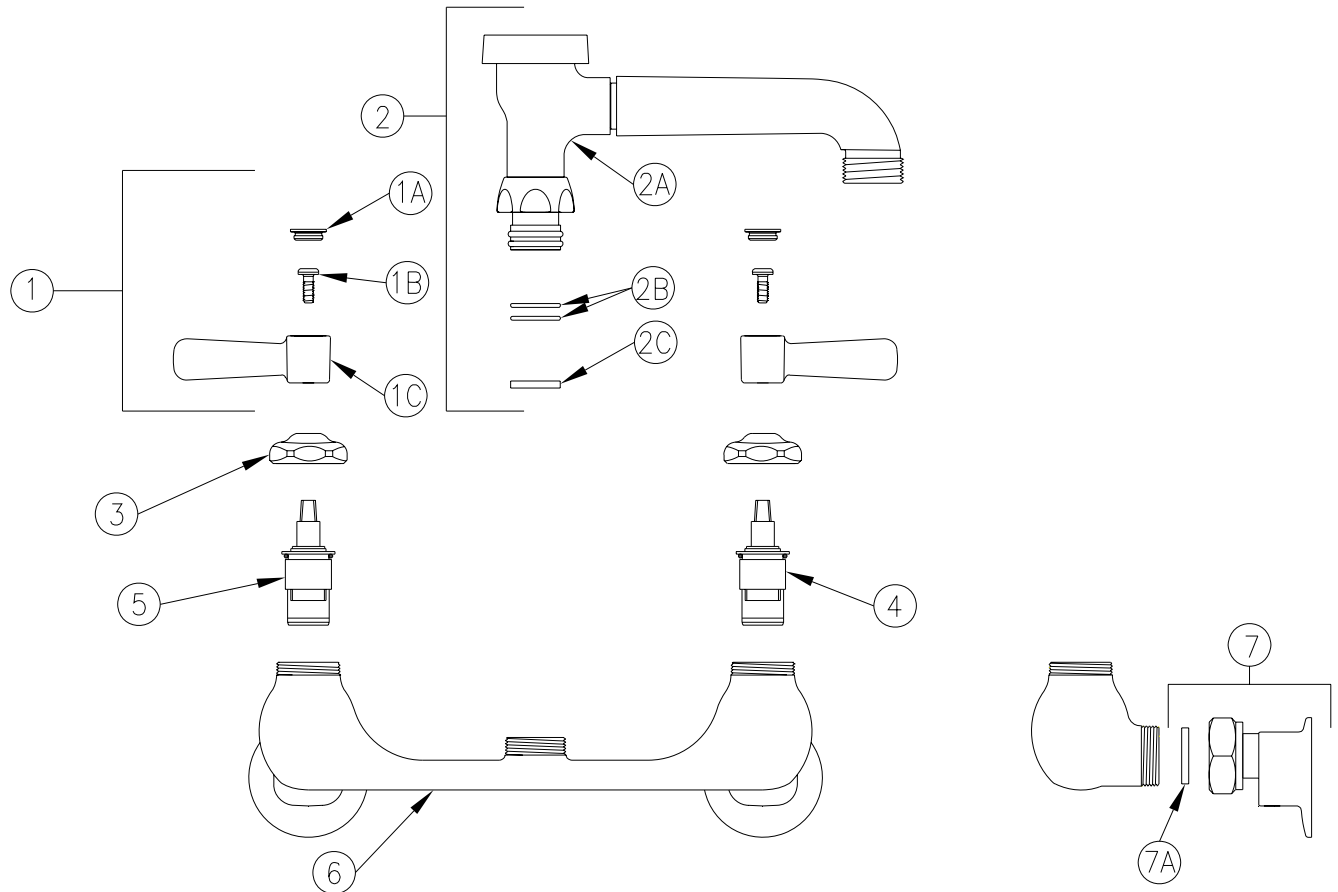


# SINK FAUCET

## Z842N1 Parts List



Item	Part Number	Description	Qty.
1	G60501	2-1/2" [64mm] Vandal-Resistant Metal Lever Handles	1
1A	G60500	Hot/Cold Color-Coded Indexes	1
	59454001	Hot Index	1
	59454002	Cold Index	1
1B	62464001	10-32 Screw	2
1C	59487001	Lever Handle	2
2	G60556	"N" Vacuum Breaker Spout Ass'y Less Hook - PC	1
2A	60864005	"N" 6" Cast Vacuum Breaker Spout S/A	1
2B	58155018	O-Ring	2
2C	59436001	Spacer Washer	1
3	59440001	Handle Nut	2
4	59517001	Short Cold Cartridge	1
5	59517002	Short Hot Cartridge	1
6	59463001	Sink Body	1
7	G65336	Short Supply Arm Ass'y.	2
7A	59748001	Gasket	2

ZURN INDUSTRIES, INC. ♦ COMMERCIAL BRASS OPERATION ♦ 2640 SOUTH WORK STREET ♦ FALCONER NY 14733

Phone: 1-716-665-1132 ♦ Fax: 1-716-665-1135 ♦ World Wide Web: [www.zurn.com](http://www.zurn.com)

In Canada: ZURN INDUSTRIES LIMITED ♦ 3544 Nashua Drive ♦ Mississauga, Ontario L4V1L2 ♦ Phone: 905/405-8272 Fax: 905/405-1292