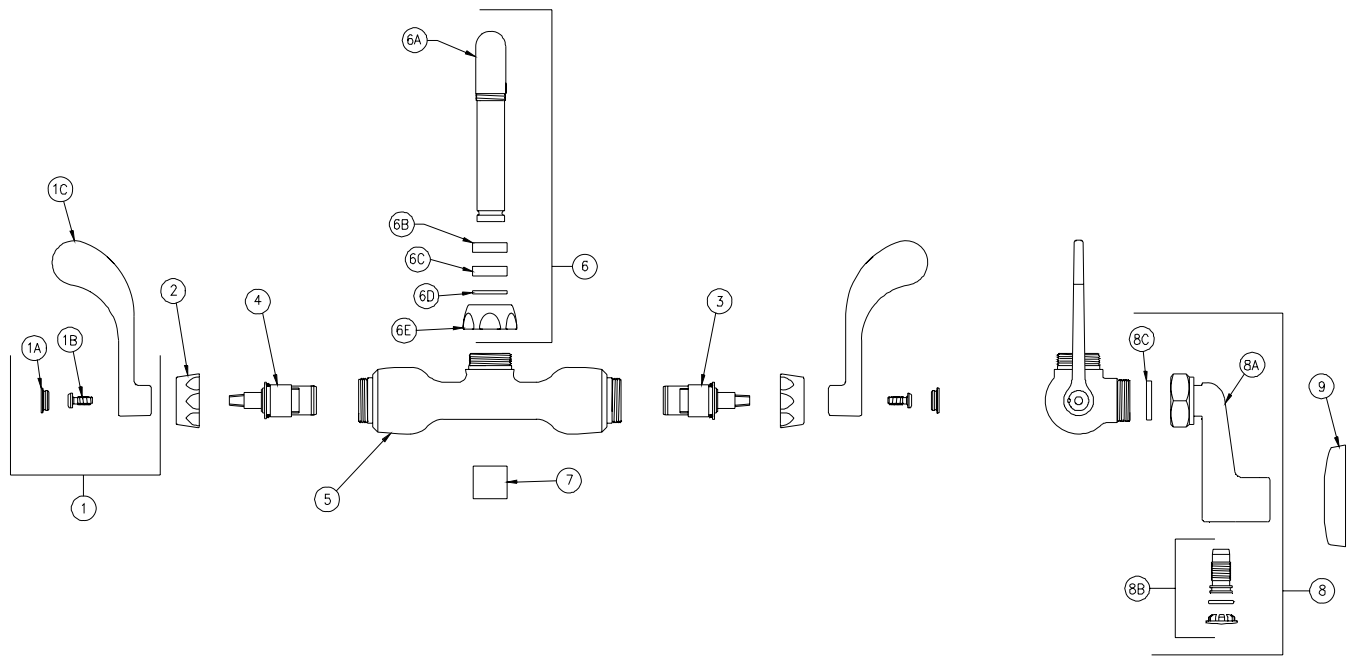


SERVICE SINK FAUCET



Z841I4-XL Parts List



Item	Part Number	Description	Qty.
1	G60504	4" [102mm] Vandal-Resistant Metal Wrist Blade Handles	1
1A	G60500	Hot/Cold Color-Coded Indexes	1
	59454001	Hot Index	1
	59454002	Cold Index	1
1B	62464001	10-32 Screw	2
1C	59453001	Wrist Blade Handle	2
2	59523001	Handle Nut	2
3	59517006	Short Hot Cartridge	1
4	59517005	Short Cold Cartridge	1
5	59464005	Body	1
6	G67893	14" Tubular Swing 'I' Spout Assembly	1
6A	92957001	14" Swing Spout	1
6B	59441001	Bearing Washer	1
6C	59459001	Spout Seal	1
6D	92937001	Retaining Ring	1
6E	59435001	Spout Nut	1
7	G63504	3/4"-27 Female Aerator	1
8	G67875	Long Supply Arm and Integral Stop Assembly	2
8A	N/A	Long Supply Arm	1
8B	N/A	Screwdriver Integral Stop Assembly	1
	N/A	Stop Plug	1
	N/A	O-Ring	1
	N/A	Hole Plug	1
8C	59748001	Gasket	1
9	G65300	Escutcheon Assembly	2

ZURN INDUSTRIES, LLC ♦ COMMERCIAL BRASS OPERATION ♦ 2640 SOUTH WORK STREET ♦ FALCONER NY 14733

Phone: 1-800-997-3876 ♦ Fax: 1-919-775-3541 ♦ www.zurn.com

In Canada: ZURN INDUSTRIES LIMITED ♦ 3544 Nashua Drive ♦ Mississauga, Ontario L4V1L2 ♦ Phone: 905/405-8272 Fax: 905/405-1292