



Z84300-XL SERIES

AQUASPEC SINK FAUCETS

Dimensional data (inches and [mm]) are subject to manufacturing tolerances and change without notice.

TECHNICAL INFORMATION

MAXIMUM PRESSURE: 125 PSI
MAXIMUM TEMPERATURE: 160°F
HANDLE NUT TORQUE: 15-20 FT - LBS.
CARTRIDGE STYLE: QUARTER TURN CERAMIC DISK

INSTALLATION INSTRUCTIONS

1. 1/2" IP nipple should protrude 3/8" from the wall on 8" centers. Supply pipes should be secured to support the faucet.
2. Apply pipe sealant to 1/2" threads of supply pipe and screw supply arm assembly (Item #2) onto pipe. Position supplies so that the body connections end up at 8" centers on a horizontal plane.
3. Insert sink faucet body (Item #1D) to supply arms, placing gasket (Item #2A) between body and supply arm.
4. Assemble spout to body using hardware.
5. Install wall brace by screwing the support rod into the threaded spout connection. Adjust the support rod to desired length and secure to finished wall using the two wood screws provided.

NOTE: Support for finished wall is recommended where wall brace mounts for maximum support.

6. Turn water supply ON and operate faucet, checking for leaks.
7. It may be necessary to shut water OFF and remove cartridges to clean supply lines. Cartridges can be removed by first removing the handles. Color indexes can be removed by inserting a pin into the hole on the underside of the handle. After the handles have been removed, unscrew the handle nuts and pull out the cartridge.
8. Replace cartridges in body and hand tighten handle nuts. Place handles on the cartridge stem and locate them as desired. Tighten handle nuts.
9. Replace handle screws and color index button.
10. If necessary, install aerator onto spout and hand tighten. It may be necessary to unscrew and clean aerator at start-up.

CAUTION-FOR INSTALLATION WITH ATMOSPHERIC VACUUM BREAKERS (AVB'S).

THIS DEVICE SHOULD NEVER BE USED IN INSTALLATIONS THAT ARE UNDER CONTINUOUS PRESSURE WHEN INSTALLED WITH SPOUTS HAVING ATMOSPHERIC VACUUM BREAKERS (AVB'S). THEREFORE, NEVER PLACE A SELF-CLOSING, SHUT-OFF VALVE DOWNSTREAM OF AN AVB.

SERVICE INSTRUCTIONS

1. Your Zurn Aquaspec faucet is furnished with integral supply stops to provide a complete shut-off of the water supply. Turn screw stops into body using 5/16" hex key wrench until water shuts off completely. Turn stop no more than three (3) complete turns to activate water flow.

⚠ WARNING: Cancer and Reproductive Harm - www.P65Warnings.ca.gov
⚠ ADVERTENCIA: Cáncer y daño reproductivo - www.P65Warnings.ca.gov
⚠ AVERTISSEMENT: Cancer et effets néfastes sur la reproduction - www.P65Warnings.ca.gov

Zurn Industries, LLC | Light Commercial
1801 Pittsburgh Avenue, Erie, PA U.S.A. 16502 · Ph. 855-663-9876, Fax 814-454-7929
In Canada | Zurn Industries Limited
3544 Nashua Drive, Mississauga, Ontario L4V 1L2 · Ph. 905-405-8272, Fax 905-405-1292
www.zurn.com

Rev. B
Date: 5/9/2018
C.N. No. 140014
Form No. CF1576

Dimensional data (inches and [mm]) are subject to manufacturing tolerances and change without notice.

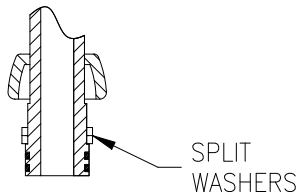
MAINTENANCE

1. Your Zurn Aquaspec faucet has a highly polished Nickel Chrome plated finish. Clean with soap and water or a mild cleaner which is safe for chrome plating. Do Not use acids or toilet bowl cleaner as they will damage the finish.
2. Aquaspec faucets contain ceramic disc cartridges which require no maintenance. To remove the cartridge, shut the water off, loosen the handle nuts and pull up on the cartridge.

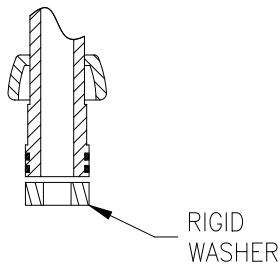
REPLACEMENT PARTS

Cold Water Cartridge [59517005](#)
Hot Water Cartridge [59517006](#)
Index Buttons G60500

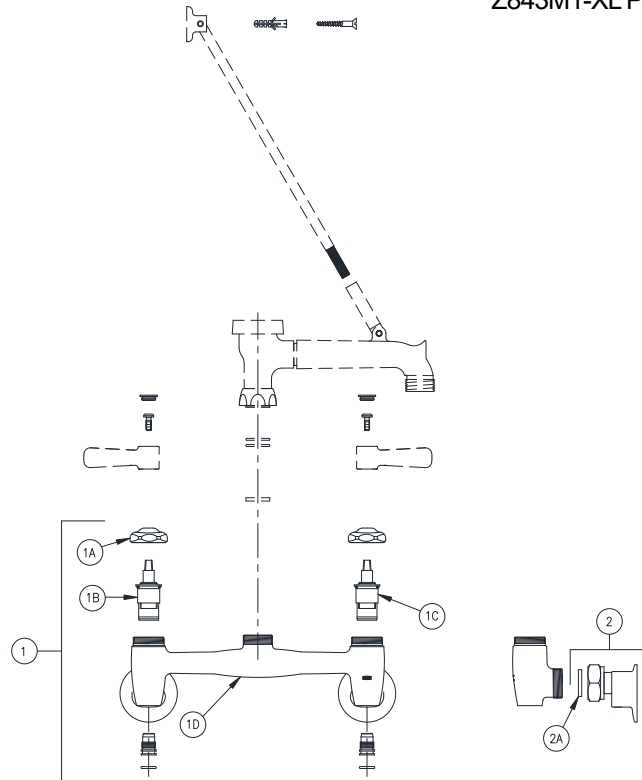
SWING SPOUT
CONFIGURATION



RIGID SPOUT
CONFIGURATION



Z843M1-XL PICTURED



Z84300-XL Parts List

Item	Part No.	Description	Qty
1	G67998	Sink Body Assembly XL	1
1A	59440001	Handle Nut	2
1B	59517005	Short Cold Cartridge XL	1
1C	59517006	Short Hot Cartridge XL	1
1D	N/A	Sink Body XL	1
2	G67882	Short Supply Arm Assembly	2
2A	59748001	Gasket	2