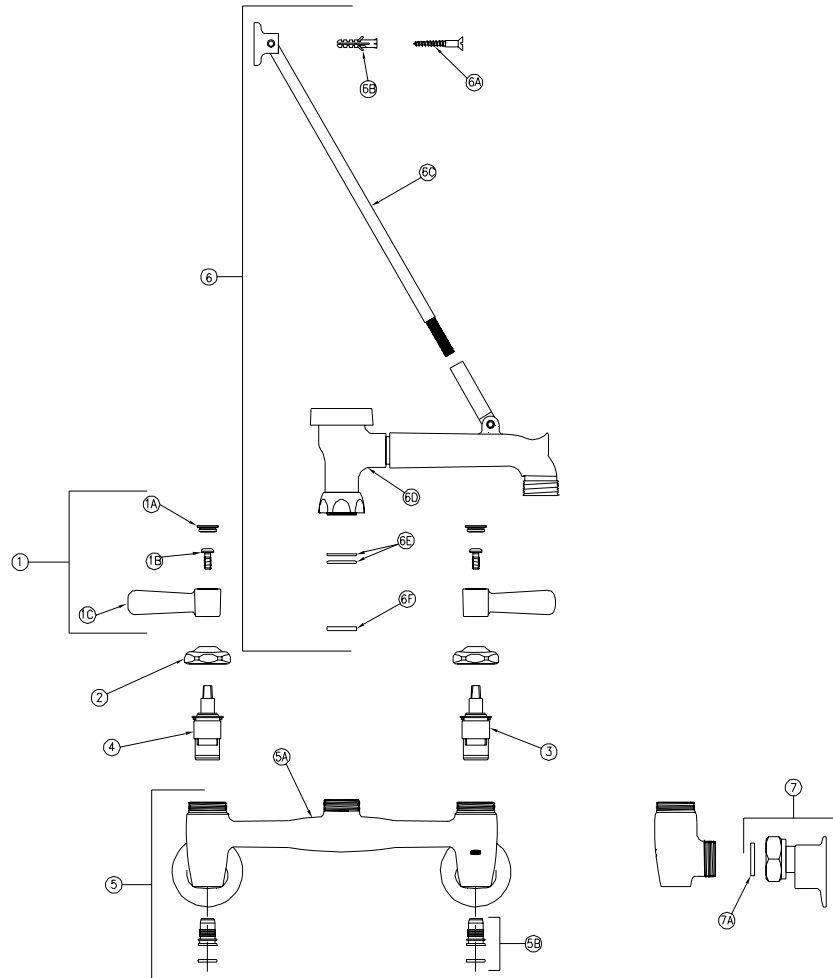


SINK FAUCET

Z843M1-CS Parts List



Item	Part Number	Description	Qty.
1	G60501	2-1/2" [64mm] Vandal-Resistant Metal Lever Handles	1
1A	G60500	Hot/Cold Color-Coded Indexes	1
	59454001	Hot Index	1
	59454002	Cold Index	1
1B	62464001	10-32 Screw	2
1C	59487001	Lever Handle	2
2	59440001	Handle Nut	2
3	59517001	Short Cold Cartridge	1
4	59517002	Short Hot Cartridge	1
5	66168001	Sink Body Assembly	1
5A	66156001	Sink Body	1
5B	G67807	Stop Plug Assembly	2
	59536002	Stop Plug	1
	58155013	O-Ring	1
6	G60554	5-3/4" 'M' Vacuum Breaker Spout Assembly	1
6A	62358001	Flat Head Wood Screw	2
6B	62359001	Plastic Anchor	2
6C	60865001	Wall Bracket/Rod Assembly	1
6D	60864003	5-3/4" 'M' Vacuum Breaker Spout Sub-Assembly	1
6E	58155018	O-Ring	2
6F	59436001	Spacer Washer	1
7	G63347	Short Supply Arm Assembly w/ Check Stop	2
7A	59748001	Gasket	2

ZURN INDUSTRIES, LLC ♦ COMMERCIAL BRASS OPERATION ♦ 2640 SOUTH WORK STREET ♦ FALCONER NY 14733

Phone: 1-716-665-1132 ♦ Fax: 1-716-665-1135 ♦ World Wide Web: www.zurn.com

In Canada: ZURN INDUSTRIES LIMITED ♦ 3544 Nashua Drive ♦ Mississauga, Ontario L4V1L2 ♦ Phone: 905/405-8272 Fax: 905/405-1292