

Model 375XL, 375XLB, 375ST LEAD-FREE*

Reduced Pressure Principle Assembly (1/2", 3/4" & 1")

*This product contains a weighted average lead content less than 0.25% for wetted surfaces.

*Meets the requirements of NSF/ANSI 61



□ Installation □ Testing □ Maintenance Instructions

CAUTION: Installation of Backflow Preventers must be performed by qualified, licensed personnel. The installer should be sure the proper device has been selected for the particular installation. Faulty installation could result in an improperly functioning device.

ZURN WILKINS Model 375 Reduced Pressure Principle Backflow Preventers are for use on potable water lines where a health hazard could exist if a backflow situation were to occur.

Proper performance is dependent upon following these installation instructions and prevailing governmental and industry standards and codes. Failure to do so, according to ZURN WILKINS Limited Warranty "... releases ZURN WILKINS of any liability that it might otherwise have with respect to that device." Such failure could also result in an improperly functioning device.

Damage to the device could result wherever water hammer and/or water thermal expansion could create excessive line pressure. Where this could occur, shock arresters and/or pressure relief valves should be installed downstream of the device.

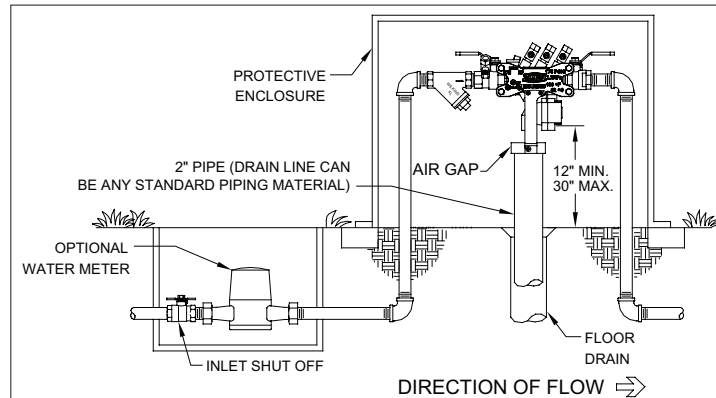
1. Before installing a Model 375 Backflow Preventer, flush the line thoroughly to remove all debris, chips and other foreign matter. If required, a strainer should be placed upstream of the Backflow Preventer.

CAUTION: Do not use a strainer in sediment used emergency waterlines such as fire lines.

2. Provide adequate space around the installed unit so that the test cocks will be accessible for testing and servicing.
3. **WARNING:** If installation of a Model 375 is in a building, a suitable drain arrangement **MUST** be provided to drain off spillage from the relief valve. An air gap at least two times the pipe diameter must be provided between the relief valve and the drain piping to prevent a cross-connection. Air Gap AG-11 not intended to support weight of drain pipe.

CAUTION: Do not pipe the relief valve solidly to a floor drain, sewer or sump.

CAUTION: An adequately sized drain is required to prevent possible water damage due to relief valve discharge.



4. Install valve at least 12 inches above surrounding flood level.
5. Always consult local codes for installation methods, approvals and guidance.

OUTDOOR INSTALLATION

Model 375 Backflow Preventers may be installed outdoors only if the device is protected against freezing conditions. Exposure to freezing conditions will result in improper function or damage to the device. The installation location must be kept above 32°F. All the basic installation instructions apply.

If installation is in a pit or vault, the Backflow Preventer must never be submerged in water because this will cause a cross-connection. Make sure that the pit or vault always remains dry by providing ample drainage.

INDOOR INSTALLATION

Indoor installation is preferred in areas that are subject to freezing conditions. All the basic installation instructions apply to such installations.

PARALLEL INSTALLATION

Where uninterrupted service from a single meter connection must be maintained, two or more Backflow Preventers may be connected in parallel. All the basic installation instructions apply to parallel installation. Be sure to allow adequate room between the units for testing and repair.

PLACING THE DEVICE IN SERVICE

After the installation of a Model 375 has been completed, place the unit in service as follows:

375 REDUCED PRESSURE PRINCIPLE

1. Start with both shut-off valves closed. Slowly open the inlet shut-off valve until the backflow preventer is completely pressurized. A brief discharge from the relief valve may occur while the device is pressurizing. The discharge should cease by the time the shut-off valve is fully open. Device should function properly. If the discharge does not stop, refer to "MAINTENANCE INSTRUCTIONS" for repair procedures.
2. After the device has been pressurized, vent all trapped air from both check valves by slightly opening each of the four test cocks.
3. Slowly open the downstream shut-off valve. The Model 375 Reduced Pressure Principle Backflow Preventer is now in service.
4. If "spitting" or intermittent discharges from the relief valve are noted, it could be a result of pressure fluctuation and/or a water hammer condition in the system. If such conditions exist, install a ZURN WILKINS water pressure reducing valve, a ZURN WILKINS Model 40XL check valve, or a ZURN WILKINS Model 1250XL water hammer shock arresters in compliance with industry standards as needed.
5. After the Model 375 has been properly installed, test the device (see "TEST PROCEDURES"). If the device fails the test, remove the first and second check valves and thoroughly flush the device. If the relief valve fails to operate properly, inspect the sensing passage for clogging (see "MAINTENANCE INSTRUCTIONS"). Clean rubber seals of all debris and place unit back in service.

⚠ **WARNING:** Cancer and Reproductive Harm - www.P65Warnings.ca.gov
⚠ **ADVERTENCIA:** Cáncer y daño reproductivo - www.P65Warnings.ca.gov
⚠ **AVERTISSEMENT:** Cancer et néfastes sur la reproduction - www.P65Warnings.ca.gov



Testing Procedures

MODEL 375 REDUCED PRESSURE PRINCIPLE ASSEMBLY

Equipment Required: Differential pressure gauge test kit.

TEST NO. 1

Purpose:

Test #2 check valve for tightness against reverse flow.

Requirement:

The valve must close tight against reverse flow under all pressure differentials.

Procedure:

1. Attach the "HIGH" hose to test cock #2 and the "LOW" hose to test cock #3.
2. Close #2 shut-off valve.
3. Open test cocks #2 and #3.
4. Open by-pass valves "C" and "A" and bleed to atmosphere until all air is expelled.
5. Close by-pass valve "A". Open by-pass valve "B" and bleed to atmosphere until all air is expelled. Close by-pass valves "B" and "C".
6. Attach the "VENT" hose to test cock #4.
7. Slowly open by-pass valves "A" and "C" and keep by-pass valve "B" closed.
8. Open test cock #4.
9. Indicated pressure differential will drop slightly. If pressure differential does not continue to decrease, the #2 check valve is considered tight.

TEST NO. 2

Purpose:

Test #1 check valve for tightness and record pressure drop across #1 check valve.

Requirement:

The static pressure drop across #1 check valve shall be greater than the relief valve opening point (test #3), and at least 5.0 psid.

Procedure:

1. Close by-pass valve "A"
2. Close test cock #4, and disconnect "VENT" hose from test cock #4.
3. Open by-pass valves "B" and "C" bleeding to atmosphere, then close by-pass valve "B" restoring the system to normal static condition.
4. Observe the pressure differential gauge and note this as the #1 check valve psid.

TEST NO. 3

Purpose:

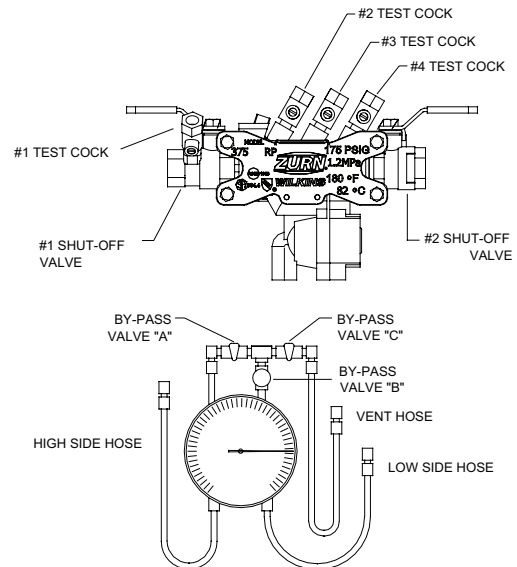
To test operation of the differential relief valve.

Requirement:

The pressure differential relief valve must operate to maintain the "ZONE" between the two check valves at least 2 PSID less than the supply pressure.

Procedure:

1. Close by-pass valve "C" and open by-pass valve "A".
2. Open by-pass valve "B" very slowly until differential gauge needle starts to drop. Hold the valve at this position and observe the gauge reading at the moment the first discharge is noted from the relief valve. Record this as the opening differential pressure of the relief valve.



WARRANTY: ZURN WILKINS Valves are guaranteed against defects of material or workmanship when used for the services recommended. If in any recommended service, a defect develops due to material or workmanship, and the device is returned, freight prepaid, to ZURN WILKINS within 12 months from date of purchase, it will be repaired or replaced free of charge. ZURN WILKINS liability shall be limited to our agreement to repair or replace the valve only.

Maintenance Instructions

All Model 375 Reduced Pressure Principle Backflow Preventers must be inspected and maintained by licensed personnel at least once a year or more frequently as specified by local codes. Replacement of worn or damaged parts must only be made with genuine "ZURN WILKINS" parts. The ZURN WILKINS Certificate of Limited Warranty provides that failure to do so "...releases ZURN WILKINS of any liability that it might otherwise have with respect to that device." Such failure could also result in an improperly functioning device.

The Model 375 Reduced Pressure Principle Assemblies should be thoroughly flushed after backflow conditions occur to prevent any type of corrosive deterioration to its components. Failure to do so could result in malfunction of the device.

GENERAL MAINTENANCE

1. Clean all parts thoroughly with water after disassembly.

2. Carefully inspect rubber seal rings, diaphragms and o-rings for damage.
3. Test unit after reassembly for proper operation (see "Testing Procedures").

SERVICING CHECK VALVES

1. Close inlet and outlet shut-off valves.
2. Open No. 2, No. 3 and No. 4 test cocks to release pressure from valve.
3. Unscrew clamp screws, and remove clamp. (inserting screw in center hole can remove stuck clamp). Slide sleeve toward inlet pipe. Slide valve body toward inlet and lift upward.
4. Using finger or blunt object, push in outlet end of body, both checks should slide out the body inlet. (A phillips screw driver will work in a 1/2"-3/4" valve. The closed ball valve handle will work in a 1" valve).

Maintenance Instructions

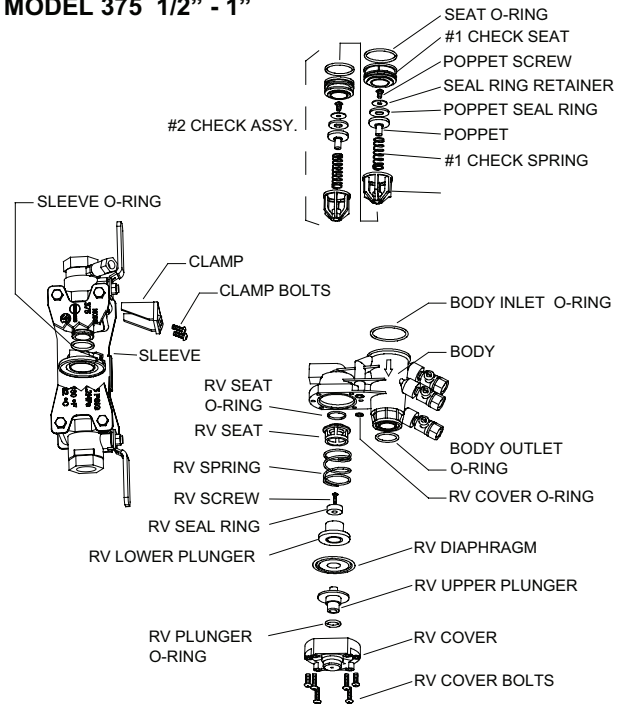
- Twist spring retainers counter-clockwise to remove from seat and access poppets.
- Inspect the rubber seal ring for cuts or embedded debris. To remove seal ring, remove screw and seal ring retainer. If the reverse side of the seal ring is unused, it is possible to invert the seal ring. This would be considered a temporary solution to fixing a fouled check and should be replaced with a new seal ring as soon as possible.
- Inspect seat surface for nicks or dings and replace if necessary. Use fingernail to check for dings. Re-grease seat o-rings.
- Inspect seat o-ring sealing areas in body and wipe clean.
- Reverse the above procedures to reinstall check valve assembly. (Drop #2 check assembly in body. Then drop #1 check assembly in and turn until #1 spring retainer lines up with #2 seat. Then push both assemblies into body.) Care should be taken to make sure the heavy spring is installed in the No. 1 check valve. Do not overtighten clamp screws as this can cause leak at the sleeve o-ring.

SERVICING RELIEF VALVE

- Remove relief valve cover screws and cover. Gently pull on diaphragm to remove the cartridge assembly.
- Inspect seal ring for cuts and embedded debris. Turn over or replace if required.
- Disassemble cartridge by unscrewing relief valve retaining screw.
- Inspect diaphragm and o-ring for damage. Replace required parts and apply a light coat of grease to plunger o-ring, and place on plunger.
- Carefully reassemble cartridge assembly.
- Inspect relief valve seat for wear on seating surface. If damaged, replace seat and seat o-ring. (Twist seat and o-ring while inserting to keep it from popping out.

- Insert cartridge assembly into relief valve cover.
- Check cover o-ring in groove on body. Clean or replace as necessary.
- Replace relief valve cover and cover screws. Place device in service and test per "TESTING PROCEDURES".

MODEL 375 1/2" - 1"



Troubleshooting

When the relief valve discharges intermittently it can be almost always assumed that the device is functioning correctly and that the discharge is caused by systems problem such as inlet pressure fluctuations or water hammer due to quick closing valves.

PROBLEM	POSSIBLE CAUSES	CORRECTIVE ACTION
1. SUDDEN OR RAPID SPITTING	<ol style="list-style-type: none"> Drop in inlet pressure. Sudden increase in downstream pressure due to water hammer from quick closing shut-off valve installed downstream. 	<ol style="list-style-type: none"> Install an in-line spring loaded check valve upstream of backflow. (ZURN WILKINS Model 40XL2) Install pressure reducing valve upstream of backflow unit. (ZURN WILKINS Model NR3XL) Install in-line spring loaded check valve downstream of backflow as close to source as possible, but not closer than 4 feet. (ZURN WILKINS Model 40XL2)
2. LIGHT INTERMITTENT DRIP	<ol style="list-style-type: none"> Slightly fouled #1 check 	<ol style="list-style-type: none"> Clean #1 check and turn check valve seal ring over or replace.
1. CONTINUOUS DISCHARGE	<ol style="list-style-type: none"> Fouled #1 check. Fouled relief valve seat. Fouled #2 check. 	<ol style="list-style-type: none"> Clean check valves and turn check valve seal rings over or replace. Clean relief valve seat and turn relief valve seal ring over or replace.

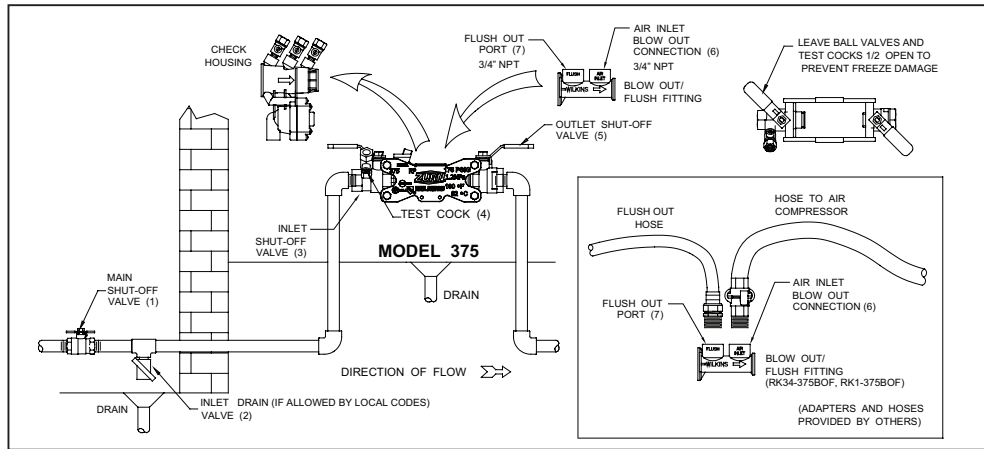
In summation, the amount of discharge is proportional to degree of fouling. Most problems occur in the #1 check which is where debris enters the backflow preventer first.

Proper performance is dependent upon licensed, qualified personnel performing regular, periodic testing according to ZURN WILKINS' specifications and prevailing governmental & industry standards and codes and upon following these installation instructions. Failure to do so releases ZURN WILKINS of any liability that it might otherwise have with respect to that device. Such failure could also result in an improperly functioning device.

SPECIFICATIONS

Maximum working water pressure	175 PSI
Maximum working water temp.	180°F
Hydrostatic	350 PSI
End connections	Threaded NPT ANSI B1.20.1

Blow Out / Flush Procedure for Freeze Protection



To Blow Out System for freeze protection, use the following procedure:

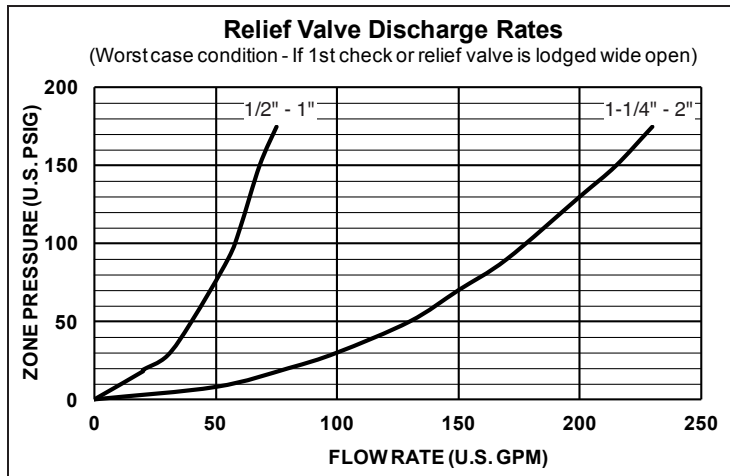
1. Turn off main shut-off valve (1) that supplies water to the system.
2. Open inlet drain valve in the system (2). Open inlet and outlet shut-off valves on the backflow preventer (3 & 5) and all of the test cocks (4). Leave all valves and test cocks in the half open/half closed (45°) position to allow full drainage of the ball valves and test cocks.
3. Remove black backflow preventer housing. Replace with orange Blow Out / Flush fitting. Store backflow preventer housing in a safe location for winter. Orange Blow Out / Flush fitting may remain in valve body during winter. Place plugs in ports to keep debris from entering housing.
4. A hose and adapter can be connected to flush out port (7) to drain water to a safe drain.
5. Connect an air hose and adapter to the air inlet connection (6). Inject an adequate volume of air to remove all water from the downstream portion of the system. Do not allow the fitting to overheat.
6. Leave drain valve (2), shut-off valves (3 & 5) and test cocks (4) in the half open/half closed position (45°) for the duration of the winter to prevent freezing.
7. Store valve housing/check assemblies, clamp/sleeve and o-rings in sealed plastic bag during winter to prevent weathering.

To Flush System during installation, use the following procedures:


1. Install backflow device in pipe system, leave water off.
2. Remove the black backflow preventer housing from the bronze body.
3. Install the orange Blow Out / Flush fitting into the bronze body.
4. Thread a garden hose adapter into Flush-Out port (7). Connect a hose to the adapter and run to a safe drain. Shut-off valves (3) and (4) should be open.
5. Turn on water supply at main shut-off valve (1) to flush out any debris in the pipe. Turn water off.
6. Remove orange Blow-Out / Flush fitting and replace black check housing back into the line. Close shut-off valves (3) and (4). Turn water on at main shut-off (1).
7. Slowly open shut-off valve (3) to pressurize backflow preventer. Once fully open, pressurize system by slowly opening shut-off valve (4).

CAUTION: For freeze protection be certain that main shut-off valve (1) remains tightly closed to prevent refilling of the system. Also, the main shut-off valve must be resilient seated to insure no leakage of water into the system.

Performance Characteristics



Capacity thru Schedule 40 Pipe				
Pipe size	5 ft/sec	7.5 ft/sec	10 ft/sec	15 ft/sec
1/2"	5	7	9	14
3/4"	8	12	17	25
1"	13	20	27	40
1 1/4"	23	35	47	70
1 1/2"	32	48	63	95
2"	52	78	105	167

REPAIR KITS FOR 375's	
BLOW OUT/FLUSH FITTING 1/2" - 3/4" RK34-375BOF 1" RK1-375BOF	VESSEL 1/2" - 3/4" RK34-375V 1" RK1-375V
COMPLETE INTERNALS 1/2" - 3/4" RK34-375 1" RK1-375	WEDGE/CLAMP 1/2" - 3/4" RK34-375W 1" RK1-375W
RUBBER PARTS 1/2" - 3/4" RK34-375R 1" RK1-375R	 BLOW OUT/ FLUSH FITTING