

Z40

Exploded view

PARTS BREAKDOWN
12-10-2015



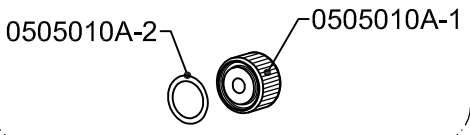
Code	Description
0316000	BOTTLE RACK BODY
0316002	BOTTLE RACK TRAY
0316004	BOTTLE RACK Z40
0504007	BOLT & PINIONS WASHER
0505010A	FASTENING NUT WITH RAKED JOINT
0505010A-1	CUP NUT
0505010A-2	FASTENING NUT JOINT Ø20
0505016	PEEL EXTRACTING BANDS
0506008	MICRO (LONG)
0506010	ELECTRIC LEAD
0506011	FUSE 6A
0506014	POWER BASE
0506015	BLACK BIPOLAR SWITCH
0506021	CONNECTION
0506023	ELECTRIC LEAD UL
0506026	FUSE HOLDER CAP
0506026-1	FUSE HOLDER FLANGE
0506027	BLANKING PLUG Ø17,3
0506028	WIRE PRESS
0506032	FUSE 16A UL CSA
0506033	FUSE HOLDER 16A
0506034	FUSE CAP 16A
1007033-1	FAN GRILL G120
1201016	FAN MOTOR 120X120 115/60
1201019	FAN MOTOR 120X120 230/50
1202016	PEELS BASKET 50L
1403003	HOPPER BOLT
1403010	HOPPER SECTOR
1408003	DRIP TRAY Z14
1408004	DRIP GRILL Z14
1408023	TOMLINSON SILICONE JOINT FAUCET
1503002	RING MAGNETIC UNIT
1605005	DIRTY WATER TUBE
2/13/9	TANK FAUCET
2/13/9-1	SEAT CUP SILICONE TOMLINSON FAUCET
2/15	SUPPORT CAP
3/9/16	GREY TOP BLANKING PLUG
210101	CHASIS
210102	CHASIS LOCKING
210103	PUSHING PLATE BUFFER
210201	MACHINE FRONT
210202	MACHINE BACK
210203	FRONT COVER
210204	SIDE COVER
210205	SLIDE COVER
210206	FRONT BOLT
210207	HOPPER NUT
210208	PULLEY FILTER SHAFT
210210	BASE LID
210212	SUPPORT
210213	SUPPORT WASHER
210301	PINION BACKING
210302	PINION SUPPORT
210303	PINION BEARING
210304	PINION SHAFT
210305	LOWER PINION
210307	UPPER PINION
210308	CONICAL PINION
210309	CONICAL CROWN
210310	CROWN HEAD

Code	Description
210311	BASE CROWN WASHER
210312	SELF-LUBRICATING BEARING
210313	RING GASKET
210314	HOPPER BEARING
210315	LID HOPPER TRACK
210316	BASE HOPPER TRACK
210317	EXTERNAL BASKET
210318	INTERNAL BASKET
210319	FRUIT CLASSIFIER 53-76
210320	FRUIT CLASSIFIER 64-88
210321	FRUIT CLASSIFIER 77-100
210322	LOWER FRUIT CLASSIFIER
210323	CHAIN
210325	Ø77-100 STICKER
210326	Ø64-88 STICKER
210327	Ø53-76 STICKER
210328	INTERNAL BASKET STICKER
210329	Z40 CALIBRATOR
210330	Z40 HOPPER BASKET
210401A	Z40 CYCLE COPIER SET
210402	MOTOR 230V 50Hz
210402B	MOTOR 220V 60Hz
210402C	MOTOR 110V 60Hz
210402D	MOTOR 240V-250V
210403	CONDENSER (230V)
210403B	CONDENSER (115V)
210403C	CONDENSER (240V)
210404	Z40 GEAR BOX TYPE SX-50 15:1
210405	Z40 GEAR BOX SX-50 SHAFT
210406	MOTOR PULLEY 10 L (60Hz)
210407	MOTOR PULLEY 12 L (50Hz)
210408	GEAR BOX PULLEY 30 L
210409	187L 050 BELT
210410	MOTOR ANCHORING Z40
210411	CONNECTING ROD
210412	BLADE SLIDE
210413	BLADE SLIDE BOLT
210414	BEARING BOLT
210415	BLADE SHAFT
210416	PUSHER SLIDE
210417	PUSHER SLIDE BOLT
210418	PRESSING SET
210419A	PUSHING PLATE
210420	WEDGE
210421	SPRING WEDGE CLASP
210422	CUP SLIDE
210423	LEFT RATCHET
210424	RIGHT RATCHET
210425	INTERNAL UNION PLATE
210426	EXTERNAL UNION PLATE
210427	CUP SLIDE BOLT
210428	UNBLOCK SCREW
210429	MOTOR FILTER PULLEY
210430	PUSHING PLATE SUPPLEMENT
210432	BOLT PUSHER SLIDE WASHER
210433	RATCHET SPRING
210434	RATCHET INSULATION RUBBER
210435	STOPPER HP10
210501	FRONT FLAT BAR
210502	REAR FLAT BAR

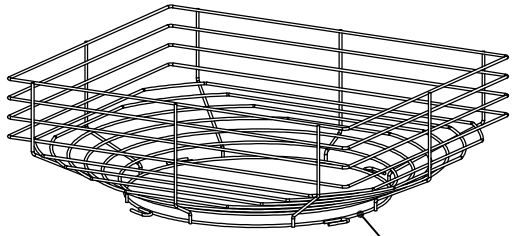
Code	Description
210503	TRAY SHAFT
210504	CUP SHAFT
210505	Z40 SQUEEZER TRAY
210506	Z40 FILTER TRAY
210507	Z40 BLADE
210509	Z40 SELF SERVICE TRAY
210510	EXTRA LARGE BALL Ø90
210511	EXTRA LARGE CUPS Ø100
210512	LARGE BALL Ø80
210513	LARGE CUP Ø88
210514	REGULAR BALL Ø68
210515	REGULAR CUP Ø76
210516	MOTOR FILTER SHAFT
210517	DRIVE FILTER SHAFT
210518	FILTER
210519	PULP SCRAPER FILTER
210521	COMPLETE Z40 FAUCET TRAY
210522	LARGE Z40 SQUEEZING KIT
210523	EXTRA LARGE Z40 SQUEEZING KIT
210524	Z40 TANK FAUCET
210601	PROGRAMER CPU (230-50/60Hz)
210602	PROGRAMER CPU (110-50/60Hz)
210603	CPU SEPARATOR
210604	CPU SERIGRAPHY
210605	MICRO COUNTER HOLDER
210606	LEFT SIDE COVER MICRO HOLDER
210607	SELF SERVICE SENSOR HOLDER
210608	SQUEEZING TRAY MICRO HOLDER
210610	TOP MAGNETIC SENSOR
210612	SQUEEZING TRAY MICRO CLAMP
210613	SIDE COVER MICRO CLAMP
210614	SELF SERVICE MAGNETIC SENSOR
210803	Z40 DRIP TRAY
210804	Z40 DRIP GRILL
210805	Z40 JUICE TANK
210806	Z40 TANK LID
210807	SELF SERVICE MAGNET HOLDER
210808	SELF SERVICE ACTIVATE LEVER
210809	Z40 TANK SUPPORT
210810	DRIP TRAY DRAIN
210811	Z40 TANK SHAKER

Code	Description
210812	Z40 LEFT BIN
210813	Z40 RIGHT BIN
210814	M20 NUT
210816	COMPLETE Z40 JUICE TANK
210817	BLOCKED FAUCET PLATE
210818	MECHANISED DRIP TRAY
210819	COMPLETE DRIP TRAY
210901	MDP Z40 LID
210902	MSP Z40 LID
210904	LEFT DOOR
210905	MDP RIGHT DOOR
210906	MSP RIGHT DOOR
210911	DRIP TRAY SUPPORT
210912	BOTTLE RACK SUPPORT
210914	LEFT CABINET CHUTE
210915	RIGHT CABINET CHUTE
I-933-M4x20	S. STEEL HEXAGON HEAD SCREW M4X20
I-965-M3x8	S. STEEL CROSS RECESSED COUNTERSUNK HEAD SCREW M3X8 DIN-965
I-965-M4x10	S. STEEL CROSS RECESSED COUNTERSUNK HEAD SCREW M4X10 DIN-965
I-985-M4	S. STEEL PREVAILING TORQUE HEXAGON NUT M4 DIN-985
I-1587-M3	S. STEEL HEXAGON DOMED CAP NUT M3
I-7985-M4x8	S. STEEL CROSS RECESSED RAISED CHEESE HEAD SCREW M4X8 DIN-7985
T-Ø30/20/30-M6	SILENT-BLOCK Ø30/20/30MM-M6
T-933-M8x30	SCREW M8X30 DIN-933
T-934-M8	HEX NUT M8 DIN-934 ZINC PLATED
T-DOWEL-M6x70	FIXING STUD Ø6.5/M6x70MM
ROD.6201ZZ	BEARING 6201ZZ
V0029	ROLLER CATCH 60MM
V0070	ALLEN KEY 5MM
V0071	ALLEN KEY HOLDER 5MM
V0126	DOOR STOP
V0133	JUICE TRAY WASHER
V0158	NON-BREAKING SWIVEL CASTER
V0159	BREAKING SWIVEL CASTER
V0184	ALLEN KEY HOLDER 3MM

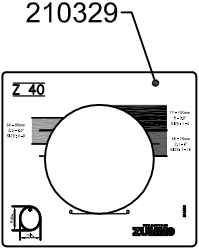
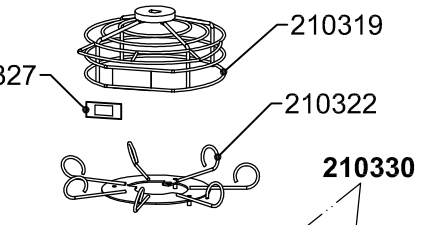
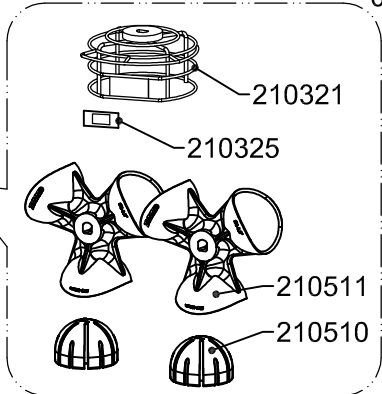
“PLEASE REMEMBER TO MENTION YOUR JUICER MODEL AND SERIAL NUMBER WHEN MAKING YOUR ORDERS”



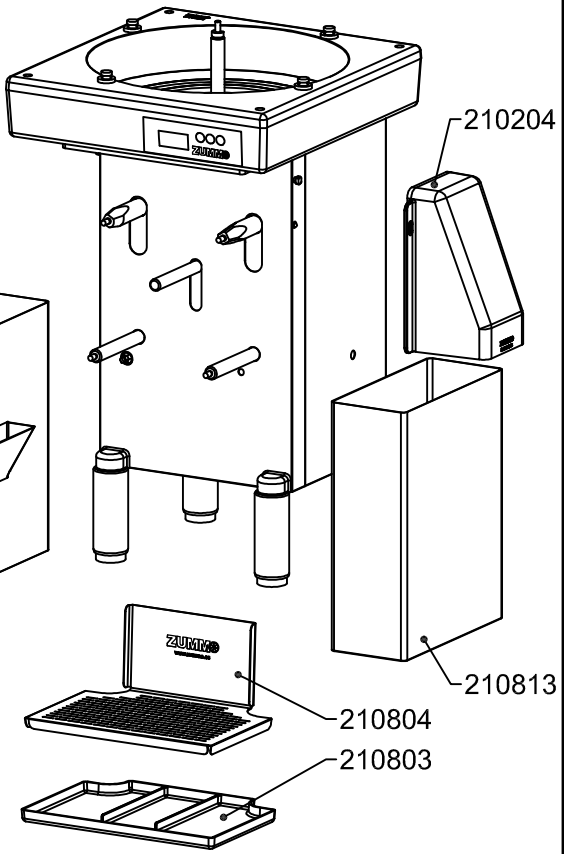
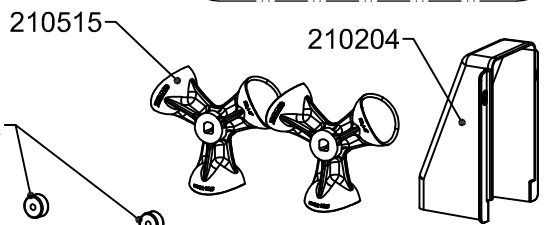
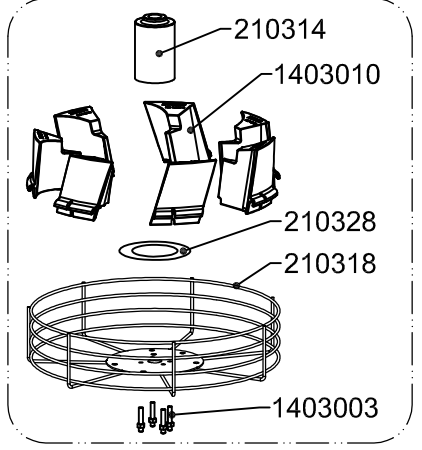
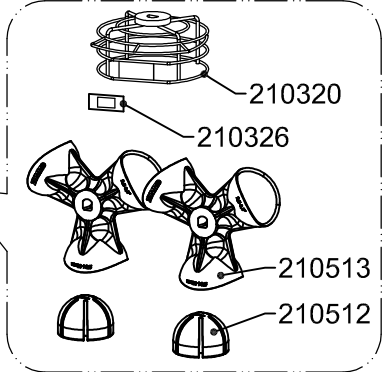
0505010A



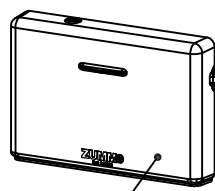
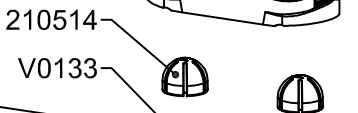
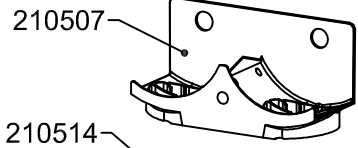
0505010A 210317



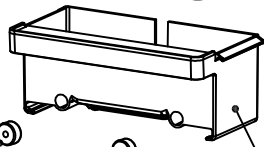
210329



0505010A



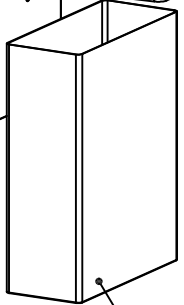
210203



210812

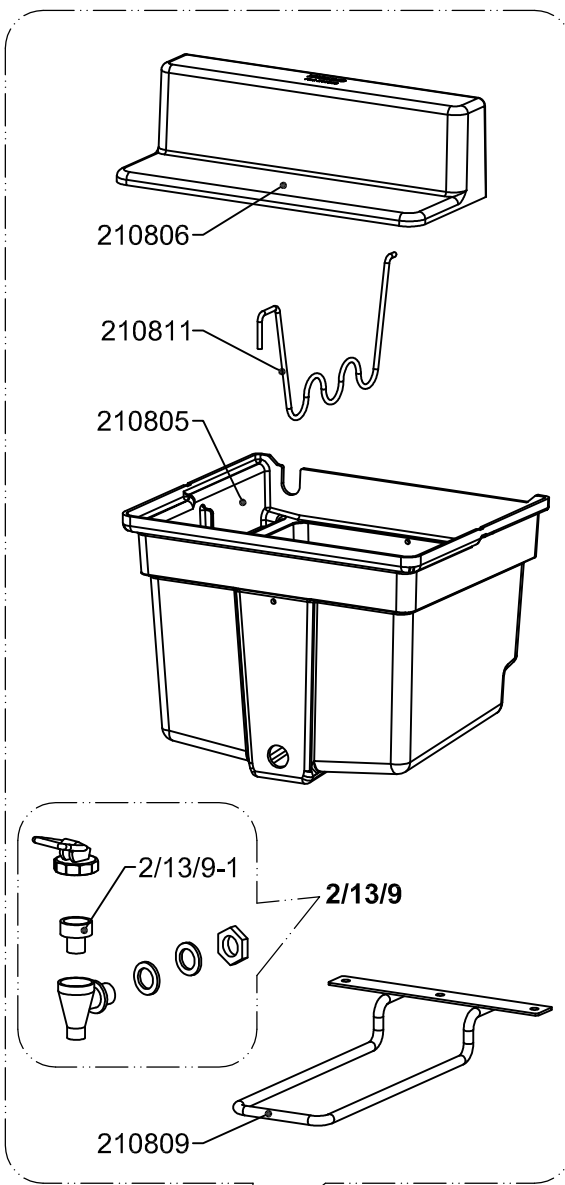
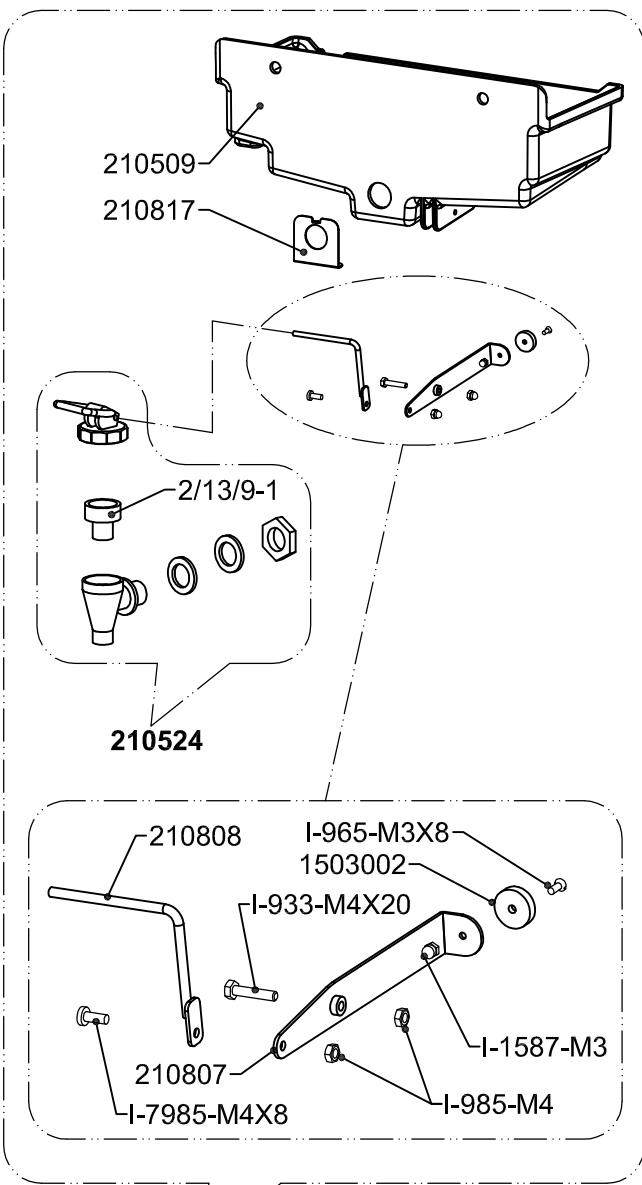
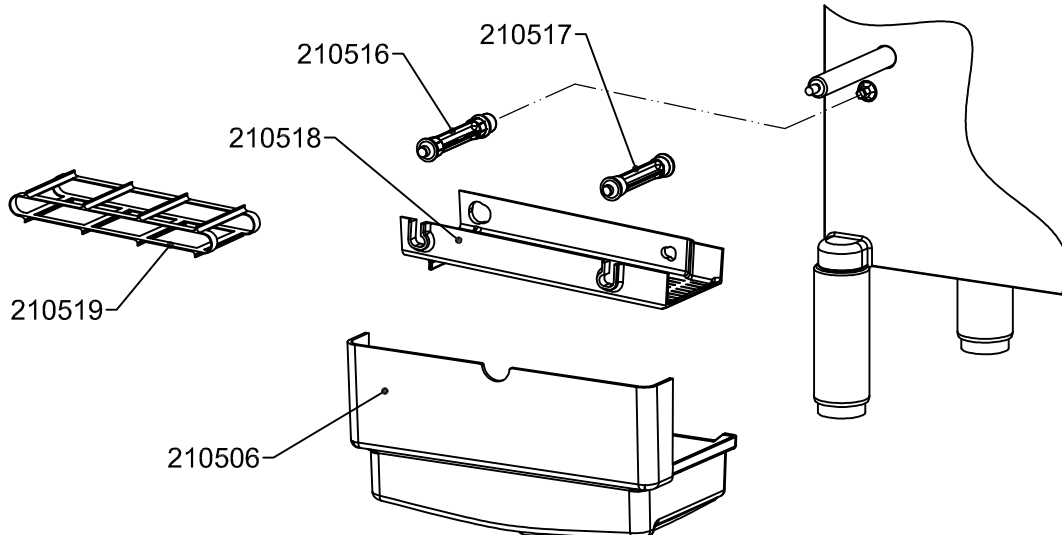
0505010A

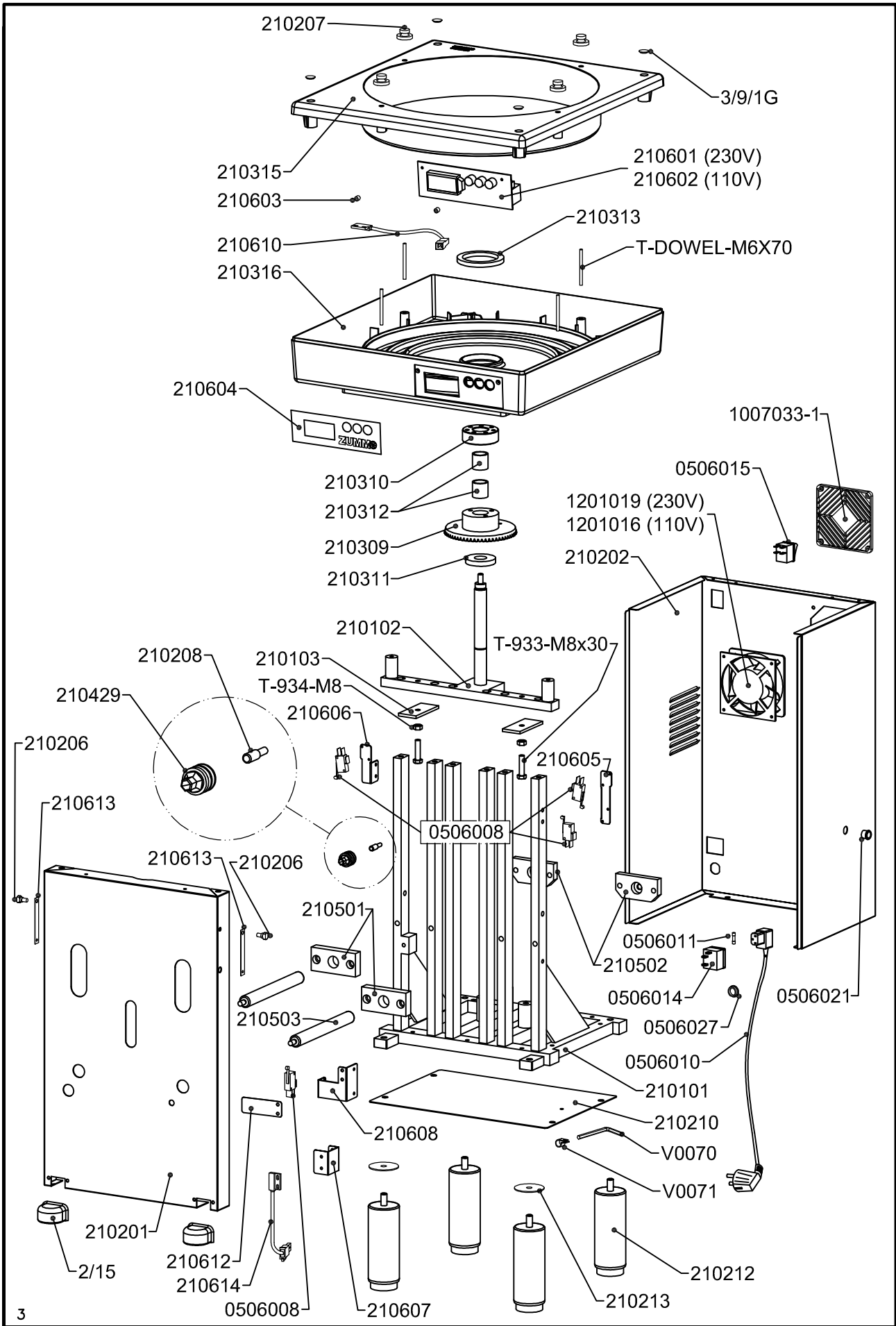
210505



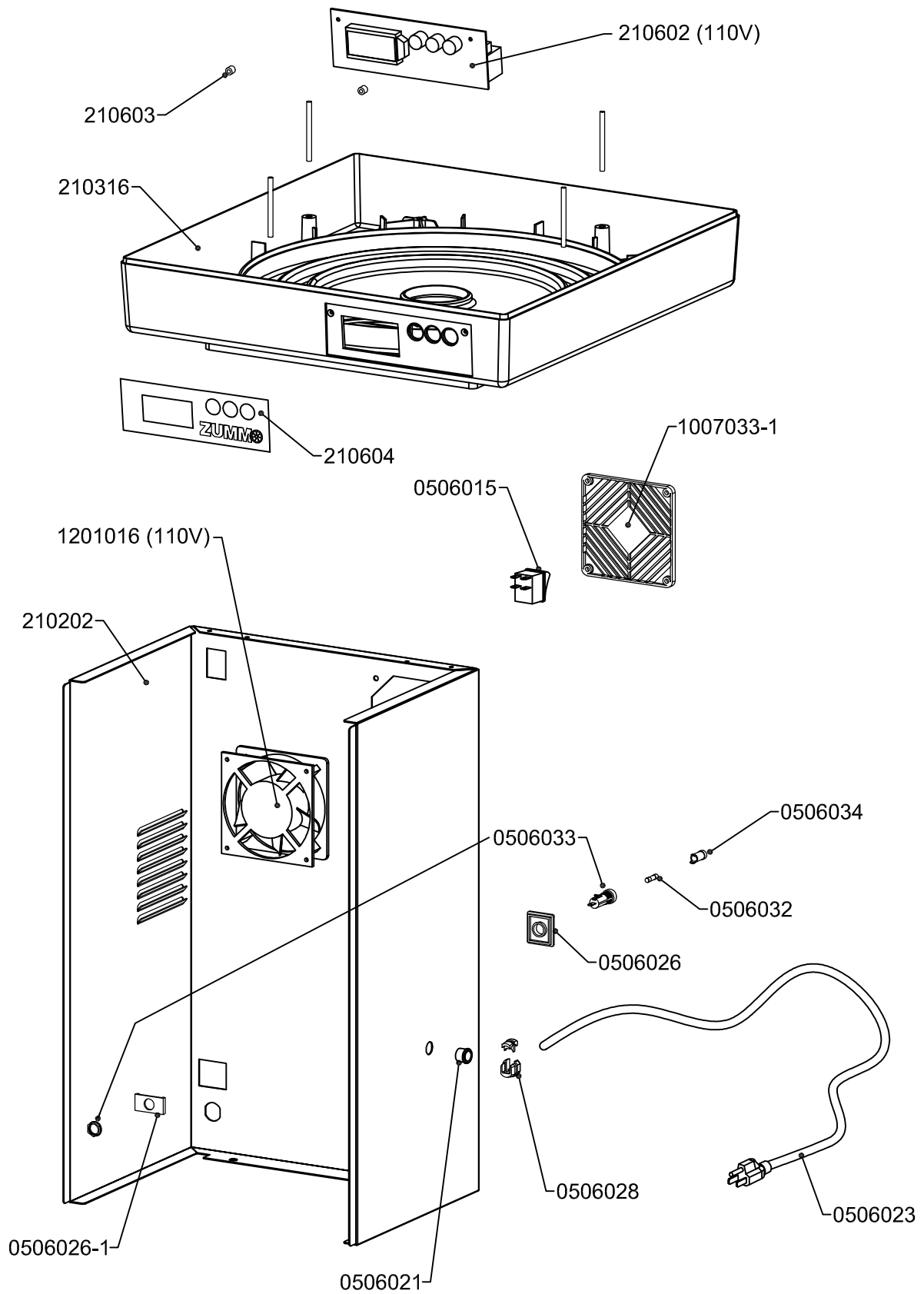
210813

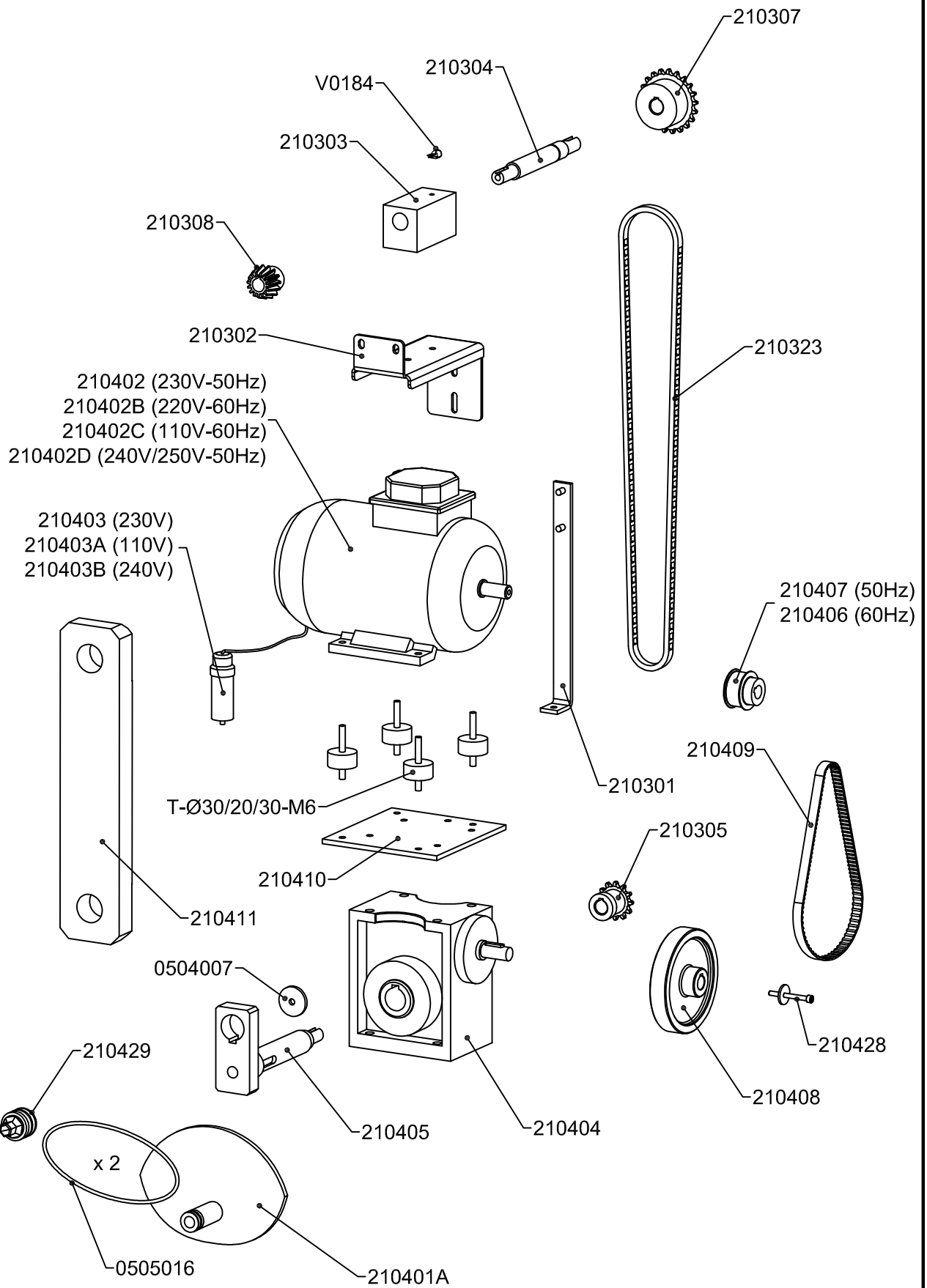
210803

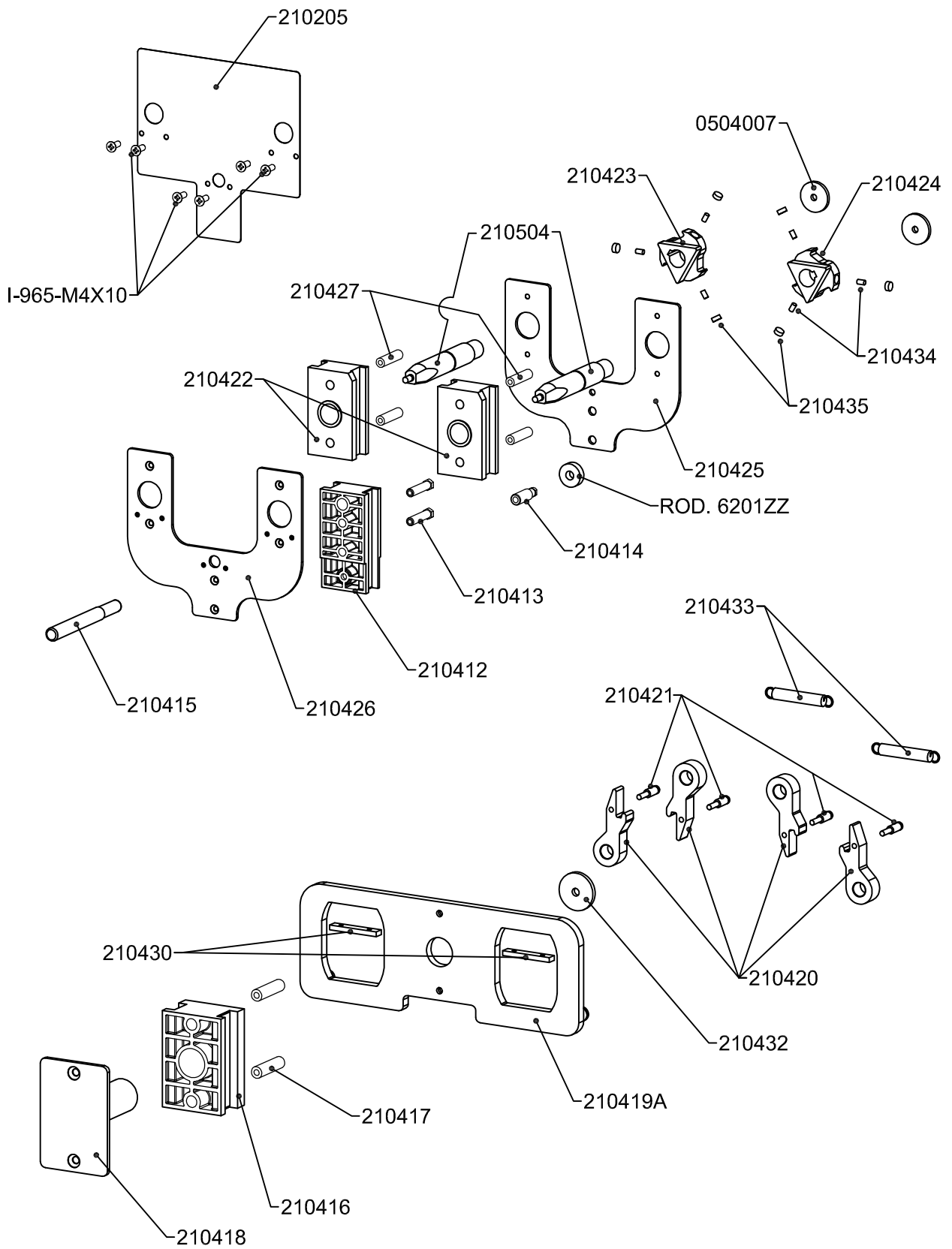


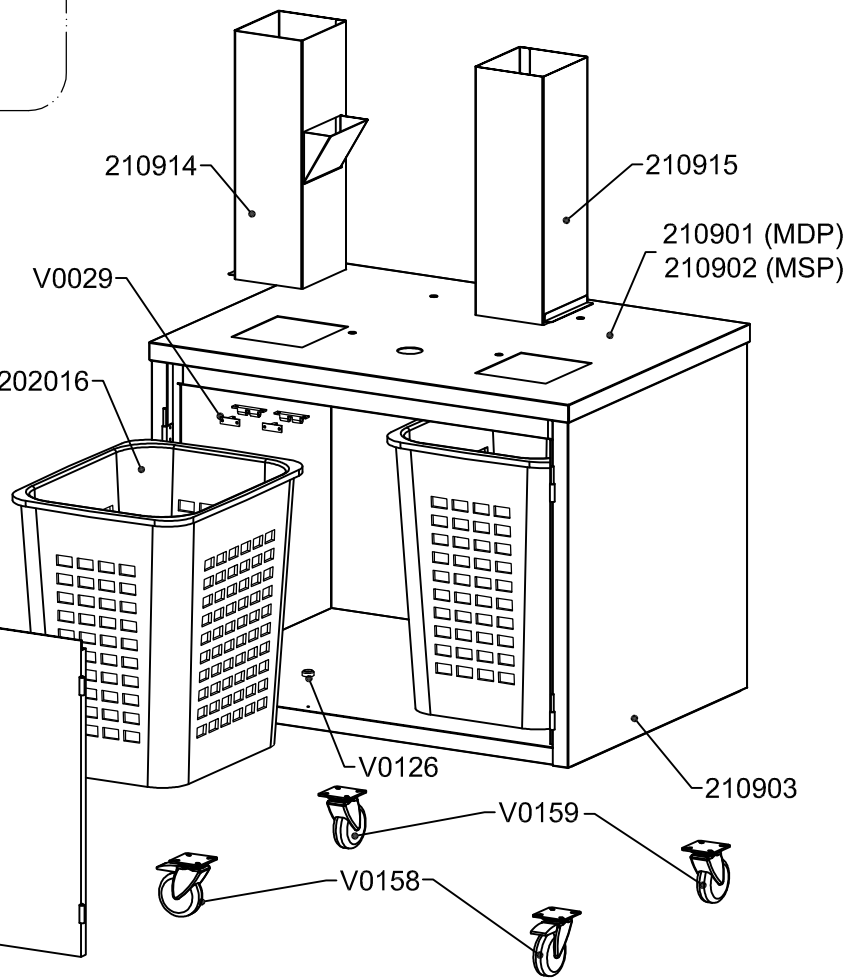
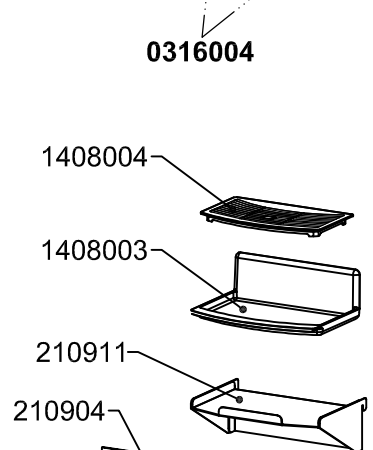
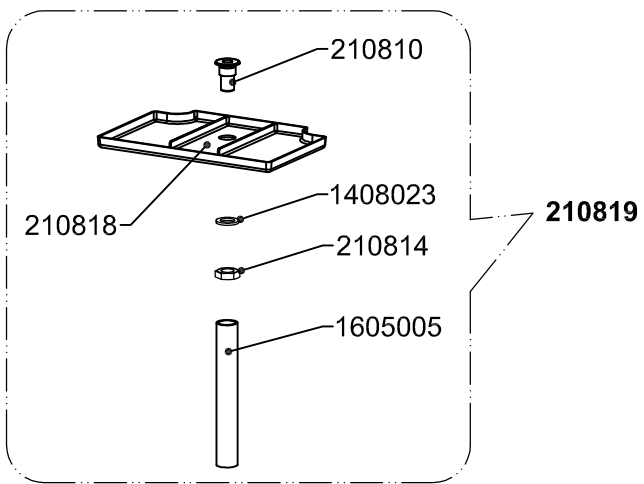
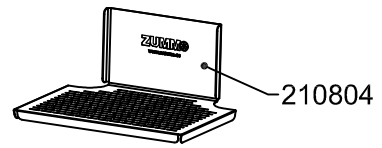
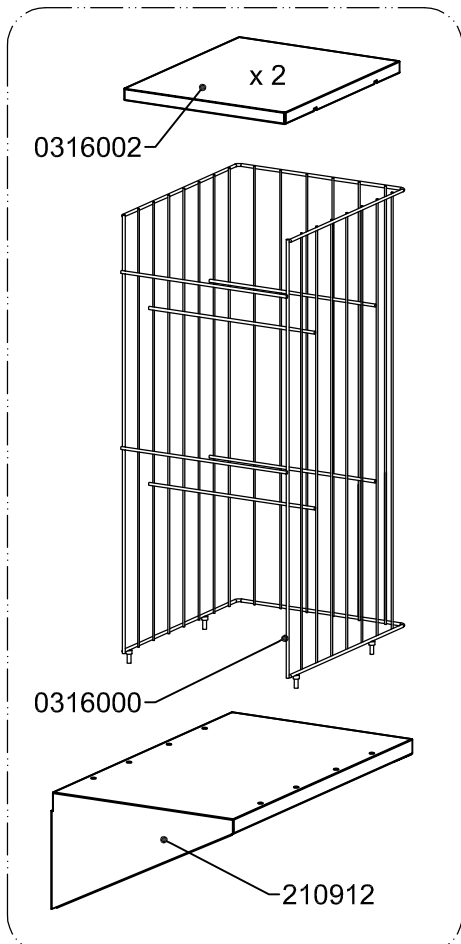


Z40 USA 110V-60Hz









210905 (MDP)
210906 (MSP)