



www.Source1Parts.com

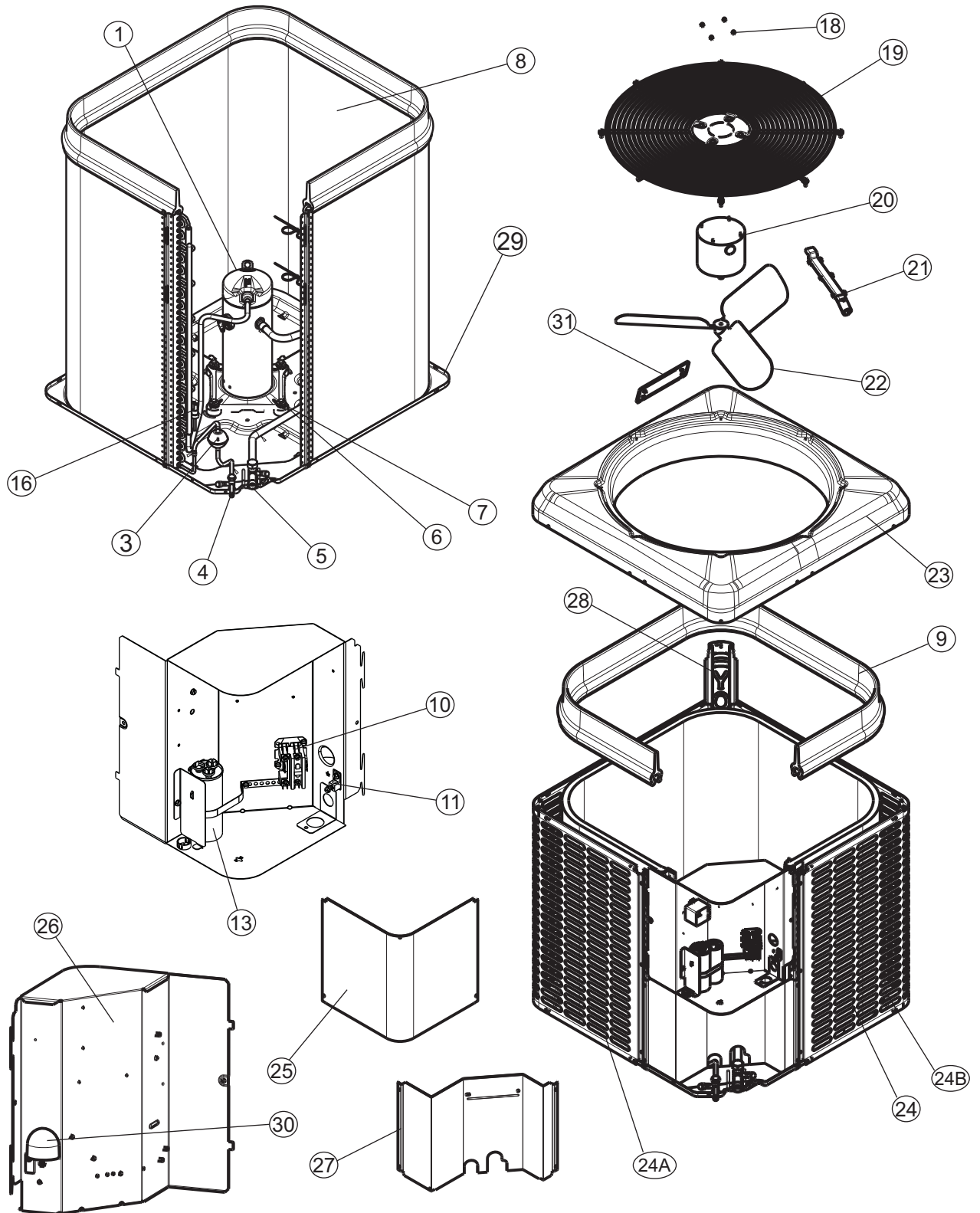
YFD SERIES - FIN AND TUBE 13 SEER AIR CONDITIONER - R410A (STYLE A)

HVAC SERVICE PARTS

Supersedes:035-24614-001 Rev. B (0816)

035-24614-001 Rev. C (1116)

1 of 4



ITEM	DESCRIPTION	YFD18B21SA	YFD24B21SA	YFD30B21SA	YFD36B21SA
1	Compressor	S1-01504818004	S1-01504832004	S1-01504147004	S1-01504146004
2					
3	Filter Drier	S1-02922195000	S1-02922195000	S1-02922195000	S1-02922195000
4	Base Valve (3/8") (Liquid)	S1-02322459000	S1-02322459000	S1-02322459000	S1-02322459000
5	Base Valve (3/4") (Suction)	S1-02322460000	S1-02322460000	S1-02322460000	S1-02322460000
6	Compressor Mount (Pkg. of 4)	S1-02810581000	S1-02810581000	S1-02810581000	S1-02810581000
7	Bolt, Compressor (4 Req'd)	S1-02131417000	S1-02131417000	S1-02131417000	S1-02131417000
8	Outdoor Coil Assembly	S1-37339451005	S1-37339451005	S1-37339451001	S1-37339451001
9	Molded Foam, Outdoor Coil	S1-02817064000	S1-02817064000	S1-02817067000	S1-02817067000
10	Contactora (30 amp)	S1-02427531000	S1-02427531000	S1-02427531000	S1-02427531000
11	Lug, Ground	S1-02521798000	S1-02521798000	S1-02521798000	S1-02521798000
12					
13	Dual Capacitor (30/5 MFD)	S1-02424778700	---	---	---
	Dual Capacitor (35/5 MFD)	---	S1-02423998700	---	---
	Dual Capacitor (40/5 MFD)	---	---	S1-02425893700	---
	Dual Capacitor (45/5 MFD)	---	---	---	S1-02425120700
14					
15					
16	Switch, Pressure (High)	S1-02546848000	S1-02546848000	S1-02546848000	S1-02546848000
17*	Mount, Stand-off, Coil Guard (2 Req'd)	S1-02817062000	S1-02817062000	S1-02817062000	S1-02817062000
18	Kit, Motor Mounting (Acorn Nuts)	S1-36390117700	S1-36390117700	S1-36390117700	S1-36390117700
19	Guard, Fan	S1-02647768000	S1-02647769000	S1-02647769000	S1-02647769000
20	Motor, Fan	S1-02436271000	S1-02436271000	S1-02436244000	S1-02436227000
21	Wireway	S1-02816467000	S1-02816467000	S1-02816468000	S1-02816468000
22	Blade, Fan	S1-02634754000	S1-02642444000	S1-02634593000	S1-02634094000
23	Top	S1-07339395001	S1-07339395001	S1-07339395004	S1-07339395004
24	Panel, Coil Guard (2 Req'd)	S1-07339398001	S1-07339398022	S1-07339398005	S1-07339398005
24A	Panel, Coil Guard (LH)	---	---	---	---
24B	Panel, Coil Guard (RH)	---	---	---	---
25	Cover, Control Box	S1-07339400001	S1-07339400001	S1-07339400004	S1-07339400004
26	Box, Control	S1-07339396001	S1-07339396001	S1-07339396002	S1-07339396002
27	Panel, Block-Off	S1-07339399001	S1-07339399013	S1-07339399007	S1-07339399007
28	Post, Corner	S1-07339401002	S1-07339401003	S1-07339401003	S1-07339401003
29	Pan, Base	S1-07339397001	S1-07339397001	S1-07339397002	S1-07339397002
30	Gasket, Rain Guard	S1-02817106000	S1-02817106000	S1-02817106000	S1-02817106000
31	Badge, Branding	S1-02816476000	S1-02816476000	S1-02816476000	S1-02816476000
32*	Harness, Wire, AC	S1-02547245000	S1-02547245000	S1-02547245000	S1-02547245000
33*	Orifice, Refrigerant, Chatleff (.048)	S1-02926891000	---	---	---
	Orifice, Refrigerant, Chatleff (.065)	---	---	S1-02926885000	---
	Orifice, Refrigerant, Chatleff (.068)	---	---	---	S1-02926892000
34*	Harness, Wiring (6 Pin)	---	---	---	---
35*	Harness, Compressor	S1-02541088000	S1-02541088000	S1-02541088000	S1-02541088000
36*	Dampener, Discharge Line	---	---	---	S1-02817125000
37*	Wiring Diagram	1183564	1183564	1183564	1183564

NOTE: *Not Shown

New replacement parts shown in **bold** face type at the first printing of parts list dated 11/16.

Major components and suggested stocking items are shown with shaded item number.

"<" Across from row indicates a change in that row. Changed part numbers are in red.

--- Not applicable to specified model.

ITEM	DESCRIPTION	YFD42B21SA	YFD48B21SA	YFD60B21SA
1	Compressor	S1-015003894004	S1-01504616004	S1-01504615004
2				
3	Filter Drier	S1-02922195000	S1-02922195000	S1-02922195000
4	Base Valve (3/8") (Liquid)	S1-02322459000	S1-02322459000	S1-02322459000
5	Base Valve (7/8") (Suction)	S1-02322461000	S1-02322461000	S1-02322461000
6	Compressor Mount (Pkg. of 4)	S1-02810505000	S1-02810505000	S1-02810505000
7	Bolt, Compressor (4 Req'd)	S1-02116047000	S1-02116047000	S1-02116047000
8	Outdoor Coil Assembly	S1-37339451002	S1-37339451003	S1-37339451004
9	Molded Foam, Outdoor Coil	S1-02817070000	S1-02817070000	S1-02817073000
10	Contactora (30 amp)	S1-02427531000	---	---
	Contactora (40 amp)	---	S1-02425837700	S1-02425837700
11	Lug, Ground	S1-02521798000	S1-02521798000	S1-02521798000
12				
13	Dual Capacitor (45/5 MFD)	S1-02425120700	---	---
	Dual Capacitor (70/5 MFD)	---	S1-02427616000	S1-02435844000
14				
15				
16	Switch, Pressure (High)	S1-02546848000	S1-02546848000	S1-02546848000
17*	Mount, Stand-off, Coil Guard (2 Req'd)	S1-02817062000	S1-02817062000	S1-02817062000
18	Kit, Motor Mounting (Acorn Nuts)	S1-36390117700	S1-36390117700	S1-36390117700
19	Guard, Fan	S1-02647770000	S1-02647770000	S1-02647771000
20	Motor, Fan	S1-02436227000	S1-02436244000	S1-02436244000
21	Wireway	S1-02816469000	S1-02816469000	S1-02816470000
22	Blade, Fan	S1-02642434000	S1-02642434000	S1-02647794000
23	Top	S1-07339395007	S1-07339395007	S1-07339395010
24A	Panel, Coil Guard (LH)	S1-07339398009	S1-07339398010	S1-07339398030
24B	Panel, Coil Guard (RH)	S1-07339398007	S1-07339398008	S1-07339398028
25	Cover, Control Box	S1-07339400004	S1-07339400004	S1-07339400004
26	Box, Control	S1-07339396002	S1-07339396002	S1-07339396002
27	Panel, Block-Off	S1-07339399005	S1-07339399007	S1-07339399015
28	Post, Corner	S1-07339401002	S1-07339401003	S1-07339401010
29	Pan, Base	S1-07339397003	S1-07339397003	S1-07339397004
30	Gasket, Rain Guard	S1-02817106000	S1-02817106000	S1-02817106000
31	Badge, Branding	S1-02816476000	S1-02816476000	S1-02816476000
32*	Harness, Wire, AC	S1-02547245000	S1-02547245000	S1-02547245000
33*	Orifice, Refrigerant, Chatleff (.077)	S1-02926860000	---	---
	Orifice, Refrigerant, Chatleff (.080)	---	S1-02926893000	---
34*	Harness, Wiring (6 Pin)	---	---	---
35*	Harness, Compressor	S1-02541088000	S1-02541088000	S1-02541088000
36*	Dampener, Discharge Line	---	---	---
37*	Wiring Diagram	1183564	1183564	1183564

NOTE: *Not ShownNew replacement parts shown in **bold** face type at the first printing of parts list dated 11/16.

Major components and suggested stocking items are shown with shaded item number.

“<” Across from row indicates a change in that row. Changed part numbers are in red.

--- Not applicable to specified model.

TO ORDER AUTHORIZED FACTORY REPLACEMENT PARTS - Contact your Source1 HVAC Parts Distributor or visit our website at www.Source1Parts.com for a Distributor and Dealer listing.