



www.Source1Parts.com

# TM8Y SERIES 80% TWO STAGE 33" MULTI-POSITION NATURAL GAS FURNACES WITH HIGH EFFICIENCY MOTORS (STYLE A)

HVAC SERVICE PARTS

Supersedes: 035-24552-001 Rev. B (0915)

035-24552-001 Rev. C (1115)

1 of 4

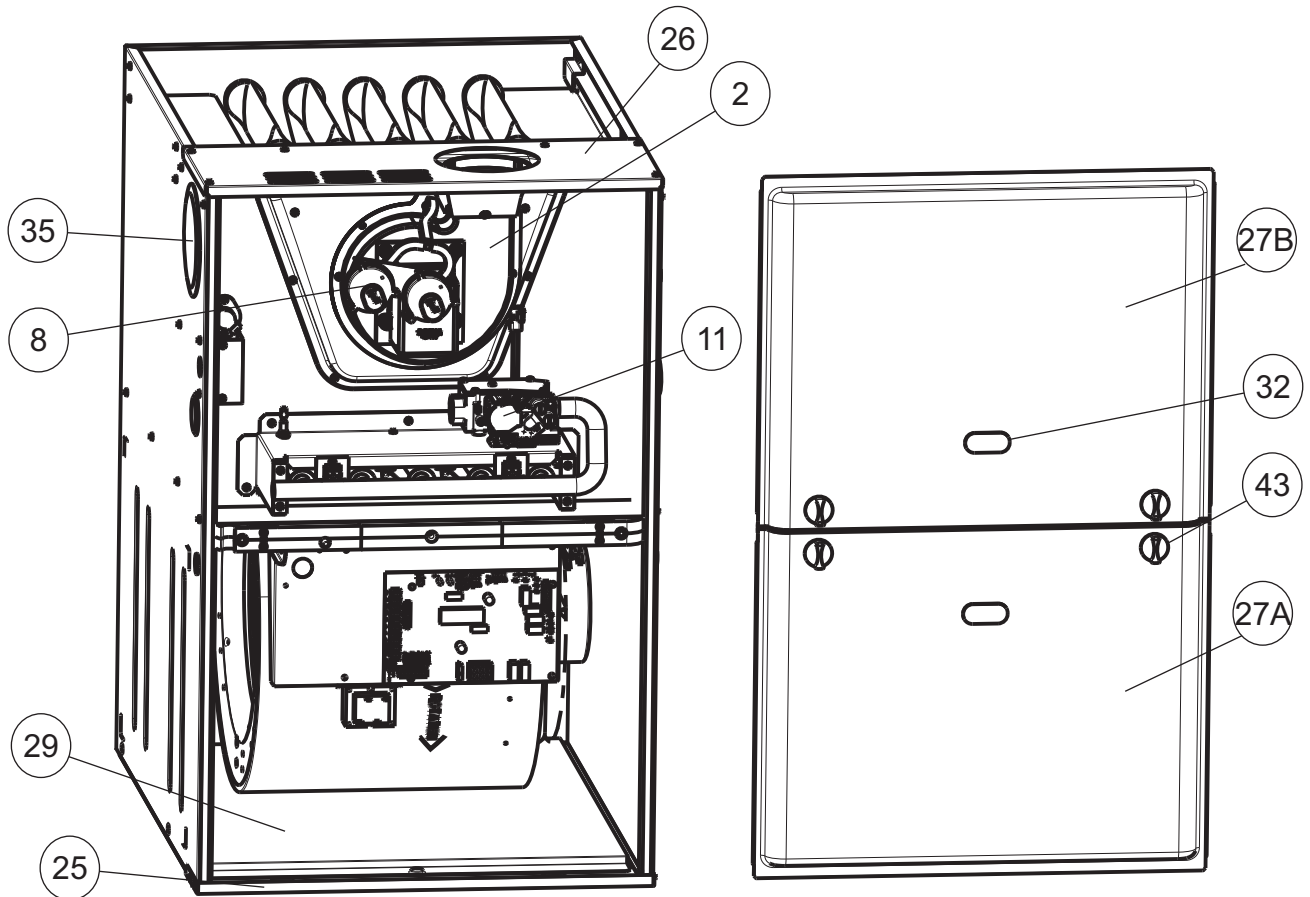


Figure 1: 80% TWO STAGE MULTI-POSITION NATURAL GAS FURNACES WITH HIGH EFFICIENCY MOTORS<

FIG	ITEM	DESCRIPTION	TM8Y060A12MP11A	TM8Y080B12MP11A	TM8Y080C16MP11A
			(3 BURNER)	(4 BURNER)	(4 BURNER)
<b>MOTOR</b>					
	2	1 MOTOR, BLOWER	S1-02436093000	S1-02436093000	S1-02436094000
	1,2	2 BLOWER, COMBUSTION	S1-02645747000	S1-02645747000	S1-02645747000
<b>ELECTRICAL</b>					
		3			
	2	4 SWITCH, LIMIT(250 Deg Man Reset,2 Req'd)	S1-02541318000	S1-02541318000	S1-02541318000
	2	5 CONTROL, FURNACE	S1-33103494000	S1-33103494000	S1-33103494000
	3	6 IGNITER	S1-02545231000	S1-02545231000	S1-02545231000
	3	7 SENSOR, FLAME	S1-02537499000	S1-02537499000	S1-02537499000
	1,2	8 SWITCH, PRESSURE	S1-02435903000	S1-02435903000	S1-02435903000
	2	9 SWITCH, DOOR	S1-02435738000	S1-02435738000	S1-02435738000
	2	10 TRANSFORMER	S1-2940A3541	S1-2940A3541	S1-2940A3541
	1,3	11 VALVE, GAS	S1-02544124000	S1-02544124000	S1-02544124000
	2	12 CONTROL, TEMPERATURE	S1-02547297000	S1-02541320000	S1-02541320000
		13			
		14			
<b>AIR MOVING</b>					
	2	15 HOUSING, BLOWER	S1-37327824001	S1-37327824001	S1-37327824002
	2	16 WHEEL, BLOWER	S1-02619654709	S1-02619654709	S1-02619654014

NOTE: \*Not Shown  
 New replacement parts shown in **bold** face type at the first printing of parts list dated 11/15.  
 Major components and suggested stocking items are shown with shaded item number.  
 "<" Across from row indicates a change in that row. Changed part number are in red.  
 --- Not applicable to specified model.

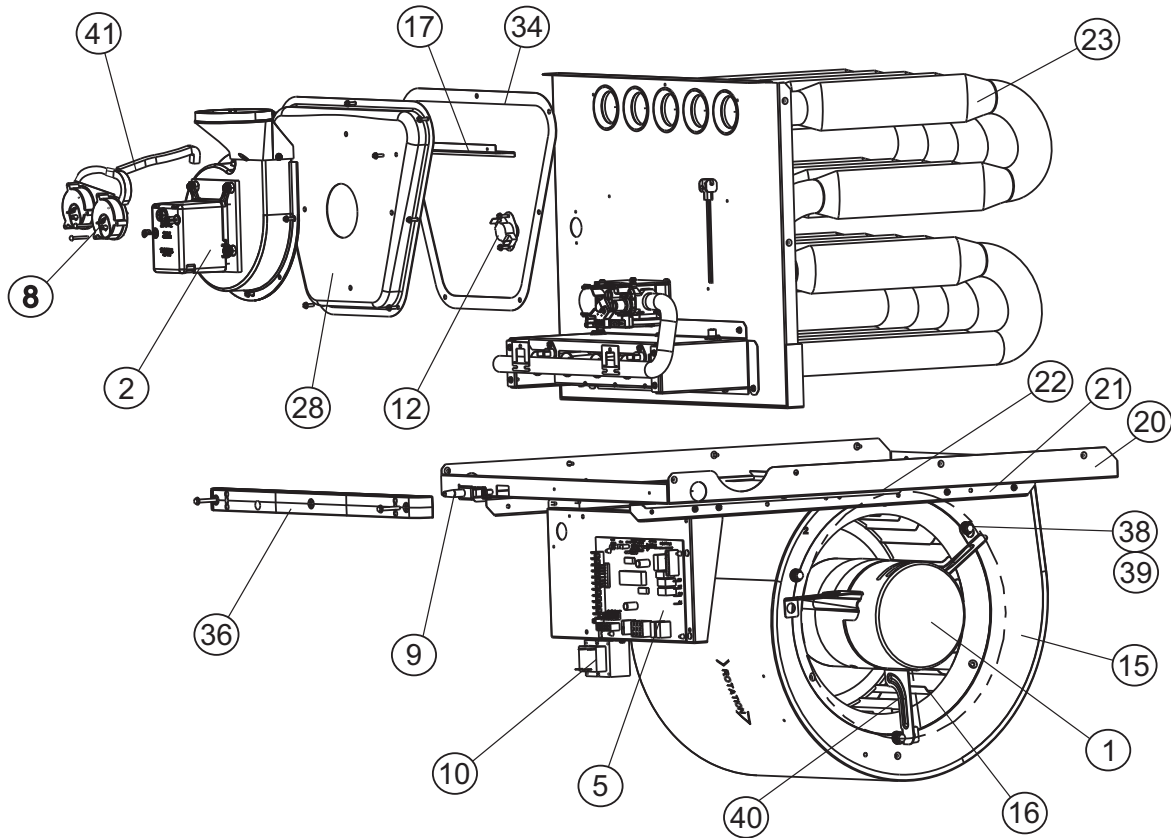


Figure 2: 80% TWO STAGE MULTI-POSTION NATURAL GAS FURNACES WITH HIGH EFFICIENCY MOTORS

FIG	ITEM	DESCRIPTION	TM8Y060A12MP11A	TM8Y080B12MP11A	TM8Y080C16MP11A
			(3 BURNER)	(4 BURNER)	(4 BURNER)
<b>FABRICATED PARTS</b>					
2	17	BAFFLE, FLUE	S1-07327911001	S1-07327829003	S1-07327829003
3	18	BURNER, MAIN GAS	S1-02920482000	S1-02920482000	S1-02920482000
2	20	SHELF, BLOWER	S1-07327823001	S1-07327823002	S1-07327823004
2	21	RAIL, BLOWER (2 Req'd)	S1-07327825001	S1-07327825001	S1-07327825001
2	22	BRACKET, BLOWER TRACK (2 Req'd)	S1-07327825002	S1-07327825002	S1-07327825002
2	23	HEAT EXCHANGER ASS'Y	S1-37327830002	S1-37327830003	S1-37327830005
3	24	MANIFOLD, GAS	S1-02924467000	S1-02924468000	S1-02924468000
1	25	PAN, BOTTOM	S1-07327841001	S1-07327841002	S1-07327841003
1	26	PANEL, TOP	S1-07327828001	S1-07327828002	S1-07327828003
1	27A	PANEL, DOOR (Lower)	S1-37327822001	S1-37327822002	S1-37327822003
1	27B	PANEL, DOOR (Upper)	<b>S1-37339423001</b>	<b>S1-37339423002</b>	<b>S1-37339423003</b>
2	28	VENT PAN, COMBUSTION (w/Gasket)	S1-07327826001	S1-07327826001	S1-07327826001
1	29	PANEL, BLOCKOFF	S1-07327827001	S1-07327827002	S1-07327827003
*	30	LO-NOX SCREEN	S1-02635452000	S1-02635452000	S1-02635452000
<b>MISCELLANEOUS</b>					
3	31	ORIFICE, BURNER (Natural #45)	S1-02921182045	S1-02921182045	S1-02921182045
1	32	SIGHT GLASS, OVAL (2 Req'd)	S1-02538899000	S1-02538899000	S1-02538899000
*	33	GASKET, FOAM (Door) (per ft.)	S1-02817061000	S1-02817061000	S1-02817061000
2	34	GASKET, INTAKE PAN	S1-02815510000	S1-02815510000	S1-02815510000
1	35	PLUG, VENT HOLE	S1-02815516000	S1-02815516000	S1-02815516000
2	36	BRACKET, DOOR	S1-02815512000	S1-02815513000	S1-02815514000
*	37	WIRING HARNESS, MAIN	S1-02543234000	S1-02543234000	S1-02543234000
2	38	FERRULE (3 Req'd)	S1-02320541000	S1-02320541000	S1-02320541000
2	39	GROMMET (3 Req'd)	S1-02814740000	S1-02814740000	S1-02814740000
2	40	MOTOR MOUNT (Includes item 38 & 39)	S1-37319831002	S1-37319831002	S1-37319831002
2	41	TUBING, SQUARE SILICON (12")	S1-02817111000	S1-02817111000	S1-02817111000
*	42	DIAGRAM, WIRING	5111808	5111808	5111808
1	43	Knob, Quarter Turn (4 Req'd)	S1-02924485000	S1-02924485000	S1-02924485000
*	44	WIRING HARNESS, MOTOR POWER	S1-02543662000	S1-02543662000	S1-02543662000
*	45	WIRING HARNESS, MOTOR CONTROL	S1-02543663000	S1-02543663000	S1-02543663000
*	46	PLUG, 7/8"	S1-02815853000	S1-02815853000	S1-02815853000

NOTE: \*Not Shown  
 New replacement parts shown in **bold** face type at the first printing of parts list dated 11/15.  
 Major components and suggested stocking items are shown with shaded item number.  
 "<" Across from row indicates a change in that row. Changed part number are in red.  
 --- Not applicable to specified model.

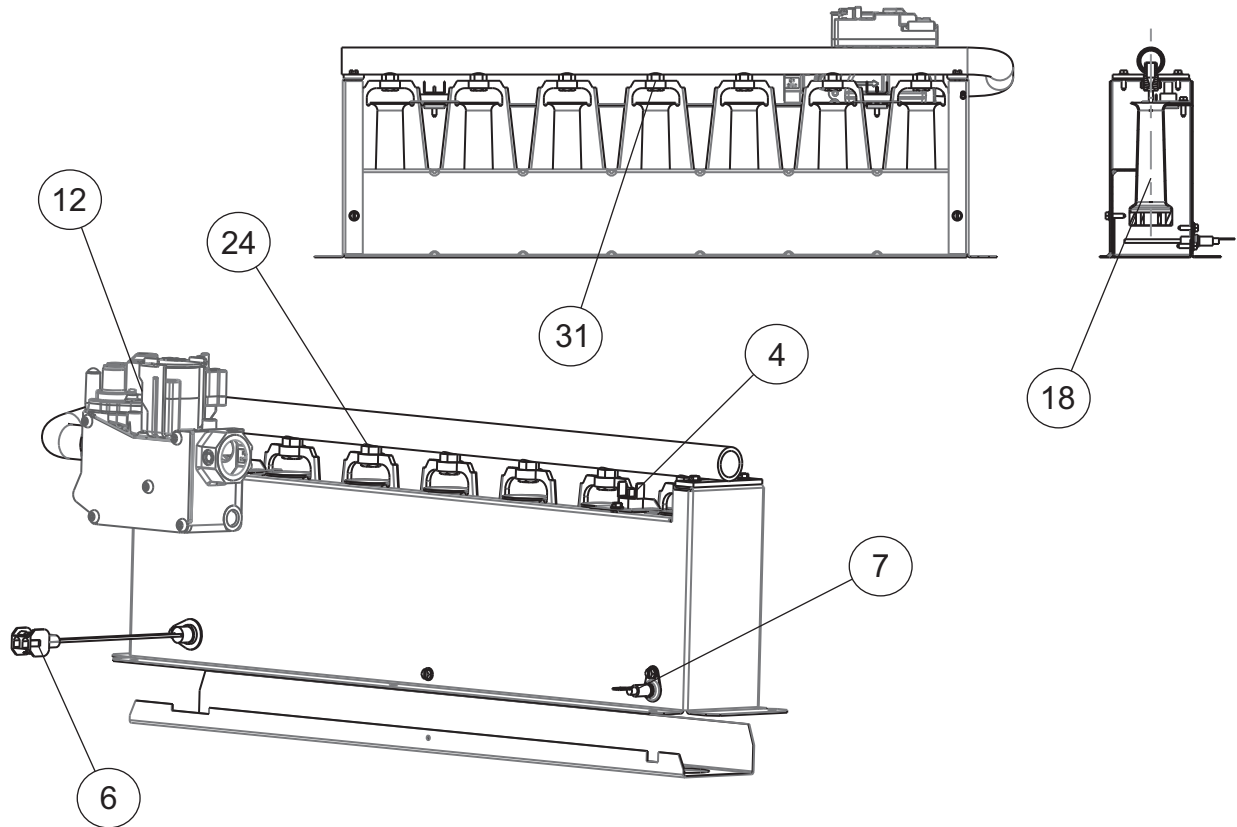


Figure 3: GAS CONTROLS

FIG	ITEM	DESCRIPTION	TM8Y100C16MP11A	TM8Y100C20MP11A	TM8Y120C20MP11A
			(5 BURNER)	(5 BURNER)	(6 BURNER)
<b>MOTOR</b>					
2	1	MOTOR, BLOWER	S1-02436094000	S1-02436095000	S1-02436095000
1,2	2	BLOWER, COMBUSTION	S1-02645747000	S1-02645747000	S1-02645747000
<b>ELECTRICAL</b>					
*	3	CHOKE, ECM	---	S1-02435605000	S1-02435605000
2	4	SWITCH, LIMIT (250 Deg Man Reset, 2 Req'd)	S1-02541318000	S1-02541318000	S1-02541318000
2	5	CONTROL, FURNACE	S1-33103494000	S1-33103494000	S1-33103494000
3	6	IGNITER	S1-02545231000	S1-02545231000	S1-02545231000
3	7	SENSOR, FLAME	S1-02537499000	S1-02537499000	S1-02537499000
1,2	8	SWITCH, PRESSURE	S1-02435903000	S1-02435903000	S1-02435903000
2	9	SWITCH, DOOR	S1-02435738000	S1-02435738000	S1-02435738000
2	10	TRANSFORMER	S1-2940A3541	S1-2940A3541	S1-2940A3541
1,3	11	VALVE, GAS	S1-02544124000	S1-02544124000	S1-02544124000
2	12	CONTROL, TEMPERATURE	S1-02541336000	S1-02547297000	S1-02547297000
	13				
	14				
<b>AIR MOVING</b>					
2	15	HOUSING, BLOWER	S1-37327824002	S1-37327824003	S1-37327824003
2	16	WHEEL, BLOWER	S1-02619654014	S1-02638510000	S1-02638510000

NOTE: \*Not Shown

New replacement parts shown in **bold** face type at the first printing of parts list dated 11/15.

Major components and suggested stocking items are shown with shaded item number.

"<" Across from row indicates a change in that row.

--- Not applicable to specified model.



FIG	ITEM	DESCRIPTION	TM8Y100C16MP11A	TM8Y100C20MP11A	TM8Y120C20MP11A
			(5 BURNER)	(5 BURNER)	(6 BURNER)
<b>FABRICATED PARTS</b>					
2	17	BAFFLE, FLUE	S1-07327921001	S1-07327921001	S1-07327829005
3	18	BURNER, MAIN GAS	S1-02920482000	S1-02920482000	S1-02920482000
2	20	SHELF, BLOWER	S1-07327823003	S1-07327823004	S1-07327823004
2	21	RAIL, BLOWER (2 Req'd)	S1-07327825001	S1-07327825001	S1-07327825001
2	22	BRACKET, BLOWER TRACK (2 Req'd)	S1-07327825002	S1-07327825002	S1-07327825002
2	23	HEAT EXCHANGER ASS'Y	S1-37327830006	S1-37327830006	S1-37327830007
3	24	MANIFOLD, GAS	S1-02924469000	S1-02924469000	S1-02924470000
1	25	PAN, BOTTOM	S1-07327841003	S1-07327841003	S1-07327841003
1	26	PANEL, TOP	S1-07327828003	S1-07327828003	S1-07327828004
1	27A	PANEL, DOOR (Lower)	S1-37327822003	S1-37327822003	S1-37327822003
1	27B	PANEL, DOOR (Upper)	<b>S1-37339423003</b>	<b>S1-37339423003</b>	<b>S1-37339423003</b>
2	28	VENT PAN, COMBUSTION (w/Gasket)	S1-07327826001	S1-07327826001	S1-07327826002
1	29	PANEL, BLOCKOFF	S1-07327827003	S1-07327827003	S1-07327827003
*	30	LO-NOX SCREEN	S1-02635452000	S1-02635452000	S1-02635452000
<b>MISCELLANEOUS</b>					
3	31	ORIFICE, BURNER (Natural #45)	S1-02921182045	S1-02921182045	S1-02921182045
1	32	SIGHT GLASS, OVAL (2 Req'd)	S1-02538899000	S1-02538899000	S1-02538899000
*	33	GASKET, FOAM (Door) (per ft.)	S1-02817061000	S1-02817061000	S1-02817061000
2	34	GASKET, INTAKE PAN	S1-02815510000	S1-02815510000	S1-02815511000
1	35	PLUG, VENT HOLE	S1-02815516000	S1-02815516000	S1-02815516000
2	36	BRACKET, DOOR	S1-02815514000	S1-02815514000	S1-02815514000
*	37	WIRING HARNESS, MAIN	S1-02543234000	S1-02543234000	S1-02543234000
2	38	FERRULE (3 Req'd)	S1-02320541000	S1-02320541000	S1-02320541000
2	39	GROMMET (3 Req'd)	S1-02814740000	S1-02814740000	S1-02814740000
2	40	MOTOR MOUNT (Includes item 38 & 39)	S1-37319831002	S1-37319831002	S1-37319831002
2	41	TUBING, SQUARE SILICON (12")	S1-02817111000	S1-02817111000	S1-02817111000
*	42	DIAGRAM, WIRING	5111808	5111808	5111808
1	43	KNOB, QUARTER TURN (4 Req'd)	S1-02924485000	S1-02924485000	S1-02924485000
*	44	WIRING HARNESS, MOTOR POWER	S1-02543662000	S1-02543662000	S1-02543662000
*	45	WIRING HARNESS, MOTOR CONTROL	S1-02543663000	S1-02543663000	S1-02543663000
*	46	PLUG, 7/8"	S1-02815853000	S1-02815853000	S1-02815853000

NOTE: \*Not Shown  
 New replacement parts shown in **bold** face type at the first printing of parts list dated 11/15.  
 Major components and suggested stocking items are shown with shaded item number.   
 "<" Across from row indicates a change in that row.  
 --- Not applicable to specified model.

**TO ORDER AUTHORIZED FACTORY REPLACEMENT PARTS** - Contact your Source1 HVAC Parts Distributor or visit our website at **www.Source1Parts.com** for a Distributor and Dealer listing.