



www.Source1Parts.com

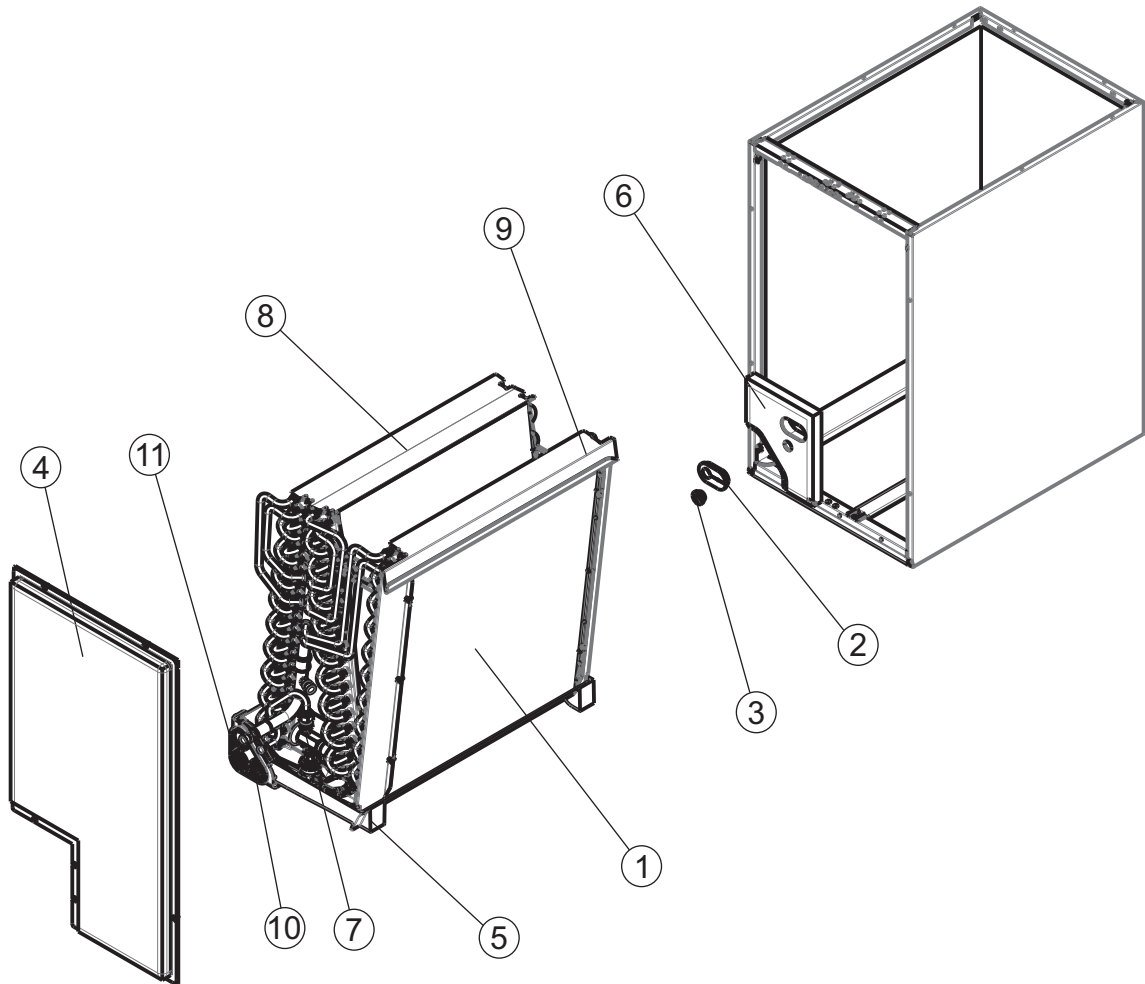
**CF SERIES  
FULL CASED COIL  
ALUM COIL MODELS W/TXVS (STYLE A)**

**HVAC SERVICE PARTS**

Supersedes: 035-24532-001 Rev. B (1016)

035-24532-001 Rev. C (0417)

1 of 2



**Figure 1 : FULL CASED COIL W/TXV**

ITEM	DESCRIPTION	CF18ABAA1A	CF18BBAA1A	CF24ABAA1A	CF24BBAA1A
1	Coil w/Drain Pan (No TXV)	S1-37339406005	S1-37339406006	S1-37339406007	S1-37339406008
2	Gasket, Oval	<b>S1-02817078001</b>	S1-02817078001	S1-02817077001	S1-02817077001
3	Grommet, Liquid Line	S1-02813209000	S1-02813209000	S1-02813209000	S1-02813209000
4	Assy, Lower Access Panel	S1-37339402001	S1-37339402004	S1-37339402001	S1-37339402004
5	Pan, Drain	S1-02817096000	S1-02817097000	S1-02817096000	S1-02817097000
6	Panel, Tubing Access	S1-37339403001	S1-37339403001	S1-37339403001	S1-37339403001
7	TXV	S1-1TVMBA1	S1-1TVMBA1	S1-1TVMBA1	S1-1TVMBA1
8	Shield, Blow-off, LH	S1-07339408003	S1-07339408003	S1-07339408003	S1-07339408003
9	Shield, Blow-off, RH	S1-07339408001	S1-07339408001	S1-07339408001	S1-07339408001
10	Plug, Drain Pan (2 Req'd)	S1-02812480000	S1-02812480001	S1-02812480001	S1-02812480001
11	Gasket, Drain Pan	S1-02817104000	S1-02817104000	S1-02817104000	S1-02817104000

**NOTE:** \*Not Shown

New replacement parts shown in **bold** face type at the first printing of parts list dated 4/17

Major components and suggested stocking items are shown with shaded item number.

"<" Across from row indicates a change in that row.

--- Not applicable to specified model.



ITEM	DESCRIPTION	CF30ABAA1A	CF30BBBA1A
1	Coil w/Drain Pan (No TXV)	S1-373394060013	S1-37339406014
2	Gasket, Oval	S1-02817077001	S1-02817077001
3	Grommet, Liquid Line	S1-02813209000	S1-02813209000
4	Assy, Lower Access Panel	S1-37339402003	S1-37339402005
5	Pan, Drain	S1-02817096000	S1-02817097000
6	Panel, Tubing Access	S1-37339403001	S1-37339403001
7	TXV	S1-1TVMBA1	S1-1TVMBB1
8	Shield, Blow-off, LH	S1-07339408003	S1-07339408003
9	Shield, Blow-off, RH	S1-07339408001	S1-07339408001
10	Plug, Drain Pan (2 Req'd)	S1-02812480001	S1-02812480001
11	Gasket, Drain Pan	S1-02817104000	S1-02817104000

ITEM	DESCRIPTION	CF36BBCA1A	CF42BBHA1A	CF42CBCA1A
1	Coil w/Drain Pan (No TXV)	S1-37339406018	S1-37339406021	S1-37339406022
2	Gasket, Oval	S1-02817077001	S1-02817077001	S1-02817077001
3	Grommet, Liquid Line	S1-02813209000	S1-02813209000	S1-02813209000
4	Assy, Lower Access Panel	S1-37339402006	S1-37339402006	S1-37339402009
5	Pan, Drain	S1-02817097000	S1-02817097000	S1-02817098000
6	Panel, Tubing Access	S1-37339403001	S1-37339403001	S1-37339403001
7	TXV	S1-1TVMBC1	S1-1TVMBH1	S1-1TVMBC1
8	Shield, Blow-off, LH	S1-07339408003	S1-07339408003	S1-07339408003
9	Shield, Blow-off, RH	S1-07339408001	S1-07339408001	S1-07339408001
10	Plug, Drain Pan (2 Req'd)	S1-02812480001	S1-02812480001	S1-02812480001
11	Gasket, Drain Pan	S1-02817104000	S1-02817104000	S1-02817104000

ITEM	DESCRIPTION	CF48CBCA1A	CF60DBDA1A	CF60CBDA1A
1	Coil w/Drain Pan (No TXV)	S1-37339406024	S1-37339405004	S1-37339405003
2	Gasket, Oval	S1-02817077001	S1-02817077001	S1-02817077001
3	Grommet, Liquid Line	S1-02813209000	S1-02813209000	S1-02813209000
4	Assy, Lower Access Panel	S1-37339402010	S1-37339402015	S1-37339402011
5	Pan, Drain	S1-02817098000	S1-02817099000	S1-02817098000
6	Panel, Tubing Access	S1-37339403001	S1-37339403001	S1-37339403001
7	TXV	S1-1TVMBC1	S1-1TVMBD1	S1-1TVMBD1
8	Shield, Blow-off, LH	S1-07339408003	S1-07339408003	S1-07339408003
9	Shield, Blow-off, RH	S1-07339408001	S1-07339408001	S1-07339408001
10	Plug, Drain Pan (2 Req'd)	S1-02812480001	S1-02812480001	S1-02812480001
11	Gasket, Drain Pan	S1-02817104000	S1-02817104000	S1-02817104000

**NOTE:** \*Not Shown  
 New replacement parts shown in **bold** face type at the first printing of parts list dated 4/17  
 Major components and suggested stocking items are shown with shaded item number.  
 "<" Across from row indicates a change in that row.  
 --- Not applicable to specified model.



**TO ORDER AUTHORIZED FACTORY REPLACEMENT PARTS** - Contact your Source1 HVAC Parts Distributor or visit our website at [www.Source1Parts.com](http://www.Source1Parts.com) for a Distributor and Dealer listing.