

PARTS LIST

■ ELECTRICAL PARTS

■ WARNING

- Components having special characteristics are marked  and must be replaced with parts having specifications equal to those originally installed.

ABBREVIATIONS IN THIS LIST ARE AS FOLLOWS:

C.A.EL.CHP	: CHIP ALUMI.ELECTROLYTIC CAP	L.EMIT	: LIGHT EMITTING MODULE
C.CE	: CERAMIC CAP	LED.DSPLY	: LED DISPLAY
C.CE.ARRAY	: CERAMIC CAP ARRAY	LED.INFRD	: LED,INFRARED
C.CE.CHP	: CHIP CERAMIC CAP	MODUL.RF	: MODULATOR,RF
C.CE.ML	: MULTILAYER CERAMIC CAP	PHOT.CPL	: PHOTO COUPLER
C.CE.M.CHP	: CHIP MULTILAYER CERAMIC CAP	PHOT.INTR	: PHOTO INTERRUPTER
C.CE.SAFTY	: RECOGNIZED CERAMIC CAP	PHOT.RFLCT	: PHOTO REFLECTOR
C.CE.TUBLR	: CERAMIC TUBULAR CAP	PIN.TEST	: PIN,TEST POINT
C.CE.SMI	: SEMI CONDUCTIVE CERAMIC CAP	PLST.RIVET	: PLASTIC RIVET
C.EL	: ELECTROLYTIC CAP	R.ARRAY	: RESISTOR ARRAY
C.MICA	: MICA CAP	R.CAR.	: CARBON RESISTOR
C.ML.FLM	: MULTILAYER FILM CAP	R.CAR.CHP	: CHIP RESISTOR
C.MP	: METALLIZED PAPER CAP	R.CAR.FP	: FLAME PROOF CARBON RESISTOR
C.MYLAR	: MYLAR FILM CAP	R.FUS	: FUSABLE RESISTOR
C.MYLAR.ML	: MULTILAYER MYLAR FILM CAP	R.MTL.CHP	: CHIP METAL FILM RESISTOR
C.PAPER	: PAPER CAPACITOR	R.MTL.FLM	: METAL FILM RESISTOR
C.PLS	: POLYSTYRENE FILM CAP	R.MTL.OXD	: METAL OXIDE FILM RESISTOR
C.POL	: POLYESTER FILM CAP	R.MTL.PLAT	: METAL PLATE RESISTOR
C.POLY	: POLYETHYLENE FILM CAP	RSNR.CE	: CERAMIC RESONATOR
C.PP	: POLYPROPYLENE FILM CAP	RSNR.CRYS	: CRYSTAL RESONATOR
C.TNTL	: TANTALUM CAP	R.TW.CEM	: TWIN CEMENT FIXED RESISTOR
C.TNTL.CHP	: CHIP TANTALUM CAP	R.CEMENT	: CEMENT RESISTOR
C.TRIM	: TRIMMER CAP	SCR.BND.HD	: BIND HEAD B-TITE SCREW
CN	: CONNECTOR	SCR.BW.HD	: BW HEAD TAPPING SCREW
CN.BS.PIN	: CONNECTOR,BASE PIN	SCR.CUP	: CUP TITE SCREW
CN.CANNON	: CONNECTOR,CANNON	SCR.TERM	: SCREW TERMINAL
CN.DIN	: CONNECTOR,DIN	SCR.TR	: SCREW,TRANSISTOR
CN.FLAT	: CONNECTOR,FLAT CABLE	SUPRT.PCB	: SUPPORT,P.C.B.
CN.POST	: CONNECTOR,BASE POST	SURG.PRTCT	: SURGE PROTECTOR
COIL.MX.AM	: COIL,AM MIX	SW.TACT	: TACT SWITCH
COIL.AT.FM	: COIL,FM ANTENNA	SW.LEAF	: LEAF SWITCH
COIL.DT.FM	: COIL,FM DETECT	SW.LEVER	: LEVER SWITCH
COIL.MX.FM	: COIL,FM MIX	SW.MICRO	: MICRO SWITCH
COIL.OUTPT	: OUTPUT COIL	SW.PUSH	: PUSH SWITCH
DIOD.ARRAY	: DIODE ARRAY	SW.RT.ENC	: ROTARY ENCODER
DIODE.BRG	: DIODE BRIDGE	SW.RT.MTR	: ROTARY SWITCH WITH MOTOR
DIODE.CHP	: CHIP DIODE	SW.RT	: ROTARY SWITCH
DIODE.VAR	: VARACTOR DIODE	SW.SLIDE	: SLIDE SWITCH
DIOD.Z.CHP	: CHIP ZENER DIODE	TERM.SP	: SPEAKER TERMINAL
DIODE.ZENR	: ZENER DIODE	TERM.WRAP	: WRAPPING TERMINAL
DSCR.CE	: CERAMIC DISCRIMINATOR	THRMST.CHP	: CHIP THERMISTOR
FER.BEAD	: FERRITE BEADS	TR.CHP	: CHIP TRANSISTOR
FER.CORE	: FERRITE CORE	TR.DGT	: DIGITAL TRANSISTOR
FET.CHP	: CHIP FET	TR.DGT.CHP	: CHIP DIGITAL TRANSISTOR
FL.DSPLY	: FLUORESCENT DISPLAY	TRANS	: TRANSFORMER
FLTR.CE	: CERAMIC FILTER	TRANS.PULS	: PULSE TRANSFORMER
FLTR.COMB	: COMB FILTER MODULE	TRANS.PWR	: POWER TRANSFORMER ASS'Y
FLTR.LC.RF	: LC FILTER,EMI	TUNER.AM	: TUNER PACK,AM
GND.MTL	: GROUND PLATE	TUNER.FM	: TUNER PACK,FM
GND.TERM	: GROUND TERMINAL	TUNER.PK	: FRONT-ENDTUNER PACK
HOLDER.FUS	: FUSE HOLDER	VR	: ROTARY POTENTIOMETER
IC.PRTCT	: IC PROTECTOR	VR.MTR	: POTENTIOMETER WITH MOTOR
JUMPER.CN	: JUMPER CONNECTOR	VR.SW	: POTENTIOMETER WITH ROTARY SW
JUMPER.TST	: JUMPER,TEST POINT	VR.SLIDE	: SLIDE POTENTIOMETER
L.DTCT	: LIGHT DETECTING MODULE	VR.TRIM	: TRIMMER POTENTIOMETER

P.C.B. DSP

Ref. No.	Part No.	Description	Markets
	WG078400	P. C. B.	DSP
* CB1	WE161800	CN	CAM-C16 4P SE
* CB2	VF982300	CN. BS. PIN	17P
CB3	VB858700	CN. BS. PIN	8P
CB4-5	V9356900	CN	JE 19P SE
CB21	V9356900	CN	JE 19P SE
CB22	VQ044900	CN. BS. PIN	19P
C5	US035100	C. CE. CHP	0. 1uF 16V B
C6	US035100	C. CE. CHP	0. 1uF 16V B
C7	US060500	C. CE. CHP	5pF 50V B
C8	US035100	C. CE. CHP	0. 1uF 16V B
C9	US060500	C. CE. CHP	5pF 50V B
C10-16	US035100	C. CE. CHP	0. 1uF 16V B
C17	US061470	C. CE. CHP	47pF 50V B
C20	US061470	C. CE. CHP	47pF 50V B
C23	US061470	C. CE. CHP	47pF 50V B
C24-25	US035100	C. CE. CHP	0. 1uF 16V B
C26	US135100	C. CE. CHP	0. 1uF 16V
C29	US061470	C. CE. CHP	47pF 50V B
C30	US061470	C. CE. CHP	47pF 50V B
C31-33	US061220	C. CE. CHP	22pF 50V B
C34-39	US135100	C. CE. CHP	0. 1uF 16V
C40-42	US135100	C. CE. CHP	0. 1uF 16V
C43-45	UR237220	C. EL	22uF 16V
C46	UU238330	C. EL	330uF 16V
C47	UR237470	C. EL	47uF 16V
C48	US135100	C. CE. CHP	0. 1uF 16V
C49	UR237470	C. EL	47uF 16V
C50-52	US135100	C. CE. CHP	0. 1uF 16V
C53	UR237220	C. EL	22uF 16V
C54-55	US135100	C. CE. CHP	0. 1uF 16V
C57	US135100	C. CE. CHP	0. 1uF 16V
C58	UU238100	C. EL	100uF 16V
C59	UR218100	C. EL	100uF 6. 3V
C60	US135100	C. CE. CHP	0. 1uF 16V
C62-63	US135100	C. CE. CHP	0. 1uF 16V
C64	VE326000	C. MYLAR	0. 1uF 50V
C65	VE326600	C. MYLAR	0. 33uF 50V J
C66	UA654220	C. MYLAR	0. 022uF 50V J
C68	UR237470	C. EL	47uF 16V
C69	US135100	C. CE. CHP	0. 1uF 16V
C70	US135100	C. CE. CHP	0. 1uF 16V
C71	UR218100	C. EL	100uF 6. 3V
C72	US135100	C. CE. CHP	0. 1uF 16V
C74-75	US135100	C. CE. CHP	0. 1uF 16V
C76	UU238100	C. EL	100uF 16V
C78	US135100	C. CE. CHP	0. 1uF 16V
C80	UU267470	C. EL	47uF 50V

* New Parts

P.C.B. DSP

Ref. No.	Part No.	Description	Markets
C81	US061470	C. CE. CHP	47pF 50V B
C82	US135100	C. CE. CHP	0. 1uF 16V
C83	UU267470	C. EL	47uF 50V
C84	UU238100	C. EL	100uF 16V
C85-89	US135100	C. CE. CHP	0. 1uF 16V
C90	US063100	C. CE. CHP	1000pF 50V B
C91-93	US135100	C. CE. CHP	0. 1uF 16V
C94	UU219100	C. EL	1000uF 6. 3V
C95	UU267470	C. EL	47uF 50V
C97	UR237100	C. EL	10uF 16V
C98-99	US135100	C. CE. CHP	0. 1uF 16V
C100-118	US135100	C. CE. CHP	0. 1uF 16V
C119	UR237100	C. EL	10uF 16V
C120	US126100	C. CE. CHP	1uF 10V
C121-122	US135100	C. CE. CHP	0. 1uF 16V
C125	US135100	C. CE. CHP	0. 1uF 16V
C126	US062100	C. CE. CHP	100pF 50V B
C129-131	US135100	C. CE. CHP	0. 1uF 16V
C132	UR237100	C. EL	10uF 16V
C133-138	US135100	C. CE. CHP	0. 1uF 16V
C143-146	US135100	C. CE. CHP	0. 1uF 16V
C147-153	US061470	C. CE. CHP	47pF 50V B
C154-170	US135100	C. CE. CHP	0. 1uF 16V
C171	UR238100	C. EL	100uF 16V
C172	UU238100	C. EL	100uF 16V
C173-174	US135100	C. CE. CHP	0. 1uF 16V
C175-177	US063100	C. CE. CHP	1000pF 50V B
C178-179	US135100	C. CE. CHP	0. 1uF 16V
C180-182	US063100	C. CE. CHP	1000pF 50V B
C183-184	US135100	C. CE. CHP	0. 1uF 16V
C185	UU238100	C. EL	100uF 16V
C186	US035100	C. CE. CHP	0. 1uF 16V B
C187	UR237100	C. EL	10uF 16V
C188	UR237220	C. EL	22uF 16V
C189-190	US135100	C. CE. CHP	0. 1uF 16V
C191	UU267100	C. EL	10uF 50V
C192	US135100	C. CE. CHP	0. 1uF 16V
C193	UU267100	C. EL	10uF 50V
C194-198	US135100	C. CE. CHP	0. 1uF 16V
C199	UR237220	C. EL	22uF 16V
C200	US135100	C. CE. CHP	0. 1uF 16V
C201	UU267100	C. EL	10uF 50V
C202	US135100	C. CE. CHP	0. 1uF 16V
C203	UU267100	C. EL	10uF 50V
C204	US135100	C. CE. CHP	0. 1uF 16V
C205-208	UA652100	C. MYLAR	100pF 50V J
C209	US135100	C. CE. CHP	0. 1uF 16V
C210	US063470	C. CE. CHP	4700pF 50V B

* New Parts

HTR-5990

P.C.B. DSP

Ref. No.	Part No.	Description	Markets
C211-212	UA654220	C. MYLAR 0.022uF 50V J	
C213	US062470	C. CE. CHP 470pF 50V B	
C214	US135100	C. CE. CHP 0.1uF 16V	
C215-218	UA652470	C. MYLAR 470pF 50V J	
C219	UR237100	C. EL 10uF 16V	
C220-221	US135100	C. CE. CHP 0.1uF 16V	
C222-224	UU267100	C. EL 10uF 50V	
C225-227	US135100	C. CE. CHP 0.1uF 16V	
C228	UU267100	C. EL 10uF 50V	
C229	US135100	C. CE. CHP 0.1uF 16V	
C230	UR237100	C. EL 10uF 16V	
C231	UR237220	C. EL 22uF 16V	
C232-233	UU267220	C. EL 22uF 50V	
C234-235	US135100	C. CE. CHP 0.1uF 16V	
C236-237	UR237470	C. EL 47uF 16V	
C238-241	US135100	C. CE. CHP 0.1uF 16V	
C242-243	US064100	C. CE. CHP 0.01uF 50V B	
C244	US063470	C. CE. CHP 4700pF 50V B	
C245	US062470	C. CE. CHP 470pF 50V B	
C246-251	US135100	C. CE. CHP 0.1uF 16V	
C252	UR237100	C. EL 10uF 16V	
C253	UR837100	C. EL 10uF 16V	
C254	US135100	C. CE. CHP 0.1uF 16V	
C256	UR837470	C. EL 47uF 16V	
C257	US135100	C. CE. CHP 0.1uF 16V	
C258	US135100	C. CE. CHP 0.1uF 16V	
C259-260	UR837470	C. EL 47uF 16V	
C261-263	US135100	C. CE. CHP 0.1uF 16V	
C264-265	UR837100	C. EL 10uF 16V	
C268-269	US135100	C. CE. CHP 0.1uF 16V	
C270-271	UR837470	C. EL 47uF 16V	
C272	US135100	C. CE. CHP 0.1uF 16V	
C274	UU238100	C. EL 100uF 16V	
C279	US135100	C. CE. CHP 0.1uF 16V	
C283-288	US135100	C. CE. CHP 0.1uF 16V	
C289-294	UU238100	C. EL 100uF 16V	
C295-299	US135100	C. CE. CHP 0.1uF 16V	
C300	US135100	C. CE. CHP 0.1uF 16V	
C301-306	UU267100	C. EL 10uF 50V	
C307-312	UU238100	C. EL 100uF 16V	
C313-318	US135100	C. CE. CHP 0.1uF 16V	
C319-323	UA652560	C. MYLAR 560pF 50V J	
C324-328	UA653680	C. MYLAR 6800pF 50V J	
C329-330	UA654560	C. MYLAR 0.056uF 50V J	
C331-334	UA653680	C. MYLAR 6800pF 50V J	
C335-339	UA652390	C. MYLAR 390pF 50V J	
C340-341	UA654150	C. MYLAR 0.015uF 50V J	
C342-350	UA652390	C. MYLAR 390pF 50V J	

* New Parts

P.C.B. DSP

Ref. No.	Part No.	Description	Markets
C351-352	UA654150	C. MYLAR 0.015uF 50V J	
C353-356	UA652390	C. MYLAR 390pF 50V J	
C368-374	UU267100	C. EL 10uF 50V	
C375-376	UR237100	C. EL 10uF 16V	
C377-378	UU267100	C. EL 10uF 50V	
C379-390	US135100	C. CE. CHP 0.1uF 16V	
C391-396	UR237470	C. EL 47uF 16V	
C399	US061470	C. CE. CHP 47pF 50V B	
C400	US061470	C. CE. CHP 47pF 50V B	
C401-409	US135100	C. CE. CHP 0.1uF 16V	
C411-412	US135100	C. CE. CHP 0.1uF 16V	
C413-419	US163100	C. CE. CHP 1000pF 50V	
C423	US063100	C. CE. CHP 1000pF 50V B	
C426	UR238100	C. EL 100uF 16V	
C531-534	UA653270	C. MYLAR 2700pF 50V J	
C535-548	US061470	C. CE. CHP 47pF 50V B	
C551-573	US135100	C. CE. CHP 0.1uF 16V	
C574-594	US163100	C. CE. CHP 1000pF 50V	
C595-599	US135100	C. CE. CHP 0.1uF 16V	
C600-608	US135100	C. CE. CHP 0.1uF 16V	
D1	WE674800	D1ODE AVRL161A1R1NTB	
D2	WE674800	D1ODE AVRL161A1R1NTB	
D3	WE674800	D1ODE AVRL161A1R1NTB	
D5	VT332900	D1ODE 1SS355	
D7	VT332900	D1ODE 1SS355	
D13	VT332900	D1ODE 1SS355	
D14-19	VV220700	D1ODE. SHOT RB501V-40	
D20-23	VV220700	D1ODE. SHOT RB501V-40	
IC501	X3936A00	IC SN74LVU04APWR	
IC502	X5482A00	IC NE5532DR OP AMP	
IC504-505	XN518A00	IC SN74LS151NSR 8-1 S	
IC506	X6989A00	IC LC89057W-VF4A-E	
IC507	X5945A00	IC P0012FZ01ZPH	
IC508	XZ003A00	IC PQ025EZ5MZP 2.5V	
IC509	X6051A00	IC UPC29M33T-E1-AZ	
IC510	X2080A00	IC SN74AHCT1G32DCKR	
IC511	X3824A00	IC SN74AHCT08PWR	
IC513	X3693A00	IC SN74LV245APWR TRAN	
IC514	X6123A00	IC SN74LV157APWR	
IC515	X2590B00	IC W9816G6CH-7 SDRAM	
IC516	X3567A00	IC YSS930-SZ	
IC517	XV077B00	IC MSM514260E-60JS	
IC518	X3567A00	IC YSS930-SZ	
IC520	X3505A00	IC NJM2068MD-TE2	
IC525-530	X3505A00	IC NJM2068MD-TE2	
IC532	X6123A00	IC SN74LV157APWR	
IC533-534	XV894A00	IC TC74VHC153FT MULT I	

* New Parts

P.C.B. DSP & P.C.B. FUNCTION

P.C.B. FUNCTION

Ref. No.	Part No.	Description	Markets
IC539-540	X3505A00	IC	NJM2068MD-TE2
IC541	X6231A00	IC	AK4384ET
IC542	X7016A00	IC	MX29LV400BC-70G
IC550	X6227B00	IC	F2602E-01
IC551	X2080A00	IC	SN74AHCT1G32DCKR
IC552	X3693A00	IC	SN74LV245APWR TRAN
IC560	X5482A00	IC	NE5532DR OP AMP
IC564-569	X6873A00	IC	PCM1791ADBR
IC570	X6872A00	IC	PCM1804DBR
IC571	X3833A00	IC	SN74AHC1G08DCKR
PJ1	WF860400	JACK. PIN	LPR6520-G080FM
PN1	V9637500	PIN	L=70 #18
Q6	VD303700	TR	2SC3326 A,B
Q19	VV655400	TR. DGT	DTC114EKA
R41-42	HV753100	R. CAR. FP	1Ω 1/4W
R52-53	HV753100	R. CAR. FP	1Ω 1/4W
R59	HV753100	R. CAR. FP	1Ω 1/4W
R76	HV753100	R. CAR. FP	1Ω 1/4W
R98	HV753100	R. CAR. FP	1Ω 1/4W
R252-253	VP939600	R. MTL. FLM	2. 2Ω 1W
R273	HV753100	R. CAR. FP	1Ω 1/4W
R296	HV753100	R. CAR. FP	1Ω 1/4W
R298	HV753100	R. CAR. FP	1Ω 1/4W
R365-374	HV753470	R. CAR. FP	4. 7Ω 1/4W
R398-399	HV753470	R. CAR. FP	4. 7Ω 1/4W
U1	WB920900	CN. PHOT. SN	1P GP1FA513TZ0F
U2	WB920900	CN. PHOT. SN	1P GP1FA513TZ0F
U3	WB547900	CN. PHOT. SN	1P GP1FA513RZ0F
U4	WB547900	CN. PHOT. SN	1P GP1FA513RZ0F
U5	WB547900	CN. PHOT. SN	1P GP1FA513RZ0F
U6	WB547900	CN. PHOT. SN	1P GP1FA513RZ0F
XL1	WE436500	RSNR. CRY	45.1584MHz DSX840GA
XL2	V6931900	RESONATOR	24.576MHz DS0751SV
	WG080800	P. C. B.	FUNCTION
CB301	VB858700	CN. BS. PIN	8P
CB303	VM929900	CN. BS. PIN	15P
CB304	VQ046000	CN. BS. PIN	31P
CB305	VB858800	CN. BS. PIN	9P
CB306	LB919060	CN. BS. PIN	6P
CB307	V8810200	CN	JE 9P TE
CB308	VU446000	CN	JE 15P TE
CB309-310	V8875600	CN	JE 13P TE
CB311	V7826400	CN	14P TE TUC SERIES
CB312	V7826100	CN	11P TE TUC SERIES
CB313	V8875600	CN	JE 13P TE

* New Parts

Ref. No.	Part No.	Description	Markets
CB314-315	V9357000	CN	JE 19P TE
CB316	VU446000	CN	JE 15P TE
CB317-319	V9357000	CN	JE 19P TE
CB601	VU443800	CN	JE 15P SE
CB602	VB390100	CN. BS. PIN	5P
CB603	VB390500	CN. BS. PIN	9P
CB604	VQ047400	CN. BS. PIN	19P
CB605	LB919040	CN. BS. PIN	4P
CB606	VB389800	CN. BS. PIN	2P
CB607	VB390200	CN. BS. PIN	6P
CB608	LB918020	CN. BS. PIN	2P
C301	UR239100	C. EL	1000uF 16V
C303	US063100	C. CE. CHP	1000pF 50V B
C304	UR067100	C. EL	10uF 50V
C305	WB165500	C. EL	0. 33F 5. 5V
C306-307	UR219100	C. EL	1000uF 6. 3V
C308	US064100	C. CE. CHP	0. 01uF 50V B
C309	UR238100	C. EL	100uF 16V
C310-326	US135100	C. CE. CHP	0. 1uF 16V
C327-334	UR266220	C. EL	2. 2uF 50V
C335	UR239100	C. EL	1000uF 16V
C338	US064100	C. CE. CHP	0. 01uF 50V B
C339	UR266220	C. EL	2. 2uF 50V
C340	UR237470	C. EL	47uF 16V
C351	US135100	C. CE. CHP	0. 1uF 16V
C352	UR267470	C. EL	47uF 50V
C353	UR237470	C. EL	47uF 16V
C354	US135100	C. CE. CHP	0. 1uF 16V
C355-356	UR267470	C. EL	47uF 50V
C358-359	US062100	C. CE. CHP	100pF 50V B
C361-362	US062100	C. CE. CHP	100pF 50V B
C365-366	US062100	C. CE. CHP	100pF 50V B
C368-375	US062100	C. CE. CHP	100pF 50V B
C378-388	US062100	C. CE. CHP	100pF 50V B
C392	US062100	C. CE. CHP	100pF 50V B
C394-399	US062100	C. CE. CHP	100pF 50V B
C400-402	US062100	C. CE. CHP	100pF 50V B
C403	US135100	C. CE. CHP	0. 1uF 16V
C404	UR218220	C. EL	220uF 6. 3V
C405	US135100	C. CE. CHP	0. 1uF 16V
C406-407	US064100	C. CE. CHP	0. 01uF 50V B
C408-409	US062100	C. CE. CHP	100pF 50V B
C410-413	US135100	C. CE. CHP	0. 1uF 16V
C601-602	UR237100	C. EL	10uF 16V
C603	US135220	C. CE. CHP	0. 22uF 16V
C604-605	US135100	C. CE. CHP	0. 1uF 16V
C606-607	UR267470	C. EL	47uF 50V
C608	US135100	C. CE. CHP	0. 1uF 16V

* New Parts

P.C.B. FUNCTION

Ref. No.	Part No.	Description	Markets
C609-612	UR237100	C. EL 10uF 16V	
C613	US135100	C. CE. CHP 0.1uF 16V	
C614-618	UR237100	C. EL 10uF 16V	
C619-625	UR238100	C. EL 100uF 16V	*
C626-627	US062100	C. CE. CHP 100pF 50V B	
C628-630	UT952100	C. PP 100pF 100V	
C631-634	US062100	C. CE. CHP 100pF 50V B	
C635-636	UR266470	C. EL 4.7uF 50V	
C637-638	UR267470	C. EL 47uF 50V	
C639	UR266470	C. EL 4.7uF 50V	
C640-641	UR237100	C. EL 10uF 16V	*
C642-643	UR266470	C. EL 4.7uF 50V	
C644-645	UR266330	C. EL 3.3uF 50V	
C646-651	US135100	C. CE. CHP 0.1uF 16V	
C652	UR237470	C. EL 47uF 16V	
C653	US135100	C. CE. CHP 0.1uF 16V	
C654	WG781200	C. EL 33uF 25V	
C655	UR267470	C. EL 47uF 50V	
C656	WG782300	C. EL 10uF 50V	
C657	WG781200	C. EL 33uF 25V	
C658	UR237470	C. EL 47uF 16V	
C659	WG781200	C. EL 33uF 25V	
C660	UR237100	C. EL 10uF 16V	*
C661	WG781200	C. EL 33uF 25V	
C662	UR267470	C. EL 47uF 50V	
C663-665	WG781200	C. EL 33uF 25V	
C666	US135100	C. CE. CHP 0.1uF 16V	
C667-668	UR237470	C. EL 47uF 16V	
C669-670	US061470	C. CE. CHP 47pF 50V B	
C671	US062100	C. CE. CHP 100pF 50V B	
C672-673	UR237100	C. EL 10uF 16V	
C674-675	UT952100	C. PP 100pF 100V	
C676-681	UU267100	C. EL 10uF 50V	
C682-683	UR267470	C. EL 47uF 50V	
C684	UR237220	C. EL 22uF 16V	
C685-686	UU267100	C. EL 10uF 50V	*
C687	UR237220	C. EL 22uF 16V	
C688-689	US135100	C. CE. CHP 0.1uF 16V	
C690-691	UR267470	C. EL 47uF 50V	
C693	US135100	C. CE. CHP 0.1uF 16V	*
C695	US135100	C. CE. CHP 0.1uF 16V	
D301	VV833200	DIODE 1SS380	
D302-307	VT332900	DIODE 1SS355	
D308	VU992600	DIODE. ZENR MA8051-M 5.1V	
D309-310	VT332900	DIODE 1SS355	
D311	VU172000	DIODE. ZENR UDZS5.6BTE-17 5.6V	
D312	VU993700	DIODE. ZENR MA8068-L 6.6V	
D313	VU995300	DIODE. ZENR MA8100-L 9.7V	

* New Parts

P.C.B. FUNCTION & OPERATION

Ref. No.	Part No.	Description	Markets
D314	VU993700	DIODE. ZENR MA8068-L 6.6V	
D601-604	VT332900	DIODE 1SS355	
D605-606	VU993700	DIODE. ZENR MA8068-L 6.6V	
IC301	X7014A00	IC CPU M30845FJGP	(unwritten)
IC571	X5886A00	IC RH5RE58AA-T1-FA	
IC601	X5044A00	IC NJU7311AM	
IC602	X5045A00	IC NJU7312AM	
IC603	X5044A00	IC NJU7311AM	
IC604	X5043A00	IC NJU7313AM	
IC605-609	X3505A00	IC NJM2068MD-TE2	
IC610	X5574A00	IC YAC526-EZE2	
IC611	X4325A00	IC YAC523-EVR2	
IC612	XF291A00	IC uPC4570G2	
IC613	X3505A00	IC NJM2068MD-TE2	
IC614	XF291A00	IC uPC4570G2	
IC616	XF291A00	IC uPC4570G2	
PN301	V9637500	PIN L=70 #18	
PN601-606	V9637500	PIN L=70 #18	
Q301	WD974200	TR 2SA1036KT146 P, Q, R	
Q302	VV556500	TR 2SA1037K Q, R, S	
Q303-306	VD303700	TR 2SC3326 A, B	
Q307	iC287820	TR 2SC2878 A, B	
Q308-315	WF767900	FET 5HP01C-TB-E	
Q323	VD303700	TR 2SC3326 A, B	
Q324	iC181510	TR 2SC1815 Y	
Q326-327	VP872700	TR 2SC4488 S, T	
Q328	VP872600	TR 2SA1708 S, T	
Q603	VP872700	TR 2SC4488 S, T	
Q604	VP872600	TR 2SA1708 S, T	
Q605-606	VZ725900	TR 2SD1938F S, T	
Q609-610	VZ725900	TR 2SD1938F S, T	
Q613-628	VZ725900	TR 2SD1938F S, T	
R301	VP939800	R. MTL. OXD 10Ω 1W	
R677-678	V8070200	R. MTL. FLM 4.7Ω 1W	
R723	HF355330	R. CAR 330Ω 1/2W	
XL301	WF997400	RSNR. CE 20MHz	
	WG083600	P. C. B. OPERATION	
CB901	VB389800	CN. BS. PIN 2P	
CB902	VB390200	CN. BS. PIN 6P	
CB903	VB858500	CN. BS. PIN 6P	
CB904	VB390000	CN. BS. PIN 4P	
CB905	VB389900	CN. BS. PIN 3P	
CB906	VB390200	CN. BS. PIN 6P	
CB907-908	VB390300	CN. BS. PIN 7P	
CB911	V7825900	CN 9P TE TUC SERIES	

* New Parts

HTR-5990

P.C.B. OPERATION

Ref. No.	Part No.	Description	Markets
CB912	VQ046000	CN. BS. PIN	31P
CB913	VP798200	CN. BS. PIN	24P
C857-858	US063100	C. CE. CHP	1000pF 50V B
C883-884	US063100	C. CE. CHP	1000pF 50V B
C899	US135100	C. CE. CHP	0.1uF 16V
C900-901	UR237220	C. EL	22uF 16V
C902	US135100	C. CE. CHP	0.1uF 16V
C903	UR237100	C. EL	10uF 16V
C904	UA653100	C. MYLAR	1000pF 50V J
C905	US064100	C. CE. CHP	0.01uF 50V B
C906	UA653100	C. MYLAR	1000pF 50V J
C907-908	UR237100	C. EL	10uF 16V
C909	US061330	C. CE. CHP	33pF 50V B
C910	US135100	C. CE. CHP	0.1uF 16V
C911	UR817470	C. EL	47uF 6.3V
C912	UR237470	C. EL	47uF 16V
C913-914	US062470	C. CE. CHP	470pF 50V B
C915	US063100	C. CE. CHP	1000pF 50V B
C916-917	US062100	C. CE. CHP	100pF 50V B
C918	US135100	C. CE. CHP	0.1uF 16V
C919-920	US062100	C. CE. CHP	100pF 50V B
C921	UR237220	C. EL	22uF 16V
C922-923	US135100	C. CE. CHP	0.1uF 16V
C924-925	UR237100	C. EL	10uF 16V
C926	US135100	C. CE. CHP	0.1uF 16V
C927	US062100	C. CE. CHP	100pF 50V B
C928-929	US061100	C. CE. CHP	10pF 50V B
C930	UR237100	C. EL	10uF 16V
C931-932	WB553000	C. EL	1000uF 16V
C933	US063100	C. CE. CHP	1000pF 50V B
C934	US064100	C. CE. CHP	0.01uF 50V B
C941-942	US135100	C. CE. CHP	0.1uF 16V
C945	US135100	C. CE. CHP	0.1uF 16V
C954-958	US135100	C. CE. CHP	0.1uF 16V
D860	VU171900	DIODE. ZENR	UDZ5.1B 5.1V
D861-862	VV307700	DIODE	1N4002S
D868	WB071400	LED	BE SLR343BBT
D872-878	VT332900	DIODE	1SS355
IC853	X2080A00	IC	SN74AHCT1G32DCKR
IC854	XS377A00	IC	BA15218F OP AMP
IC855	XF291A00	IC	uPC4570G2
JK858	V9408200	JACK. PHONE	MSJ-064-05B GR
JK859	V2589500	CN. DIN	1P
JK860	WC814400	JACK. MNI	JY-3554-01-130
PJ854	V7190100	JACK. PIN	3P
PN901-903	V9637500	PIN	L=70 #18
Q864-865	VZ725900	TR	2SD1938F S, T
Q866	VV556400	TR	2SC2412K Q, R, S

* New Parts

P.C.B. OPERATION & P.C.B. MAIN

Ref. No.	Part No.	Description	Markets
Q868	VV655400	TR. DGT	DTC114EKA
R932-933	HF355100	R. CAR	100Ω 1/2W
R955-956	HL005220	R. MTL. OXD	220Ω 1/2W
ST853-854	WA246200	SCR. TERM	3.5
ST855-856	V4040500	SCR. TERM	M3
ST857	WA246200	SCR. TERM	3.5
SW851-853	V4757100	SW. TACT	EVQ11A
SW855	V9281200	SW. RT. ENC	EVEGC1F2512B
SW856	V4757100	SW. TACT	EVQ11A
SW857	WF875900	SW. PUSH	SPUN127100
SW858-866	V4757100	SW. TACT	EVQ11A
SW869	V9281200	SW. RT. ENC	EVEGC1F2512B
SW870-874	V4757100	SW. TACT	EVQ11A
U852	WB547900	CN. PHOT. SN	1P GP1FA513RZ0F
	WG075500	P. C. B.	MAIN
CB205	V7825800	CN	8P TE TUC SERIES
CB206	V7825500	CN	5P TE TUC SERIES
CB208	LB918030	CN. BS. PIN	3P
CB211	WB127100	CN. BS. PIN	3P TE XH
CB212	LB932060	CN. BS. PIN	6P
CB215	VB390300	CN. BS. PIN	7P
CB216	LB918020	CN. BS. PIN	2P
CB217	V7826100	CN	11P TE TUC SERIES
CB218	V7825400	CN	4P TE TUC SERIES
CB219	VB390400	CN. BS. PIN	8P
C201	VJ599100	C. CE. TUBLR	0.1uF 50V
C202	WE100900	C. PP	220pF 630V
C226	VJ599100	C. CE. TUBLR	0.1uF 50V
C234	WE100500	C. PP	100pF 630V
C235	UR297100	C. EL	10uF 100V
C236-237	WE100500	C. PP	100pF 630V
C238	UR297100	C. EL	10uF 100V
C239-240	WE100500	C. PP	100pF 630V
C241	UR397100	C. EL	10uF 100V
C242-243	WE100500	C. PP	100pF 630V
C244	UR397100	C. EL	10uF 100V
C245-246	WE100500	C. PP	100pF 630V
C247	UR297100	C. EL	10uF 100V
C248-249	WE100500	C. PP	100pF 630V
C250	UR297100	C. EL	10uF 100V
C251-252	WE100500	C. PP	100pF 630V
C253	UR297100	C. EL	10uF 100V
C254	WE100500	C. PP	100pF 630V
C255-256	VR169100	C. MYLAR	0.39uF 50V
C257	VR325300	C. MYLAR	0.047uF 100V

* New Parts

HTR-5990

P.C.B. MAIN

Ref. No.	Part No.	Description	Markets
C258	VR325300	C. MYLAR	0.047uF 100V
C259-260	UA654470	C. MYLAR	0.047uF 50V J
C261	VR325300	C. MYLAR	0.047uF 100V
C262	VR325300	C. MYLAR	0.047uF 100V
C263	VR325300	C. MYLAR	0.047uF 100V
C264-269	UR297100	C. EL	10uF 100V
C270	UR266470	C. EL	4.7uF 50V
C271	UR267330	C. EL	33uF 50V
C275-278	UA654100	C. MYLAR	0.01uF 50V J
C279	UA654220	C. MYLAR	0.022uF 50V J
C280-281	UA654100	C. MYLAR	0.01uF 50V J
C283-284	WG001700	C. EL	12000uF 71V
C286	UR268330	C. EL	330uF 50V
C287	UR268100	C. EL	100uF 50V
C288-289	VR324900	C. MYLAR	0.1uF 100V
C290-295	UA654220	C. MYLAR	0.022uF 50V J
C296-297	UA654100	C. MYLAR	0.01uF 50V J
C299	UA654100	C. MYLAR	0.01uF 50V J
C300	UA654100	C. MYLAR	0.01uF 50V J
C301	VR324900	C. MYLAR	0.1uF 100V
C302	VR324900	C. MYLAR	0.1uF 100V
C303-304	UA654220	C. MYLAR	0.022uF 50V J
C305	UA654100	C. MYLAR	0.01uF 50V J
C350-356	UA654100	C. MYLAR	0.01uF 50V J
D207-213	VD631600	DIODE	1SS133, 176
D214-222	WA180300	DIODE	1SS244
D225	VM976300	DIODE. ZENR	HZS242TD 24V
D227	VM976300	DIODE. ZENR	HZS242TD 24V
D228	VG443700	DIODE. ZENR	MTZJ33B 33V
D231	VM976300	DIODE. ZENR	HZS242TD 24V
D233	VM976300	DIODE. ZENR	HZS242TD 24V
D235	VM976300	DIODE. ZENR	HZS242TD 24V
D238	VM976300	DIODE. ZENR	HZS242TD 24V
D240-243	VS997800	DIODE	1T2
D246	VZ755200	DIODE. BRG	D15XB20 15A 200V
D247-253	VD631600	DIODE	1SS133, 176
D270-276	VG437500	DIODE. ZENR	MTZJ5.1C 5.1V
G201	V5995800	PLATE. GND	
IC201-202	X0515A00	IC	LM61CIZ THERMAL
PN201-208	V9637500	PIN	L=70 #18
Q213-214	VK432900	TR	2SD1915F S, T
Q215-216	iC224030	TR	2SC2240 GR, BL
Q217-219	VK432900	TR	2SD1915F S, T
Q220A	iX632610	TR	2SA1837 O, Y
Q220C	iX632620	TR	2SC4793 O, Y
Q221A	iX632610	TR	2SA1837 O, Y
Q221C	iX632620	TR	2SC4793 O, Y
Q222A	iX632610	TR	2SA1837 O, Y

* New Parts

P.C.B. MAIN

Ref. No.	Part No.	Description	Markets
Q222C	iX632620	TR	2SC4793 O, Y
Q223A	iX632610	TR	2SA1837 O, Y
Q223C	iX632620	TR	2SC4793 O, Y
Q224A	iX632610	TR	2SA1837 O, Y
Q224C	iX632620	TR	2SC4793 O, Y
Q225A	iX632610	TR	2SA1837 O, Y
Q225C	iX632620	TR	2SC4793 O, Y
Q226A	iX606460	TR	2SA1492 O, P, Y
Q226C	iX606470	TR	2SC3856 O, P, Y
Q227A	iX606460	TR	2SA1492 O, P, Y
Q227C	iX606470	TR	2SC3856 O, P, Y
Q228A	iX606460	TR	2SA1492 O, P, Y
Q228C	iX606470	TR	2SC3856 O, P, Y
Q229A	iX606460	TR	2SA1492 O, P, Y
Q229C	iX606470	TR	2SC3856 O, P, Y
Q230A	iX606460	TR	2SA1492 O, P, Y
Q230C	iX606470	TR	2SC3856 O, P, Y
Q231A	iX606460	TR	2SA1492 O, P, Y
Q231C	iX606470	TR	2SC3856 O, P, Y
Q232A	iX606460	TR	2SA1492 O, P, Y
Q232C	iX606470	TR	2SC3856 O, P, Y
Q233A	iX632610	TR	2SA1837 O, Y
Q233C	iX632620	TR	2SC4793 O, Y
Q248-254	iC224030	TR	2SC2240 GR, BL
Q255-256	VP872700	TR	2SC4488 S, T
Q257	iA101510	TR	2SA1015 Y
Q258	VP872700	TR	2SC4488 S, T
Q261-262	VP872700	TR	2SC4488 S, T
Q263-269	VR325600	TR	2SC2229 O, Y
Q280	VP872700	TR	2SC4488 S, T
R201	V3943000	R. MTL. FLM	4.7Ω 1/2W
R202-204	HV753470	R. CAR. FP	4.7Ω 1/4W
R212-213	HV753470	R. CAR. FP	4.7Ω 1/4W
R215-218	HV753470	R. CAR. FP	4.7Ω 1/4W
R220	HV753100	R. CAR. FP	1Ω 1/4W
R222	HV753100	R. CAR. FP	1Ω 1/4W
R263	V3946100	R. MTL. OXD	2.7KΩ 1/2W
R264	V3945100	R. MTL. OXD	390Ω 1/2W
R265	V3945500	R. MTL. OXD	820Ω 1/2W
R266	HV755120	R. CAR. FP	120Ω 1/4W
R267	V3946100	R. MTL. OXD	2.7KΩ 1/2W
R268	V3945100	R. MTL. OXD	390Ω 1/2W
R269	V3945500	R. MTL. OXD	820Ω 1/2W
R270	HV755120	R. CAR. FP	120Ω 1/4W
R271	V3946100	R. MTL. OXD	2.7KΩ 1/2W
R272	V3944900	R. MTL. OXD	270Ω 1/2W
R273	V3945600	R. MTL. OXD	1KΩ 1/2W
R274	HV755120	R. CAR. FP	120Ω 1/4W

* New Parts

P.C.B. MAIN & P.C.B. POWER

P.C.B. POWER

Ref. No.	Part No.	Description	Markets
R275	V3946100	R. MTL. OXD 2.7KΩ 1/2W	
R276	V3944900	R. MTL. OXD 270Ω 1/2W	
R277	V3945600	R. MTL. OXD 1KΩ 1/2W	*
⚠ R278	HV755120	R. CAR. FP 120Ω 1/4W	
R279	V3946100	R. MTL. OXD 2.7KΩ 1/2W	
R280	V3945100	R. MTL. OXD 390Ω 1/2W	*
R281	V3945500	R. MTL. OXD 820Ω 1/2W	
⚠ R282	HV755120	R. CAR. FP 120Ω 1/4W	
R283	V3946100	R. MTL. OXD 2.7KΩ 1/2W	
R284	V3945100	R. MTL. OXD 390Ω 1/2W	
R285	V3945500	R. MTL. OXD 820Ω 1/2W	
⚠ R286	HV755120	R. CAR. FP 120Ω 1/4W	
R287	V3946100	R. MTL. OXD 2.7KΩ 1/2W	
R288	V3945100	R. MTL. OXD 390Ω 1/2W	
R289	V3945500	R. MTL. OXD 820Ω 1/2W	
⚠ R290	HV755120	R. CAR. FP 120Ω 1/4W	
R291-297	V3945600	R. MTL. OXD 1KΩ 1/2W	
⚠ R298-299	HV755220	R. CAR. FP 220Ω 1/4W	
⚠ R300-304	HV755220	R. CAR. FP 220Ω 1/4W	
⚠ R305-318	HV753470	R. CAR. FP 4.7Ω 1/4W	
R319-320	V3873200	R. CEMENT 0.22Ω 3W	
R321-322	WB279900	R. CEMENT RGC55C 0.22+0.22	
R325	V3873200	R. CEMENT 0.22Ω 3W	
R326-327	WB279900	R. CEMENT RGC55C 0.22+0.22	
R349-355	VP939700	R. MTL. FLM 4.7Ω 1W	
R363-365	HV754100	R. CAR. FP 10Ω 1/4W	⚠
R367	HV754100	R. CAR. FP 10Ω 1/4W	
R371-373	HV754100	R. CAR. FP 10Ω 1/4W	
⚠ R380-382	V3942700	R. MTL. FLM 1Ω 1/2W	*
R387	HV756100	R. CAR. FP 1KΩ 1/4W	
⚠ R389	HV755100	R. CAR. FP 100Ω 1/4W	*
⚠ R400-404	HV754820	R. CAR. FP 82Ω 1/4W	
R422	HV754820	R. CAR. FP 82Ω 1/4W	
RY201-205	V6322600	RELAY DC DH24D2-OT(M)-SL	
RY206	WA544800	RELAY DC G5PA-28	
TE201	WD477700	TERM. SP LTS0810-1019FM	
TE202	WD756900	TERM. SP LTS3210-1004FM	
TE203	WD039300	TERM. SP LQR2411-0001FM	
TE204	WD477700	TERM. SP LTS0810-1019FM	
	VT669300	SCR. BW. HD 3x8-8 MFC2	
*	WG076400	P. C. B. POWER	
CB2-3	WC050700	CL. I.P. FUSE EYF-52BCY	
CB4	VS996100	HOLDER. FUS EYF64BC	
CB4	VS996100	HOLDER. FUS EYF64BC	
CB6	VS996100	HOLDER. FUS EYF64BC	

* New Parts

Ref. No.	Part No.	Description	Markets
CB6	VS996100	HOLDER. FUS EYF64BC	
CB7	VG879900	CN. BS. PIN 2P	
CB12	LB933030	CN. BS. PIN 3P	
CB13	LB919090	CN. BS. PIN 9P	
CB14	VB858400	CN. BS. PIN 5P	
CB16	LB918100	CN. BS. PIN 10P	
CB17	LB918050	CN. BS. PIN 5P	
CB20-21	VB389900	CN. BS. PIN 3P	
CB40	VB858700	CN. BS. PIN 8P	
CB41	V7827600	SOCKET 9P SE TUC SERIES	
CB42	V7827500	SOCKET 8P SE TUC SERIES	
CB43	V7827200	SOCKET 5P TE TUC SERIES	
CB44	VB858300	CN. BS. PIN 4P	
CB46	VB858500	CN. BS. PIN 6P	
CB47	V7827800	SOCKET 11P SE TUC SERIES	
CB48	V7827100	SOCKET 4P TE TUC SERIES	
CB324	VB858200	CN. BS. PIN 3P	
CB325	VB858300	CN. BS. PIN 4P	
C1	UR866220	C. EL 2.2uF 50V	
C2	UR266220	C. EL 2.2uF 50V	
C3	UA654100	C. MYLAR 0.01uF 50V J	
C4	WB687100	C. POL. MTL 0.047uF 400V	
C5	UR266100	C. EL 1uF 50V	
C6	UA653470	C. MYLAR 4700pF 50V J	
C7	WB696300	C. POL. MTL 0.1uF 400V	
⚠ C8	V6185300	C. CE. SAFTY 0.01uF 275V	
C9	WE102900	C. PP 0.01uF 100V	
C10	UU249330	C. EL 3300uF 25V	
C16-17	UU23A150	C. EL 15000uF 16V	
C18	UR239330	C. EL 3300uF 16V	
C19	UU23A150	C. EL 15000uF 16V	
C20	UR268100	C. EL 100uF 50V	
C21-22	UR267100	C. EL 10uF 50V	
C23	UR258470	C. EL 470uF 35V	
C24	UR249680	C. EL 6800uF 25V	
C25	UR249330	C. EL 3300uF 25V	
C26-29	UR267100	C. EL 10uF 50V	
C30-32	US035100	C. CE. CHP 0.1uF 16V B	
C33	US035100	C. CE. CHP 0.1uF 16V B	
C34-35	UR267470	C. EL 47uF 50V	
C36	UR238100	C. EL 100uF 16V	
C37-38	UR238100	C. EL 100uF 16V	
C39	UR238100	C. EL 100uF 16V	
C40	WE102900	C. PP 0.01uF 100V	
C41-45	V9415100	C. EL 10uF 16V	
C46	WE100400	C. PP 47pF 630V	
C47	WE100900	C. PP 220pF 630V	
C48	UR267100	C. EL 10uF 50V	

* New Parts

HTR-5990

P.C.B. POWER

Ref. No.	Part No.	Description	Markets
C49	WE100400	C. PP	47pF 630V
C50	WE100900	C. PP	220pF 630V
C51	UR267100	C. EL	10uF 50V
C52	WE100400	C. PP	47pF 630V
C53	WE100900	C. PP	220pF 630V
C54	UR267100	C. EL	10uF 50V
C55	WE100400	C. PP	47pF 630V
C56	WE100900	C. PP	220pF 630V
C57	UR267100	C. EL	10uF 50V
C58	WE100400	C. PP	47pF 630V
C59	WE100900	C. PP	220pF 630V
C60	UR267100	C. EL	10uF 50V
C61-62	UU268100	C. EL	100uF 50V
C63-64	UR267470	C. EL	47uF 50V
C65	UU268100	C. EL	100uF 50V
C66-69	WE100100	C. PP	15pF 630V
C70	WE100100	C. PP	15pF 630V
C71-75	WE101700	C. PP	1000pF 100V
C76	UR266470	C. EL	4.7uF 50V
C77	UR267470	C. EL	47uF 50V
C78	UR218220	C. EL	220uF 6.3V
C79	UR237100	C. EL	10uF 16V
C80	UR237100	C. EL	10uF 16V
C81	WE100400	C. PP	47pF 630V
C82	UA652220	C. MYLAR	220pF 50V J
C83	UR267100	C. EL	10uF 50V
C84	WE100400	C. PP	47pF 630V
C85	UA652220	C. MYLAR	220pF 50V J
C86	UR267100	C. EL	10uF 50V
C87-88	UR297220	C. EL	22uF 100V
C89	UR267470	C. EL	47uF 50V
C90	UR267470	C. EL	47uF 50V
C91-92	UA653100	C. MYLAR	1000pF 50V J
C93-94	WE100100	C. PP	15pF 630V
C95	WE100900	C. PP	220pF 630V
C96	UU238100	C. EL	100uF 16V
C98	UR267470	C. EL	47uF 50V
C99	UR297220	C. EL	22uF 100V
C100	UR297220	C. EL	22uF 100V
C101	UR267470	C. EL	47uF 50V
C102	US035100	C. CE. CHP	0.1uF 16V B
C103	US035100	C. CE. CHP	0.1uF 16V B
* C104-106	UU23A150	C. EL	15000uF 16V
C107	UR247100	C. EL	10uF 25V
C108	UR218470	C. EL	470uF 6.3V
C111	US035100	C. CE. CHP	0.1uF 16V B
C112-114	US065100	C. CE. CHP	0.1uF 50V B
C210	UR297470	C. EL	47uF 100V

* New Parts

P.C.B. POWER

Ref. No.	Part No.	Description	Markets
C369-371	US035100	C. CE. CHP	0.1uF 16V B
C372	UR267470	C. EL	47uF 50V
C495	UR267470	C. EL	47uF 50V
C499	UU266220	C. EL	2.2uF 50V
C500	UR267470	C. EL	47uF 50V
C501	UU266100	C. EL	1uF 50V
D1	VD631600	D1ODE	1SS133, 176
D2	VD631600	D1ODE	1SS133, 176
D3	VD631600	D1ODE	1SS133, 176
D4	VD631600	D1ODE	1SS133, 176
D5	WA631200	D1ODE. ZENR	HZS3B1TD 3.0V TP
D6	VG438300	D1ODE. ZENR	MTZJ6.8B 6.8V
D7	VG439500	D1ODE. ZENR	MTZJ10B 10V
D8	VD631600	D1ODE	1SS133, 176
D9	VG438700	D1ODE. ZENR	MTZJ7.5C 7.5V
⚠ D10	V4756800	D1ODE	S1NB60 1.0A 600V
⚠ D11	VR253700	D1ODE. BRG	S1NB20 1A 200V
⚠ D12-14	V6855600	D1ODE. BRG	D4SBS4-4101 4A
⚠ D15	V4269600	D1ODE. BRG	D2SBA20 1.5A 200V
D16	VG440400	D1ODE. ZENR	MTZJ13A 13V
D19	VU993400	D1ODE. ZENR	MA8062-M 6.2V
D20	VS997800	D1ODE	1T2
D21	VS858600	D1ODE. ZENR	HZS24-1 24V
D22-23	VU996600	D1ODE. ZENR	MA8130-M 13.0V
D24	VU991700	D1ODE. ZENR	MA8043-L 4.1V
D28	V2376600	D1ODE. SHOT	RB500V-40
D30	VT332900	D1ODE	1SS355
D31	VT332900	D1ODE	1SS355
D40-42	VD631600	D1ODE	1SS133, 176
D43-45	WA180300	D1ODE	1SS244
D46	VG437200	D1ODE. ZENR	MTZJ4.7C 4.7V
D47-49	WA180300	D1ODE	1SS244
D50-54	WA180300	D1ODE	1SS244
D56	VG437400	D1ODE. ZENR	MTZJ5.1B 5.1V
D323	VT332900	D1ODE	1SS355
⚠ F1	KB001390	FUSE	10A 250V
⚠ F2	VS823400	FUSE	10A 125V
⚠ IC1-2	V8100500	PHOT. CPL	TLP421 GR
⚠ IC3	iG001180	IC	TC4013BP FF
⚠ IC4	XU814A00	IC	PQ05RD11 +5V 1.0A
⚠ IC5-6	X2530A00	IC	PQ05RD21 +5V 2.0A
⚠ IC7	XU814A00	IC	PQ05RD11 +5V 1.0A
* ⚠ IC317-318	X7218A00	IC	PQ30RV21
⚠ IC319	X2530A00	IC	PQ05RD21 +5V 2.0A
IC320	XE436A00	IC	NJM79M05FA
PN1	V9637500	PIN	L=70 #18
PN40	V9637500	PIN	L=70 #18
PN42-47	V9637500	PIN	L=70 #18

* New Parts

P.C.B. POWER

Ref. No.	Part No.	Description	Markets
PN303	V9637500	PIN	L=70 #18
Q1	VV912300	TR. DGT	DTC144ESA-TP
Q2	iC181510	TR	2SC1815 Y
Q3	iC181510	TR	2SC1815 Y
Q4	iC181510	TR	2SC1815 Y
Q5	iC181510	TR	2SC1815 Y
* ⚠ Q6	WC741200	FET	2SK3850
Q7	iE102620	FET	2SK246 Y
* ⚠ Q8	WF691400	TR	2SD2014
* Q9	VR043100	FET	2SK208 Y
* Q10-12	VR043100	FET	2SK208 Y
* ⚠ Q13-14	WF691400	TR	2SD2014
* ⚠ Q15	WF691300	TR	2SB1257
* ⚠ Q16	WF691400	TR	2SD2014
Q17	VV556500	TR	2SA1037K Q, R, S
Q18	VV556500	TR	2SA1037K Q, R, S
Q20	iC181510	TR	2SC1815 Y
⚠ Q21	VC141900	TR	2SB941 P, Q
Q40-49	iC224030	TR	2SC2240 GR, BL
Q50-54	V3966800	TR	2SA949 O, Y
Q55	iA097030	TR	2SA970 GR, BL
Q56-58	iC224030	TR	2SC2240 GR, BL
Q59	iA097030	TR	2SA970 GR, BL
Q60-61	iC224030	TR	2SC2240 GR, BL
⚠ Q62	VC938500	TR	2SC3852
⚠ Q63	VC614000	TR	2SB1274 Q, R, S
Q64-65	V3966800	TR	2SA949 O, Y
Q66	iA097030	TR	2SA970 GR, BL
Q67-68	iC224030	TR	2SC2240 GR, BL
Q319	VV655000	TR. DGT	DTA114EKA
Q320	VV556400	TR	2SC2412K Q, R, S
⚠ Q321	VP872700	TR	2SC4488 S, T
Q323	VV655300	TR. DGT	DTA144EKA
R9	V6730000	R. CAR.	2.2MΩ 1/2W
R13	VU224000	R. MTL. FLM	0.22Ω 1W
⚠ R20	HV754100	R. CAR. FP	10Ω 1/4W
R23	HV756330	R. CAR. FP	3.3KΩ 1/4W
R24	HV756470	R. CAR. FP	4.7KΩ 1/4W
R25	HV755100	R. CAR. FP	100Ω 1/4W
R26	VP939800	R. MTL. OXD	10Ω 1W
R31	HV753470	R. CAR. FP	4.7Ω 1/4W
R32	HV755100	R. CAR. FP	100Ω 1/4W
⚠ R39	HV753470	R. CAR. FP	4.7Ω 1/4W
R40	HF353220	R. CAR	2.2Ω 1/2W
R41-42	HF358100	R. CAR	100KΩ 1/2W
R45	HF358100	R. CAR	100KΩ 1/2W
R51-52	HF355220	R. CAR	220Ω 1/2W
R55	HF355220	R. CAR	220Ω 1/2W

* New Parts

P.C.B. POWER & P.C.B. INPUT

Ref. No.	Part No.	Description	Markets
R61	HF357330	R. CAR	33KΩ 1/2W
R62-63	HF356220	R. CAR	2.2KΩ 1/2W
R67	HF356220	R. CAR	2.2KΩ 1/2W
R68	HF357330	R. CAR	33KΩ 1/2W
R70	HF357330	R. CAR	33KΩ 1/2W
R76-77	HF356120	R. CAR	1.2KΩ 1/2W
R80	HF356120	R. CAR	1.2KΩ 1/2W
R81-82	HF357330	R. CAR	33KΩ 1/2W
R85	HF357330	R. CAR	33KΩ 1/2W
R86-87	HF355330	R. CAR	330Ω 1/2W
R90	HF355330	R. CAR	330Ω 1/2W
R91	V3733100	R. MTL. OXD	39Ω 1W
R92	HF355470	R. CAR	470Ω 1/2W
R93	V3733100	R. MTL. OXD	39Ω 1W
R94	HF355470	R. CAR	470Ω 1/2W
R95-96	HV754390	R. CAR. FP	39Ω 1/4W
R97	V3733100	R. MTL. OXD	39Ω 1W
R98	HF355470	R. CAR	470Ω 1/2W
R101-102	HF357470	R. CAR	47KΩ 1/2W
R105	HF357470	R. CAR	47KΩ 1/2W
R138	HF353220	R. CAR	2.2Ω 1/2W
R145-146	HV754390	R. CAR. FP	39Ω 1/4W
R153	HV756470	R. CAR. FP	4.7KΩ 1/4W
R154	HV756680	R. CAR. FP	6.8KΩ 1/4W
R155	HV756820	R. CAR. FP	8.2KΩ 1/4W
⚠ R160-162	HV753470	R. CAR. FP	4.7Ω 1/4W
R164	HV757100	R. CAR. FP	10KΩ 1/4W
⚠ R166	HV754100	R. CAR. FP	10Ω 1/4W
⚠ R168	HV754100	R. CAR. FP	10Ω 1/4W
⚠ R170-173	HV755100	R. CAR. FP	100Ω 1/4W
⚠ R499	VP939500	R. MTL. FLM	1Ω 1W
⚠ R500-501	VP939500	R. MTL. FLM	1Ω 1W
⚠ RY1	V9366900	RELAY	DLS9D1-0(M)0.25W
ST301	WA246200	SCR. TERM	3.5
* ⚠ T1	X7033A00	TRANS. PWR	
⚠ TE1	VU543100	OUTLET. AC	2P
⚠ TE2	WB782600	AC INLET	R-30190(26)
* ⚠ TH1	VV458400	POLY SW	RUEF600 6.00A 30V
	VT669300	SCR. BW. HD	3x8-8 MFC2
	WG082700	P. C. B.	INPUT
* CB301	VU443800	CN	JE 15P SE
CB302	V7828200	SOCKET	15P TE TUC SERIES
CB303-304	V8875300	CN	JE 13P SE
CB305	V7826500	CN	15P TE TUC SERIES
* CB306	V8809800	CN	JE 9P SE
CB307	VB858400	CN. BS. PIN	5P

* New Parts

HTR-5990

P.C.B. INPUT

Ref. No.	Part No.	Description	Markets
CB308	V7826500	CN	15P TE TUC SERIES
CB309	V7828200	SOCKET	15P TE TUC SERIES
CB315-316	V7827000	CN	20P TE TUC SERIES
CB317	V7825600	CN	6P TE TUC SERIES
CB332	VB390800	CN. BS. PIN	12P
CB600	VP798200	CN. BS. PIN	24P
CB601	VC166500	CN. BS. PIN	12P
CB909	VF982300	CN. BS. PIN	17P
CB910	VQ047200	CN. BS. PIN	9P
C301-302	US135100	C. CE. CHP	0.1uF 16V
C303-306	US062220	C. CE. CHP	220pF 50V B
C307-308	US062100	C. CE. CHP	100pF 50V B
C309-310	US062220	C. CE. CHP	220pF 50V B
C311-312	US062100	C. CE. CHP	100pF 50V B
C313-314	UA652220	C. MYLAR	220pF 50V J
C315-316	US062220	C. CE. CHP	220pF 50V B
C317-320	UA652220	C. MYLAR	220pF 50V J
C321	UA652470	C. MYLAR	470pF 50V J
C322	UA652220	C. MYLAR	220pF 50V J
C323-328	UR266220	C. EL	2.2uF 50V
C329-330	UR218220	C. EL	220uF 6.3V
C331-332	UA654390	C. MYLAR	0.039uF 50V J
C333-334	UA654110	C. MYLAR	0.011uF 50V J
C335-342	UR237100	C. EL	10uF 16V
C343-344	UR237470	C. EL	47uF 16V
C345-348	UA653100	C. MYLAR	1000pF 50V J
C349-350	UR267470	C. EL	47uF 50V
C351-354	UR237100	C. EL	10uF 16V
C355-356	UR267470	C. EL	47uF 50V
C357-358	UR266470	C. EL	4.7uF 50V
C359-360	UT952100	C. PP	100pF 100V
C361-362	UR267470	C. EL	47uF 50V
C363	US135100	C. CE. CHP	0.1uF 16V
C364-365	UR266470	C. EL	4.7uF 50V
C366	US135100	C. CE. CHP	0.1uF 16V
C367-368	UR237100	C. EL	10uF 16V
C373-376	US062470	C. CE. CHP	470pF 50V B
C377-380	US062220	C. CE. CHP	220pF 50V B
C381-382	US062100	C. CE. CHP	100pF 50V B
C383-384	US062220	C. CE. CHP	220pF 50V B
C385-386	US062100	C. CE. CHP	100pF 50V B
C387-388	UA652220	C. MYLAR	220pF 50V J
C389-390	US062220	C. CE. CHP	220pF 50V B
C391-394	UR266470	C. EL	4.7uF 50V
C395	UR237100	C. EL	10uF 16V
C396	US135100	C. CE. CHP	0.1uF 16V
C397	UR237100	C. EL	10uF 16V
C398-399	UR237470	C. EL	47uF 16V

* New Parts

P.C.B. INPUT

Ref. No.	Part No.	Description	Markets
C400-401	UR237220	C. EL	22uF 16V
C403	UR237470	C. EL	47uF 16V
C404	US135100	C. CE. CHP	0.1uF 16V
C405-406	US034680	C. CE. CHP	0.068uF 16V K
C407-414	VR168300	C. MYLAR	0.1uF 50V
C415-418	UA653270	C. MYLAR	2700pF 50V J
C419	US135100	C. CE. CHP	0.1uF 16V
C420-421	UR267470	C. EL	47uF 50V
C422-425	UR266470	C. EL	4.7uF 50V
C426-429	US135100	C. CE. CHP	0.1uF 16V
C430	UR237470	C. EL	47uF 16V
C431	US135100	C. CE. CHP	0.1uF 16V
C432-434	UR237100	C. EL	10uF 16V
C435	UR237470	C. EL	47uF 16V
C436	UR237100	C. EL	10uF 16V
C437	US135100	C. CE. CHP	0.1uF 16V
C438-439	UR237100	C. EL	10uF 16V
C442	US063100	C. CE. CHP	1000pF 50V B
C443-444	US135100	C. CE. CHP	0.1uF 16V
C447	US063100	C. CE. CHP	1000pF 50V B
C448-451	UA652470	C. MYLAR	470pF 50V J
C452	VE326800	C. MYLAR	0.47uF 50V
C453-455	UA652470	C. MYLAR	470pF 50V J
C456	US063100	C. CE. CHP	1000pF 50V B
C461	UR218100	C. EL	100uF 6.3V
C600-602	US064100	C. CE. CHP	0.01uF 50V B
C603	US135100	C. CE. CHP	0.1uF 16V
C604	UR218100	C. EL	100uF 6.3V
C605	US064100	C. CE. CHP	0.01uF 50V B
C606	UR218330	C. EL	330uF 6.3V
C607	US135100	C. CE. CHP	0.1uF 16V
C608-609	US062100	C. CE. CHP	100pF 50V B
C610	US135100	C. CE. CHP	0.1uF 16V
C611	UR218330	C. EL	330uF 6.3V
C612	US135100	C. CE. CHP	0.1uF 16V
C614	US062100	C. CE. CHP	100pF 50V B
C619	US064100	C. CE. CHP	0.01uF 50V B
C622	US064100	C. CE. CHP	0.01uF 50V B
C623-624	US135100	C. CE. CHP	0.1uF 16V
C625-631	US061220	C. CE. CHP	22pF 50V B
C632	US135100	C. CE. CHP	0.1uF 16V
C633-634	US063100	C. CE. CHP	1000pF 50V B
C635	UR267470	C. EL	47uF 50V
D301-302	VT332900	D10DE	1SS355
D305	VT332900	D10DE	1SS355
D307-308	VT332900	D10DE	1SS355
D309	V2598200	LED	SIR-505ST
D311-312	VT332900	D10DE	1SS355

* New Parts

P.C.B. INPUT & A-VIDEO

Ref. No.	Part No.	Description	Markets
D313-314	VU992100	DIODE. ZENR	MA8047-L 4.6V
* D600-601	VU171600	DIODE. ZENR	UDZS3.9BTE-17 3.9V
IC301	X5045A00	IC	NJU7312AM
IC302	X5043A00	IC	NJU7313AM
IC303	X3547A00	IC	BD3841FS
IC304-308	X3505A00	IC	NJM2068MD-TE2
IC309	X3547A00	IC	BD3841FS
* IC310-311	X5574A00	IC	YAC526-EZE2
* IC312-313	X6878A00	IC	LC75348M
IC600-601	X6386A00	IC	M66003-0131FP
* JK301	WD195900	JACK. MNI	2P
* JK302-303	V9435700	JACK. MNI	MSJ-035-12APC
PJ301-302	VV306900	JACK. PIN	4P
PJ303	V5478700	JACK. PIN	4P RJ-1073F-09
* PJ304	V5478900	JACK. PIN	RJ-1074-84-0353A
PJ305-307	VV325400	JACK. PIN	6P
PJ308	VV306900	JACK. PIN	4P
PJ309	V5479100	JACK. PIN	4P RJ-1073-39-0351
PN301	V9637500	PIN	L=70 #18
PN600-601	V9637500	PIN	L=70 #18
Q301-308	VZ725900	TR	2SD1938F S, T
Q309	VP872600	TR	2SA1708 S, T
Q310	VV655700	TR. DGT	DTC144EKA
Q311	VP872600	TR	2SA1708 S, T
Q312	VV655700	TR. DGT	DTC144EKA
Q600-608	VV556400	TR	2SC2412K Q, R, S
R365-366	HV755100	R. CAR. FP	100Ω 1/4W
R375-376	VP939700	R. MTL. FLM	4.7Ω 1W
R387-390	HF355470	R. CAR	470Ω 1/2W
R444	VP939700	R. MTL. FLM	4.7Ω 1W
R450	VP939700	R. MTL. FLM	4.7Ω 1W
R467-474	HF354470	R. CAR	47Ω 1/2W
R477-478	HF354270	R. CAR	27Ω 1/2W J
R600-601	HL005100	R. MTL. OXD	100Ω 1/2W
ST301-302	V4040500	SCR. TERM	M3
SW600	V4757100	SW. TACT	EVQ11A
SW601	V9281300	SW. RT. ENC	EVEKD2F3024B
U301	V8210200	L. DTCT	GP1UD271XK
U600	V8210200	L. DTCT	GP1UD271XK
* V600	WF875800	FL. DSPLY	HNA-16ML10T
	V6007000	SHEET	
	V3747400	SPACER. FL	6x18 t=4
* V600	WF649700	SUPRT	
	WG081000	P. C. B.	A-VIDEO
CB601	V7827800	SOCKET	11P SE TUC SERIES

* New Parts

P.C.B. A-VIDEO

Ref. No.	Part No.	Description	Markets
CB602	VQ047800	CN. BS. PIN	27P
CB603	V7828700	SOCKET	20P SE TUC SERIES
CB701	V7828100	SOCKET	14P TE TUC SERIES
CB703	VQ045600	CN. BS. PIN	27P SE
CB704	V7827300	SOCKET	6P TE TUC SERIES
C611-613	US060800	C. CE. CHP	8pF 50V B
C641	US135100	C. CE. CHP	0.1uF 16V
C642	UR237470	C. EL	47uF 16V
C643	US135100	C. CE. CHP	0.1uF 16V
C644	UR237470	C. EL	47uF 16V
C645	US135100	C. CE. CHP	0.1uF 16V
C646	UR237470	C. EL	47uF 16V
C647	US135100	C. CE. CHP	0.1uF 16V
C648	UR237470	C. EL	47uF 16V
C649	US135100	C. CE. CHP	0.1uF 16V
C650	UR237470	C. EL	47uF 16V
C651	US135100	C. CE. CHP	0.1uF 16V
C652	UR237470	C. EL	47uF 16V
C653	US135100	C. CE. CHP	0.1uF 16V
C654	UR237470	C. EL	47uF 16V
C655	US135100	C. CE. CHP	0.1uF 16V
C656	UR237470	C. EL	47uF 16V
C657	US135100	C. CE. CHP	0.1uF 16V
C658	UR237470	C. EL	47uF 16V
C659	US135100	C. CE. CHP	0.1uF 16V
C660	UR237470	C. EL	47uF 16V
C661	US135100	C. CE. CHP	0.1uF 16V
C662-663	UR237470	C. EL	47uF 16V
C664-665	US135100	C. CE. CHP	0.1uF 16V
C666-667	UR237470	C. EL	47uF 16V
C668-669	US135100	C. CE. CHP	0.1uF 16V
C670	UR237470	C. EL	47uF 16V
C672-673	US135100	C. CE. CHP	0.1uF 16V
C674	UR237470	C. EL	47uF 16V
C676	US135100	C. CE. CHP	0.1uF 16V
C677	UR218330	C. EL	330uF 6.3V
C678	US135100	C. CE. CHP	0.1uF 16V
C679	UR238330	C. EL	330uF 16V
C680	US135100	C. CE. CHP	0.1uF 16V
C681	UR218330	C. EL	330uF 6.3V
C682	US135100	C. CE. CHP	0.1uF 16V
C683	UR266100	C. EL	1uF 50V
C686	US135100	C. CE. CHP	0.1uF 16V
C687-691	UR266100	C. EL	1uF 50V
C692	US135100	C. CE. CHP	0.1uF 16V
C693	UR238470	C. EL	470uF 16V
C694	US135100	C. CE. CHP	0.1uF 16V
C695	US064100	C. CE. CHP	0.01uF 50V B

* New Parts

P.C.B. A-VIDEO

Ref. No.	Part No.	Description	Markets
C696	UR266220	C. EL 2.2uF 50V	
C697	US135100	C. CE. CHP 0.1uF 16V	
C698	UR238100	C. EL 100uF 16V	
C699	US135100	C. CE. CHP 0.1uF 16V	
C701-702	US135100	C. CE. CHP 0.1uF 16V	
C703	US135100	C. CE. CHP 0.1uF 16V	*
C704-705	US135100	C. CE. CHP 0.1uF 16V	
C706-708	US061470	C. CE. CHP 47pF 50V B	
C709	US135100	C. CE. CHP 0.1uF 16V	*
C710-712	US061470	C. CE. CHP 47pF 50V B	
C713	US135100	C. CE. CHP 0.1uF 16V	
C714-716	US062100	C. CE. CHP 100pF 50V B	
C718	US135100	C. CE. CHP 0.1uF 16V	
C742-743	UR237470	C. EL 47uF 16V	
C745-746	UR237470	C. EL 47uF 16V	*
C748-749	UR237470	C. EL 47uF 16V	
C752-754	US135100	C. CE. CHP 0.1uF 16V	
C755	UR218220	C. EL 220uF 6.3V	
C757	UR218220	C. EL 220uF 6.3V	*
C759-760	UR218100	C. EL 100uF 6.3V	
C761-762	US135100	C. CE. CHP 0.1uF 16V	
C763	UR218220	C. EL 220uF 6.3V	*
C764-765	US135100	C. CE. CHP 0.1uF 16V	*
C766	UR218220	C. EL 220uF 6.3V	*
C771-772	UR266470	C. EL 4.7uF 50V	
C774-775	US135100	C. CE. CHP 0.1uF 16V	*
C776	UR237100	C. EL 10uF 16V	
C777	UR266470	C. EL 4.7uF 50V	*
C778	UR218100	C. EL 100uF 6.3V	
C779	UR218330	C. EL 330uF 6.3V	*
C780	UR218100	C. EL 100uF 6.3V	
C781-782	US060300	C. CE. CHP 3pF 50V B	
C783-784	US061240	C. CE. CHP 24pF 50V B	*
C785	US060300	C. CE. CHP 3pF 50V B	
C786	US135100	C. CE. CHP 0.1uF 16V	
C787	UR218100	C. EL 100uF 6.3V	
C788-789	UR266100	C. EL 1uF 50V	
C791	US063120	C. CE. CHP 1200pF 50V B	
C792	US062470	C. CE. CHP 470pF 50V B	
C799	US135100	C. CE. CHP 0.1uF 16V	
C811	US064100	C. CE. CHP 0.01uF 50V B	
C812	UR218470	C. EL 470uF 6.3V	
C813	US062120	C. CE. CHP 120pF 50V B	
C814	US062220	C. CE. CHP 220pF 50V B	
C815	UR237100	C. EL 10uF 16V	
C816	UR237470	C. EL 47uF 16V	
C821-822	US135100	C. CE. CHP 0.1uF 16V	
C824	US062220	C. CE. CHP 220pF 50V B	

* New Parts

P.C.B. A-VIDEO

Ref. No.	Part No.	Description	Markets
C826	US062220	C. CE. CHP 220pF 50V B	
D611-612	VT332900	D10DE 1SS355	
D701-706	VT332900	D10DE 1SS355	
D771-774	VT332900	D10DE 1SS355	
D811-812	VT332900	D10DE 1SS355	
IC601	X6757A00	IC NJW1321FP1	
IC602	X2904A00	IC NJM2581M VIDEO AMP	
IC605	X2484A00	IC TA1318AF	
IC606	X6758A00	IC LA73054-TLM-E	
IC607	XY877A00	IC MM74HC4053SJX	
IC701	XY550A00	IC MM74HC4051SJX	
IC703	XY550A00	IC MM74HC4051SJX	
IC705	X4321A00	IC CD4051BNSR	
IC708	XY877A00	IC MM74HC4053SJX	
IC709	X6742A00	IC LA73050-TLM-E	
IC710	XZ177A00	IC LA7104M VIDEO AMP	
IC712	XW939A00	IC TK15420M VIDEO AMP	
IC713	XD598A00	IC TC74HC04AFEL INV	
IC714	X6849A00	IC BD7851FP-E2	
IC715	X5597A00	IC LC74781JM-9798	
IC716	XY877A00	IC MM74HC4053SJX	
JK701-702	WD396300	JACK. PIN LAP5100-1601FC	
JK703	WD396100	JACK. PIN LAP5100-1801FC	
PJ601-602	WD442700	JACK. PIN LPR6520-M610FC	
PN701-702	V9637500	PIN L=70 #18	
Q601-602	WG261200	FET 2SK2158-T2B-A	
Q701	VV556400	TR 2SC2412K Q, R, S	
Q702	WF550000	TR 2SC3837K T146 N, P	
Q703	VV556500	TR 2SA1037K Q, R, S	
Q704	WF549900	TR 2SC3906K T146 R, S	
Q705	VZ725900	TR 2SD1938F S, T	
Q706	VV556400	TR 2SC2412K Q, R, S	
Q711-713	WG261200	FET 2SK2158-T2B-A	
Q717	VV556400	TR 2SC2412K Q, R, S	
R665	HV753100	R. CAR. FP 1Ω 1/4W	
R676-677	HV753100	R. CAR. FP 1Ω 1/4W	
R680	HV753100	R. CAR. FP 1Ω 1/4W	
R688-690	HV753100	R. CAR. FP 1Ω 1/4W	
R738-739	HV753100	R. CAR. FP 1Ω 1/4W	
R760-763	HV753100	R. CAR. FP 1Ω 1/4W	
R780	HV755470	R. CAR. FP 470Ω 1/4W	
R783	HV753220	R. CAR. FP 2.2Ω 1/4W	
R787	HV755470	R. CAR. FP 470Ω 1/4W	
R790-791	HV755470	R. CAR. FP 470Ω 1/4W	
R794-795	HV753100	R. CAR. FP 1Ω 1/4W	
R800	HV755470	R. CAR. FP 470Ω 1/4W	
R812	HV753220	R. CAR. FP 2.2Ω 1/4W	
R821	HV753100	R. CAR. FP 1Ω 1/4W	

* New Parts

HTR-5990

P.C.B. A-VIDEO & P.C.B. D-VIDEO

Ref. No.	Part No.	Description	Markets
XL601	V5345200	RSNR. CE	CSBLA503KECF30-B0
XL715	WC061400	RSNR. CRYST	14.31818MHz SMD-49
	WG081900	P. C. B.	D-VIDEO
CB302	V9356900	CN	JE 19P SE
CB501	V7828700	SOCKET	20P SE TUC SERIES
CB502	V8875300	CN	JE 13P SE
CB504	V0044400	CN. BS. PIN	9P
CB506	LB919020	CN. BS. PIN	2P
CB507	V6509500	SOCKET	9P SE 3170
CB508	LB919040	CN. BS. PIN	4P
CB510	V9356900	CN	JE 19P SE
CN301-303	WC688700	CN	19P HDMI
C301-302	US135100	C. CE. CHP	0.1uF 16V
C303	V5333500	C. CE. CHP	10uF 6.3V
C304-305	US063100	C. CE. CHP	1000pF 50V B
C306-309	US135100	C. CE. CHP	0.1uF 16V
C310-311	US063100	C. CE. CHP	1000pF 50V B
C312	US135100	C. CE. CHP	0.1uF 16V
C313	US063100	C. CE. CHP	1000pF 50V B
C314-316	US135100	C. CE. CHP	0.1uF 16V
C317	US063100	C. CE. CHP	1000pF 50V B
C318-319	US135100	C. CE. CHP	0.1uF 16V
C320	US063100	C. CE. CHP	1000pF 50V B
C321-322	US064100	C. CE. CHP	0.01uF 50V B
C323-325	V5333500	C. CE. CHP	10uF 6.3V
C326	US135100	C. CE. CHP	0.1uF 16V
C327-329	V5333500	C. CE. CHP	10uF 6.3V
C330-344	US135100	C. CE. CHP	0.1uF 16V
C345	US061150	C. CE. CHP	15pF 50V B
C346	US064100	C. CE. CHP	0.01uF 50V B
C350	US135100	C. CE. CHP	0.1uF 16V
C351	US064100	C. CE. CHP	0.01uF 50V B
C352	US061150	C. CE. CHP	15pF 50V B
C353-363	US135100	C. CE. CHP	0.1uF 16V
C364	UF018100	C. EL. CHP	100uF 6.3V
C365-366	US135100	C. CE. CHP	0.1uF 16V
C367	UF018100	C. EL. CHP	100uF 6.3V
C368	US135100	C. CE. CHP	0.1uF 16V
C381-383	US135100	C. CE. CHP	0.1uF 16V
C384-387	US063100	C. CE. CHP	1000pF 50V B
C388-389	US135100	C. CE. CHP	0.1uF 16V
C390-392	US063100	C. CE. CHP	1000pF 50V B
C509	US135100	C. CE. CHP	0.1uF 16V
C510	US064100	C. CE. CHP	0.01uF 50V B
C511	UF037100	C. EL. CHP	10uF 16V

* New Parts

P.C.B. D-VIDEO

Ref. No.	Part No.	Description	Markets
C512-513	US135100	C. CE. CHP	0.1uF 16V
C514-515	UF037100	C. EL. CHP	10uF 16V
C517-520	US135100	C. CE. CHP	0.1uF 16V
C521-522	US064100	C. CE. CHP	0.01uF 50V B
C524	UF037100	C. EL. CHP	10uF 16V
C525-531	US135100	C. CE. CHP	0.1uF 16V
C532	US064100	C. CE. CHP	0.01uF 50V B
C533	US063100	C. CE. CHP	1000pF 50V B
C534	US064100	C. CE. CHP	0.01uF 50V B
C536	US034820	C. CE. CHP	0.082uF 16V K
C538	US064100	C. CE. CHP	0.01uF 50V B
C539	US135100	C. CE. CHP	0.1uF 16V
C540	US060700	C. CE. CHP	7pF 50V B
C541	US064100	C. CE. CHP	0.01uF 50V B
C542-543	US135100	C. CE. CHP	0.1uF 16V
C544	US060700	C. CE. CHP	7pF 50V B
C545	UF018100	C. EL. CHP	100uF 6.3V
C546	US135100	C. CE. CHP	0.1uF 16V
C548	US135100	C. CE. CHP	0.1uF 16V
C549-555	UF018100	C. EL. CHP	100uF 6.3V
C558	US064100	C. CE. CHP	0.01uF 50V B
C559	US135100	C. CE. CHP	0.1uF 16V
C560-561	US064100	C. CE. CHP	0.01uF 50V B
C562-563	US135100	C. CE. CHP	0.1uF 16V
C564	UF037470	C. EL. CHP	47uF 16V
C567	US062820	C. CE. CHP	820pF 50V B
C568-569	US135100	C. CE. CHP	0.1uF 16V
C570	US063390	C. CE. CHP	3900pF 50V B
C571-572	US135100	C. CE. CHP	0.1uF 16V
C583-584	UF037100	C. EL. CHP	10uF 16V
C587	US135100	C. CE. CHP	0.1uF 16V
C598	UF037100	C. EL. CHP	10uF 16V
C600	UF037100	C. EL. CHP	10uF 16V
C601-602	US135100	C. CE. CHP	0.1uF 16V
C603	UF037470	C. EL. CHP	47uF 16V
C609	UF037470	C. EL. CHP	47uF 16V
C610	US135100	C. CE. CHP	0.1uF 16V
C612-620	US135100	C. CE. CHP	0.1uF 16V
C621	UF037470	C. EL. CHP	47uF 16V
C622-629	US135100	C. CE. CHP	0.1uF 16V
C630	UF037470	C. EL. CHP	47uF 16V
C631	US135100	C. CE. CHP	0.1uF 16V
C633-636	US135100	C. CE. CHP	0.1uF 16V
C638-639	US135100	C. CE. CHP	0.1uF 16V
C640	UF037470	C. EL. CHP	47uF 16V
C641-643	US135100	C. CE. CHP	0.1uF 16V
C644	US063100	C. CE. CHP	1000pF 50V B
C645	US135100	C. CE. CHP	0.1uF 16V

* New Parts

P.C.B. D-VIDEO

Ref. No.	Part No.	Description	Markets
C647	US135100	C. CE. CHP	0.1uF 16V
C651-652	UR238470	C. EL	470uF 16V
C654-657	US135100	C. CE. CHP	0.1uF 16V
C660	UF018100	C. EL. CHP	100uF 6.3V
C663-664	US135100	C. CE. CHP	0.1uF 16V
C666-667	UR237470	C. EL	47uF 16V
C669-670	UR238470	C. EL	470uF 16V
C673	US135100	C. CE. CHP	0.1uF 16V
C675-676	US135100	C. CE. CHP	0.1uF 16V
C679-680	US135100	C. CE. CHP	0.1uF 16V
C684	UF037470	C. EL. CHP	47uF 16V
C685-686	UR237470	C. EL	47uF 16V
C689	US064100	C. CE. CHP	0.01uF 50V B
C690	UF037470	C. EL. CHP	47uF 16V
C691-693	US135100	C. CE. CHP	0.1uF 16V
C697-699	US135100	C. CE. CHP	0.1uF 16V
C700-701	US135100	C. CE. CHP	0.1uF 16V
C704-705	US135100	C. CE. CHP	0.1uF 16V
C706-708	US064100	C. CE. CHP	0.01uF 50V B
C710	US064100	C. CE. CHP	0.01uF 50V B
C714	US135100	C. CE. CHP	0.1uF 16V
C726	US135100	C. CE. CHP	0.1uF 16V
C740	US135100	C. CE. CHP	0.1uF 16V
C741	US063100	C. CE. CHP	1000pF 50V B
C742	US135100	C. CE. CHP	0.1uF 16V
C743	US063100	C. CE. CHP	1000pF 50V B
C744	US135100	C. CE. CHP	0.1uF 16V
C745	US063100	C. CE. CHP	1000pF 50V B
C746	US135100	C. CE. CHP	0.1uF 16V
C747	US063100	C. CE. CHP	1000pF 50V B
C748-749	US135100	C. CE. CHP	0.1uF 16V
C750	US063100	C. CE. CHP	1000pF 50V B
C751-752	US135100	C. CE. CHP	0.1uF 16V
C753	US063100	C. CE. CHP	1000pF 50V B
C754	US135100	C. CE. CHP	0.1uF 16V
C755	US063100	C. CE. CHP	1000pF 50V B
C756-757	US135100	C. CE. CHP	0.1uF 16V
C758	US063100	C. CE. CHP	1000pF 50V B
C759-762	US135100	C. CE. CHP	0.1uF 16V
C763	US063100	C. CE. CHP	1000pF 50V B
C764-767	US135100	C. CE. CHP	0.1uF 16V
C771	US063100	C. CE. CHP	1000pF 50V B
C772	US126100	C. CE. CHP	1uF 10V
C773	US063100	C. CE. CHP	1000pF 50V B
C774	US126100	C. CE. CHP	1uF 10V
C775-780	US063100	C. CE. CHP	1000pF 50V B
C781	US126100	C. CE. CHP	1uF 10V
C782	US063100	C. CE. CHP	1000pF 50V B

* New Parts

P.C.B. D-VIDEO

Ref. No.	Part No.	Description	Markets
C783	US126100	C. CE. CHP	1uF 10V
C784-786	US064100	C. CE. CHP	0.01uF 50V B
C787	US135100	C. CE. CHP	0.1uF 16V
C789	US135100	C. CE. CHP	0.1uF 16V
D312	VT332900	D1ODE	1SS355
D315	VT332900	D1ODE	1SS355
D318	VT332900	D1ODE	1SS355
D321-325	VT332900	D1ODE	1SS355
D601-603	VT332900	D1ODE	1SS355
D605-608	VT332900	D1ODE	1SS355
D610-617	VT332900	D1ODE	1SS355
IC301-302	X4503A00	IC	SN74CBT3306PWR
IC303-304	X3530A00	IC	24LC04BT-1/SN
IC305	X4061A00	IC	SN74AHC2GU04HDCR
IC306	X5817A00	IC	LE50ABD 5.0V 0.1A
IC307	X3801A00	IC	SN74LVC1G125DCKR
IC308	X5816A00	IC. CPU	S119030CTU HDMI TX
IC309	X5815A00	IC. CPU	S119031CTU HDMI RX
IC310	X5818A00	IC. CPU	PCA9540BDP 12C MUX
IC311	XZ287A00	IC	SN74LVC245APWR
IC312	X5827A00	IC	UPC37M31TJ-E1-AZ
IC314	X4465A00	IC	SN74AHCT1G125DCKR
IC501	X2965A00	IC. CPU	M30805SGP
IC503	X6802A00	IC	ADV7401BSTZ-80
IC504	X6801A00	IC	ADV7322KSTZ
IC505	X6853A00	IC	MATISSE 1A G
IC507	X7220A00	IC	S29JL032H70TF1020
IC509	X2590B00	IC	W9816G6CH-7 SDRAM
IC510-512	X5741A00	IC	SN74LVC541APWR
IC520	X2709A00	IC	SN74AHCT245PWR
IC521	X4463A00	IC	SN74LV08APWR
IC522	X3824A00	IC	SN74AHCT08PWR
IC524	X6848A00	IC	LA73053-TLM-E
IC525	X7171A00	IC	SN74LVC2G125DCUR
IC526	X4465A00	IC	SN74AHCT1G125DCKR
IC527	XZ000A00	IC	PST9242NR
IC528	X4454A00	IC	SN74LVC2G17DCKR
IC529	X6876A00	IC	ADM222ARZ
IC601	X5826A00	IC	UPC2905AT-E1-AZ
IC602	X6869A00	IC	NJM2885DL1-33
IC603	X6870A00	IC	NJM2845DL1-33
IC605	X6867A00	IC	NJM2391DL1-25
IC606	X6868A00	IC	NJM2885DL1-18
IC607-609	X5741A00	IC	SN74LVC541APWR
PS301	V2997600	IC	SMDC050-02
Q301-302	V0986700	TR	2SC4081 T106
Q309	WE834500	FET	UPA672T-T1-A
Q310-311	WD760200	FET	2N7002-NL TP

* New Parts

P.C.B. D-VIDEO

Ref. No.	Part No.	Description	Markets
Q501-504	VQ986700	TR	2SC4081 T106
* Q505-508	WG261200	FET	2SK2158-T2B-A
R630-632	VP939700	R. MTL. FLM	4.7Ω 1W
R637	VP939700	R. MTL. FLM	4.7Ω 1W
R642	VP939600	R. MTL. FLM	2.2Ω 1W
R643	WB784100	R. MTL. FLM	1.2Ω 1W
RV309-332	WE674800	DIODE	AVRL161A1R1NTB
ST301	V4040500	SCR. TERM	M3
XL301	VZ268400	RSNR. CRYST	27MHz SMD-49
XL501	V9864200	RSNR. CE	10.0MHz
* XL502	VZ772700	RSNR. CRYST	28.63636MHz

* New Parts

Chip Resistors

- The chip resistor is not supplied as a replacement part.
- * When a chip resistor is necessary, use the following part.
AAX60720: CHIP RESISTOR SAMPLE BOOK

Ref. No.	Part No.	Description	Markets
	R. CHP	0Ω 1/16W J	
	R. CHP	2.2Ω 1/16W J	
	R. CHP	10Ω 1/16W J	
	R. CHP	47Ω 1/16W J	
	R. CHP	56Ω 1/16W J	
	R. CHP	75Ω 1/16W J	
	R. CHP	82Ω 1/16W J	
	R. CHP	100Ω 1/16W J	
	R. CHP	180Ω 1/16W J	
	R. CHP	220Ω 1/16W J	
	R. CHP	470Ω 1/16W J	
	R. CHP	820Ω 1/16W J	
	R. CHP	1KΩ 1/16W J	
	R. CHP	1.2KΩ 1/16W J	*
	R. CHP	1.3KΩ 1/16W J	
	R. CHP	1.5KΩ 1/16W J	
	R. CHP	1.8KΩ 1/16W J	
	R. CHP	2.2KΩ 1/16W J	
	R. CHP	2.4KΩ 1/16W J	
	R. CHP	2.7KΩ 1/16W J	
	R. CHP	3.3KΩ 1/16W J	
	R. CHP	4.7KΩ 1/16W J	
	R. CHP	5.6KΩ 1/16W J	
	R. CHP	8.2KΩ 1/16W J	
	R. CHP	10KΩ 1/16W J	
	R. CHP	18KΩ 1/16W J	
	R. CHP	22KΩ 1/16W J	
	R. CHP	27KΩ 1/16W J	
	R. CHP	47KΩ 1/16W J	
	R. CHP	56KΩ 1/16W J	
	R. CHP	62KΩ 1/16W J	
	R. CHP	100KΩ 1/16W J	
	R. CHP	220KΩ 1/16W J	
	R. CHP	470KΩ 1/16W J	
	R. CHP	1MΩ 1/16W J	
	R. MTL. CHP	10Ω 1/16W D	
	R. MTL. CHP	33Ω 1/16W D	
	R. MTL. CHP	47Ω 1/16W D	
	R. MTL. CHP	100Ω 1/16W D	
	R. MTL. CHP	120Ω 1/16W D	
	R. MTL. CHP	150Ω 1/16W D	
	R. MTL. CHP	180Ω 1/16W D	
	R. MTL. CHP	330Ω 1/16W D	
	R. MTL. CHP	470Ω 1/16W D	
	R. MTL. CHP	620Ω 1/16W D	

* New Parts

Chip Resistors

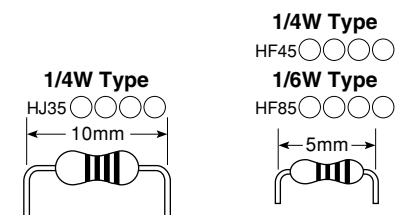
Ref. No.	Part No.	Description	Markets
	R. MTL. CHP	2KΩ 1/16W D	
	R. MTL. CHP	2.2KΩ 1/16W D	
	R. MTL. CHP	2.4KΩ 1/16W D	
	R. MTL. CHP	2.7KΩ 1/16W D	
	R. MTL. CHP	3KΩ 1/16W D	
	R. MTL. CHP	3.3KΩ 1/16W D	
	R. MTL. CHP	4.3KΩ 1/16W D	
	R. MTL. CHP	4.7KΩ 1/16W D	
	R. MTL. CHP	5.6KΩ 1/16W D	
	R. MTL. CHP	6.8KΩ 1/16W D	
	R. MTL. CHP	7.5KΩ 1/16W D	
	R. MTL. CHP	11KΩ 1/16W D	
	R. MTL. CHP	12KΩ 1/16W D	
	R. MTL. CHP	15KΩ 1/16W D	
	R. MTL. CHP	47KΩ 1/16W D	
	R. MTL. CHP	82KΩ 1/16W D	
	R. CAR. CHP	180KΩ 1/16W J	

* New Parts

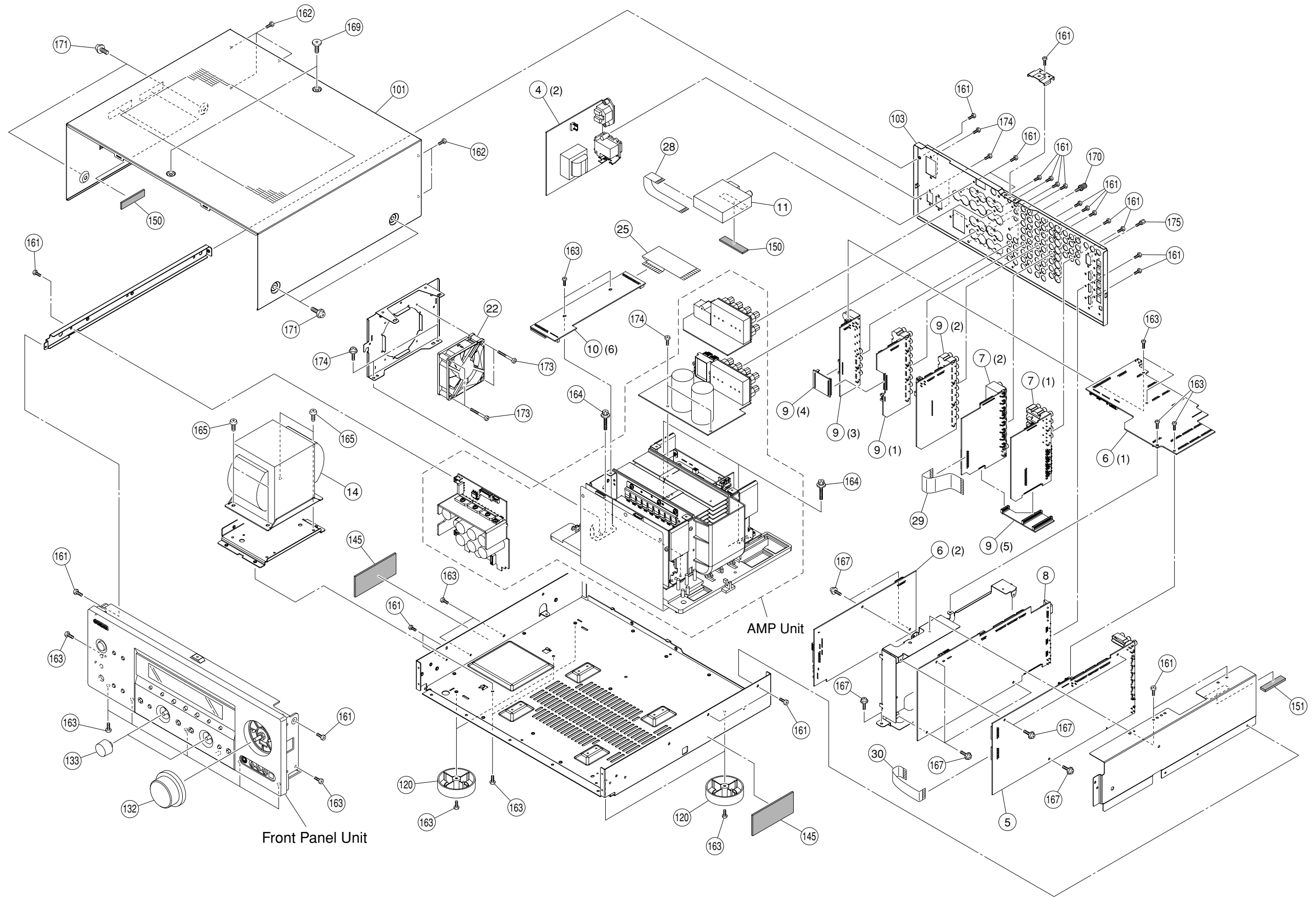
Parts List for Carbon Resistors

Value	1/4W Type Part No.	1/6W Type Part No.	Value	1/4W Type Part No.	1/6W Type Part No.
1.0 Ω	HJ35 3100	HF85 3100	10 kΩ	HF45 7100	HF45 7100
1.8 Ω	HJ35 3180	*	11 kΩ	HF45 7110	HF45 7110
2.2 Ω	HJ35 3220	HF85 3220	12 kΩ	HJ35 7120	HF85 7120
3.3 Ω	HJ35 3330	HF85 3330	13 kΩ	HF45 7130	HF45 7130
4.7 Ω	HJ35 3470	HF85 3470	15 kΩ	HF45 7150	HF45 7150
5.6 Ω	HJ35 3560	HF85 3560	18 kΩ	HF45 7180	HF45 7180
10 Ω	HF45 4100	HF45 4100	22 kΩ	HF45 7220	HF45 7220
15 Ω	HJ35 4150	HF85 4150	24 kΩ	HF45 7240	HF45 7240
22 Ω	HF45 4220	HF45 4220	27 kΩ	HJ35 7270	HF85 7270
27 Ω	HJ35 4270	HF85 4270	30 kΩ	HF45 7300	HF45 7300
33 Ω	HF45 4330	HF45 4330	33 kΩ	HF45 7330	HF45 7330
39 Ω	HJ35 4470	HF85 4390	36 kΩ	HF45 7360	HF45 7360
47 Ω	HF45 4470	HF45 4470	39 kΩ	HF45 7390	HF45 7390
56 Ω	HF45 4560	HF45 4560	47 kΩ	HF45 7470	HF45 7470
68 Ω	HF45 4680	HF45 4680	51 kΩ	HF45 7510	HF45 7510
75 Ω	HF45 4750	HF45 4750	56 kΩ	HF45 7560	HF45 7560
82 Ω	HF45 4820	HF45 4820	62 kΩ	HF45 7620	HF45 7620
91 Ω	HF45 4910	HF45 4910	68 kΩ	HF45 7680	HF45 7680
100 Ω	HF45 5100	HF45 5100	82 kΩ	HF45 7820	HF45 7820
110 Ω	HJ35 5110	HF85 5110	91 kΩ	HF45 7910	HF45 7910
120 Ω	HF45 5120	HF45 5120	100 kΩ	HF45 8100	HF45 8100
150 Ω	HF45 5150	HF45 5150	110 kΩ	HF45 8110	HF45 8110
160 Ω	HJ35 5160	*	120 kΩ	HF45 8120	HF45 8120
180 Ω	HF45 5180	HF45 5180	150 kΩ	HF45 8150	HF45 8150
200 Ω	HF45 5200	HF45 5200	180 kΩ	HF45 8180	HF45 8180
220 Ω	HF45 5220	HF45 5220	220 kΩ	HJ35 8220	HF85 8220
270 Ω	HF45 5270	HF45 5270	270 kΩ	HF45 8270	HF45 8270
330 Ω	HF45 5330	HF45 5330	300 kΩ	HF45 8300	HF45 8300
390 Ω	HF45 5390	HF45 5390	330 kΩ	HF45 8330	HF45 8330
430 Ω	HF45 5430	HF45 5430	390 kΩ	HJ35 8390	HF85 8390
470 Ω	HF45 5470	HF45 5470	470 kΩ	HF45 8470	HF45 8470
510 Ω	HF45 5510	HF45 5510	560 kΩ	HJ35 8560	HF85 8560
560 Ω	HF45 5560	HF45 5560	680 kΩ	HJ35 8680	HF85 8680
680 Ω	HF45 5680	HF45 5680	820 kΩ	HJ35 8820	HF85 8820
820 Ω	HF45 5820	HF45 5820	1.0 MΩ	HF45 9100	HF45 9100
910 Ω	HF45 5910	HF45 5910	1.2 MΩ	HJ35 9120	*
1.0 kΩ	HF45 6100	HF45 6100	1.5 MΩ	HJ35 9150	HF85 9150
1.2 kΩ	HF45 6120	HF45 6120	1.8 MΩ	HJ35 9180	HF85 9180
1.5 kΩ	HF45 6150	HF45 6150	2.2 MΩ	HJ35 9220	HF85 9220
1.8 kΩ	HF45 6180	HF45 6180	3.3 MΩ	HJ35 9330	HF85 9330
2.0 kΩ	HJ35 6200	HF85 6200	3.9 MΩ	HJ35 9390	*
2.2 kΩ	HF45 6220	HF45 6220	4.7 MΩ	HJ35 9470	HF85 9470
2.4 kΩ	HJ35 6240	HF85 6240			
2.7 kΩ	HF45 6270	HF45 6270			
3.0 kΩ	HF45 6300	HF45 6300			
3.3 kΩ	HF45 6330	HF45 6330			
3.6 kΩ	HJ35 6360	HF85 6360			
3.9 kΩ	HF45 6390	HF45 6390			
4.7 kΩ	HF45 6470	HF45 6470			
5.1 kΩ	HF45 6510	HF45 6510			
5.6 kΩ	HF45 6560	HF45 6560			
6.8 kΩ	HF45 6680	HF45 6680			
8.2 kΩ	HF45 6820	HF45 6820			
9.1 kΩ	HF45 6910	HF45 6910			


* : Not available



1 ■ EXPLODED VIEW

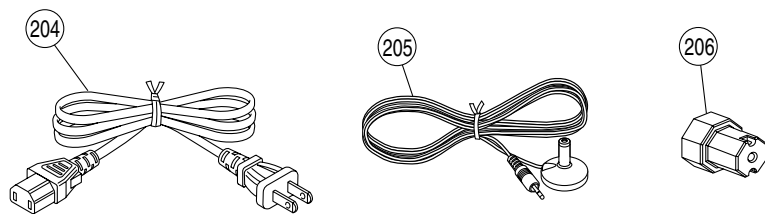
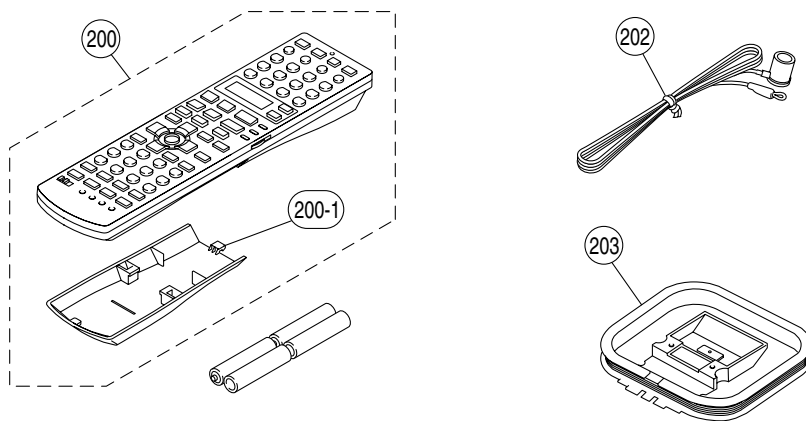


MECHANICAL PARTS

Ref. No.	Part No.	Description	Remarks	Markets
*	4	WG076400 P. C. B. ASS'Y	POWER	
*	5	WG078400 P. C. B. ASS'Y	DSP	
*	6	WG080800 P. C. B. ASS'Y	FUNCTION	
*	7	WG081000 P. C. B. ASS'Y	A-VIDEO	
*	8	WG081900 P. C. B. ASS'Y	D-VIDEO	
*	9	WG082700 P. C. B. ASS'Y	INPUT	
*	10	WG083600 P. C. B. ASS'Y	OPERATION	
*	11	WD048300 AM/FM TUNER	FAE385-A01F	
* 	14	X7037A00 POWER TRANSFORMER		
	22	V8466600 DC FAN MOTOR 24V	DC D08A-24TG	
*	25	MF131120 FLEXIBLE FLAT CABLE	31P 120mm P=1.25	
	28	MF115140 FLEXIBLE FLAT CABLE	15P 140mm P=1.25	
*	29	MF127100 FLEXIBLE FLAT CABLE	27P 100mm P=1.25	
*	30	MF119070 FLEXIBLE FLAT CABLE	19P 70mm P=1.25	
	101	V9151100 TOP COVER		
*	103	WF554500 REAR PANEL		
	120	VV544300 LEG	D60xH21	
*	132	WE183300 KNOB D48	VOLUME	
*	133	WC560500 KNOB D23		
	145	V3198100 DAMPER	GUARD	
	150	VZ117100 DAMPER T2	TOP-F	
*	151	VS658200 DAMPER TR		
	161	WE774100 BIND HEAD BONDING B-T. SCREW	3x8 MFZN2B3	
	162	WE774400 BIND HEAD B-TIGHT SCREW	3x8 MFZN2B3	
	163	WE936300 BIND HEAD B-TIGHT SCREW	3x6 MFZN2W3	
	164	WE774600 SCREW IC	3x18 MFZN2W3	
	165	WE774700 BIND HEAD S-TIGHT SCREW	4x10 MFZN2W3	
	167	VT669300 PW HEAD B-TIGHT SCREW	3x8-8 MFC2	
	169	VK522100 SPECIAL S-TIGHT SCREW	4x8-10 MFC2BL	
	170	AA627310 GROUND TERMINAL		
	171	VH313200 PW HEAD S-TIGHT SCREW	4x8-10 MFN13BL	
	173	WE774500 BIND HEAD B-TIGHT SCREW	3x30 MFZN2B3	
	174	WE774800 BIND HEAD P-TIGHT SCREW	3x8 MFZN2W3	
	175	V6509600 JACK SCREW	SS6-A47511848	

* New Parts

HTR-5990

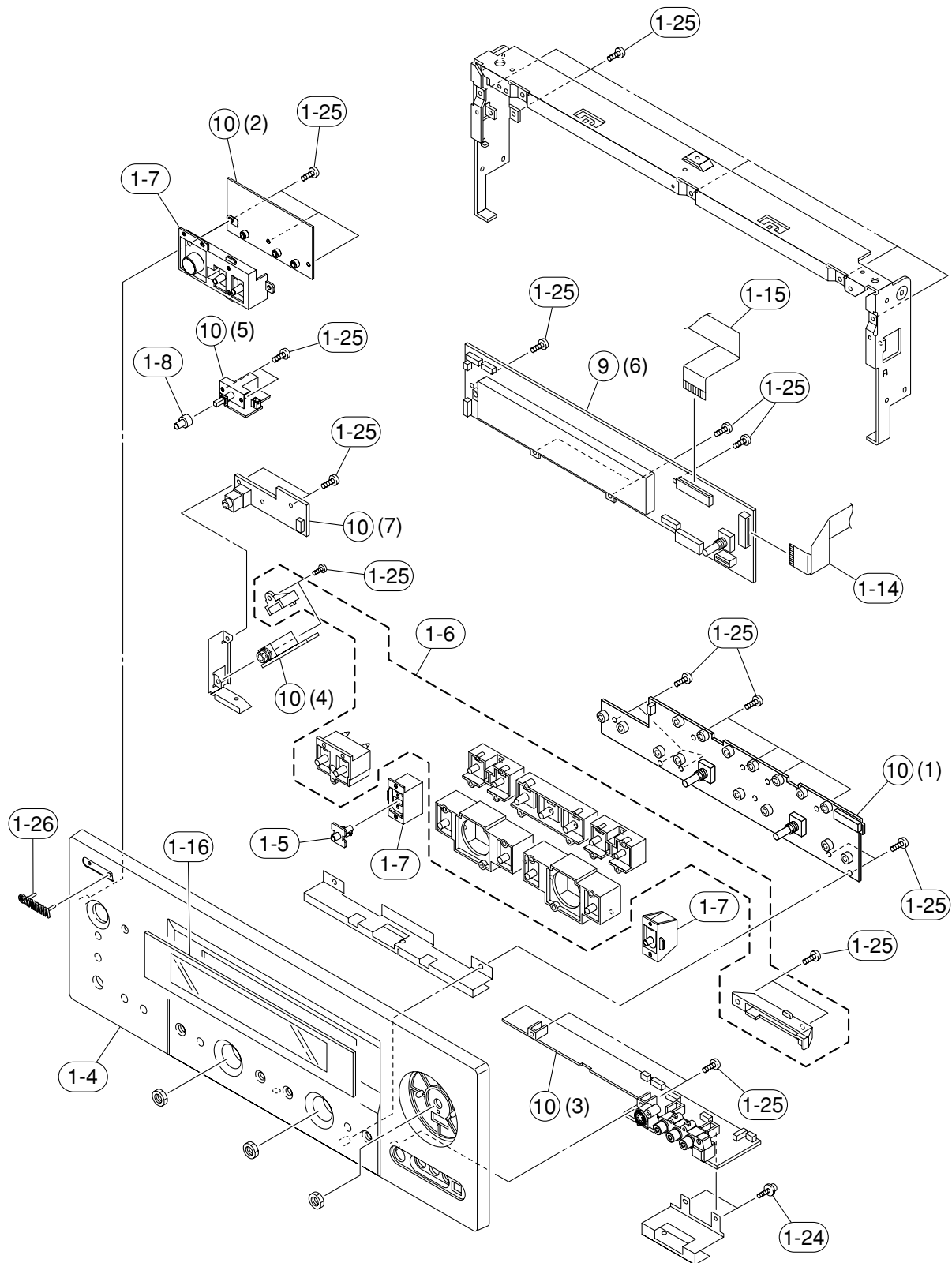
■ ACCESSORIES

Ref. No.	Part No.	Description	Remarks	Markets
		ACCESSORIES		
*	200	WF365400 REMOTE CONTROL	RAV356	RC1596007/00
	200-1	AAX59640 BATTERY COVER		3139 238 08051
	202	V6267000 INDOOR FM ANTENNA	1.4m 1pc	
	203	VR248500 AM LOOP ANTENNA	1.0m 1pc	
	△ 204	V7704800 POWER CABLE	2m 1pc	
	205	WB929200 OPTIMIZER MICROPHONE	EMX-251 6m 1pc	
	206	WC080100 SPEAKER TERMINAL WRENCH	LTS0090-0002GM 1pc	
		BATTERY (MANGANESE DRY)	UM-4E 4pcs	
		SERVICE TOOL		
	MF117350	FLEXIBLE FLAT CABLE	17P 350mm P=1.25	
	MF124500	FLEXIBLE FLAT CABLE	24P 500mm P=1.25	
	MF131500	FLEXIBLE FLAT CABLE	31P 500mm P=1.25	
*	MF404250	CRIMPING ASS'Y B&C	4P 250mm B&C	
*	MF405400	CRIMPING ASS'Y B&C	5P 400mm B&C	
*	MF408250	CRIMPING ASS'Y B&C	8P 250mm B&C	

* New Parts

HTR-5990

FRONT PANEL UNIT

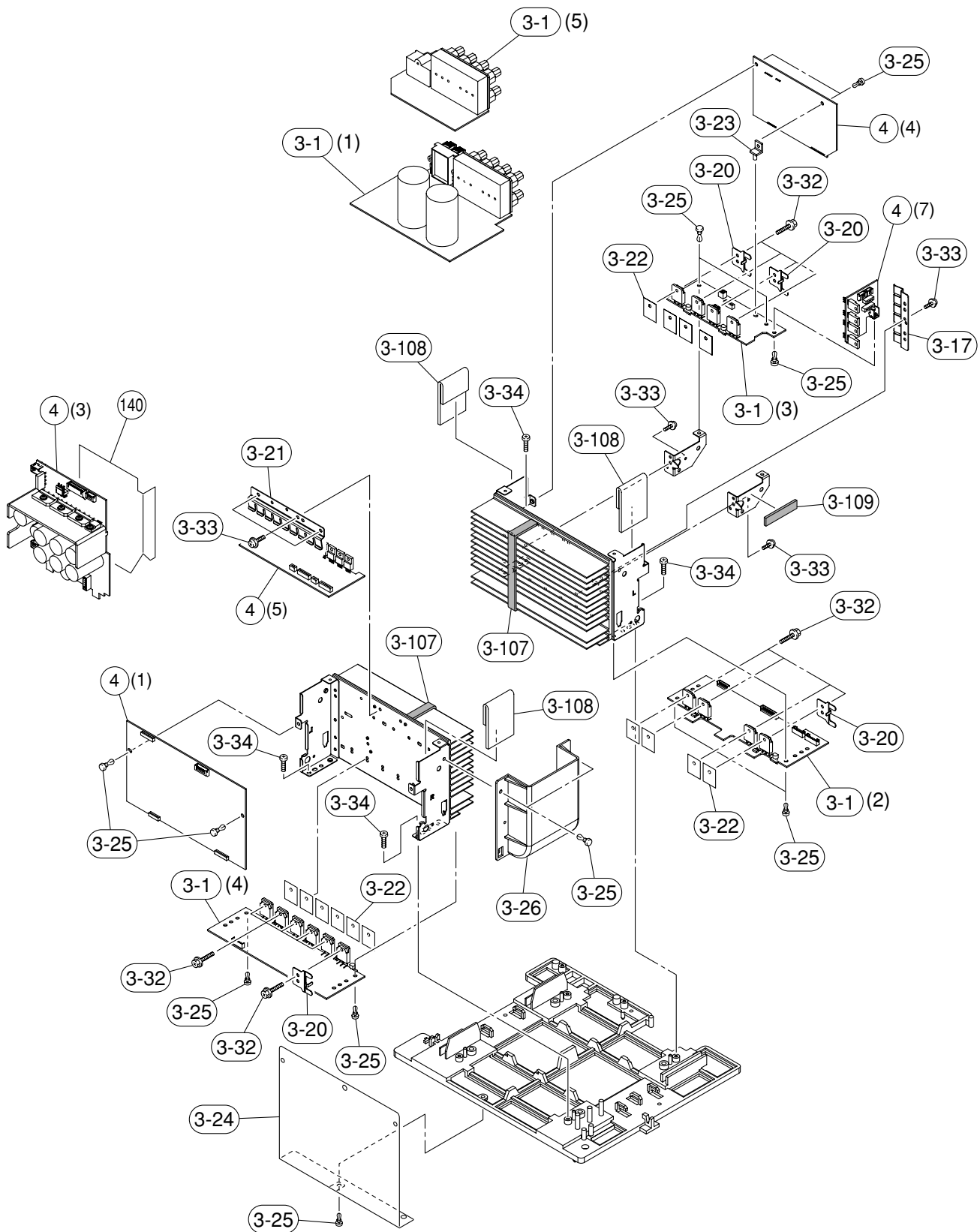


Ref. No.	Part No.	Description	Remarks	Markets
*	1-4	WF586400	FRONT PANEL ASS'Y	
	1-5	WC504300	LENS BUTTON	
*	1-6	WC491700	BUTTON CASE 5760	
*	1-7	WF552000	BUTTON 5990	
	1-8	V6001900	BUTTON D5	
	1-14	MF117100	FLEXIBLE FLAT CABLE	17P 100mm P=1.25
*	1-15	MF124300	FLEXIBLE FLAT CABLE	24P 300mm P=1.25
*	1-16	WF872200	SHEET WINDOW	
	1-24	WE774100	BIND HEAD BONDING B-T. SCREW	3x8 MFZN2B3
	1-25	WE774800	BIND HEAD P-TIGHT SCREW	3x8 MFZN2W3
	1-26	V6034200	EMBLEM	
*	9	WG082700	P.C.B. ASS'Y	INPUT
*	10	WG083600	P.C.B. ASS'Y	OPERATION

* New Parts

HTR-5990

AMP UNIT



Ref. No.	Part No.	Description	Remarks	Markets
*	3-1	WG075500 P. C. B. ASS' Y	MAIN	
*	3-17	WG432400 SUPPORT TR-6		
	3-20	WB297600 SUPPORT TR		
	3-21	WD418800 SUPPORT TR-9		
	3-22	VV849300 RADIATION SHEET	19x24	
	3-23	CB091290 SUPPORT P. C. B.	No. 1645	
	3-24	WA207000 SHEET SHIELD B		
	3-25	VQ368600 PUSH RIVET	P3555-B	
	3-26	V9120600 DUCT		
	3-32	VK173200 SCREW TRANSISTOR	3x15 SP MFC2	
	3-33	VT669300 PW HEAD B-TIGHT SCREW	3x8-8 MFC2	
	3-34	WE774800 BIND HEAD P-TIGHT SCREW	3x8 MFZN2W3	
	3-107	VP922500 DAMPER	2x10x170	
	3-108	V3198100 DAMPER	GUARD	
	3-109	VZ117100 DAMPER T2	TOP-F	
*	4	WG076400 P. C. B. ASS' Y	POWER	
	140	WG662000 BARRIER TRANS		

* New Parts

ADVANCED SETUP

This unit has additional menus that are displayed in the front panel display. The ADVANCED SETUP menu offers additional operations to adjust and customize the way this unit operates. Change the initial settings (indicated in bold under each parameter) to reflect the needs of your listening environment.

Using ADVANCED SETUP

- 1 Press **MASTER ON/OFF** on the front panel to release it outward to the **OFF** position to set this unit, Zone 2 and Zone 3 to the standby mode.



- 2 Press and hold **STRAIGHT** (EFFECT) on the front panel and then press **MASTER ON/OFF** inward to the **ON** position to turn on the power of this unit.



- 3 Rotate the **PROGRAM** selector on the front panel to select the parameter you want to adjust.

The name of the selected parameter appears in the front panel display. See pages 88 and 89 for a complete list of available parameters.



Name of the selected parameter Current setting

- 4 Press **STRAIGHT** (EFFECT) on the front panel repeatedly to change the setting.



- 5 Press **MASTER ON/OFF** on the front panel to release it outward to the **OFF** position to save the new setting and set this unit, Zone 2 and Zone 3 to the standby mode.



The new setting is activated next time you press **MASTER ON/OFF** inward to the **ON** position to turn on the power of this unit, Zone 2 and Zone 3.

Notes

- The control buttons on the remote control and **VOLUME** as well as the other control buttons on the front panel except **MASTER ON/OFF**, **STRAIGHT** (EFFECT) and the **PROGRAM** selector are ineffective while you are using the **ADVANCED SETUP** menu.
- Zone 2, Zone 3 and the speaker relay are all turned off and all audio and video output is muted while you are using the **ADVANCED SETUP** menu.
- The **ADVANCED SETUP** menu is only available in the front panel display.

- Speaker impedance SP IMP** Use to set the impedance of this unit so that it matches that of your speakers.
 - Choices: 6ΩMIN, 8ΩMIN
 - Select 6ΩMIN for speakers with 6 ohms or higher.
 - Select 8ΩMIN for speakers with 8 ohms or higher.

- User preset PRESET** Use to reset all the parameters of this unit to the initial factory settings with the exception of System Memory and **AUTO SETUP** settings.
 - Choices: **CANCEL**, **RESET**
 - Select **CANCEL** if you do not want to reset the parameters of this unit.
 - Select **RESET** to reset the parameters of this unit.

Notes

- This setting does not affect the **ADVANCED SETUP** menu item parameters.
- The initial factory settings are activated next time you turn on the power of this unit.

ADVANCED SETUP

Fan operation mode FAN MODE

Use to set the operation of the cooling fan of this unit.

- Choices: **AUTO**, **CONT**
- Select **AUTO** to set the fan to operate automatically according to the temperature of this unit.
- Select **CONT** to set the fan to operate continuously regardless of the temperature of this unit.

Bi-AMP Bi-AMP

Use to activate or deactivate the bi-AMP function.

- Choices: **ON**, **OFF**
- Select **ON** if you want to activate the bi-AMP function.
- Select **OFF** if you want to deactivate the bi-AMP function.

Note

When **Bi-AMP** is set to **ON**, the **SURROUND BACK** terminals cannot be used to connect surround back speakers in that the **SURROUND BACK** terminals are already used for the bi-AMP connection (see page 17).

Video reset V-RESET

Use to initialize the parameter settings for **DISPLAY SET** in **OPTION MENU** (see page 83). This feature is useful if the **SET MENU** items are not displayed on your video monitor due to a technical error between the **COMPNT I/P** setting and the capability of your video monitor. That is, if your video monitor does not support the analog video signals with 480p of resolution, the **SET MENU** items may not be displayed on your video monitor when **COMPNT I/P** is set to **ON** (see page 83).

Note

The parameter setting for **DIMMER** is not initialized (see page 83).

ADVANCED OPERATION

Remote sensor REMOTE SEN

Use to activate or deactivate the signal-receiving capability of the remote control sensor on the front panel of this unit.

- Choices: **ON**, **OFF**
- Select **ON** if you want to activate the signal-receiving capability of the remote control sensor.
- Select **OFF** if you want to deactivate the signal-receiving capability of the remote control sensor.

Note

We recommend setting this parameter to **ON** in most cases.

Wake on RS-232C access WAKE ON 232C

Use to set this unit to transmit data via the **RS-232C** interface when this unit is in the standby mode.

- Choices: **Y** (yes), **N** (no)
- Select **Y** set this unit to transmit data via the **RS-232C** interface.
- Select **N** set this unit not to transmit data via the **RS-232C** interface.

Remote control AMP ID REMOTE AMP

Use to set the **AMP ID** of this unit for remote control recognition (see page 93).

- Choices: **ID1**, **ID2**
- Select **ID1** when the remote control **AMP** library code is set to 2601.
- Select **ID2** when the remote control **AMP** library code is set to 2602.

Note

You need to set the corresponding remote control code for the remote control.

- Remote control tuner ID REMOTE TUN** Use to set the tuner ID of this unit for remote control recognition (see page 93).

- Choices: **ID1**, **ID2**
- Select **ID1** when the remote control tuner library code is set to 2602.
- Select **ID2** when the remote control tuner library code is set to 2603.

Note

You need to set the corresponding remote control code for the remote control.

- Remote control XM ID REMOTE XM** Use to switch the XM-related remote control codes between **ID1** and **ID2**.

- Choices: **ID1**, **ID2**
- Select **ID1** when the remote control **XM** library code is set to 2604.
- Select **ID2** when the remote control **XM** library code is set to 2605.

Note

You need to set the corresponding remote control code for the remote control.



YAMAHA

HTR-5990