

CB1 Circuit Breaker, 10 Amp, Main

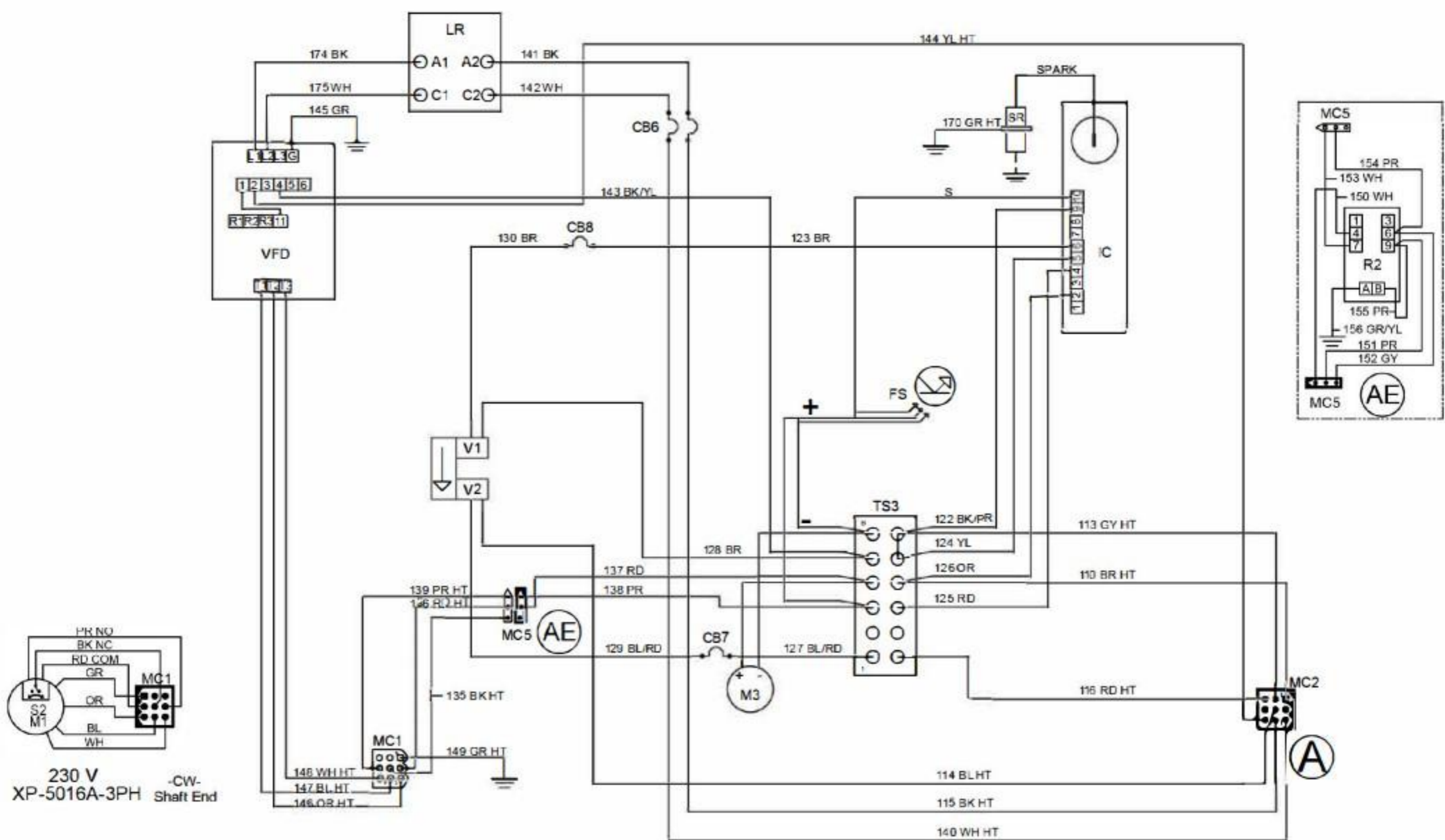
CB2 Circuit Breaker, 2 Amp, Gas Valve, HI/Low

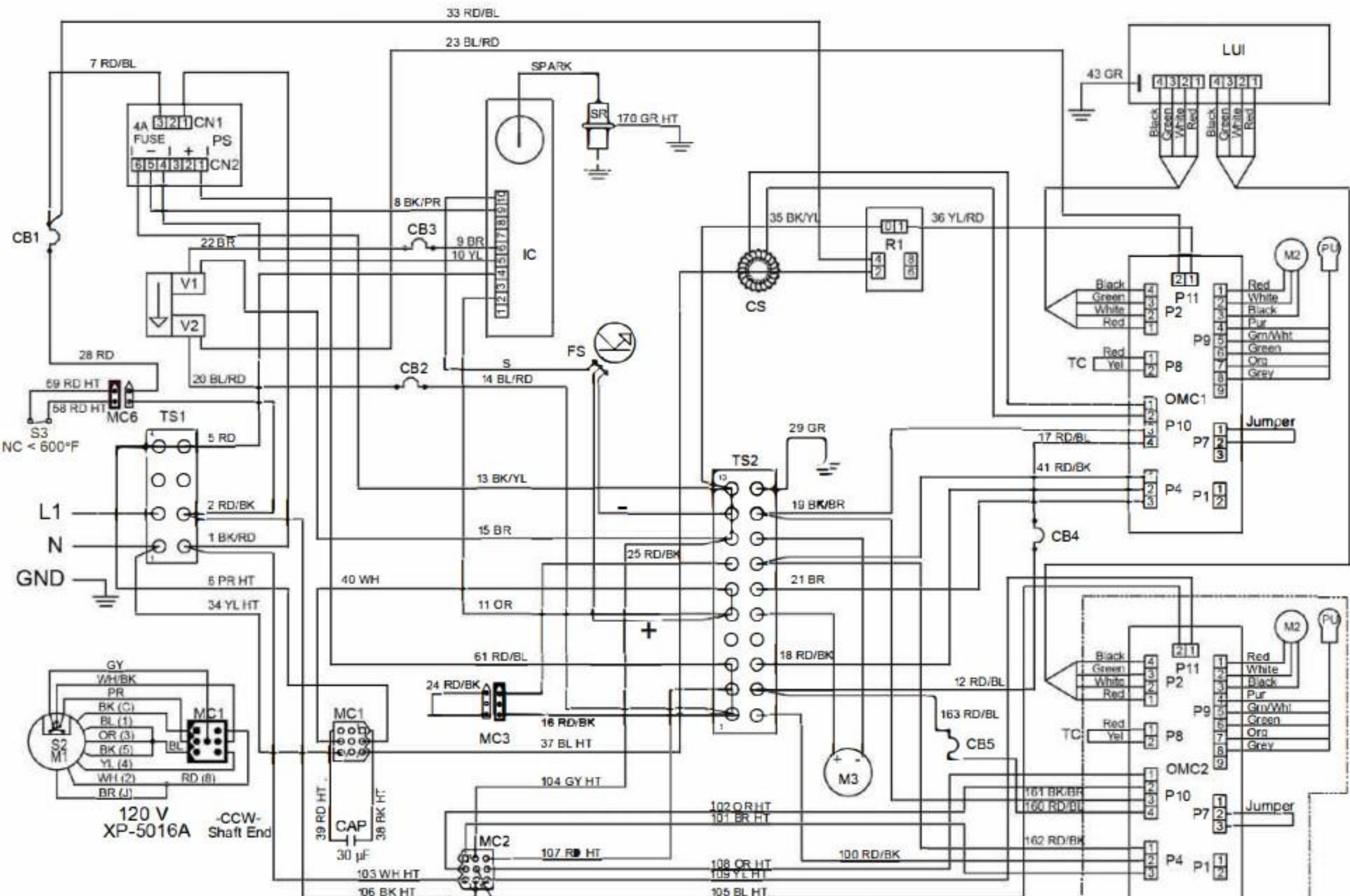
LR Line Reactor, 3% Impedance

M1 Motor, Oven Fan

S3 Switch, High Limit

Optional Split Belt





CAP

Capacitor 30µF

CB1

Circuit Breaker, 15 Amp, Main

A

M1

Motor, Oven Fan

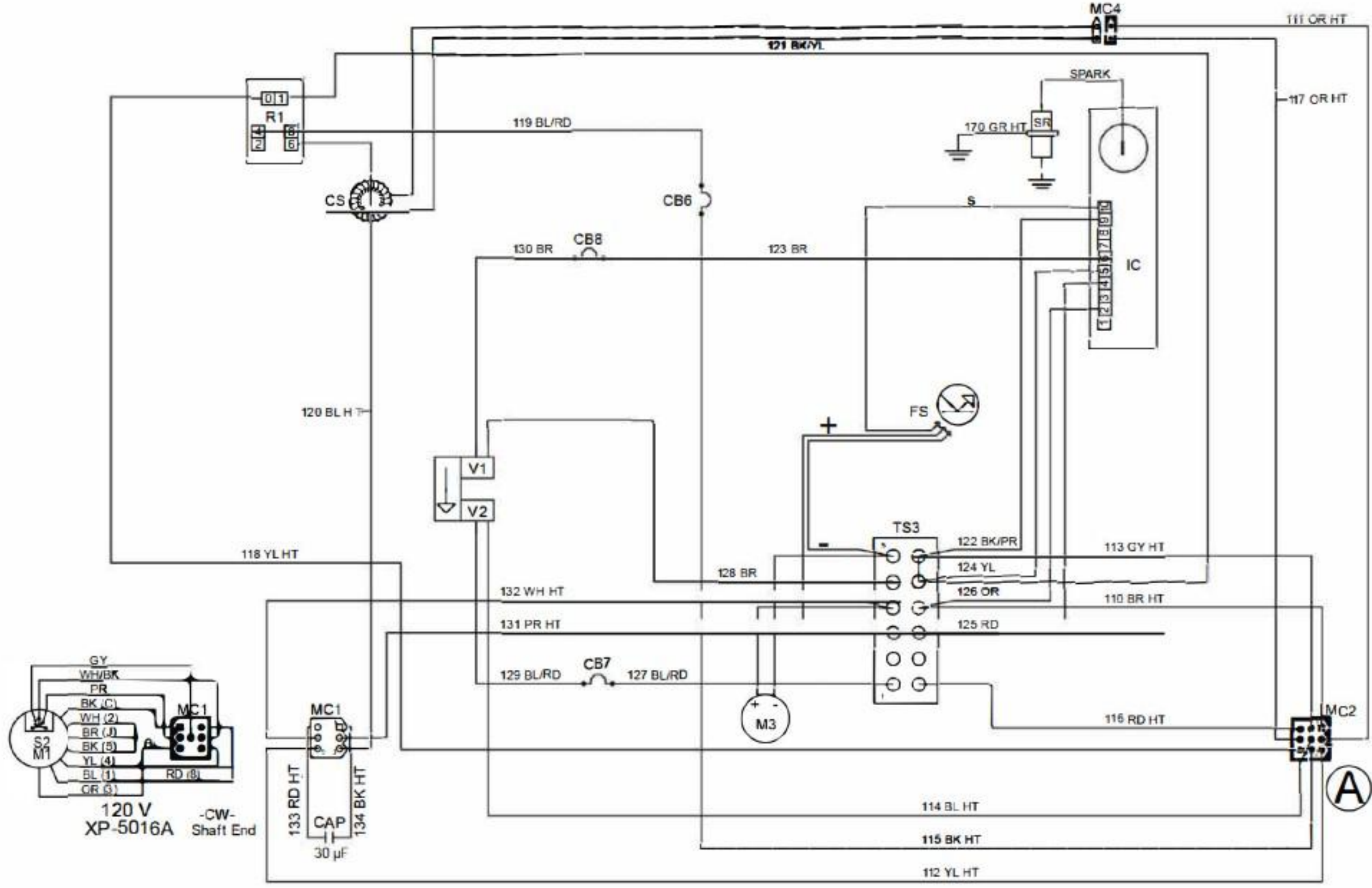
M2

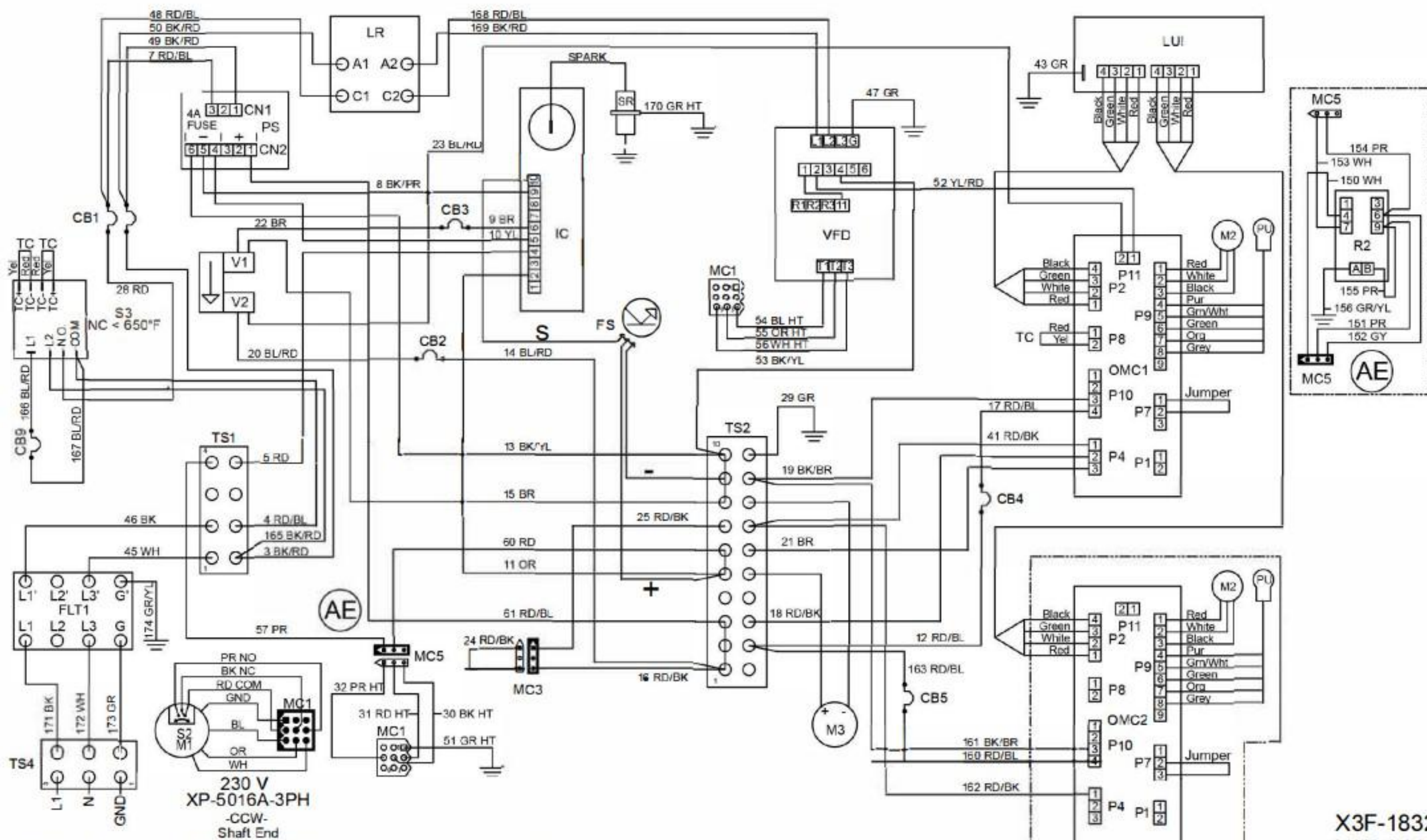
Motor, Compressor

CS

Switch, Centrifugal

Optional Split Belt





CB1 Circuit Breaker, 10 Amp, Main

CB2 Circuit Breaker, 2 Amp, Gas Valve, HI/Low

CB3 Circuit Breaker, 2 Amp, Gas Valve, ON/OFF

LR Line Reactor, 3% Impedance

M1 Motor, Oven Fan

M2 Motor, Conveyor

S3 Switch, High Limit

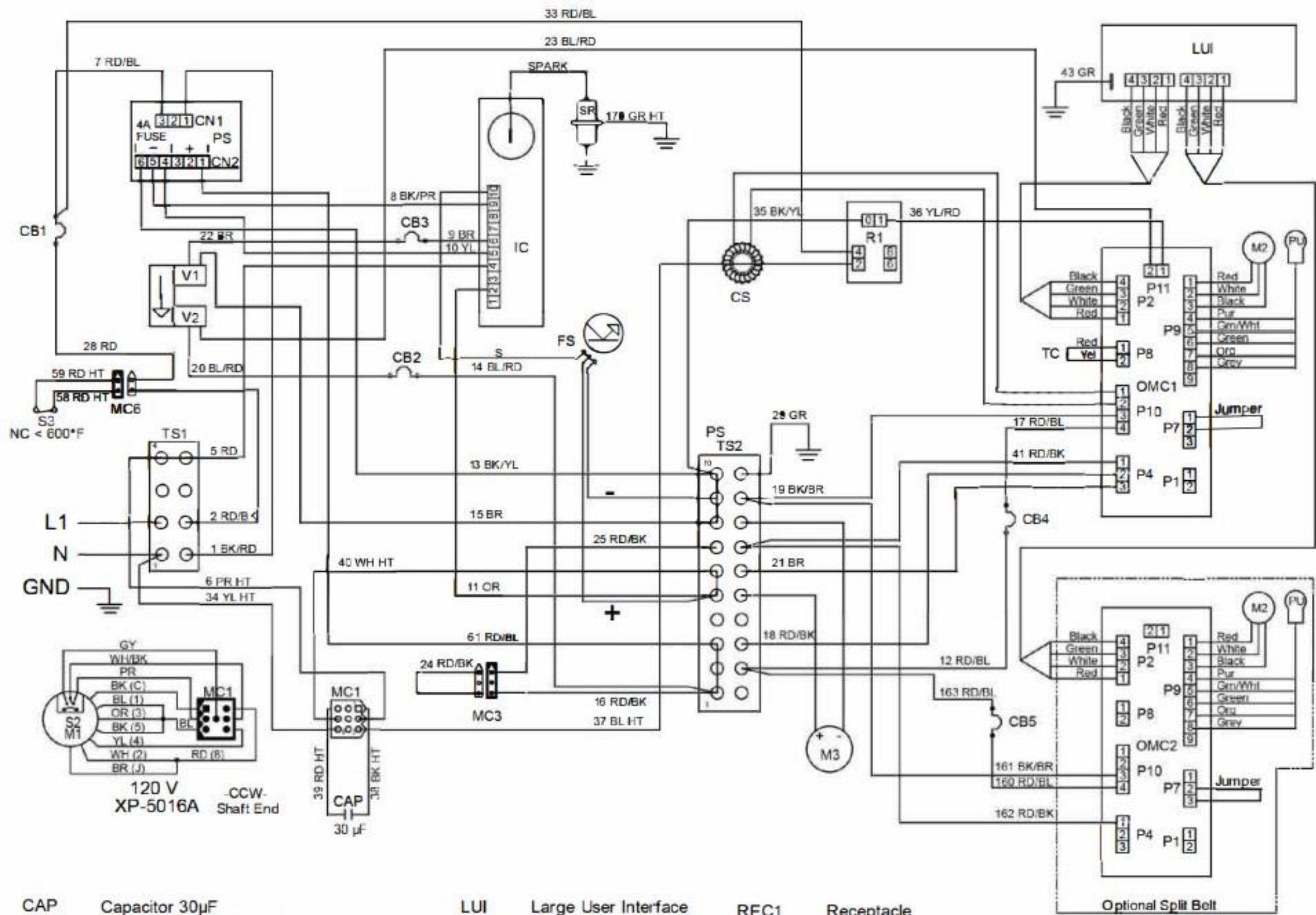
SR Spark Rod

X3F-1832

X3F-2440

X3F-3240

Optional Split Belt



CAP Capacitor 30μF
 CB1 Circuit Breaker 15 Amp Main

LUI Large User Interface
 M1 Motor Open End

REC1 Receptacle

Optional Split Belt