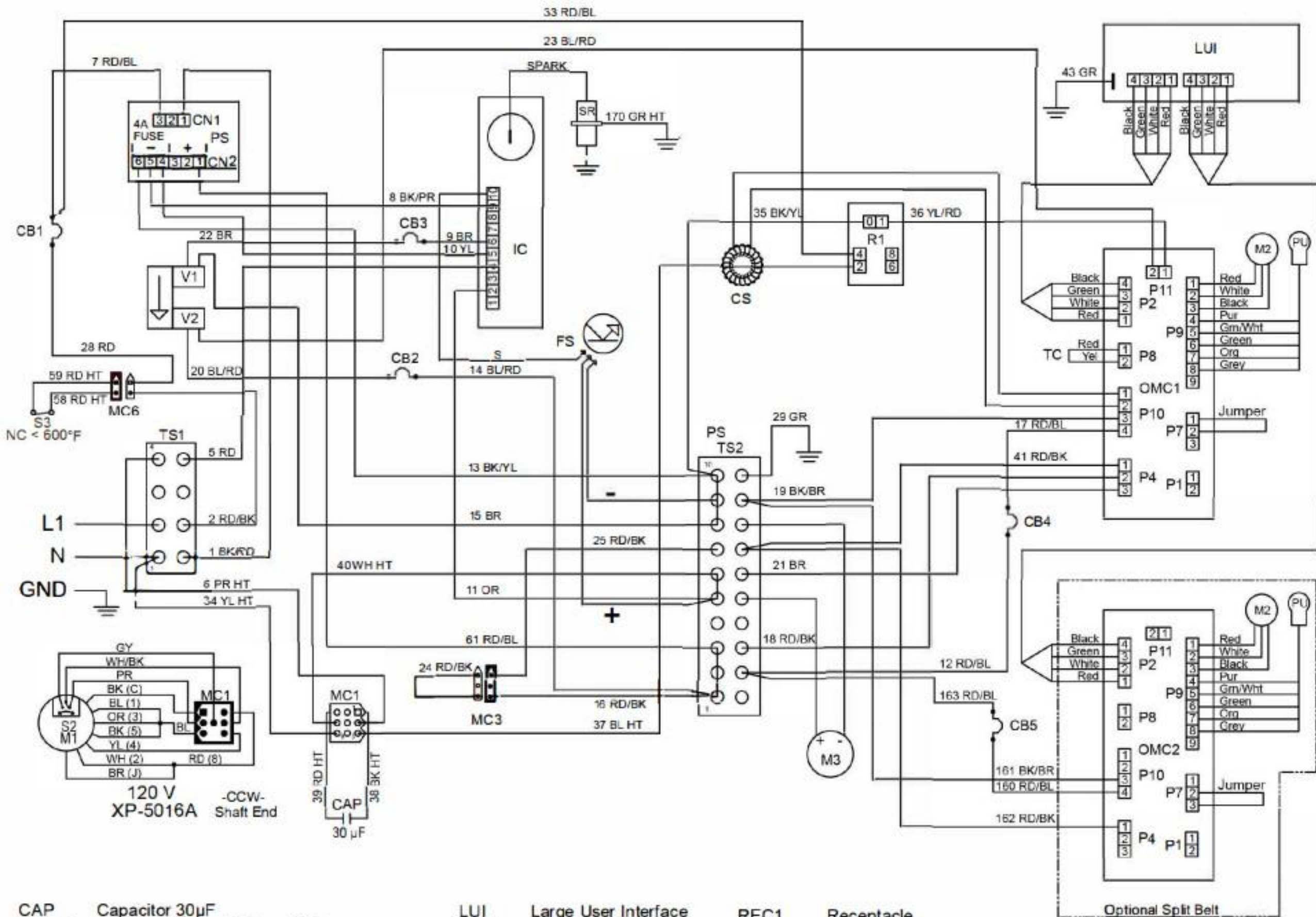


- |     |   |    |                            |    |                    |
|-----|---|----|----------------------------|----|--------------------|
| CB1 | Circuit Breaker, 10 Amp, Main             | LR | Line Reactor, 3% Impedance | S3 | Switch, High Limit |
| CB2 | Circuit Breaker, 2 Amp, Gas Valve, HI/Low | M1 | Motor, Oven Fan            | SR | Spark Rod          |
| CB3 | Circuit Breaker, 2 Amp, Gas Valve, ON/OFF | M2 | Motor, Conveyor            |    |                    |

X3F-1832  
 X3F-2440  
 X3F-3240  
 X3F-3355



CAP Capacitor 30μF  
 CB1 Circuit Breaker, 15 Amp, Main

LUI Large User Interface  
 M1 Motor, Open Frame

REC1 Receptacle

Optional Split Belt