

MODEL 660N

MODEL 670N



FEATURES:

- Dispensers accommodate tape, labels, and ribbon in any roll width having core diameters of either 1" or 3" and an overall diameter of up to 6"
- Rolls are installed and replaced without disturbing other in place
- 4 suction cups on bottom to secure placement of unit

MODEL 660N

Incl. (12) 0017055 adapter hubs & (22) 0017054 arms

MODEL 670N

Incl. (6) 0017055 adapter hubs & (12) 0017054 arms

DIMENSIONS:

MODEL 660N

- 18" Version
- 19"L x 8⁵/₈"W x 4¹/₈"H

MODEL 670N

- 10" Version
- 11"L x 8⁵/₈"W x 4¹/₈"H

SHIPPING INFORMATION:

MODEL 660N Single Unit

- Shipping Dimensions: 20"L x 9"W x 5"H
- Shipping Weight: 8 lbs.

MODEL 660N Case of 6 Units

- Shipping Dimensions: 20"L x 14"W x 20"H
- Shipping Weight: 50 lbs.

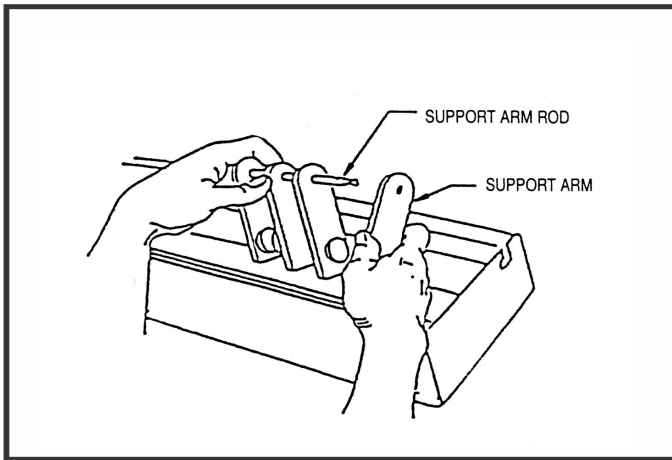
MODEL 670N Single Unit

- Shipping Dimensions: 12"L x 9"W x 5"H
- Shipping Weight: 5 lbs.

MODEL 670N Case of 6 Units

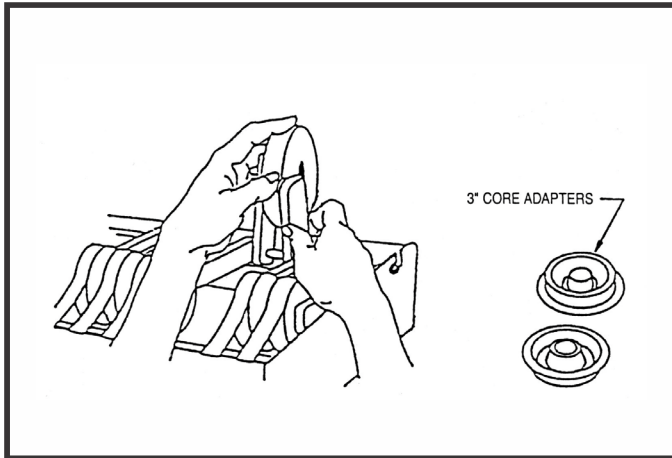
- Shipping Dimensions: 20"L x 14"W x 12"H
- Shipping Weight: 32 lbs.

ASSEMBLY & LOADING INSTRUCTIONS FOR MODELS 660N/670N



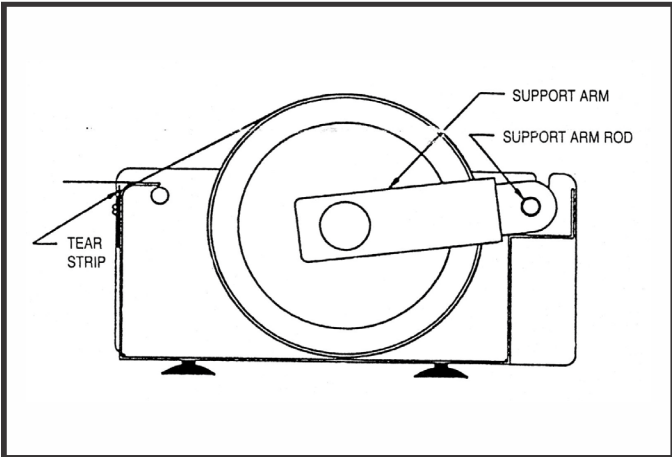
STEP 1:

To aid in assembly, spray wax or other lubricant on support rod. Two arms support each roll. Slide loaded support arm into "J" notches and pull forward.



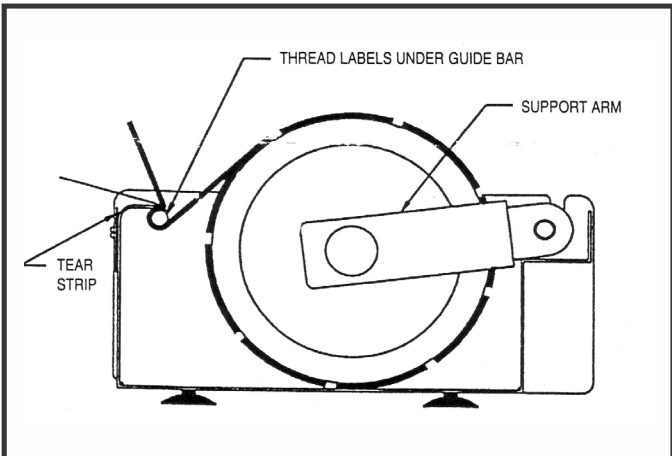
STEP 2:

Place rolls of labels, tape or ribbon in between support arms. 3" core adapters are included for large core rolls.



STEP 3:

Pull labels, tape or ribbon forward so it sticks to top flange of front wall.



STEP 4:

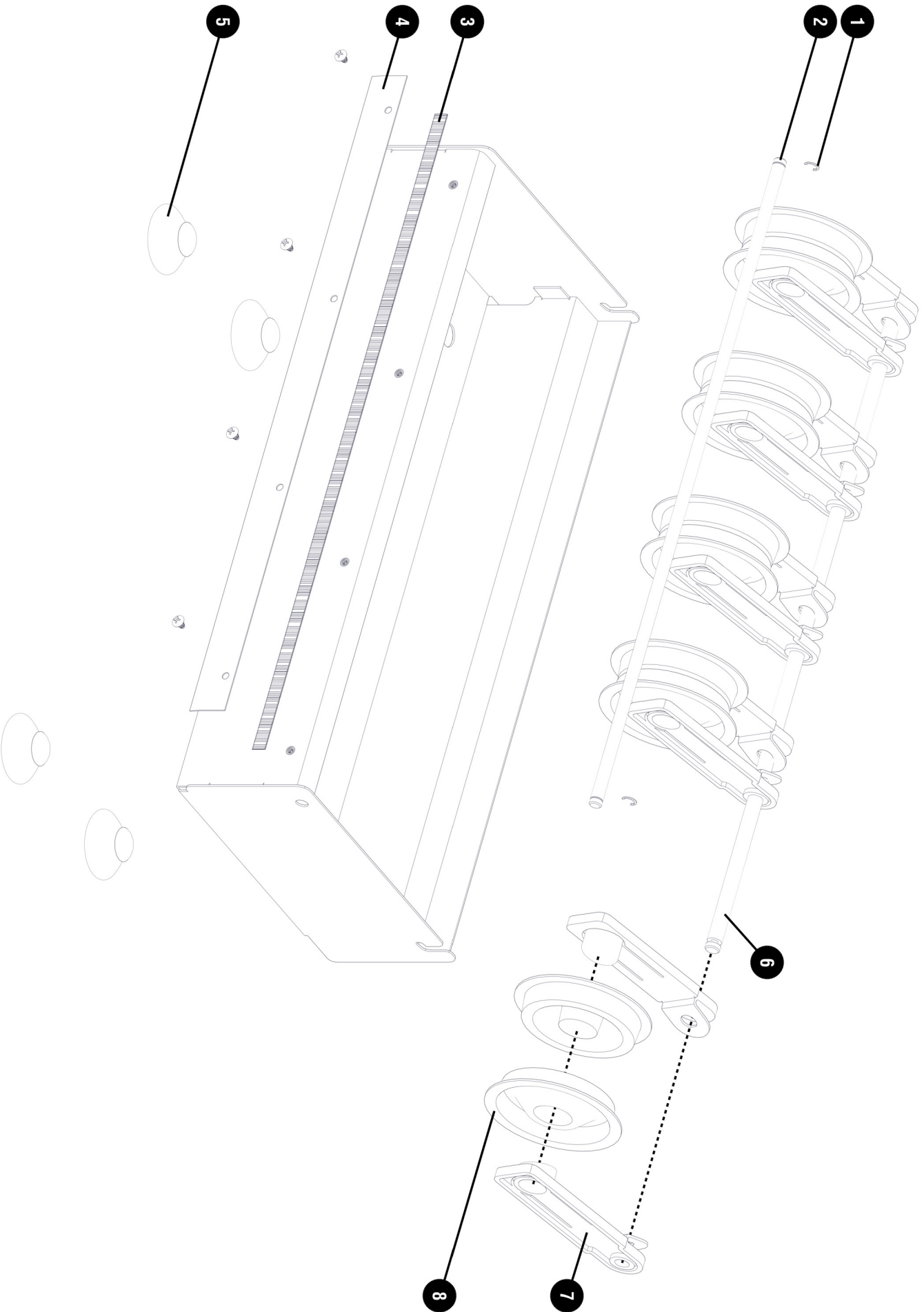
Thread label, tape or ribbon stock under guide bar and over top flange of front wall.

PARTS LIST:

MODEL 660N

ITEM #	PART#	DESCRIPTION
1.	0017059	EXTERNAL RETAINING RING
2.	0017058	TAPE GUIDE SHAFT
3.	0017067	18" TEAR STRIP CORRUGATED BLADE
4.	0017063N	TRAP STRIP
5.	0017076	SUCTION CUP #FLX159 EPDM 60
6.	0017057N	ARM SUPPORT SHAFT 18"
7.	0017054	ARM-MOLDED
8.	0017055	ADAPTER BLACK/HUB

Model 660N Exploded View

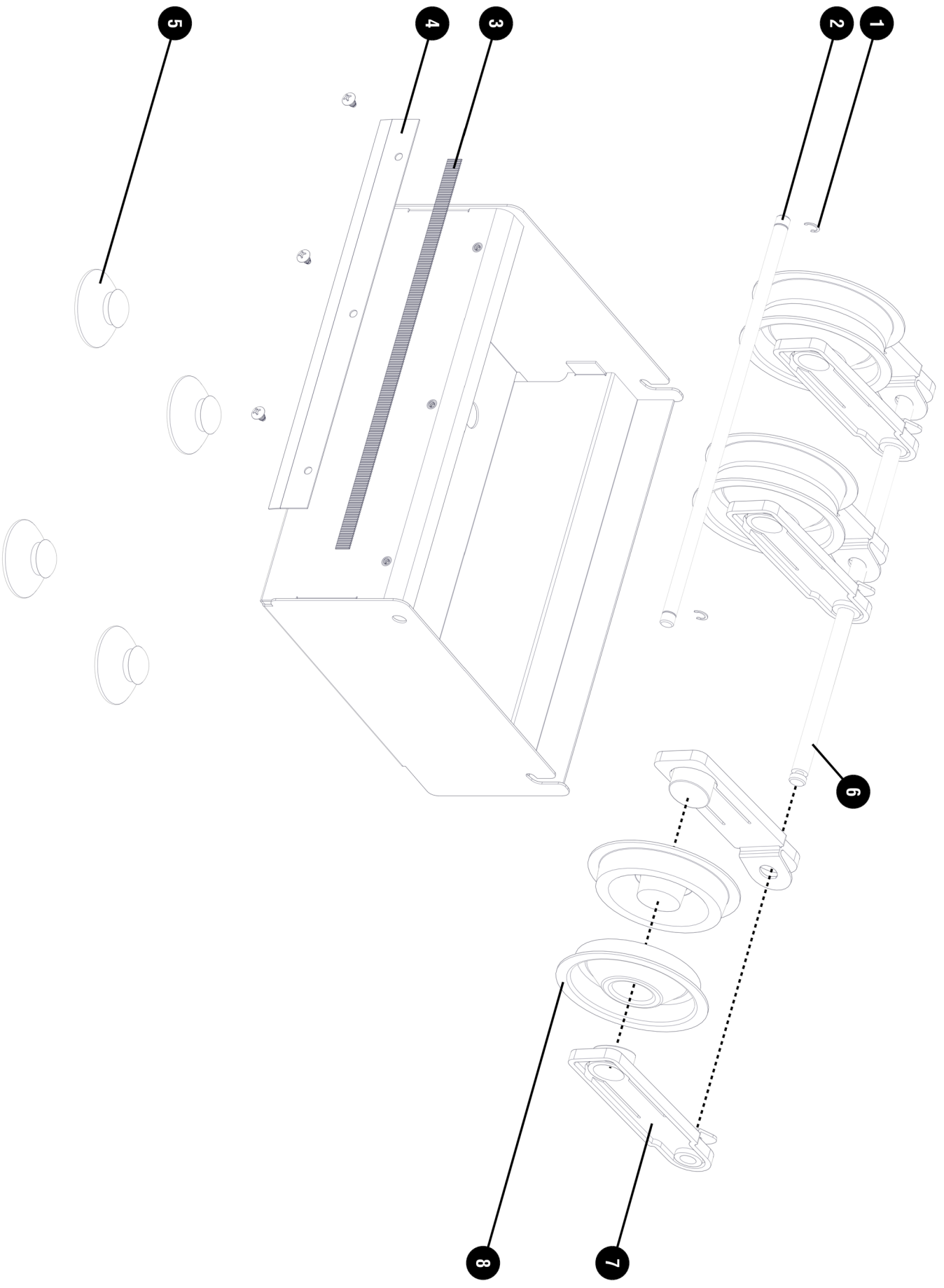


PARTS LIST:

MODEL 670N

ITEM #	PART#	DESCRIPTION
1.	0017059	EXTERNAL RETAINING RING
2.	0017102	TAPE GUIDE SHAFT
3.	0017103	10" TEAR STRIP CORRUGATED BLADE
4.	0017104N	TRAP STRIP
5.	0017076	SUCTION CUP #FLX159 EPDM 60
6.	0017112N	ARM SUPPORT SHAFT 18"
7.	0017054	ARM-MOLDED
8.	0017055	ADAPTER BLACK/HUB

Model 670N Exploded View



1 YEAR REPLACEMENT/EXCHANGE

Wisco Industries, Inc. warrants its equipment against defects in materials and workmanship subject to the following conditions:

Should any product fail to function in its intended manner under normal use within the limits defined in this warranty, Wisco Industries will determine if the item is to be repaired or replaced by Wisco Industries. Failure to follow authorizing instructions may void any claim and/or warranty.

* Contact Wisco Industries for repair/replacement by calling (608) 835-3106 or toll free (800) 999-4726.

You can also email us at: contact@wiscoind.com

* An authorizing RMA# must be obtained through Wisco Industries BEFORE any warranty issues can be resolved. Failure to do so in advance may void the warranty/claim resulting in Wisco Industries not being responsible for any incurred expenses and/or charges.

* At time of call Wisco Industries will assist you in:

- getting your unit replaced/exchanged
- and/or obtaining repair parts
- and/or authorizing a service agent

This warranty covers products shipped into the 48 contiguous United States, Hawaii and metropolitan areas of Alaska only. Warranty for international or areas not listed above will consist of replacement of parts only. There will be no labor coverage and parts must be shipped to an address within the 48 contiguous United States, Hawaii or metropolitan areas of Alaska only.

Time Period

One year from date of shipment from our manufacturing facility. Parts replaced under this warranty are warranted for the un-expired portion of the original product warranty only.

Exclusions

The following conditions are not covered by warranty:

- Equipment failure relating to improper installation and improper utility connection or supply.
- Equipment that has not been properly maintained or damage from improper cleaning and/or water damage to controls.
- Equipment that has not been used for its intended purpose or has been subject to misuse or misapplication, neglect, abuse, accident, alteration, negligence, damage during subsequent transit, delivery or installation, fire, flood, riot or act of god.
- Equipment that has the model number or serial number removed or altered.

WISCO INDUSTRIES, INC. DISCLAIMS AND EXCLUDES ANY AND ALL OTHER EXPRESS OR IMPLIED WARRANTIES, INCLUDING WITHOUT LIMITATION, ANY AND ALL WARRANTIES OF MERCHANTABILITY OR FITNESS FOR A PARTICULAR PURPOSE.

Buyer agrees that its SOLE AND EXCLUSIVE REMEDY against Wisco and Wisco's SOLE AND EXCLUSIVE LIABILITY arising out of any defect or nonconformity in the product shall be replacement/exchange of such nonconforming countertop food service equipment at Wisco's expense. No countertop food service equipment shall be returned without Wisco's consent. IT IS AGREED THAT WISCO'S MAXIMUM LIABILITY SHALL NOT IN ANY CASE EXCEED THE SALE PRICE FOR THE COUNTERTOP EQUIPMENT CLAIMED TO BE DEFECTIVE OR NONCONFORMING.

Without limiting the generality of the foregoing, SUCH WARRANTIES DO NOT COVER: Glass, plastic enclosures/panels, door assemblies, hardware, light bulbs & wire pizza oven heating elements.

SHIPPING DAMAGE

If the outside packaging of your order is visibly dented, crushed, torn or otherwise significantly damaged, or if you move the carton and you hear broken glass, please reject the shipment while driver is still with you if possible. Please call us at (800)999-4726 or email contact@wiscoind.com to notify us of the issue. We will confirm the damage with the carrier and re-ship your order immediately.

RETURN POLICY

You may return any unused, undamaged items within 30 days of receipt at your expense. We will issue a refund in the form of your original payment, less a 20% restock fee. Wisco Industries will not reimburse any shipping and handling fees. All returns must be received in resalable condition. Wisco Industries will not accept a return with shipping damage.

If you would like to return an item please call us at 608-835-3106 or toll free at 1-800-999-4726 and ask for our Food Service Equipment Division or you may send an email to us at: contact@wiscoind.com You will be given a return # and return instructions. We can not accept returns without a return #. Please be sure to include a copy of the packing list with the return.