

# PIZZA OVEN



## MODEL 560B DELUXE PIZZA OVEN

Produce perfect pizza! This versatile oven handles pizzas up to 16" in diameter. Everything from thin, thick and self-rising pizzas to pretzels, sandwiches and other food items can be prepared with ease. Long life, continuous operation, unique design and versatile capabilities make the 560B the ideal oven for demanding commercial food service environments.

The outer housing and grill front are made of 22 gauge brushed 430 stainless steel. The inner housing and other parts of the oven are made from aluminized steel for corrosion protection.

### FEATURES:

- Removable clean out tray
- 15 minute mechanical timer with "HOLD" option
- Variable control thermostat from 100 deg. to 675 deg F.
- Attractive stainless steel outer housing
- Insulated
- Long life calrod heating elements
- Flip up handle design for easier storage

### DIMENSIONS: DOES NOT REFLECT SHIPPING DIMENSIONS

10-1/4"H x 23-5/8"W x 19-1/2"D  
2-9/16" x 17-1/2" door opening  
Grill/Rack dimension: 17" x 17"

### ACTUAL WEIGHT: DOES NOT REFLECT SHIPPING WEIGHT

Approx. 40 lbs.

### ELECTRICAL DATA:

- 120 volts, 14.2 amps, 1700 watts
- Best when operated on an individual branch circuit
- 5' power cord length



An ISO 9001 Company

FP140133-M  
12/23/2014

### WISCO INDUSTRIES®


P.O. BOX #10  
OREGON, WI 53575  
PHONE: 608-835-3106  
FAX: 608-835-8273  
[www.thepizzaoven.biz](http://www.thepizzaoven.biz)

### LIMITED WARRANTY:

Wisco Industries, Inc. expressly warrants the product will be free from defects in workmanship and materials for a period of 1 year from the date of shipment. WISCO DISCLAIMS AND EXCLUDES ANY AND ALL OTHER EXPRESS OR IMPLIED WARRANTIES, INCLUDING WITHOUT LIMITATION, ANY AND ALL WARRANTIES OF MERCHANTABILITY OR FITNESS FOR A PARTICULAR PURPOSE.


Buyer agrees that its SOLE AND EXCLUSIVE REMEDY against Wisco and Wisco's SOLE AND EXCLUSIVE LIABILITY arising out of any defect or nonconformity in the product shall be replacement/exchange of such nonconforming countertop food service equipment at Wisco's expense. No countertop food service equipment shall be returned without Wisco's consent. IT IS AGREED THAT WISCO'S MAXIMUM LIABILITY SHALL NOT IN ANY CASE EXCEED THE SALE PRICE FOR THE COUNTERTOP EQUIPMENT CLAIMED TO BE DEFECTIVE OR NONCONFORMING.

**IMPORTANT:** Read the following safety and operation instructions to avoid injury and to avoid damage to equipment or property.

 Plug unit into a properly grounded electrical outlet of the correct voltage, size and plug configuration for this unit. We recommend usage on an individual branch circuit of at least 15 amps for best results. Failure to do so may result in decreased performance of the warmer.


 The oven should never be operated on or near combustible materials. Caution should be taken because of the hot surfaces attained during use. We recommend a 6" spacing from walls.

 Exterior surfaces on unit may get hot. Use caution when touching these areas to avoid injury.

 Improper assembly of the "flip up" handle to the grill could cause the grill to rotate the pizza when the pizza is removed from the oven resulting in hot food falling off the grill. See proper handle assembly instructions included in this instruction manual.

 When removing grill from oven, use caution to avoid hot food falling into the oven, on the operator, etc.

 Unplug oven when not in use

 Unit is not waterproof. Do Not submerge in water. Do not operate if unit has been submerged in water.

## **ASSEMBLING COMPONENT PARTS**

Included with your oven is a plastic bag containing the grill handle, clean-out tray knob and appropriate screws and nuts. See the instruction sheet for assembling the flip up handle and clean-out tray.

## **CLEANING INSTRUCTIONS**

Unplug oven and allow to cool before cleaning. This oven is designed with a clean-out tray which should be pulled out and cleaned often with warm soapy water and then dried thoroughly. Most of the spillage will fall directly on this tray. If spillage is cleaned off and not allowed to accumulate, the internal parts of the oven will stay relatively clean. Additionally, proper cleaning prevents emergence of smoke caused by a build up of carbon. The outside of the oven may be cleaned with a soft rag and stainless steel cleaner. As with all metals, there could be some sharp edges and caution should be used when cleaning.

- DO NOT USE ACIDS OR CAUSTIC PRODUCTS SUCH AS FOAMING OVEN CLEANERS.
- AVOID USING ABRASIVE/SCOURING PADS AS SOME MAY CAUSE SCRATCH MARKS ON UNIT.

## **HOW TO CONTACT US:**

If you have further questions in regards to this piece of equipment - please contact Wisco Industries, Inc. directly at: (608)835-3106 or (800)999-4726; fax (608)835-8273 for further information.

\*Please be sure to have the complete model # and serial # available.

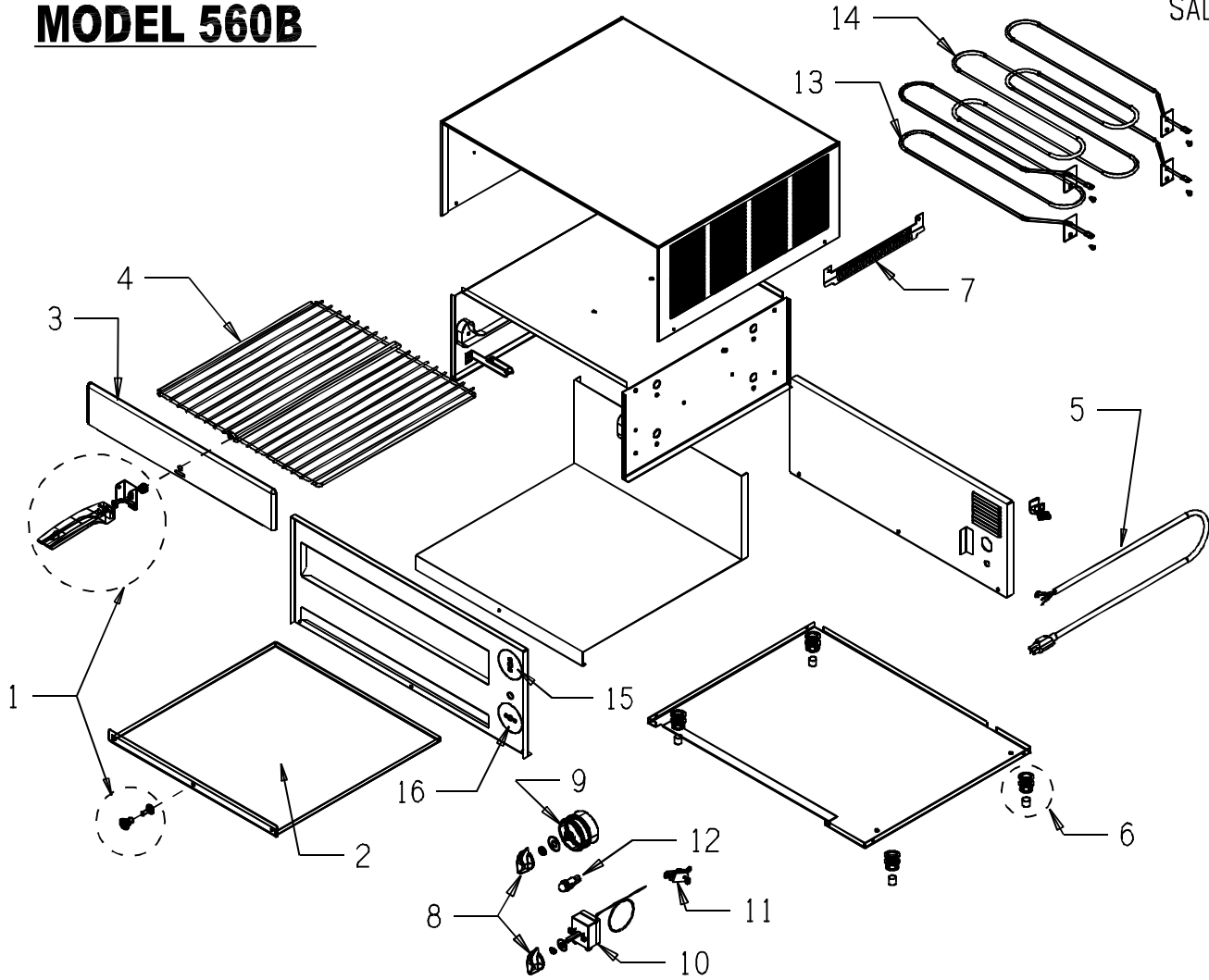


**MODEL 560B**

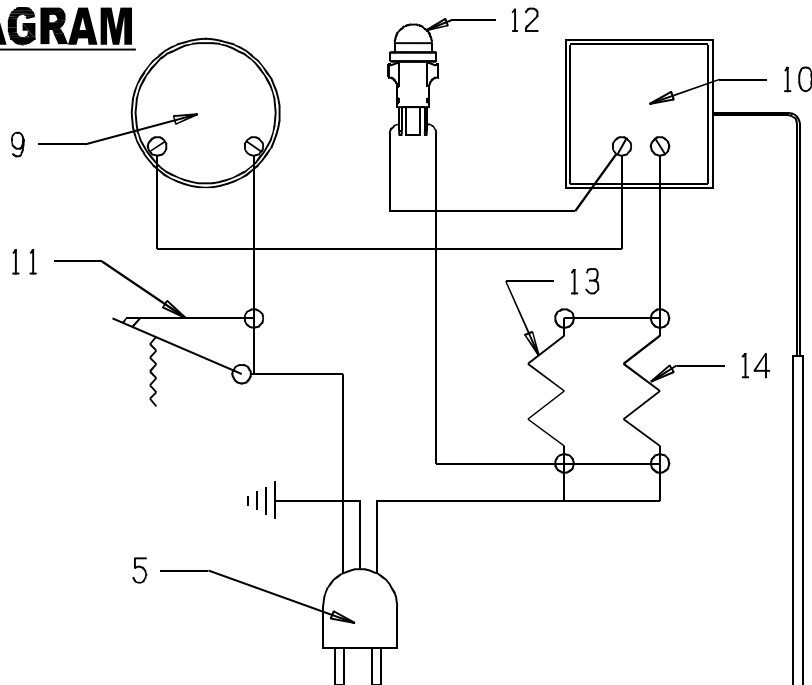
<u>ITEM #</u>	<u>PART #</u>	<u>DESCRIPTION</u>
1	0023019	BAG OF PARTS (Incl. Handle, nut, screw & clean out tray knob & screw)
2	008089	CLEAN OUT TRAY
3	008065	GRILL FRONT
4	008252	GRILL
5	00132	POWER CORD
6	0023057SK	BOTTOM FOOT SERVICE KIT
7	0017718S	BULB GUARD
8	008245	TIMER and/or TEMPERATURE KNOB
9	00481SK	TIMER SERVICE KIT
10	008244	REGULATING THERMOSTAT
11	008212	HI-LIMIT THERMOSTAT
12	009092	RED PILOT LIGHT
13	008092	HEATING ELEMENT (800W)
14	008093	HEATING ELEMENT (900W)
15	I013543	TIMER DECAL
16	I013544	TEMPERATURE DECAL

# MODEL 560B

SALES



## WIRING DIAGRAM



# Pizza Oven Handle Assembly Instructions

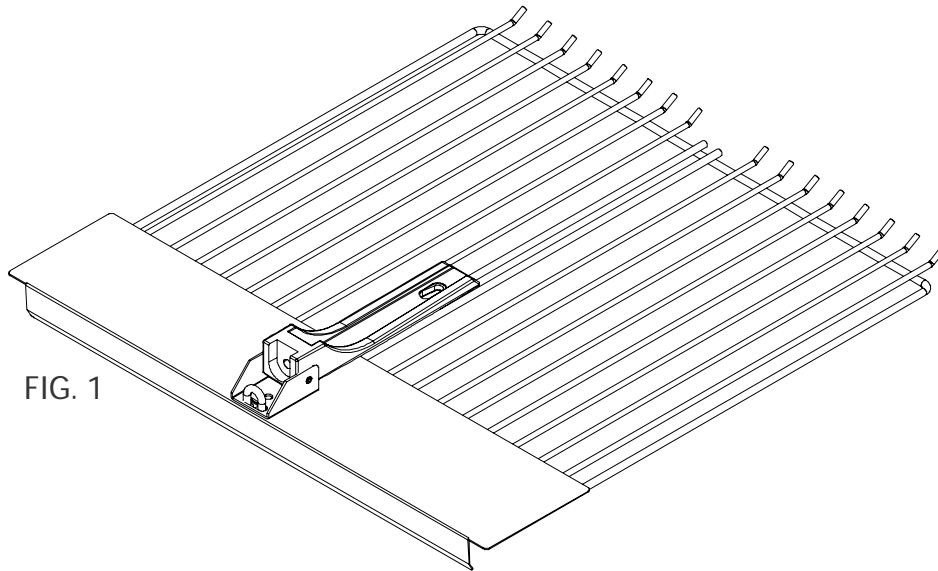
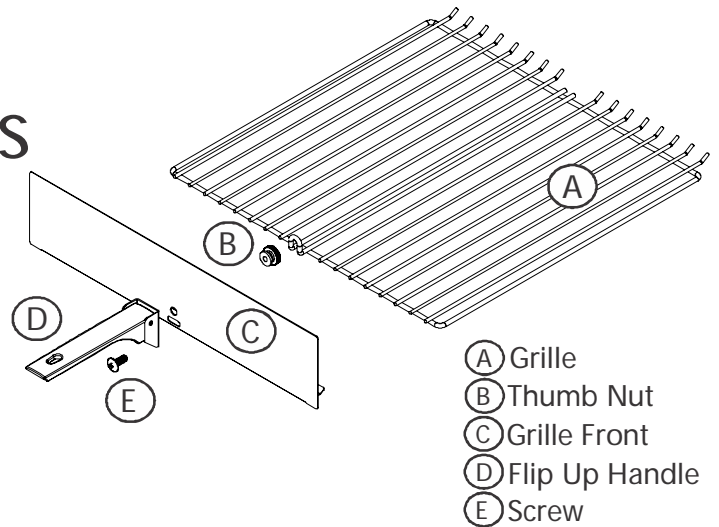


FIG. 1

## STEP 1

With the grille laying flat, slide the grille front over the grille loop allowing it to lay flat. Place the handle bracket over the loop.

FIG. 1.

## STEP 2

Rotate the grille front and handle into the upright position.

FIG. 2

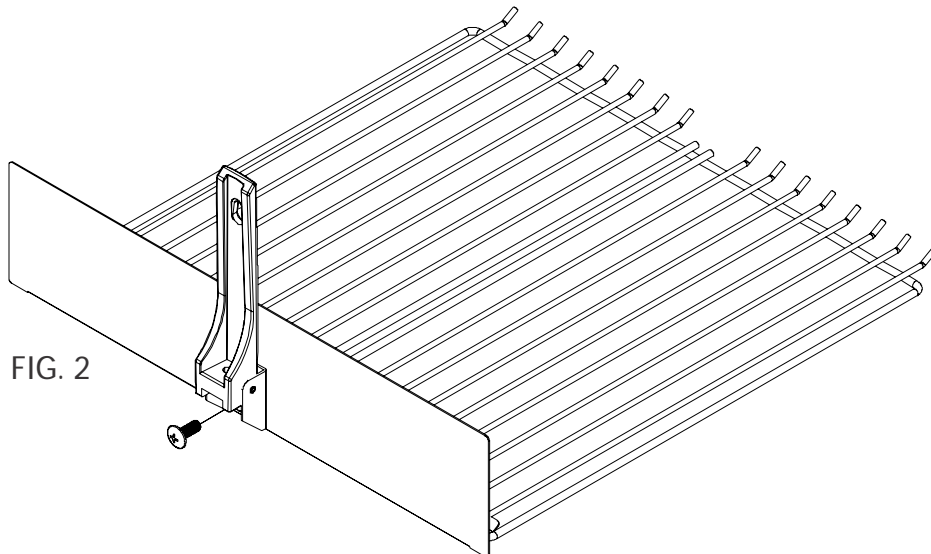


FIG. 2

## STEP 3

Insert the screw through the grille loop, the handle bracket and the grille front.

FIG. 3

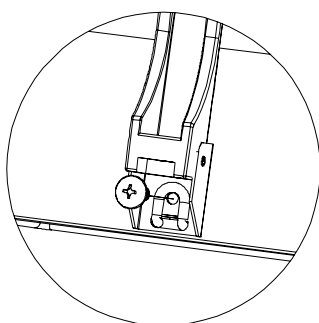


FIG. 3

## STEP 4

Thread the thumb nut onto the screw and tighten. Rotate the handle down and slide the grille into the oven for use.

FIG. 4

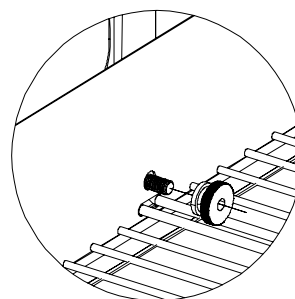


FIG. 4



An ISO 9001 Company

**WISCO INDUSTRIES, INC.**  
P.O. BOX 10 OREGON, WI 53575  
TELEPHONE (608)835-3106/(800)999-4726 FAX (608)835/8273

## WARRANTY INFORMATION

### \* 1 YEAR REPLACEMENT/EXCHANGE \*

If you should experience any mechanical difficulties with your Wisco Industries, Inc. manufactured unit during the 1 year warranty time period please do the following:

- \* Contact Wisco Industries, Inc. For repair/replacement by calling (608)835-3106 or Toll Free (800)999-4726.
- \* Please have your **MODEL #** and **SERIAL #** available. These numbers can be found on a black decal located on the lower side of the unit. There is also a date of manufacturing that can be found on the bottom of the unit.
- \* At that time, we can assist you in:
  - getting your unit replaced/exchanged
  - and/or obtaining repair parts
  - and/or authorizing a service agent
- \*\* Please note that you **MUST** contact Wisco Industries, Inc. and obtain an RMA# **BEFORE** any warranty issues can be resolved. **Failure to do so may void the warranty/claim resulting in Wisco Industries, Inc. not being responsible for any incurred expenses and/or charges.**

#### LIMITED WARRANTY:

Wisco Industries, Inc. expressly warrants the product will be free from defects in workmanship and materials for a period of 1 year from the date of shipment. WISCO DISCLAIMS AND EXCLUDES ANY AND ALL OTHER EXPRESS OR IMPLIED WARRANTIES, INCLUDING WITHOUT LIMITATION, ANY AND ALL WARRANTIES OF MERCHANTABILITY OR FITNESS FOR A PARTICULAR PURPOSE.

Buyer agrees that its **SOLE AND EXCLUSIVE REMEDY** against Wisco and Wisco's **SOLE AND EXCLUSIVE LIABILITY** arising out of any defect or nonconformity in the product shall be replacement/exchange of such nonconforming countertop food service equipment at Wisco's expense. No countertop food service equipment shall be returned without Wisco's consent. **IT IS AGREED THAT WISCO'S MAXIMUM LIABILITY SHALL NOT IN ANY CASE EXCEED THE SALE PRICE FOR THE COUNTERTOP EQUIPMENT CLAIMED TO BE DEFECTIVE OR NONCONFORMING.**