

COMMERCIAL STAINLESS STEEL TOUCH CONTROL MICROWAVE

Installation and Operating Instruction Manual

Visit www.wincous.com for manuals in English & Spanish
Visite www.wincous.com para ver manuales en inglés y español.



EMW-1000ST



For California Customers
WARNING: Cancer and Reproductive Harm -
www.P65Warnings.ca.gov

Model	Voltage	Input Power	Output Power	Amperage	Plug Type	Overall Dimensions			Product Weight
						Length	Depth	Height	
EMW-1000ST	120V~60Hz	1500W	1000W	12.5A	NEMA 5-15P	20-1/8" (511mm)	17" (441mm)	12-1/4" (311mm)	35.7 lbs 16.2 kgs
						Oven Capacity			
						0.9 Ft3			

BEFORE OPERATING ANY EQUIPMENT, READ AND FAMILIARIZE YOURSELF WITH THESE USE AND SAFETY INSTRUCTIONS

*Congratulations on your purchase of this SPECTRUM commercial equipment. When used as intended, and with proper care and maintenance, you are sure to experience years of reliable operation from this equipment. To ensure best results, it is important that you read and follow the instructions in this manual carefully. **It is important to keep these instructions in a safe place for future reference.***

Microwave with Touch Controls

Important For Future Reference

PLEASE COMPLETE THIS INFORMATION AND RETAIN THIS MANUAL FOR THE LIFE OF THE EQUIPMENT. FOR WARRANTY SERVICE AND/OR PARTS, THIS INFORMATION IS REQUIRED.

MODEL NUMBER

SERIAL NUMBER

DATE PURCHASED



WARNING: IMPROPER INSTALLATION, ADJUSTMENT, ALTERATION, SERVICE OR MAINTENANCE CAN CAUSE PROPERTY DAMAGE, INJURY, OR DEATH. READ THE INSTALLATION, OPERATION, AND MAINTENANCE INSTRUCTIONS THOROUGHLY BEFORE INSTALLING OR SERVICING THIS EQUIPMENT.

AVERTISSEMENT: TOUTE INSTALLATION, RÉGLAGE, MODIFICATION, RÉPARATION OU ENTRETIEN INCORRECT PEUT OCCASIONNER DES DOMMAGES MATÉRIELS, DES BLESSURES GRAVES OU LA MORT. LIRE LES INTRUCTIONS D'INSTALLATION, D'UTILISATION ET D'ENTRETIEN ATTENTIVEMENT AVANT D'INSTALLER OU DE RÉPARER CET APPAREIL.



CAUTION: THESE MODELS ARE DESIGNED, BUILT, AND SOLD FOR COMMERCIAL USE ONLY. IF THESE MODELS ARE POSITIONED SO THE GENERAL PUBLIC CAN USE THE EQUIPMENT, MAKE SURE THAT CAUTION SIGNS, WARNINGS, AND OPERATING INSTRUCTIONS ARE CLEARLY POSTED NEAR EACH UNIT SO THAT ANYONE USING THE EQUIPMENT WILL USE IT CORRECTLY AND NOT INJURE THEMSELVES OR HARM THE EQUIPMENT.

ATTENTION: CES MODÈLES SONT CONÇUS, FABRIQUÉS, ET VENDUS POUR UN USAGE COMMERCIAL SEULEMENT, SI CES MODÈLES SONT PLACÉS POUR QUE LE GRAND PUBLIC PUISSE LES UTILISER, ASSUREZ-VOUS QUE LES CONSIGNES D'ATTENTION, D'AVERTISSEMENT, ET LES INSTRUCTIONS D'UTILISATION SOIENT CLAIREMENT AFFICHÉES PRÈS DE CHAQUE UNITÉ DE SORTE QUE N'IMPORTE QUEL UTILISATEUR DE L'APPAREIL L'EMPLOIE CORRECTEMENT ET NE SE BLESSE PAS OU N'ENDOMMAGE PAS L'APPAREIL.



WARNING: A FACTORY AUTHORIZED SERVICE PROVIDER SHOULD HANDLE ALL MAINTENANCE AND REPAIR. BEFORE DOING ANY MAINTENANCE OR REPAIR, FOLLOW SERVICE SET UP ARRANGEMENT ON PAGE 11.

AVERTISSEMENT: UN TECHNICIEN AUTORISÉ PAR L'USINE DEVRA EFFECTUER TOUT L'ENTRETIEN ET LES RÉPARATIONS. AVANT DE FAIRE TOUT ENTRETIEN OU RÉPARATION, VEUILLEZ CONTACTER WINCO.



Introduction

Congratulations on the purchase of your SPECTRUM™ Commercial Equipment. Please take time to carefully read through this manual to ensure the machine is operated and maintained properly, to ensure the best possible performance from the product for many years.

SPECTRUM will not accept liability for the following if:

- The instructions in this manual have not been followed correctly.
- Non-authorized personnel have tampered with the machine.
- Non-original spare parts are used.
- The machine has not been handled and cleaned correctly.
- There is any use damage to the unit.

Immediately Inspect for Shipping Damage

All containers should be examined for damage before and during unloading. The freight carrier has assumed responsibility for its safe transit and delivery. If equipment is received damaged, either apparent or concealed, a claim must be made with the delivering carrier.

- A. Apparent damage or loss must be noted on the freight bill at the time of delivery. It must then be signed by the carrier representative (Driver). If this is not done, the carrier may refuse the claim. The carrier can supply the necessary forms.
- B. If concealed damage or loss is not apparent until after equipment is uncrated, a request for inspection must be made to the carrier within 15 days. The carrier should arrange an inspection. Be certain to keep all contents and packaging material.

Microwave with Touch Controls

Table of Contents

Specifications	1
Warnings	2
Introduction	2
Table of Contents	3
Packaging	3
Important Safety Instructions	4
Precautions	5
Safety	6
Installation	7
Operation	7
Care & Cleaning Instructions	12
Service & Repair	12
Troubleshooting	14
Limited Warranty	15

Package Contents

All units come with an Operating Instruction Manual and the following:

- (1) EMW-1000ST unit
- (1) Operating Instruction Manual

SPECTRUM prides itself on quality and service, ensuring that at the time of packing, all products are supplied fully functional and free of damage. Should you find any damage as a result of freight, please contact your SPECTRUM dealer immediately.

Installation and start-up must be performed by a qualified installer who has thoroughly read, understands and follows these instructions.

PLEASE KEEP THIS MANUAL IN A SAFE PLACE FOR FUTURE USE!

NOTE

Please remember that this manual and the warning labels do not replace the need to be alert, to properly train and supervise operators, and to use common sense when using this equipment.

IMPORTANT SAFETY INSTRUCTIONS

When using electrical appliances basic safety precautions should be followed, including the following:

WARNING

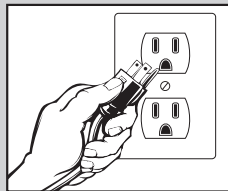
TO REDUCE THE RISK OF BURNS, ELECTRIC SHOCK, FIRE, INJURY TO PERSONS, OR EXPOSURE TO EXCESSIVE MICROWAVE ENERGY:

1. Read this manual thoroughly before installation and operation. DO NOT proceed with installation and operation if you have any questions or do not understand anything in this manual. Contact your representative or the manufacturer first.
2. Read and follow the specific "PRECAUTIONS TO AVOID POSSIBLE EXPOSURE TO EXCESSIVE MICROWAVE ENERGY" section on page 5.

Proper Grounding · Mise à la terre correcte

This machine is provided with a three-pronged grounding plug. The outlet to which this plug is connected must be properly grounded. If the receptacle is not the proper grounding type, contact an electrician. DO NOT, under any circumstances, cut or remove the third ground prong from the power cord or use any adapter plug.

Cette machine est équipée d'une fiche à trois broches. La prise sur laquelle cette fiche est branchée doit être correctement mise à la terre. Si la prise n'est pas le type de mise à la terre, contactez avec un électricien. NE PAS, en aucun cas couper ou enlever la troisième broche de terre à partir du cordon d'alimentation ou utiliser un adaptateur.




**USE A GROUNDED OUTLET
DO NOT ADD AN ADAPTOR
TO THE PLUG**

**UTILISER UNE PRISE AVEC MISE
À LA TERRE NE PAS AJOUTER UN
ADAPTEUR SUR LA FICHE**

3. This equipment must be GROUNDED. Connect only to properly GROUNDED outlet. See "GROUNDING INSTRUCTIONS" on page 7 for further details.
4. Install or locate this equipment only in accordance with the installation instructions in this manual.
5. DO NOT heat items susceptible to explosion in the microwave. These include, but are not limited to: eggs, sealed containers, glass jars, etc.
6. Use this equipment properly and only for its intended use as described within this manual. DO NOT use corrosive chemicals or vapors in this equipment. This type of oven is specifically designed to heat, cook, or dry food. It is NOT designed for industrial or laboratory use.
7. Inspect the product closely upon un-boxing. DO NOT operate this equipment if it has a damaged door, cord, or plug, if it is not working properly, or if it has been damaged or dropped.
8. DO NOT cover or block filter or other openings on this equipment.
9. DO NOT store or use this equipment outdoors.
10. DO NOT store or use this product near or in water. Never immerse the cord and / or plug in water.

11. Keep the cord away from heated surfaces.
12. DO NOT allow the cord to hang over the edge of a table or counter.
13. DO NOT overcook food as to avoid fire in the oven cavity.
14. If materials inside the oven ignite, keep the oven door CLOSED,

WARNING ⚠ Avertissement	
	Fire Hazard. Correct installation precautions, procedures and regulations must be followed. Operation and safety training is necessary for all users of this equipment.
	Risque d'incendie La surchauffe des vapeurs d'huile ou de l'huile peut s'enflammer et provoquer un incendie. Surveillez la température, la qualité et le niveau d'huile. Utilisez et entretenez le système d'élimination des vapeurs d'huile.

turn the unit off, and disconnect the power cord or shut off power at the fuse or circuit breaker panel.

15. DO NOT store items in the cavity. DO NOT operate the oven without load or food in the cavity.
16. To reduce the risk of fire in oven cavity:
 - a. Carefully attend to appliance, do not overcook food.
 - b. NEVER use paper, plastic, or combustible materials inside the oven to facilitate cooking.
17. After heating, allow the container to stand in the microwave oven for a short time before removing the container.
18. Clean the oven regularly and remove any food deposits. Closely follow the door cleaning instructions in the manual.
19. As with any appliance, close supervision is necessary when operated by children.
20. Do not use an extension cord. If the power supply cord is too short, have a qualified electrician or serviceman install an outlet near the appliance. Consult a qualified electrician or serviceman if the grounding instructions are not completely understood, or if doubt exists as to whether the appliance is properly grounded.
21. Clean the oven regularly and remove any food deposits. When cleaning surfaces of door and oven that comes together on closing the door, use only mild nonabrasive soaps, or detergents applied with a sponge or soft cloth.
22. As with any appliance, close supervision is necessary when operated by children.

NOTE

Please remember that this manual and the warning labels do not replace the need to be alert, to properly train and supervise operators, and to use common sense when using this equipment.

SAVE THESE INSTRUCTIONS

PRECAUTIONS - AVOID POSSIBLE EXPOSURE TO EXCESSIVE MICROWAVE ENERGY

1. **DO NOT** attempt to operate this microwave oven with its door open, since open door operation can result in harmful and dangerous exposure to microwave energy. It is important not to defeat or tamper with the safety interlocks.
2. **DO NOT** place any object between the front face of the oven and its door, or allow debris or residue to accumulate on sealing surfaces.
3. **DO NOT** operate the oven if it is damaged. It is especially important that the oven door closes properly and completely, and that there is no damage to the:
 - a. Door (bent)
 - b. Hinges and latches (broken or loose)
 - c. Door seals and sealing surfaces
4. The oven should **NOT** be adjusted or repaired by anyone except properly-qualified service personnel.

Radio Interference

Microwave operation may cause interference to radio, television, or a similar oven. Reduce or eliminate interference by doing the following:

1. Clean door and sealing surfaces of oven according to instructions in Care and Cleaning section.
2. Place radio, television, etc. as far as possible from oven.
3. Use a properly installed antenna on radio, television, etc., to obtain a stronger signal reception.

Cooking Containers

Tightly-closed containers could explode. Closed containers should be opened and plastic pouches should be pierced before cooking.

There may be certain non-metallic containers that are not safe to use for microwaving. If in doubt, you can test the containers in question following the procedure below.

Utensil Test:

1. Fill a microwave-safe container with 1 cup of cold water (250ml) along with the utensil in question.
2. Cook on maximum power for 1 minute.
3. Carefully feel the container. If the empty utensil is warm, do not use it for microwave cooking.
4. Do not exceed 1 minute cooking time.

Materials to Avoid

- Aluminum tray
- Food containers with metal handle or metal trimmed utensils
- Metal twist ties
- Paper bags
- Plastic foam
- Wood


Additional Warnings

To avoid personal injury or property damage, observe the following:

1. DO NOT attempt to deep fat fry in the oven. Fat can overheat and be extremely hazardous to handle.
2. DO NOT cook or reheat eggs in shell or with an unbroken yolk using microwave energy. Doing so may build up pressure and cause the egg to erupt. Pierce the yolk with a fork or knife before cooking.
3. Pierce the skin of potatoes, tomatoes, and similar foods before cooking with microwave energy. When the skin is pierced, steam escapes evenly.
4. DO NOT operate equipment without load or food in oven cavity.
5. Use only popcorn in packages designated for microwave use. **Popping time varies based on oven wattage.** DO NOT continue to heat after popping has stopped: popcorn will scorch or burn. DO NOT leave oven unattended.
6. DO NOT use regular cooking thermometers in oven. Most cooking thermometers contain mercury and will cause an electrical arc, malfunction, or damage to the oven.
7. DO NOT use metal utensils in the oven.
8. NEVER use paper, plastic, or other combustible materials that are not intended for cooking.
9. When cooking with paper, plastic, or other combustible materials, follow manufacturer's recommendations on product use.
10. DO NOT use paper towels that contain nylon or other synthetic fibers. Heated synthetics could melt and cause paper to ignite.
11. DO NOT heat sealed containers or plastic bags in oven. Food or liquid could expand quickly and cause container or bag to break. Pierce or open container or bag prior to heating.
12. To avoid pacemaker malfunction, consult physician or pacemaker manufacturer about effects of microwave energy on pacemaker.
13. Clean oven regularly and remove food deposits.
14. To avoid surface deterioration, keep oven in clean condition. Infrequent cleaning could adversely affect the life of the appliance and possibly result in a hazardous situation.

Warning: Liquids

Liquids such as water, coffee, or tea are able to be overheated beyond the boiling point without appearing to be boiling due to surface tension of the liquid. Visible bubbling or boiling when the container is removed from the microwave oven is not always present.

 HOT	WARNING	AVERTISSEMENT
	<p>Burn Hazard. Liquids such as water, coffee, or tea are able to be overheated beyond the boiling point without appearing to be boiling due to surface tension of the liquid. <i>Please take extreme caution.</i></p>	<p>Risque de brûlure. Liquides tels que l'eau, le café ou le thé peuvent être surchauffés au-delà du point d'ébullition sans sembler bouillir en raison de la tension de surface du liquide. <i>Se il vous plaît prendre une extrême prudence.</i></p>

THIS COULD RESULT IN VERY HOT LIQUIDS SUDDENLY BOILING OVER WHEN A SPOON OR OTHER UTENSIL IS INSERTED INTO THE LIQUID.

To reduce the risk of injury to persons:

1. DO NOT overheat the liquid.
2. Stir the liquid both before and halfway through heating it.
3. DO NOT use straight-sided containers with narrow necks.
4. After heating, allow the container to stand in the microwave oven for a short time before removing the container.
5. Use extreme care when inserting a spoon or other utensil into the container.

Safety

A WINCO Approved Service Technician should carry out repairs if necessary. DO NOT remove any components or service panels on this product.

If the power cord is damaged, it must be replaced by a WINCO Approved Service Technician in order to avoid a hazard.

SAVE THESE INSTRUCTIONS

Installation

Unpacking The Oven

1. Inspect oven for damage, including dents or cracks in the door or inside the oven cavity.
2. Remove all materials from oven interior.
3. Remove all plastic wrap and packaging material prior to use.
4. DO NOT install next to or above a source of heat (such as a pizza oven or deep fat fryer). This could cause microwave oven to operate improperly and could shorten the life of the electrical parts.
5. Install the oven on a level countertop surface.
6. Outlet should be located so that the plug is accessible when the oven is in place.

GROUNDING INSTRUCTIONS

WARNING IMPROPER USE OF THE GROUNDING CAN RESULT IN A RISK OF ELECTRIC SHOCK

To avoid risk of electrical shock or death, this oven must be grounded. To avoid risk of electrical shock or death, do NOT alter the plug.

Grounding reduces the risk of electric shock by providing an escape wire for the electric current should an electrical short occurs. This oven is equipped with a cord having a ground wire with a grounding plug. The plug must be plugged into an outlet that is properly installed and grounded. DO NOT use an extension cord.



If the power supply cord is too short, have a qualified electrician or serviceman install an outlet near the appliance. Consult a qualified electrician or serviceman if the grounding instructions are not completely understood, or if doubt exists as to whether the appliance is properly grounded.

Radio Interference

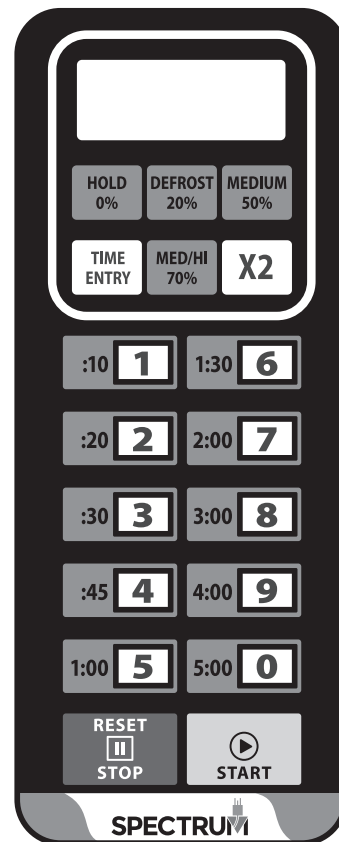
Microwave operation may cause interference to radio, television, or a similar oven. Reduce or eliminate interference by doing the following:

1. Clean door and sealing surfaces of oven according to instructions in Care and Cleaning section.
2. Place radio, television, etc. as far as possible from oven.
3. Use a properly installed antenna on radio, television, etc., to obtain a stronger signal reception.

Operation

IMPORTANT

Prior to first operation or to calling for service, please read this section carefully. Operation of a commercial microwave differs from that of a conventional household microwave.



1. POWER UP

"-- --" displays when the oven is powered up for the first time. If the [STOP] button is pressed, the oven will change to Idle Mode.

NOTE

In Idle Mode, no key can be pressed.

2. IDLE MODE

- a. The oven will enter Idle mode after a set number of seconds have gone by in Ready Mode without a user keyboard press or a door open and close. The default number of seconds is 60 and may be changed by resetting User Option 4.
- b. During Idle Mode, the LED is blank. There will be no oven activity.
- c. By opening and closing the oven door, the user can exit Idle Mode and go into Ready Mode.

Operation

3. READY MODE

- In this mode, the oven is ready to either begin a manual or preset cook cycle.
- Opening and closing the door while the oven is in Idle Mode will put the oven into Ready Mode.
- During Ready Mode, the LED display shows "0:00".

4. DOOR OPEN MODE

- While the door of the oven is open, the oven will be in Door Open Mode. This allows for entry into Programming Mode.
- During this mode, the LED is blank, the fan operates, and the oven light will be on.
- When the door is opened and closed, if User Option "OP:60" is selected and the oven was running a manual or preset cook cycle, the oven will enter Pause Mode.
- In all other cases, the oven shall return to Door Open Mode with User Option "OP:61" set. Opening and closing the door will clear all information about a Manual or Preset program that was running.

5. PAUSE MODE

- This mode allows users to temporarily stop the cooking cycle to inspect or stir the food item.
- While in Time Entry Mode or Preset Program Cook Mode, if the door is opened or closed, or if the **[STOP]** button is pressed, the oven will enter Pause Mode.
- While paused the LED will display the remaining cooking time.
- Pause Mode will expire back to Idle Mode in the exact same fashion as Ready Mode, depending upon User Option 4.
- If the **[STOP]** button is pressed, the oven will immediately go into Ready Mode. If **[START]** is pressed, the oven will go into working mode.

6. MANUAL COOK ENTRY MODE

- This mode allows for a user to manually enter a cooking time and power level.
- While in Ready Mode, pressing the **[TIME ENTRY]** button on the keypad will put the oven into Manual Cook Entry Mode.
- During this mode, "00:00" displays.
- Press the **[0%]**, **[20%]**, **[50%]**, or **[70%]** keys to select power level, and the LED will display the related power. If the same key is pressed twice, the power will change to PL10 (Power Level 10, or full power). If no power is chosen, PL10 is the default.
- During the setting process, press **[START]** button to enter Manual Cook Entry Mode and begin cooking. Press the **[STOP]** key to enter Ready Mode.

7. MANUAL COOK MODE

- This mode allows for cooking of food items. While in Manual Cook Entry Mode, pressing the **[START]** button will cause the oven to begin in Manual Cook Mode.
- In this mode, cooking time displays, the fan operates, and the oven light is on.
- When the cooking program completes, the oven will enter End of Cook Cycle Mode. If you press the **[STOP]** button under this mode, the oven will enter Pause Mode.

8. END OF COOK CYCLE MODE

- After time has expired in Manual Cook Mode or a Preset Program Cook Mode, the oven will enter into the End of Cook Cycle Mode.
- During this mode, "End" displays on the LED screen.
- If either User Option "OP:11" or "OP:12" is selected, the oven will continue to sound until the user acknowledges by either opening and closing the door or pressing the **[STOP]** key. If User Option "OP:10" is selected, after the 3-second beep, the oven will enter Idle Mode.

9. PRESET PROGRAM COOK MODE

- This mode allows for cooking of food items through a one-pad touch operation. While in Ready Mode, pressing one of the ten-digit keys on the keyboard will cause the oven to run the Preset Program associated with that key.
- The LED will display the remaining cooking time. If it is multi-stage cooking, the total remaining cooking time will not display a particular stage cooking time.
- If the program chosen exceeds the maximum time allowed by User Option 7, then the oven will beep three times and display "00:00" to indicate that the program is not acceptable.
- When the cooking program finishes, the oven will enter End of Cook Cycle Mode. If the user presses the **[STOP]** button while in this mode, the oven will enter Pause Mode.

10. ON-THE-FLY COOKING

- The user may start another cook cycle while the oven is operating or paused.
- While the oven is operating or while in the Pause Mode and if User Option "OP:51" is selected, pressing a Number Key will automatically start the preset cooking program associated with the selected number key.
- The LED will display the remaining cooking time.
- When the cooking program completes, the oven will enter End of Cook Cycle Mode. If the user presses the **[STOP]** key while in this mode, the oven will enter Pause Mode.

Operation

11. PROGRAMMING MODE

- This mode allows the user to assign cooking times and power levels to the keypad number keys.
- Open the door and press the Number 1 key for 5 seconds. The buzzer will sound once to indicate Programming Mode has been activated.
- The LED will display "ProG".
- Press any number button, 0-9, and the LED will display the saved time. Input the new desired time.
- Press **[0%]**, **[20%]**, **[50%]**, or **[70%]** to input the power level. The LED will display the related power. If the same button is pressed twice, the power will change to PL10 (Power Level 10, or full power). If no power is chosen, PL10 serves as the default.
- If **[X2]** is pressed, the LED will display "CF:80", the default factor of 80%. To change the cooking factor, press the desired number key for new factor.
- After setting the time and power, press **[START]** to save the cooking program. The LED display will show "ProG".
- If the total cooking time entered exceeds the maximum time allowed in User Option 7, when the **[START]** key is pressed to save the program, the buzzer will sound three times briefly, and the LED will display "00:00" to indicate that the program is unacceptable.
- Close the door and the oven will return to Ready Mode. Pressing the **[STOP]** button during the setting process will turn the oven to Door Open Mode. Programs not saved will be lost.

PROGRAMMING EXAMPLE:

Step 1: Open the oven door and press Number Key "1" for 5 seconds. The LED will display "ProG".

Step 2: Press Number Key "3". The program will be saved in "3".

Step 3: Press the Number Keys "1", "2", and "5" to input the cooking time. The LED will now display "1:25".

Step 4: Press the **[Med-Hi 70%]** button; "PL7" will display. Setting is complete.

Step 5: Press **[START]** to save. When the program is used the next time, only pressing "3" will suffice and the related program will begin.

NOTES

- If the electricity supply is interrupted, the saved programs will not be lost.
- Pressing **[STOP]** returns the oven to the Ready Mode and cancels the entered settings.

12. DOUBLE QUANTITY COOKING

- The **[X2]** pad allows two quantities of the same food item to be cooked at once.
- Press the **[X2]** key and then Preset Program Number(s) 0-9 within 5 seconds. The oven will begin cooking per the quantity preset cooking time.
- Press **[X2]**, and the LED will display "doub". Press the preprogrammed number key, and the LED will display the cooking time for two quantities.
For example: If the number "5" key is programmed to cook for 1 minute, when first pressing **[X2]** and then pressing the number "5", the oven will automatically set the cooking time to 1:48 (1:00 cook cycle x 1.8 "X2" cook factor = 1:48).
- When the cooking program completes, the oven will enter End of Cook Cycle Mode.
Note: X2 functionality may only be used with Programming Mode cooking.

13. STAGE COOKING PROGRAMMING

- This allows users to cook food items at a combination of various Power Levels.
- A maximum of three stages can be set. After setting the power and time for the first stage, press **[TIME ENTRY]** to set the second stage. Repeat to set the third stage.
- When setting the second or third stage, press **[TIME ENTRY]**. The LED will display "S-2" or "S-3" respectively.
- Press **[START]** to begin cooking.

PROGRAMMING EXAMPLE:

Stage 1: 1:25 at 70% power

Stage 2: 5:40 at 50% power

- Open oven door and press "1" key for 5 seconds. The LED displays "ProG".
- Press number key "3". The program will be saved in "3".
- Press "1", "2", "5" to input the cooking time. "1:25" displays.
- Press **[Med-Hi 70%]**. "PL7" displays.
- The first stage is complete.
- Press **[TIME ENTRY]**. The LED will display "S-2".
- Press "5", "4", "0" to input the cooking time. "5:40" displays.
- Press **[Medium 50%]**. "PL5" displays.
- The second stage is complete.
- Press **[START]** to save the program. To use this program, press "3". The oven will start operating for 7:05 (1:25 at 70% power, and 5:40 at 50% power).

Operation

14. USER OPTION MODE

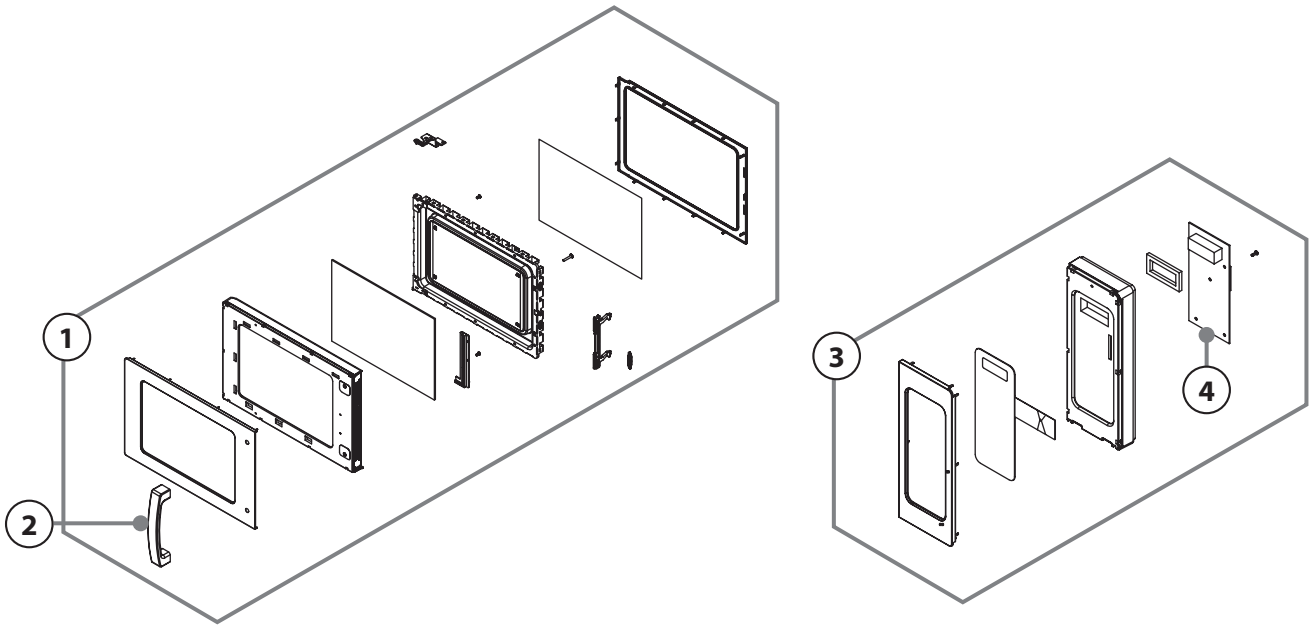
- This allows the user to choose various operation methods.
- Open the oven door and press "2" for 5 seconds. The buzzer sounds once to indicate User Option Mode is activated.
- The LED will display "OP: --".
- Press any number key to enter related mode setting. Please refer to the chart below for options.
 - Example: to set the buzzer of key beep volume to "Medium," press "2." "OP:22" will display on the LED.
 - To change, continue pressing "2". The LED will cycle "OP:20", "OP:21", "OP:22", "OP:23", etc.
 - Press **[START]** to save the current setting. After the setting has been saved, "OP: --" will display again.
 - During the programming process, press **[STOP]** to enter Door Open Mode. Closing the door will have the oven enter Ready Mode.
- If **[START]** is not pressed as the last step, the program will not be saved.

15. INQUIRY FUNCTION

- During the cooking process, press **[TIME ENTRY]** to check the power level. The LED will display the power for 3 seconds and then turn back to the previous state.

NUMBER KEYS	DISPLAY	OPTIONS (Factory Settings Bold)
1 END OF CYCLE BEEP	OP:10	3 second beep.
	OP:11	Continuous beep until door is opened.
	OP:12	5 beep bursts until door is opened.
2 KEY BEEP VOLUME	OP:20	Eliminates beep.
	OP:21	Sets volume to low.
	OP:22	Sets volume to medium.
	OP:23	Sets volume to high.
3 KEY BEEP	OP:30	Prevents beep when Number Key is pressed.
	OP:31	Allows beep when Number Key is pressed.
4 ACTIVE DISPLAY	OP:40	15 seconds after oven door is opened, keyboard is disabled.
	OP:41	30 seconds after oven door is opened, keyboard is disabled.
	OP:42	1 minute after oven door is opened, keyboard is disabled.
	OP:43	2 minutes after oven door is opened, keyboard is disabled.
5 ON-THE-FLY COOKING	OP:50	Prevents different pre-programmed Number Key to be activated during cooking.
	OP:51	Allows different pre-programmed Number Key to be activated during cooking.
6 RESET TO READY MODE	OP:60	Opening oven door does not reset oven back to ready mode.
	OP:61	Opening oven door resets oven back to ready mode.
7 MAXIMUM HEATING TIME	OP:70	Allows 60 minutes of heating time (some models).
	OP:71	Allows 10 minutes of heating time.
8 MANUAL OPERATION	OP:80	Allows use of preprogrammed Number Key only.
	OP:81	Allows use of manual time entry and preprogrammed Number Key.
9 DOUBLE DIGIT OPERATION	OP:90	Allows 10 (0-9) preprogrammed Number Keys.
	OP:91	Allows 100 (00-99) preprogrammed Number Keys.

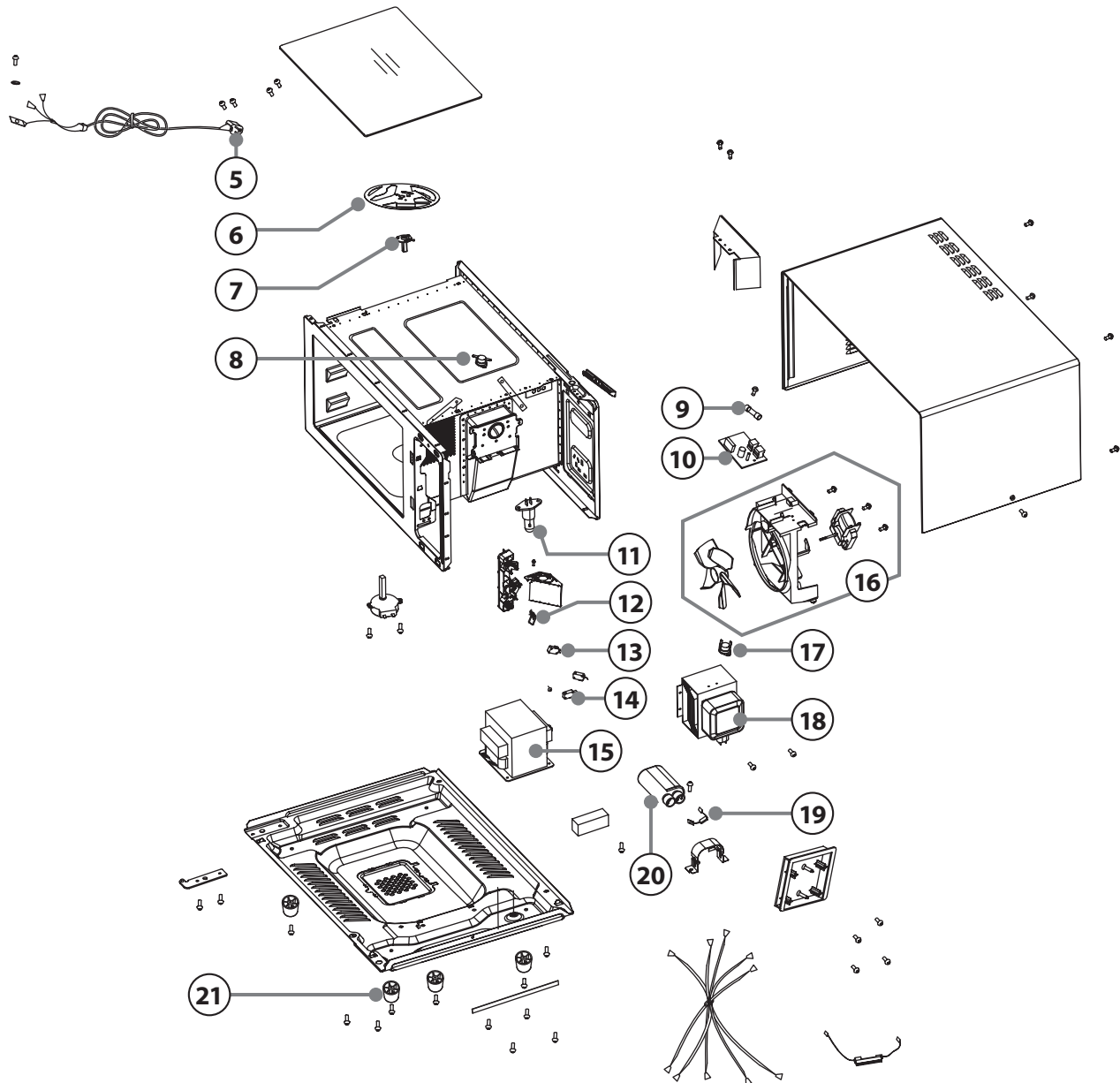
Exploded View & Spare Parts List



NO.	DESCRIPTION	PART #	QTY
1	Door Assembly	EMWT-P1	1
2	Handle	EMWT-P3	1
3	Control Panel Assembly	EMWT-P7	1
4	PCB Assembly	EMWT-P8	1
5	Power Cord Assembly	EMWT-P23	1
6	Fan Stirrer	EMWT-P43	1
7	Shaft Stirrer	EMWT-P40	1
8	Thermostat 110/70	EMWT-P22	1
9	Fuse	EMWT-P20	1
10	Noise Filter	EMWT-P19	1
11	Lamp	EMWT-P21	1
12	Lever Switch	EMWT-P26	1
13	Micro Switch Monitor	EMWT-P28	1
14	Micro Switch Interlock	EMWT-P27	2
15	H.V. Transformer	EMWT-P16	1
16	Fan Assembly	EMWT-P41	1
17	Thermostat 160/95	EMWT-P24	1
18	Magnetron	EMWT-P15	1
19	H.V. Diode	EMWT-P18	1
20	H.V. Capacitor	EMWT-P17	1
21	Leg	EMWT-P13	4

Exploded View & Spare Parts List

COMPONENTS



Care & Cleaning Instructions

WARNING

TO AVOID ELECTRICAL SHOCK, WHICH CAN CAUSE SEVERE PERSONAL INJURY OR DEATH, UNPLUG POWER CORD OR OPEN CIRCUIT BREAKER TO OVEN BEFORE CLEANING OR REMOVING LIGHTBULB. DO NOT POWER SPRAY, AND DO NOT USE METAL PANS.

Interior, Exterior, and Door

Clean microwave oven with mild detergent in warm water using a soft sponge or cloth. Wring sponge or cloth to remove excess water before wiping equipment. If desired, boil a cup of water in the microwave oven to loosen and dislodge any debris or residue prior to cleaning.

IMPORTANT

- DO NOT use abrasive cleansers or cleaners containing ammonia or citrus. These can damage the finish.
- NEVER pour water into microwave oven bottom.
- DO NOT use water pressure type cleaning systems.

Discharge Air Vents

Check monthly for buildup of cooking vapors along intake and discharge louvers on bottom and back of oven. Clean air vents with damp cloth to ensure proper airflow. Dry thoroughly.

Control Panel

Open oven door to deactivate oven timer. Clean with mild detergent in warm water using soft sponge or cloth.

Service and Repair

There are no user serviceable parts within this appliance. To avoid serious injury or damage, never attempt to repair the unit or replace a damaged power cord yourself.

inquiries and sales must first go through our Warranty Service Department.

To initiate warranty service contact: EquipService@winco.com or call: 973-295-3996

DO NOT send unit to WINCO without first contacting our customer service department.

See "Limited Warranty" section on page 15 for details.

Troubleshooting

Warning: To avoid electrical shock, which can cause severe personal injury or death, do not remove the outer case at any time. Only an authorized SPECTRUM servicer should conduct repairs. **Unauthorized repair will void your warranty.**

ISSUE	MIGHT BE CAUSED BY	RECOMMENDED SOLUTION
Oven will not start	Electrical cord for oven is not plugged in	Plug cord into outlet correctly
	Door is open	Close the door and try again
	Wrong operation is set	Check instructions
	Fuse blown or circuit breaker is open	Replace fuse (should be repaired by authorized servicer) or reset breaker
	Malfunctioning outlet	Test outlet with other electrical appliances
Arcing or sparking	Materials to be avoided in microwave oven were used	Use microwave-safe cookware only
	The oven is operated when empty	DO NOT operate with cavity empty
	Spilled food remains in the cavity	Clean cavity with a wet towel
Dim oven light	Cooking at low power level	This is normal
Steam forms on oven door	When cooking foods in a microwave, steam is generated	This is normal
Hot air expelled from vents	Food cooking in a microwave may release heat	This is normal
Unevenly cooked foods	Materials to be avoided in microwave oven were used	Use microwave-safe cookware only
	Food is not defrosted completely	Completely defrost food prior to using oven
	Cooking time, power level, are not suitable	Use correct cooking time and power level
	Food is not turned or stirred	Turn or stir food. Follow food distributor's instructions if necessary
Overcooked foods	Cooking time, power level, are not suitable	Use correct cooking time and power level
Undercooked foods	Materials to be avoided in microwave oven were used	Use microwave-safe cookware only
	Food is not defrosted completely	Completely defrost food prior to using oven
	Oven ventilation ports are restricted	Check to see that oven ventilation ports are not restricted
	Cooking time, power level, are not suitable	Use correct cooking time and power level
Improper defrosting	Materials to be avoided in microwave oven were used	Use microwave-safe cookware only
	Cooking time, power level, are not suitable	Use correct cooking time and power level
	Food is not turned or stirred	Turn or stir food. Follow food distributor's instructions if necessary
Fan continues after food is done and door open	Unit keeps fan on to cool the electronics	This is normal

Limited Warranty

WINCO® warrants to the original purchaser of new equipment that said equipment, when installed in accordance with our instructions within North America and subjected to normal use, is free from defects in material or workmanship for a period of 1 year. The labor warranty is one year from original purchase date or 18 months from actual factory shipment date, whichever date occurs first.

THIS WARRANTY IS IN LIEU OF ALL OTHER WARRANTIES, WHETHER EXPRESSED OR IMPLIED. WINCO EXPRESSLY DISCLAIMS ANY IMPLIED WARRANTY OF MERCHANTABILITY OR EXPRESSED OR IMPLIED WARRANTY OF FITNESS FOR A PARTICULAR PURPOSE.

WINCO'S OBLIGATION AND LIABILITY UNDER THIS WARRANTY IS EXPRESSLY LIMITED TO REPAIRING AND REPLACING EQUIPMENT THAT PROVES TO BE DEFECTIVE IN MATERIAL OR WORKMANSHIP WITHIN THE APPLICABLE WARRANTY PERIOD.

IN NO EVENT SHALL WINCO BE LIABLE FOR INCIDENTAL OR CONSEQUENTIAL DAMAGES TO BUYER OR ANY THIRD PARTY, INCLUDING, WITHOUT LIMITATION, LOSS OF PROPERTY, PERSONAL INJURY, LOSS OF BUSINESS OR PROFITS OR OTHER ECONOMIC LOSSES, OR STATUTORY OR EXEMPLARY DAMAGES, WHETHER IN NEGLIGENCE, WARRANTY, STRICT LIABILITY, OR OTHERWISE.

This warranty is given only to the first purchaser from a retail dealer. No warranty is given to subsequent transferees.

Warranty does not cover product failures caused by: failure to maintain, neglect, abuse, damage due to excess water, fire, normal wear, improper set up and use. Periodic maintenance is not covered.

This warranty is not in force until such time as a properly completed and digitally signed Installation/Warranty Registration has been received by WINCO within 30 days from the date of installation.

WARRANTY SERVICE

To initiate warranty service contact: **EquipService@wincous.com** or call: 973-295-3996

DO NOT send unit to WINCO® without first contacting our customer service department.

Please provide or have the following information available:

- Model & Serial Number (located on the silver identification tag, on side or rear of unit)
- Date of Purchase
- Purchase Dealer
- Operator / Installation Contact Information
- Business Name & Business Address
- Contact Name & Contact Telephone Number

REGISTER ONLINE AT: <http://www.wincous.com>

Proof of purchase is required to extend warranty more than 1 year from date of shipment from the factory.

THE FOREGOING WARRANTY PROVISIONS ARE A COMPLETE AND EXCLUSIVE STATEMENT BETWEEN THE BUYER AND SELLER. WINCO® NEITHER ASSUMES NOR AUTHORIZES ANY PERSONS TO ASSUME FOR IT ANY OTHER OBLIGATION OR LIABILITY IN CONNECTION WITH SAID EQUIPMENT.

Examples of items not covered under warranty, but not limited to just these items:

1. Natural disasters (ie: earthquakes, tornadoes, hurricanes, etc.), fire, water damage, burglary, accident, theft.
2. Freight damage.
3. Improper installation or alteration of equipment.
4. Use of generic or after-market parts.
5. Repairs made by anyone other than a WINCO® designated service provider.
6. Lubrication.
7. Expendable wear parts, adjustable feet, blown fuses, lamps, etc.
8. Normal product maintenance.
9. Misuse or abuse.
10. Normal wear and tear items such as light bulbs, fuses, and exterior finishes.

Warranty voided if:

1. Product is altered by user
2. Serial number plate is removed
3. Product is installed in a prison or any correctional facility.

winco
SPECTRUM



Model: EMW-1000ST

www.wincous.com