

COMMERCIAL STAINLESS STEEL DIAL CONTROL MICROWAVE

Operating Instruction Manual

Visit www.wincous.com for manuals in English & Spanish
 Visite www.wincous.com para ver manuales en inglés y español.



EMW-1000SD



For California Customers
WARNING: Cancer and Reproductive Harm -
www.P65Warnings.ca.gov

Model	Voltage ~ Hz	Input Power (W)	Output Power (W)	Amps	Oven Capacity	Plug Type	Overall Dimensions			Weight
							Width	Depth	Height	
EMW-1000SD	120V ~ 60Hz	1450 W	1000 W	12A	0.9 Ft ³	NEMA 5-15P	20-1/2" (521mm)	17-15/16" (455mm)	12-5/16" (312mm)	38 Lbs (17.2kg)

BEFORE OPERATING ANY EQUIPMENT, READ AND FAMILIARIZE YOURSELF WITH THESE USE AND SAFETY INSTRUCTIONS

*Congratulations on your purchase of this SPECTRUM commercial equipment. When used as intended, and with proper care and maintenance, you are sure to experience years of reliable operation from this equipment. To ensure best results, it is important that you read and follow the instructions in this manual carefully. **It is important to keep these instructions in a safe place for future reference.***

Dial Control Microwave

Important For Future Reference

PLEASE COMPLETE THIS INFORMATION AND RETAIN THIS MANUAL FOR THE LIFE OF THE EQUIPMENT. FOR WARRANTY SERVICE AND/OR PARTS, THIS INFORMATION IS REQUIRED.

EMW-1000SD

MODEL NUMBER

SERIAL NUMBER

DATE PURCHASED



WARNING: IMPROPER INSTALLATION, ADJUSTMENT, ALTERATION, SERVICE OR MAINTENANCE CAN CAUSE PROPERTY DAMAGE, INJURY, OR DEATH. READ THE INSTALLATION, OPERATION, AND MAINTENANCE INSTRUCTIONS THOROUGHLY BEFORE INSTALLING OR SERVICING THIS EQUIPMENT.

AVERTISSEMENT: TOUTE INSTALLATION, RÉGLAGE, MODIFICATION, RÉPARATION OU ENTRETIEN INCORRECT PEUT OCCASIONNER DES DOMMAGES MATÉRIELS, DES BLESSURES GRAVES OU LA MORT. LIRE LES INTRUCTIONS D'INSTALLATION, D'UTILISATION ET D'ENTRETIEN ATTENTIVEMENT AVANT D'INSTALLER OU DE RÉPARER CET APPAREIL.



CAUTION: THESE MODELS ARE DESIGNED, BUILT, AND SOLD FOR COMMERCIAL USE ONLY. IF THESE MODELS ARE POSITIONED SO THE GENERAL PUBLIC CAN USE THE EQUIPMENT, MAKE SURE THAT CAUTION SIGNS, WARNINGS, AND OPERATING INSTRUCTIONS ARE CLEARLY POSTED NEAR EACH UNIT SO THAT ANYONE USING THE EQUIPMENT WILL USE IT CORRECTLY AND NOT INJURE THEMSELVES OR HARM THE EQUIPMENT.

ATTENTION: CES MODÈLES SONT CONÇUS, FABRIQUÉS, ET VENDUS POUR UN USAGE COMMERCIAL SEULEMENT. SI CES MODÈLES SONT PLACÉS POUR QUE LE GRAND PUBLIC PUISSE LES UTILISER, ASSUREZ-VOUS QUE LES CONSIGNES D'ATTENTION, D'AVERTISSEMENT, ET LES INSTRUCTIONS D'UTILISATION SOIENT CLAIREMENT AFFICHÉES PRÈS DE CHAQUE UNITÉ DE SORTE QUE N'IMPORTE QUEL UTILISATEUR DE L'APPAREIL L'EMPLOIE CORRECTEMENT ET NE SE BLESSE PAS OU N'ENDOMMAGE PAS L'APPAREIL.



WARNING: A FACTORY AUTHORIZED SERVICE PROVIDER SHOULD HANDLE ALL MAINTENANCE AND REPAIR. BEFORE DOING ANY MAINTENANCE OR REPAIR, FOLLOW SERVICE SET UP ARRANGEMENT ON PAGE 11.

AVERTISSEMENT: UN TECHNICIEN AUTORISÉ PAR L'USINE DEVRA EFFECTUER TOUT L'ENTRETIEN ET LES RÉPARATIONS. AVANT DE FAIRE TOUT ENTRETIEN OU RÉPARATION, VEUILLEZ CONTACTER WINCO.



Introduction

Congratulations on the purchase of your SPECTRUM™ Commercial Equipment. Please take time to carefully read through this manual to ensure the machine is operated and maintained properly, to ensure the best possible performance from the product for many years.

SPECTRUM will not accept liability for the following if:

- The instructions in this manual have not been followed correctly.
- Non-authorized personnel have tampered with the machine.
- Non-original spare parts are used.
- The machine has not been handled and cleaned correctly.
- There is any use damage to the unit.

Immediately Inspect for Shipping Damage

All containers should be examined for damage before and during unloading. The freight carrier has assumed responsibility for its safe transit and delivery. If equipment is received damaged, either apparent or concealed, a claim must be made with the delivering carrier.

- A. Apparent damage or loss must be noted on the freight bill at the time of delivery. It must then be signed by the carrier representative (Driver). If this is not done, the carrier may refuse the claim. The carrier can supply the necessary forms.
- B. If concealed damage or loss is not apparent until after equipment is uncrated, a request for inspection must be made to the carrier within 15 days. The carrier should arrange an inspection. Be certain to keep all contents and packaging material.

Dial Control Microwave

Table of Contents

Specifications	1
Warnings	2
Introduction	2
Package Contents	3
Important Safety Instructions	4
Precautions, Additional Warnings	5-6
Safety	6
Installation	7
Operation	7
Microwave Cooking.....	8
Cleaning Instructions	8
Service & Repair	8
Troubleshooting	9
Exploded views & Parts List	10-11
Limited Warranty	12

Package Contents

All units come with an Operating Instruction Manual and the following:

- (1) EMW-1000SD unit
- (1) Operating Instruction Manual

SPECTRUM prides itself on quality and service, ensuring that at the time of packing, all products are supplied fully functional and free of damage. Should you find any damage as a result of freight, please contact your SPECTRUM dealer immediately.

Installation and start-up must be performed by a qualified installer who has thoroughly read, understands and follows these instructions.

PLEASE KEEP THIS MANUAL IN A SAFE PLACE FOR FUTURE USE!

NOTE

Please remember that this manual and the warning labels do not replace the need to be alert, to properly train and supervise operators, and to use common sense when using this equipment.

Unpacking the Equipment

DISPOSE OF ALL PACKAGING MATERIALS IN AN ENVIRONMENTALLY RESPONSIBLE MANNER.

1. Remove all packing materials and tape, as well as any protective plastic and cardboard, from the unit.
2. Clean any glue residue left over from the plastic or tape.
3. Place the unit in the desired position and height.

IMPORTANT SAFETY INSTRUCTIONS


When using electrical appliances basic safety precautions should be followed, including the following:

WARNING

TO REDUCE THE RISK OF BURNS, ELECTRIC SHOCK, FIRE, INJURY TO PERSONS, OR EXPOSURE TO EXCESSIVE MICROWAVE ENERGY:

1. Read this manual thoroughly before installation and operation. DO NOT proceed with installation and operation if you have any questions or do not understand anything in this manual. Contact your representative or the manufacturer first.
2. Read and follow the specific "PRECAUTIONS TO AVOID POSSIBLE EXPOSURE TO EXCESSIVE MICROWAVE ENERGY" section on page 5.
3. This equipment must be GROUNDED. Connect only to properly GROUNDED outlet. See "GROUNDING INSTRUCTIONS" on page 7 for further details.
4. Install or locate this equipment only in accordance with the installation instructions in this manual.
5. DO NOT heat items susceptible to explosion in the microwave. These include, but are not limited to: eggs, sealed containers, glass jars, etc.
6. Use this equipment properly and only for its intended use as described within this manual. DO NOT use corrosive chemicals or vapors in this equipment. This type of oven is specifically designed to heat, cook, or dry food. It is NOT designed for industrial or laboratory use.
7. Inspect the product closely upon un-boxing. DO NOT operate this equipment if it has a damaged door, cord, or plug, if it is not working properly, or if it has been damaged or dropped.
8. DO NOT cover or block filter or other openings on this equipment.
9. DO NOT store or use this equipment outdoors.
10. DO NOT store or use this product near or in water. Never immerse the cord and / or plug in water.

11. Keep the cord away from heated surfaces.
12. DO NOT allow the cord to hang over the edge of a table or counter.
13. DO NOT overcook food as to avoid fire in the oven cavity.
14. If materials inside the oven ignite, keep the oven door CLOSED, turn the unit off, and disconnect the power cord or shut off power at the fuse or circuit breaker panel.
15. DO NOT store items in the cavity. DO NOT operate the oven without load or food in the cavity.

WARNING ⚠️ AVERTISSEMENT	
	<p>Fire Hazard. Correct installation precautions, procedures and regulations must be followed. Operation and safety training is necessary for all users of this equipment.</p>
	<p>Risque d'incendie La surchauffe des vapeurs d'huile ou de l'huile peut s'enflammer et provoquer un incendie. Surveillez la température, la qualité et le niveau d'huile. Utilisez et entretenez le système d'élimination des vapeurs d'huile.</p>

16. To reduce the risk of fire in oven cavity:
 - a. Carefully attend to appliance, do not overcook food.
 - b. NEVER use paper, plastic, or combustible materials inside the oven to facilitate cooking.
17. After heating, allow the container to stand in the microwave oven for a short time before removing the container.
18. Clean the oven regularly and remove any food deposits. Closely follow the door cleaning instructions in the manual.
19. As with any appliance, close supervision is necessary when operated by children.
20. Do not use an extension cord. If the power supply cord is too short, have a qualified electrician or serviceman install an outlet near the appliance. Consult a qualified electrician or serviceman if the grounding instructions are not completely understood, or if doubt exists as to whether the appliance is properly grounded.
21. Clean the oven regularly and remove any food deposits. When cleaning surfaces of door and oven that comes together on closing the door, use only mild nonabrasive soaps, or detergents applied with a sponge or soft cloth.
22. As with any appliance, close supervision is necessary when operated by children.

WARNING ⚠️ AVERTISSEMENT	
	<p>Electrical Shock Hazard Keep water and other liquids from entering the inside of the unit. Liquid inside the unit could cause an electrical shock.</p>
	<p>Risque de choc électrique Conserver l'eau et d'autres liquides de pénétrer à l'intérieur de l'appareil. Liquide à l'intérieur de l'appareil pourrait provoquer un choc électrique.</p>
<p>Do not spray water or cleaning products. Liquid could contact the electrical components and cause a short circuit or an electrical shock. Do not use unit if power cord is damaged or has been modified.</p>	<p>Ne pas pulvériser de l'eau ou des produits de nettoyage. Le liquide pourrait contacter avec les composants électriques et causer un court-circuit ou un choc électrique. Ne pas utiliser l'appareil si le cordon d'alimentation est endommagé, ou a été modifié.</p>

PRECAUTIONS - AVOID POSSIBLE EXPOSURE TO EXCESSIVE MICROWAVE ENERGY

1. **DO NOT** attempt to operate this microwave oven with its door open, since open door operation can result in harmful and dangerous exposure to microwave energy. It is important not to defeat or tamper with the safety interlocks.
2. **DO NOT** place any object between the front face of the oven and its door, or allow debris or residue to accumulate on sealing surfaces.
3. **DO NOT** operate the oven if it is damaged. It is especially important that the oven door closes properly and completely, and that there is no damage to the:
 - a. Door (bent)
 - b. Hinges and latches (broken or loose)
 - c. Door seals and sealing surfaces
4. The oven should **NOT** be adjusted or repaired by anyone except properly-qualified service personnel.

Radio Interference

Microwave operation may cause interference to radio, television, or a similar oven. Reduce or eliminate interference by doing the following:

1. Clean door and sealing surfaces of oven according to instructions in Care and Cleaning section.
2. Place radio, television, etc. as far as possible from oven.
3. Use a properly installed antenna on radio, television, etc., to obtain a stronger signal reception.

Cooking Containers

Tightly-closed containers could explode. Closed containers should be opened and plastic pouches should be pierced before cooking.

There may be certain non-metallic containers that are not safe to use for microwaving. If in doubt, you can test the containers in question following the procedure below.

Utensil Test:

1. Fill a microwave-safe container with 1 cup of cold water (250ml) along with the utensil in question.
2. Cook on maximum power for 1 minute.
3. Carefully feel the container. If the empty utensil is warm, do not use it for microwave cooking.
4. Do not exceed 1 minute cooking time.

Materials to Avoid

- Aluminum tray
- Food containers with metal handle or metal trimmed utensils
- Metal twist ties
- Paper bags
- Plastic foam
- Wood


Additional Warnings

To avoid personal injury or property damage, observe the following:

1. DO NOT attempt to deep fat fry in the oven. Fat can overheat and be extremely hazardous to handle.
2. DO NOT cook or reheat eggs in shell or with an unbroken yolk using microwave energy. Doing so may build up pressure and cause the egg to erupt. Pierce the yolk with a fork or knife before cooking.
3. Pierce the skin of potatoes, tomatoes, and similar foods before cooking with microwave energy. When the skin is pierced, steam escapes evenly.
4. DO NOT operate equipment without load or food in oven cavity.
5. Use only popcorn in packages designated for microwave use. **Popping time varies based on oven wattage.** DO NOT continue to heat after popping has stopped: popcorn will scorch or burn. DO NOT leave oven unattended.
6. DO NOT use regular cooking thermometers in oven. Most cooking thermometers contain mercury and will cause an electrical arc, malfunction, or damage to the oven.
7. DO NOT use metal utensils in the oven.
8. NEVER use paper, plastic, or other combustible materials that are not intended for cooking.
9. When cooking with paper, plastic, or other combustible materials, follow manufacturer's recommendations on product use.
10. DO NOT use paper towels that contain nylon or other synthetic fibers. Heated synthetics could melt and cause paper to ignite.
11. DO NOT heat sealed containers or plastic bags in oven. Food or liquid could expand quickly and cause container or bag to break. Pierce or open container or bag prior to heating.
12. To avoid pacemaker malfunction, consult physician or pacemaker manufacturer about effects of microwave energy on pacemaker.
13. Clean oven regularly and remove food deposits.
14. To avoid surface deterioration, keep oven in clean condition. Infrequent cleaning could adversely affect the life of the appliance and possibly result in a hazardous situation.

Warning: Liquids

Liquids such as water, coffee, or tea are able to be overheated beyond the boiling point without appearing to be boiling due to surface tension of the liquid. Visible bubbling or boiling when the container is removed from the microwave oven is not always present.

 HOT	WARNING	AVERTISSEMENT
	Burn Hazard. Liquids such as water, coffee, or tea are able to be overheated beyond the boiling point without appearing to be boiling due to surface tension of the liquid. <i>Please use extreme caution.</i>	Risque de brûlure. Liquides tels que l'eau, le café ou le thé peuvent être surchauffés au-delà du point d'ébullition sans sembler bouillir en raison de la tension de surface du liquide. <i>S'il vous plaît utiliser une extrême prudence.</i>

THIS COULD RESULT IN VERY HOT LIQUIDS SUDDENLY BOILING OVER WHEN A SPOON OR OTHER UTENSIL IS INSERTED INTO THE LIQUID.

To reduce the risk of injury to persons:

1. DO NOT overheat the liquid.
2. Stir the liquid both before and halfway through heating it.
3. DO NOT use straight-sided containers with narrow necks.
4. After heating, allow the container to stand in the microwave oven for a short time before removing the container.
5. Use extreme care when inserting a spoon or other utensil into the container.

Safety

A WINCO® Approved Service Technician should carry out repairs if necessary. DO NOT remove any components or service panels on this product.

If the power cord is damaged, it must be replaced by a WINCO Approved Service Technician in order to avoid a hazard.

SAVE THESE INSTRUCTIONS

Installation

Unpacking The Oven

1. Inspect oven for damage, including dents or cracks in the door or inside the oven cavity.
2. Remove all materials from oven interior.
3. Remove all plastic wrap and packaging material prior to use.
4. DO NOT install next to or above a source of heat (such as a pizza oven or deep fat fryer). This could cause microwave oven to operate improperly and could shorten the life of the electrical parts.
5. Install the oven on a level countertop surface.
6. Outlet should be located so that the plug is accessible when the oven is in place.

GROUNDING INSTRUCTIONS

WARNING: IMPROPER USE OF THE GROUNDING CAN RESULT IN A RISK OF ELECTRIC SHOCK

To avoid risk of electrical shock or death, this oven must be grounded. To avoid risk of electrical shock or death, do NOT alter the plug.

Grounding reduces the risk of electric shock by providing an escape wire for the electric current should an electrical short occurs. This oven is equipped with a cord having a ground wire with a grounding plug. The plug must be plugged into an outlet that is properly installed and grounded. DO NOT use an extension cord.

If the power supply cord is too short, have a qualified electrician or serviceman install an outlet near the appliance. Consult a qualified electrician or serviceman if the grounding instructions are not completely understood, or if doubt exists as to whether the appliance is properly grounded.



Radio Interference

Microwave operation may cause interference to radio, television, or a similar oven. Reduce or eliminate interference by doing the following:

1. Clean door and sealing surfaces of oven according to instructions in Care and Cleaning section.
2. Place radio, television, etc. as far as possible from oven.
3. Use a properly installed antenna on radio, television, etc., to obtain a stronger signal reception.

Operation

IMPORTANT

Prior to first operation or to calling for service, please read this section carefully. Operation of a commercial microwave differs from that of a conventional household microwave.

The control panel consists of two function operators. One is a timer knob, and the other is a power knob.

POWER / ACTION SELECTOR

Use this operator knob to choose a cooking power level. It is the first step to start a cooking session.

TIME KNOB

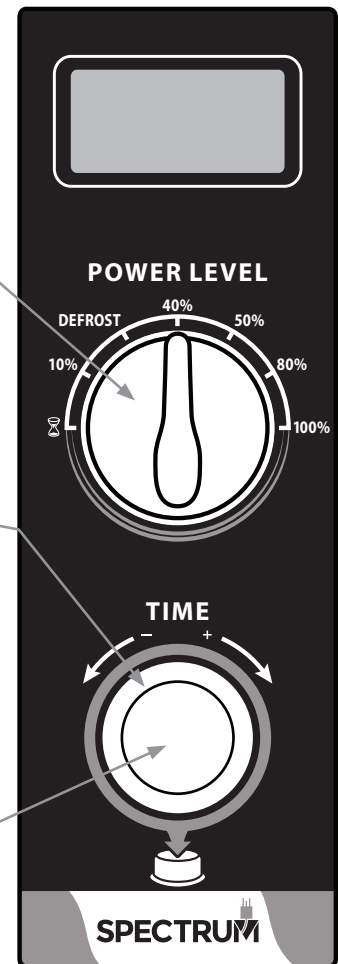
The time knob offers visual timing settings that correspond to the LED display. The user is able to rotate the time knob to select a desired cooking time of up to 60 minutes, in 10 second increments, per cooking session.

START

- Press the time knob to start or resume cooking.

STOP

- Open door, or
- Turn knob counter-clockwise until timer reads 00:00.



Microwave Cooking

For pure microwave cooking, there are 6 power levels from which to choose from. Power level increases as the knob is turned clockwise. The power levels can be classified as:

	POWER OUTPUT	DESCRIPTION
1	100%	High
2	80%	Medium-High
3	50%	Medium
4	40%	Medium-Low
5	30%	Defrost
6	10%	Low

To start a cooking session:

1. Place food in oven and close door.
2. Turn Power / Action Selector to desired power level. The LED display will update accordingly.
3. Turn the Time Knob to set a cooking time. The LED display will update accordingly, in 10 second increments.
4. Press in the Time Knob (activating the Start) to confirm.

NOTE

During cooking, you can turn the Power / Action Selector or the Time Knob to alter the power level and cooking time.



CAUTION

ALWAYS RETURN THE TIMER BACK TO ITS ORIGINAL ZERO POSITION IF FOOD IS REMOVED FROM THE OVEN BEFORE THE SET COOKING TIME IS COMPLETE OR WHEN THE OVEN IS NOT IN USE. TO STOP THE OVEN DURING THE COOKING PROCESS, OPEN THE DOOR BY THE HANDLE.

Care & Cleaning Instructions

WARNING

TO AVOID ELECTRICAL SHOCK, WHICH CAN CAUSE SEVERE PERSONAL INJURY OR DEATH, UNPLUG POWER CORD OR OPEN CIRCUIT BREAKER TO OVEN BEFORE CLEANING OR REMOVING LIGHT BULB. DO NOT POWERSPRAY, AND DO NOT USE METAL PANS.

Interior, Exterior, and Door

Clean microwave oven with mild detergent in warm water using a soft sponge or cloth. Wring sponge or cloth to remove excess water before wiping equipment. If desired, boil a cup of water in the microwave oven to loosen and dislodge any debris or residue prior to cleaning.

IMPORTANT

- DO NOT use abrasive cleansers or cleaners containing ammonia or citrus. These can damage the finish.
- NEVER pour water into microwave oven bottom.
- DO NOT use water pressure type cleaning systems.

Discharge Air Vents

Check monthly for buildup of cooking vapors along intake and discharge louvers on bottom and back of oven. Clean air vents with damp cloth to ensure proper airflow. Dry thoroughly.

Control Panel

Open oven door to deactivate oven timer. Clean with mild detergent in warm water using soft sponge or cloth.

Service and Repair

There are no user-serviceable parts within this appliance. To avoid serious injury or damage, never attempt to repair the unit or replace a damaged power cord yourself.

Parts inquiries and sales must first go through our Warranty Service Department.

To initiate warranty service contact: equipservice@wincous.com or call: **973-295-3996**

DO NOT send unit to WINCO without first contacting our customer service department.

See "Limited Warranty" section on page 12 for details.

Troubleshooting

If your SPECTRUM Microwave does not operate, please check the following before placing a service call.

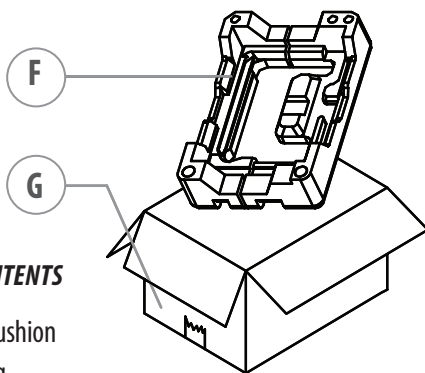
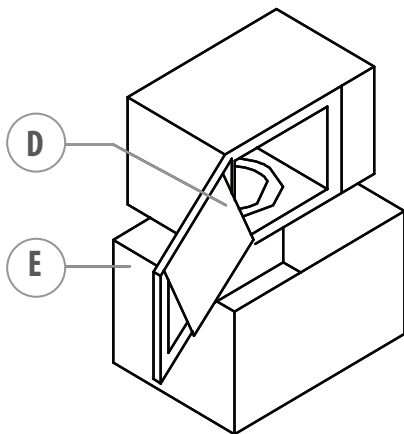
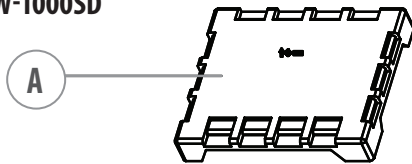


To avoid electrical shock, which can cause severe personal injury or death, DO NOT remove the outer case at any time. Only an authorized SPECTRUM service provider should conduct repairs. Unauthorized repair will void your warranty.

ISSUE	MIGHT BE CAUSED BY	RECOMMENDED SOLUTION
Oven will not start	Electrical cord for oven is not plugged in.	Plug cord into outlet correctly.
	Door is open.	Close the door and try again.
	Wrong operation is set.	Check instructions.
	Fuse blown or circuit breaker is open.	Replace fuse (should be repaired by authorized servicer) or reset breaker.
	Malfunctioning outlet.	Test outlet with other electrical appliances.
Arcing or sparking	Materials to be avoided in microwave oven were used.	Use microwave-safe cookware only.
	The oven is operated when empty.	DO NOT operate with cavity empty.
	Spilled food remains in the cavity.	Clean cavity with a wet towel.
Dim oven light	Cooking at low power level.	This is normal.
Steam forms on oven door	When cooking foods in a microwave, steam is generated.	This is normal.
Hot air expelled from vents	Food cooking in a microwave may release heat.	This is normal.
Unevenly cooked foods	Materials to be avoided in microwave oven were used.	Use microwave-safe cookware only.
	Food is not defrosted completely.	Completely defrost food prior to using oven.
	Cooking time, power level, are not suitable.	Use correct cooking time and power level.
	Food is not turned or stirred.	Turn or stir food. Follow food distributor's instructions if necessary.
Overcooked foods.	Cooking time, power level, are not suitable.	Use correct cooking time and power level.
Under cooked foods	Materials to be avoided in microwave oven were used.	Use microwave-safe cookware only.
	Food is not defrosted completely.	Completely defrost food prior to using oven.
	Oven ventilation ports are restricted.	Check to see that oven ventilation ports are not restricted.
	Cooking time, power level, are not suitable.	Use correct cooking time and power level.
Improper defrosting.	Materials to be avoided in microwave oven were used.	Use microwave-safe cookware only.
	Cooking time, power level, are not suitable.	Use correct cooking time and power level.
	Food is not turned or stirred.	Turn or stir food. Follow food distributor's instructions if necessary.
Fan continues after food is done and door open	Unit keeps fan on to cool the electronics	This is normal

Exploded View & Spare Parts List

MODEL: EMW-1000SD



PACKAGE CONTENTS

- Upper Foam Cushion
- A. Plastic Bag
- B. Instruction Manual
- C. Protective Film
- D. Plastic Cover
- E. Lower Foam Cushion
- F. Carton

NOTE

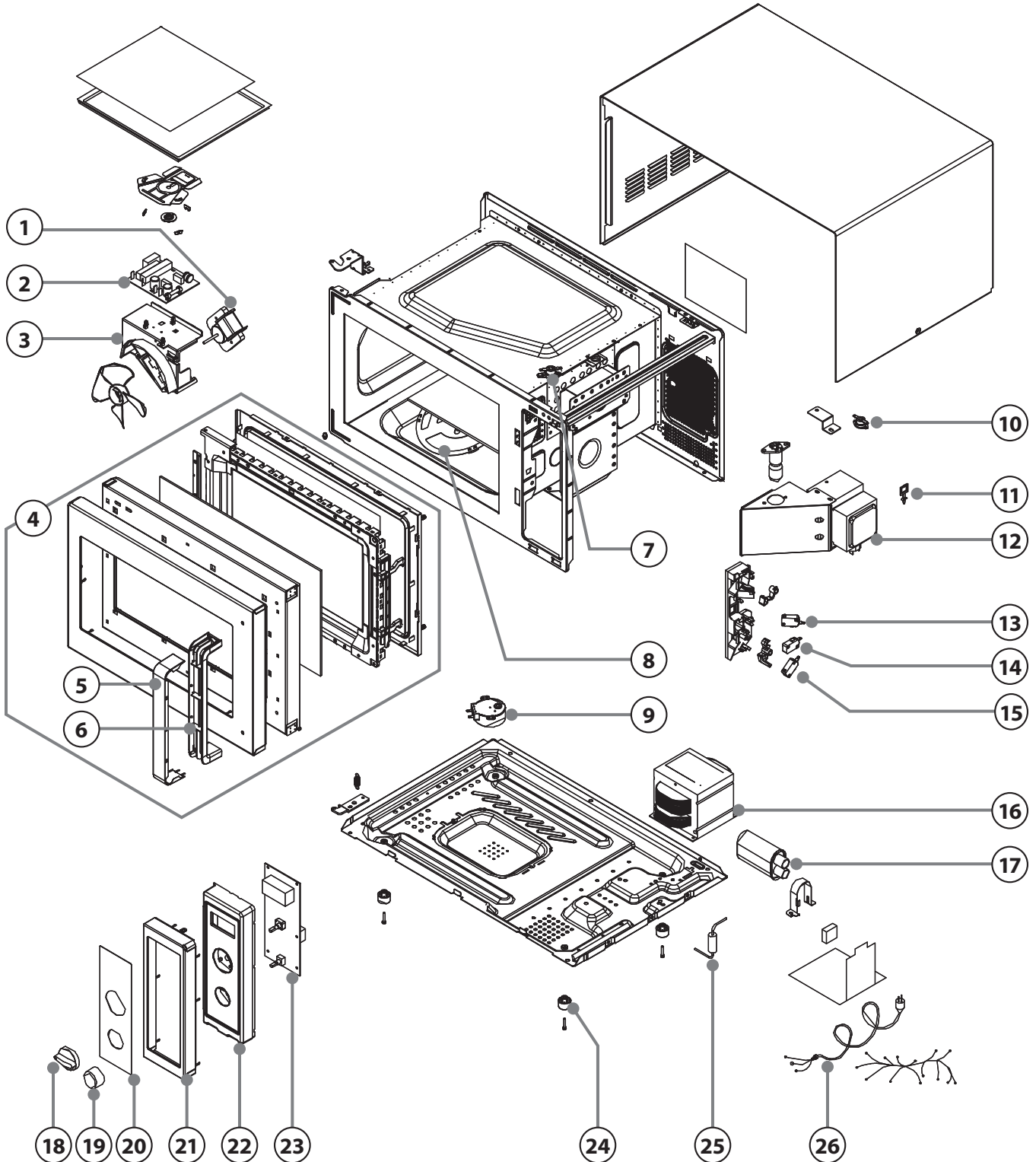
Please keep all packaging contents, in case of return or shipping.

NO.	DESCRIPTION	PART #	QTY
1	Fan Motor	EMWD-P15	1
2	Wave Filter	EMWD-P16	1
3	Fan Blade	EMWD-P18	1
4	Door Assembly	EMWD-P61	1
5	Handle Cover (Front)	EMWD-P24	1
6	Handle	EMWD-P25	1
7	Thermostat	EMWD-P5	1
8	Stirrer Assembly	EMWD-P60	1
9	Motor Traypulsator Electromotor	EMWD-P53	1
10	Thermostat 1	EMWD-P27	1
11	Lamp	EMWD-P29	1
12	Magnetron	EMWD-P30	1
13	Microswitch	EMWD-P34	1
14	Microswitch	EMWD-P35	1
15	Microswitch	EMWD-P36	1
16	Transformer	EMWD-P38	1
17	H.V. Capacitor	EMWD-P39	1
18	Power Knob	EMWD-P43	1
19	Time Knob	EMWD-P44	1
20	Film Patch	EMWD-P45	1
21	Board Shell	EMWD-P46	1
22	Face Board	EMWD-P47	1
23	P.C. Board	EMWD-P48	1
24	Foot	EMWD-P55	4
25	H.V. Diode	EMWD-P56	1
26	Power Cord	EMWD-P57	1

Please contact factory for special order parts not listed.

Exploded View & Spare Parts List

MODEL: EMW-1000SD



Limited Warranty

WINCO® warrants to the original purchaser of new equipment that said equipment, when installed in accordance with our instructions within North America and subjected to normal use, is free from defects in material or workmanship for a period of 1 year. The labor warranty is one year from original purchase date or 18 months from actual factory shipment date, whichever date occurs first.

THIS WARRANTY IS IN LIEU OF ALL OTHER WARRANTIES, WHETHER EXPRESSED OR IMPLIED. WINCO EXPRESSLY DISCLAIMS ANY IMPLIED WARRANTY OF MERCHANTABILITY OR EXPRESSED OR IMPLIED WARRANTY OF FITNESS FOR A PARTICULAR PURPOSE.

WINCO'S OBLIGATION AND LIABILITY UNDER THIS WARRANTY IS EXPRESSLY LIMITED TO REPAIRING AND REPLACING EQUIPMENT THAT PROVES TO BE DEFECTIVE IN MATERIAL OR WORKMANSHIP WITHIN THE APPLICABLE WARRANTY PERIOD.

IN NO EVENT SHALL WINCO BE LIABLE FOR INCIDENTAL OR CONSEQUENTIAL DAMAGES TO BUYER OR ANY THIRD PARTY, INCLUDING, WITHOUT LIMITATION, LOSS OF PROPERTY, PERSONAL INJURY, LOSS OF BUSINESS OR PROFITS OR OTHER ECONOMIC LOSSES, OR STATUTORY OR EXEMPLARY DAMAGES, WHETHER IN NEGLIGENCE, WARRANTY, STRICT LIABILITY, OR OTHERWISE.

This warranty is given only to the first purchaser from a retail dealer. No warranty is given to subsequent transferees.

Warranty does not cover product failures caused by: failure to maintain, neglect, abuse, damage due to excess water, fire, normal wear, improper set up and use. Periodic maintenance is not covered.

This warranty is not in force until such time as a properly completed and digitally signed Installation/Warranty Registration has been received by WINCO within 30 days from the date of installation.

WARRANTY SERVICE

To initiate warranty service contact:

EquipService@wincous.com or call: 973-295-3996

DO NOT send unit to WINCO® without first contacting our customer service department.

Please provide or have the following information available:

- Model & Serial Number (located on the silver identification tag, on side or rear of unit)
- Date of Purchase
- Purchase Dealer
- Operator / Installation Contact Information
- Business Name & Business Address
- Contact Name & Contact Telephone Number

REGISTER ONLINE AT: <http://www.wincous.com>

Proof of purchase is required to extend warranty more than 1 year from date of shipment from the factory.

THE FOREGOING WARRANTY PROVISIONS ARE A COMPLETE AND EXCLUSIVE STATEMENT BETWEEN THE BUYER AND SELLER. WINCO® NEITHER ASSUMES NOR AUTHORIZES ANY PERSONS TO ASSUME FOR IT ANY OTHER OBLIGATION OR LIABILITY IN CONNECTION WITH SAID EQUIPMENT.

Examples of items not covered under warranty, but not limited to just these items:

1. Natural disasters (ie: earthquakes, tornadoes, hurricanes, etc.), fire, water damage, burglary, accident, theft.
2. Freight damage.
3. Improper installation or alteration of equipment.
4. Use of generic or after-market parts.
5. Repairs made by anyone other than a WINCO® designated service provider.
6. Lubrication.
7. Expendable wear parts, adjustable feet, blown fuses, lamps, etc.
8. Normal product maintenance.
9. Misuse or abuse.
10. Normal wear and tear items such as light bulbs, fuses, and exterior finishes.

Warranty voided if:

1. Product is altered by user
2. Serial number plate is removed
3. Product is installed in a prison or any correctional facility.

PLEASE KEEP THIS MANUAL IN A SAFE PLACE FOR FUTURE USE!

Model: EMW-1000SD
www.wincous.com