



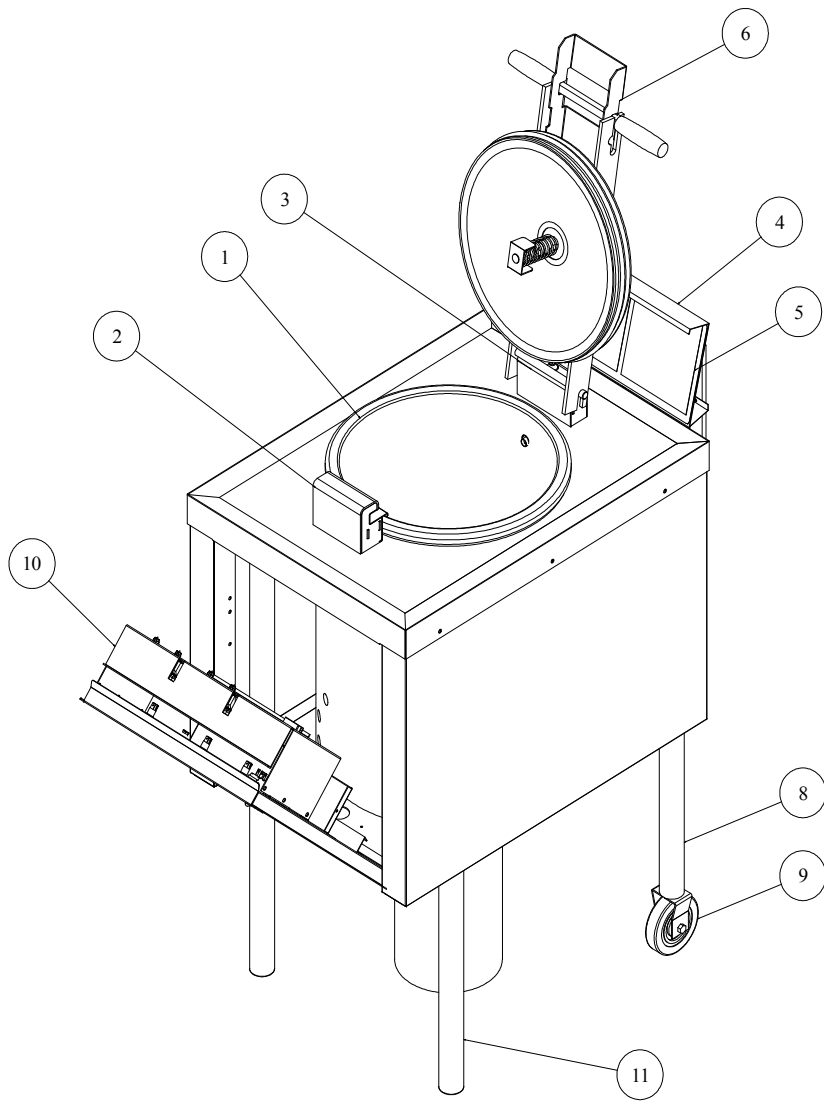
# "LP46 and LP56 Pressure Fryer

## Parts Identification Manual



# Table of Contents

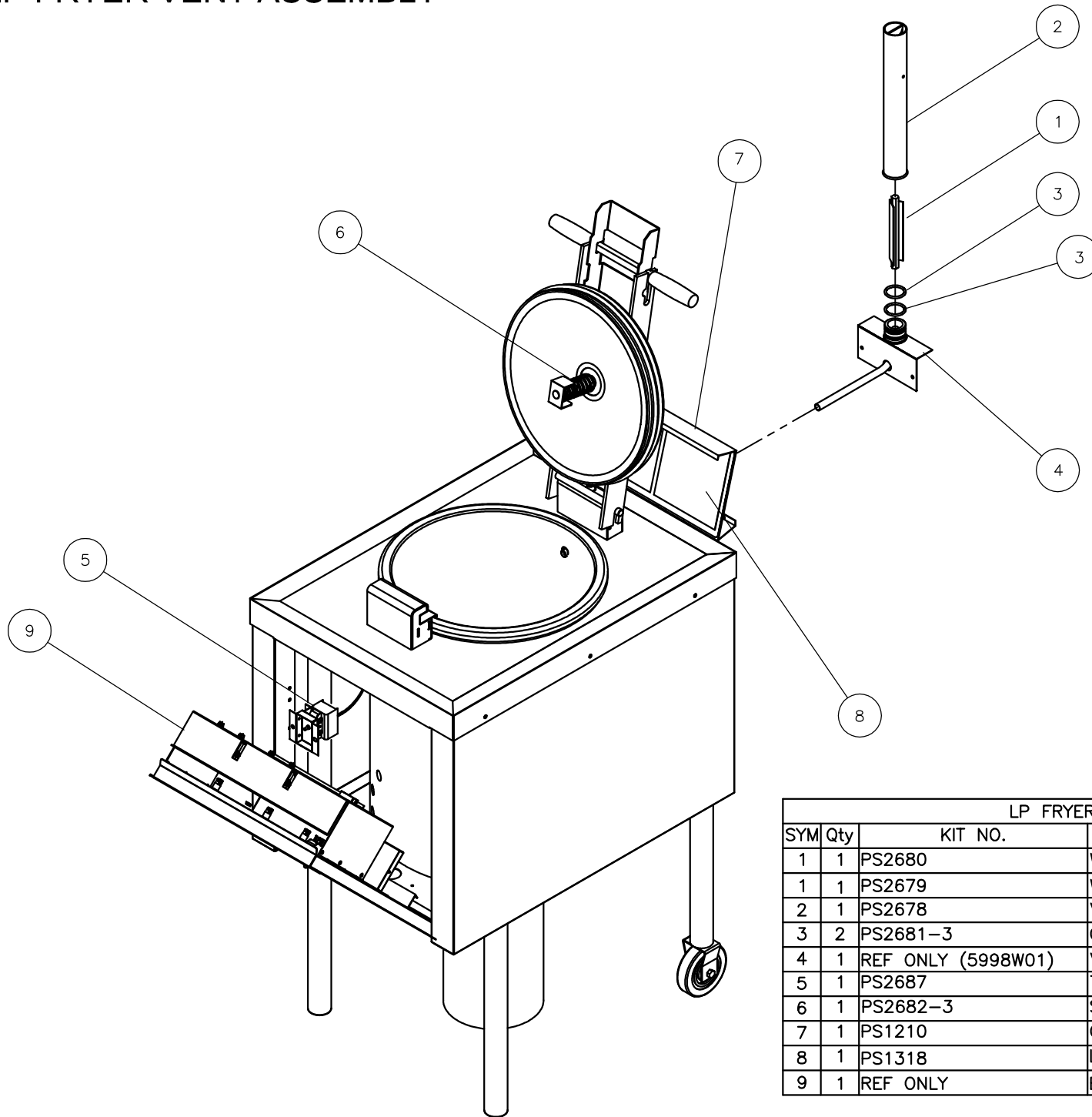
Main Assembly.....	page 1
Vent Assembly.....	page 2
PotAssembly.....	page 3
Lid Assembly.....	page 4
Escutcheon (front) Assembly.....	page 5
Relay Panel Assembly.....	page 6
Schematic – Delta Configuration.....	page 7
Schematic – Wye Configuration.....	page 8



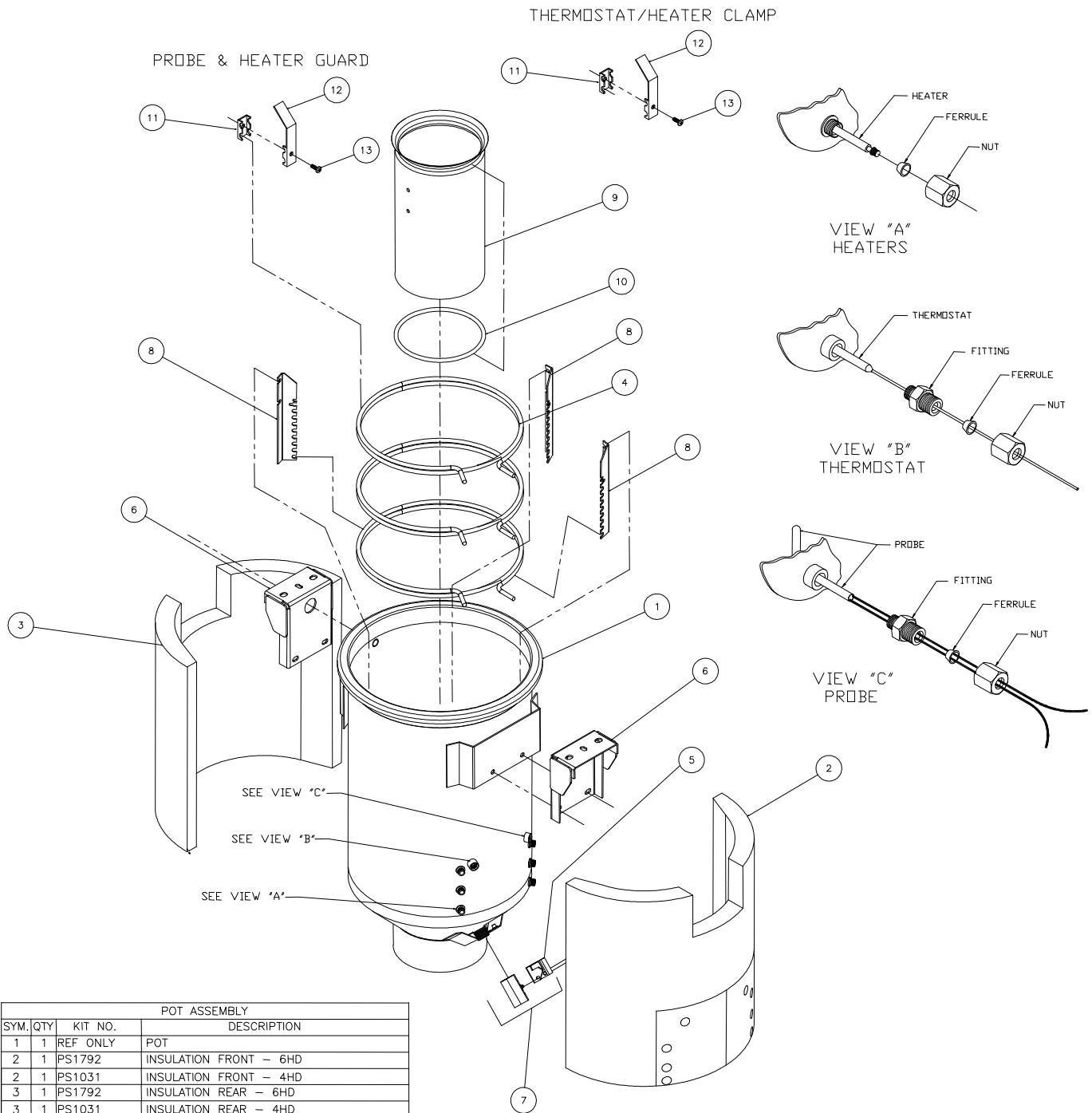
FRYER ASSEMBLY

SYM.	Qty	KIT NO.	DESCRIPTION
1	1	REF ONLY	POT ASSEMBLY
2	1	PS1399	BLOCK FRONT ASSEMBLY
3	1	PS1400	BLOCK REAR ASM
4	1	PS1210	BACKSPASH PANEL
5	2	PS1318	BACKSPASH LABEL
6	1	PS1459	LID ASSEMBLY
8	18	2 PS1934	LEG ASSEMBLY REAR
9	2	PS1226-2	WHEEL ASSEMBLY (QTY 2)
10	1	REF ONLY	ESCUTCHEON ASSEMBLY
11	1	PS1933	LEG ASSEMBLY FRONT

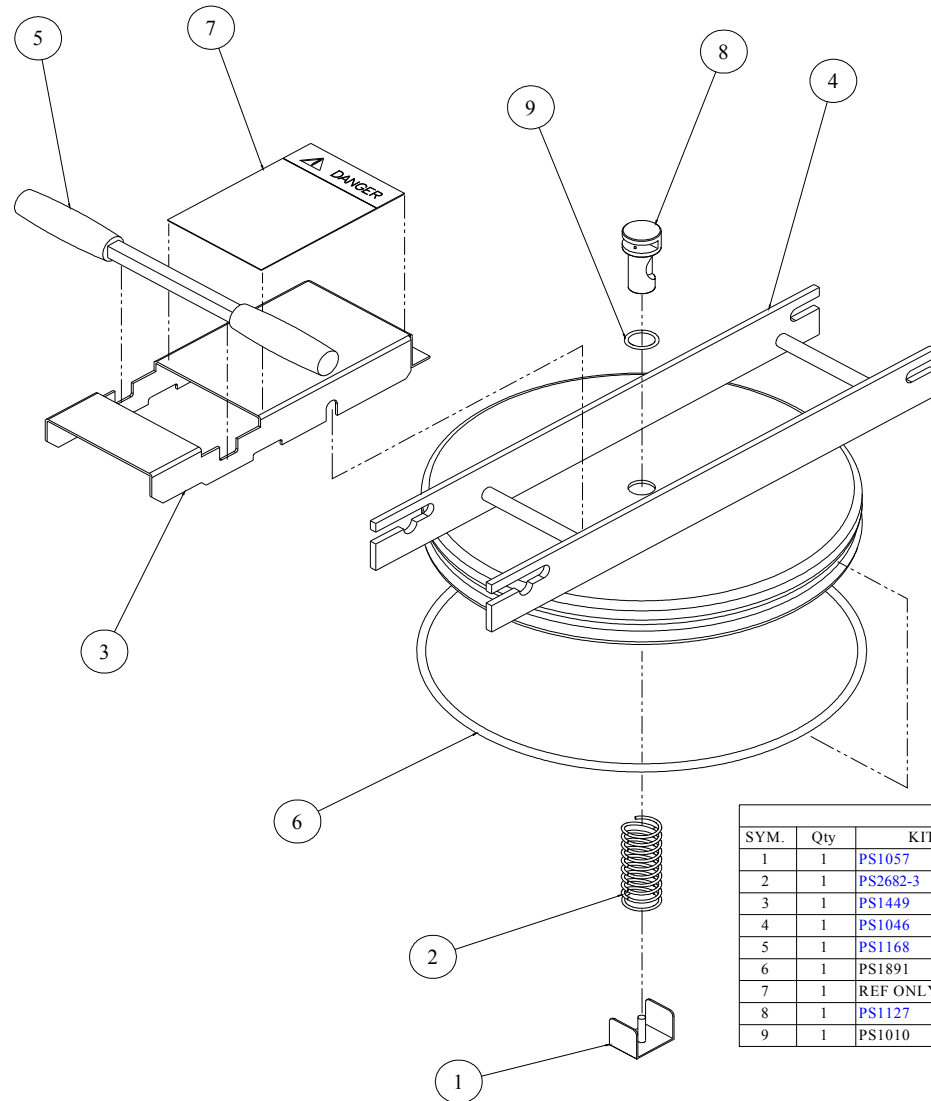
# LP FRYER VENT ASSEMBLY



LP FRYER VENT ASSEMBLY			
SYM	Qty	KIT NO.	DESCRIPTION
1	1	PS2680	WEIGHT - 6HD
1	1	PS2679	WEIGHT - 4HD
2	1	PS2678	VENT TUBE WELD VLP
3	2	PS2681-3	O-RING VENT
4	1	REF ONLY (5998W01)	VENT TUBE SUPPORT WELD VLP
5	1	PS2687	THERMOSTAT ASM HL
6	1	PS2682-3	SPRING
7	1	PS1210	OPERATOR INSTRUCTION PANEL
8	1	PS1318	LABEL OPERATOR INSTRUCTION PANEL
9	1	REF ONLY	ESCUTCHEON ASSEMBLY

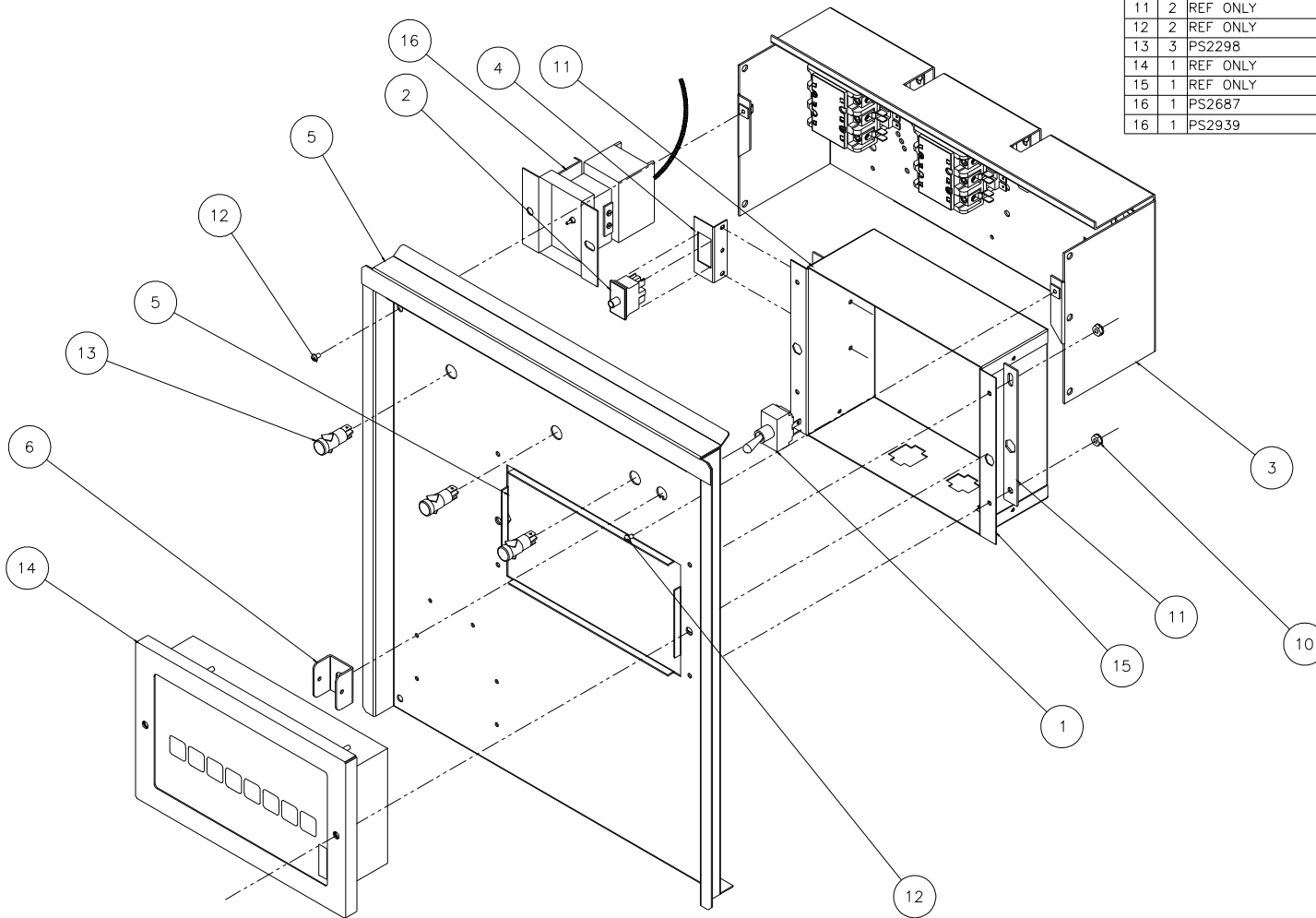


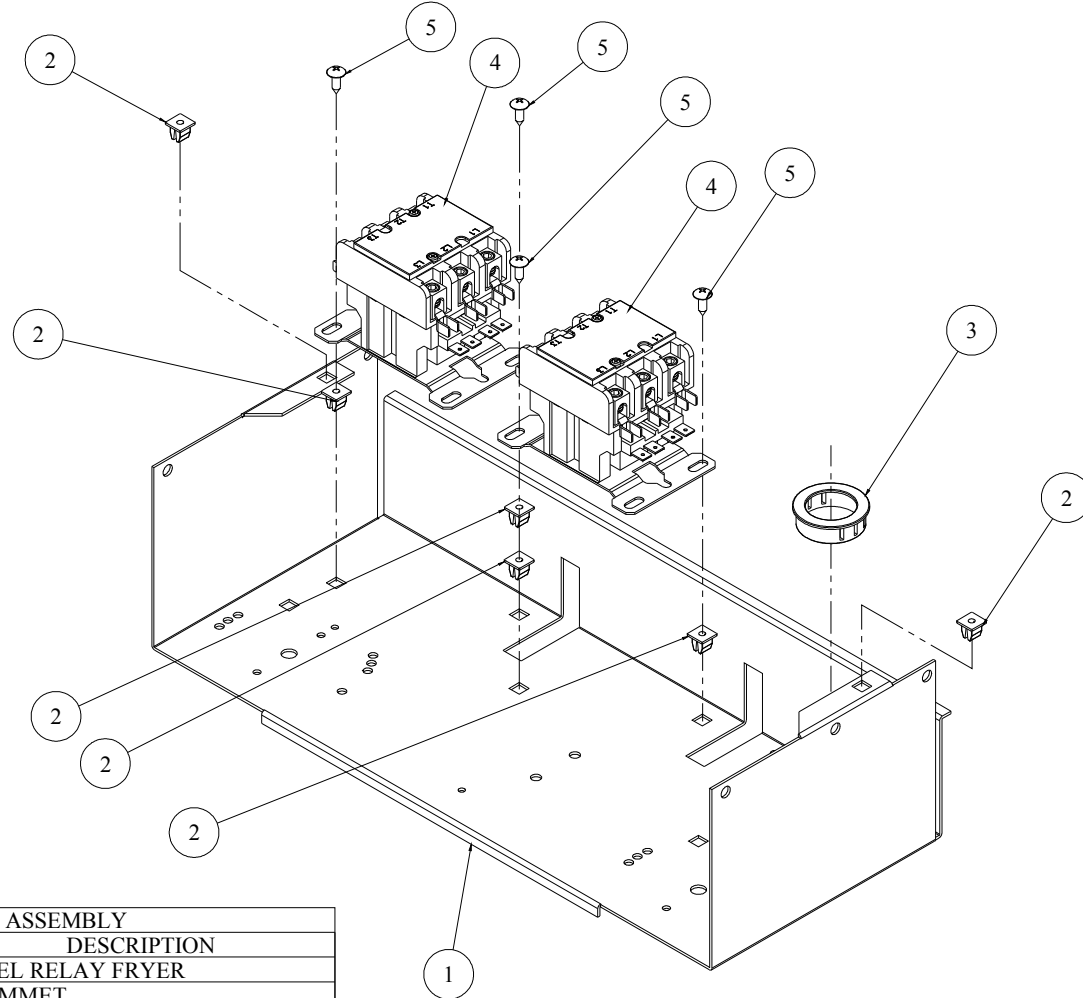
POT ASSEMBLY			
SYM.	QTY	KIT NO.	DESCRIPTION
1	1	REF ONLY	POT
2	1	PS1792	INSULATION FRONT - 6HD
2	1	PS1031	INSULATION FRONT - 4HD
3	1	PS1792	INSULATION REAR - 6HD
3	1	PS1031	INSULATION REAR - 4HD
4	3	PS1147	HEATER 3500W - 208V
4	3	PS1148	HEATER 3500W - 240V
4	3	PS2300	HEATER 3500W - 230V
5	1	PS1695	DRAIN VALVE HANDLE ASM
6	2	REF ONLY	BRACKET
7	1	PS1066	VALVE BALL 3/4"
8	3	PS1430	HOLDER HEATER
9	1	PS1207	COLLECTOR - AUSTRALIA
9	1	PS1206	COLLECTOR - ALL OTHERS
10	1	PS1892	GASKET COLLECTOR
11	1	PART OF #12	CLAMP PROBE
12	2	PS1744	SHEILD PROBE
13	1	REF ONLY	SCREW



LID ASSEMBLY			
SYM.	Qty	KIT NO.	DESCRIPTION
1	1	PS1057	RETAINER ASM
2	1	PS2682-3	SPRING
3	1	PS1449	LID LOCK
4	1	PS1046	LID BOTTOM LOCK ASM
5	1	PS1168	HANDLE
6	1	PS1891	LID GASKET
7	1	REF ONLY	LABEL LID LOCK "DANGER"
8	1	PS1127	LID VALVE
9	1	PS1010	LID VALVE O-RING

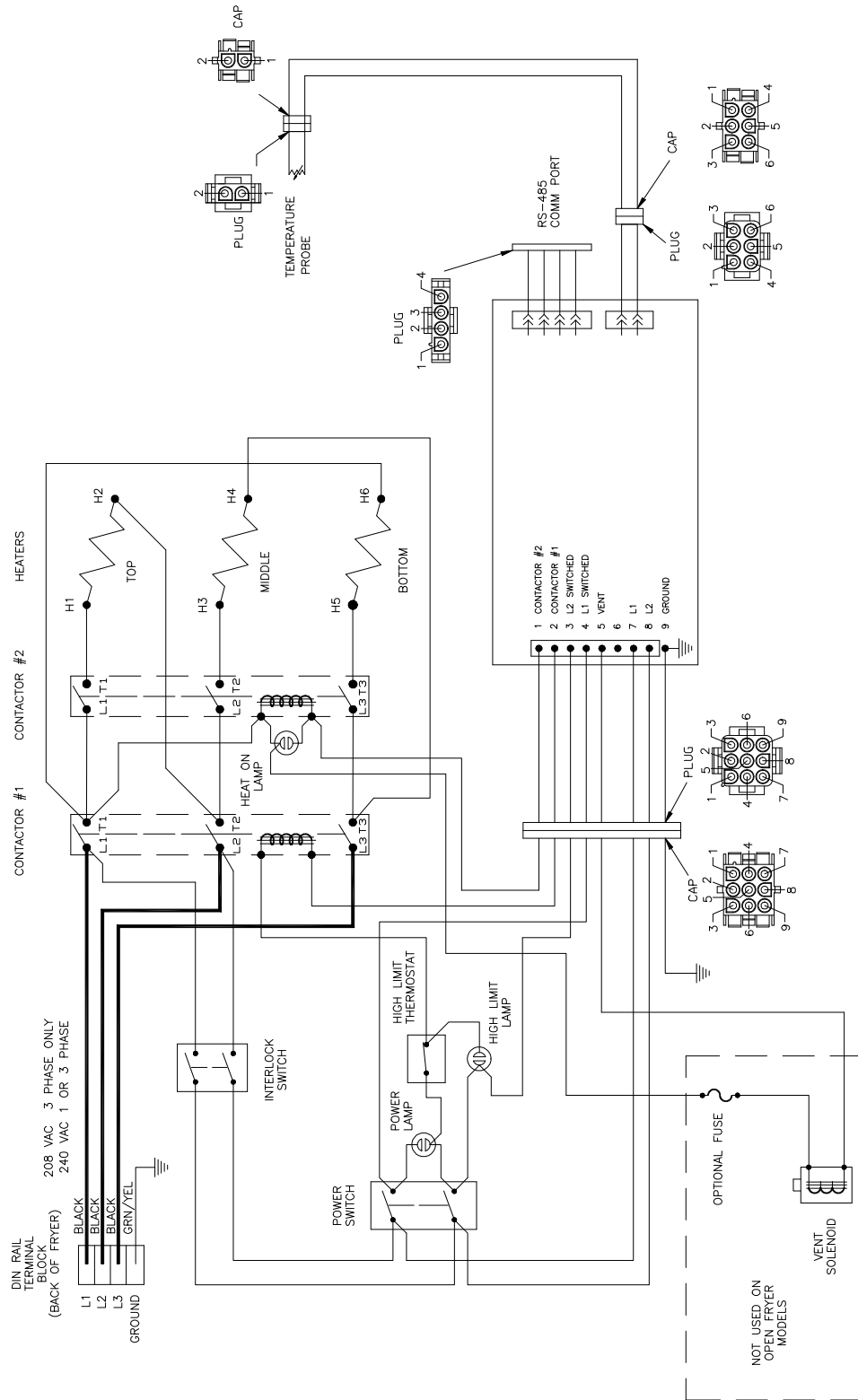
ESCUTCHEON ASSEMBLY		
SYM.	Qty	DESCRIPTION
1	1	PS1529 SWITCH POWER
2	1	PS2302 SWITCH POWER INTERLOCK
3	1	REF ONLY RELAY PANEL ASSEMBLY
4	1	REF ONLY BRACKET SWITCH
5	1	REF ONLY ESCUTCHEON
6	1	PS1086 GUARD SWITCH
10	4	REF ONLY NUT KEPS 8-32
11	2	REF ONLY RETAINER STRIP
12	2	REF ONLY SCREW 6-32x .313 RD HD PH
13	3	PS2298 LAMP NEON RED
14	1	REF ONLY CONTROL ASM
15	1	REF ONLY HOUSING CONTROLS
16	1	PS2687 THERMOSTAT HIGH LIMIT - USA
16	1	PS2939 THERMOSTAT HIGH LIMIT - ALL OTHERS





RELAY PANEL ASSEMBLY			
SYM	Qty	KIT NO.	DESCRIPTION
1	1	REF ONLY	PANEL RELAY FRYER
2	6	PS1271	GROMMET
3	1	REF ONLY	BUSHING PANEL 1.375
4	2	<a href="#">PS1007</a>	RELAY - US ONLY
	2	<a href="#">PS2299</a>	RELAY - ALL OTHERS
5	4	REF ONLY	SCREW

## DELTA Configuration



# WYE Configuration

