



HBA0/5 'D' SERIES

Parts Identification Manual



HBA5D2 SHOWN

WINSTON CVAP MODEL HBA0/5D SERIES

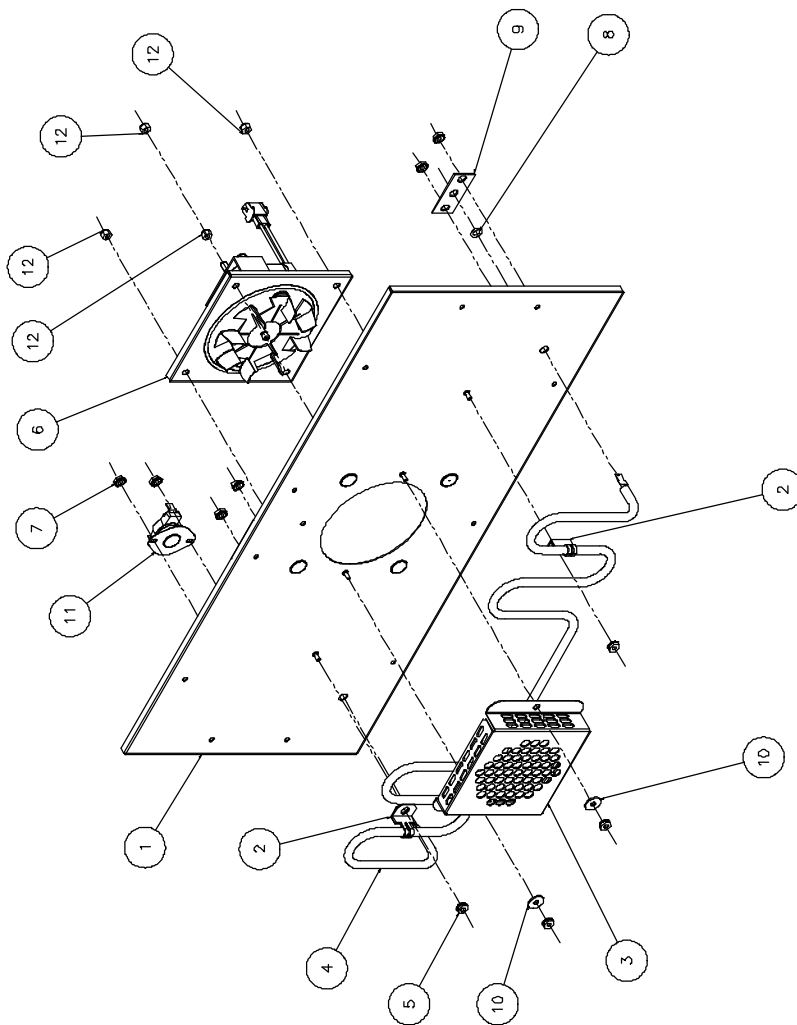
TABLE OF CONTENTS

| | |
|--|----|
| Exploded view – Back Interior Assembly | 3 |
| Exploded view – Bottom Assembly..... | 4 |
| Exploded view – Tank Assembly..... | 5 |
| Exploded view – Probe Assemblies..... | 6 |
| Exploded view - Cabinet Assembly..... | 7 |
| Exploded view – Drawer Cabinet Assembly..... | 8 |
| Exploded view – Drawer Assembly..... | 9 |
| Exploded view – Escutcheon Control Assembly..... | 10 |
| Exploded view – Fan Assembly..... | 11 |
| Electrical Schematic..... | 12 |

WINSTON CVAP MODEL HBA0/5D SERIES

BACK INTERIOR ASSEMBLY

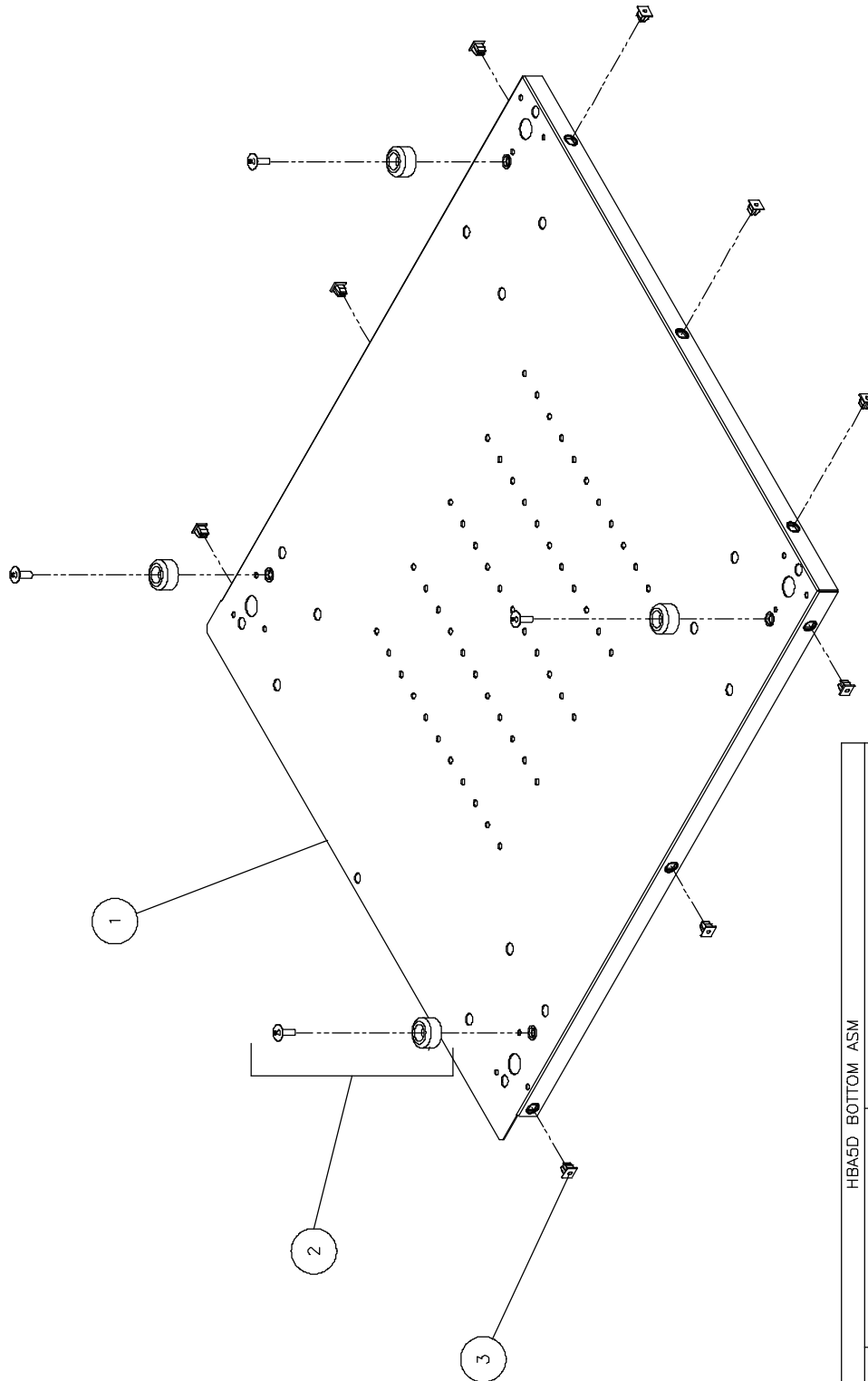
| SYM. | QTY | PART NO | DESCRIPTION |
|------|-----|--------------------|-----------------------------------|
| 1 | 1 | REF ONLY (963X10) | CAVITY BACK INT WELD |
| 2 | 2 | REF ONLY (693M01) | CLAMP HEATER |
| 3 | 1 | REF ONLY (6071W01) | COVER FAN |
| 4 | 1 | PS2197 | HEATER 120V 840W - BEFORE 8/26/02 |
| | | | HEATER 120V 840W - AFTER 8/26/02 |
| 5 | 4 | PS1253-6 | NUT HEX #10-32 S.S. |
| 6 | 1 | PS2704 | MOTOR FAN ASM |
| 7 | 10 | REF ONLY (4098K29) | NUT KEPS #10-32 |
| 8 | 2 | PS1784-3 | O-RING .301 ID x 446 OD |
| 9 | 2 | REF ONLY (204M01) | RETAINER O-RING HEATER |
| 10 | 2 | REF ONLY (1122N01) | WASHER |
| 11 | 1 | PS2199 | THERMOSTAT 250 |
| 12 | 4 | REF ONLY (4098N53) | NUT NYLON INSERT #10-32 |



VIEWED FROM INSIDE

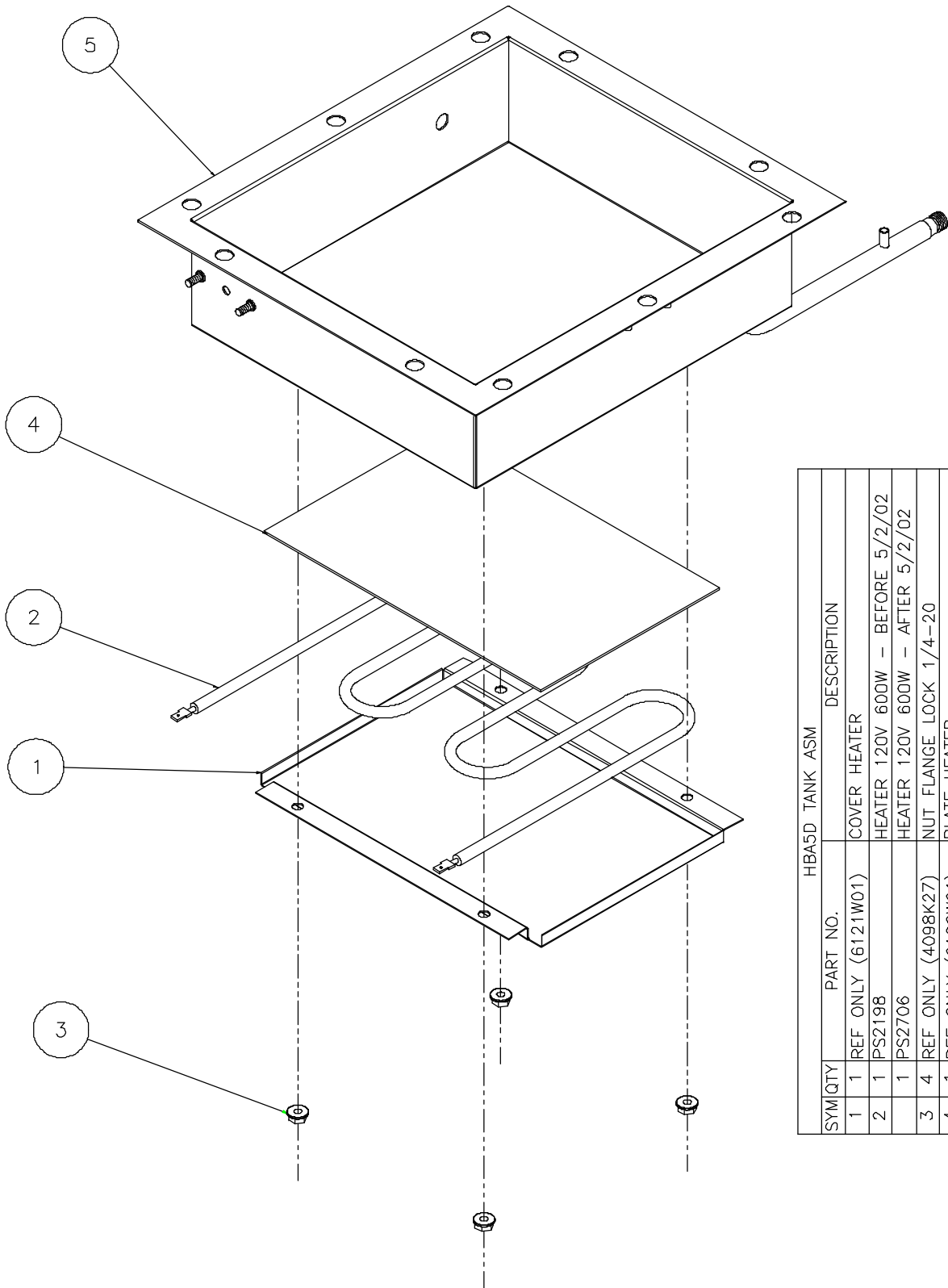
WINSTON CVAP MODEL HBA0/5D SERIES

BOTTOM ASSEMBLY



WINSTON CVAP MODEL HBA0/5D SERIES

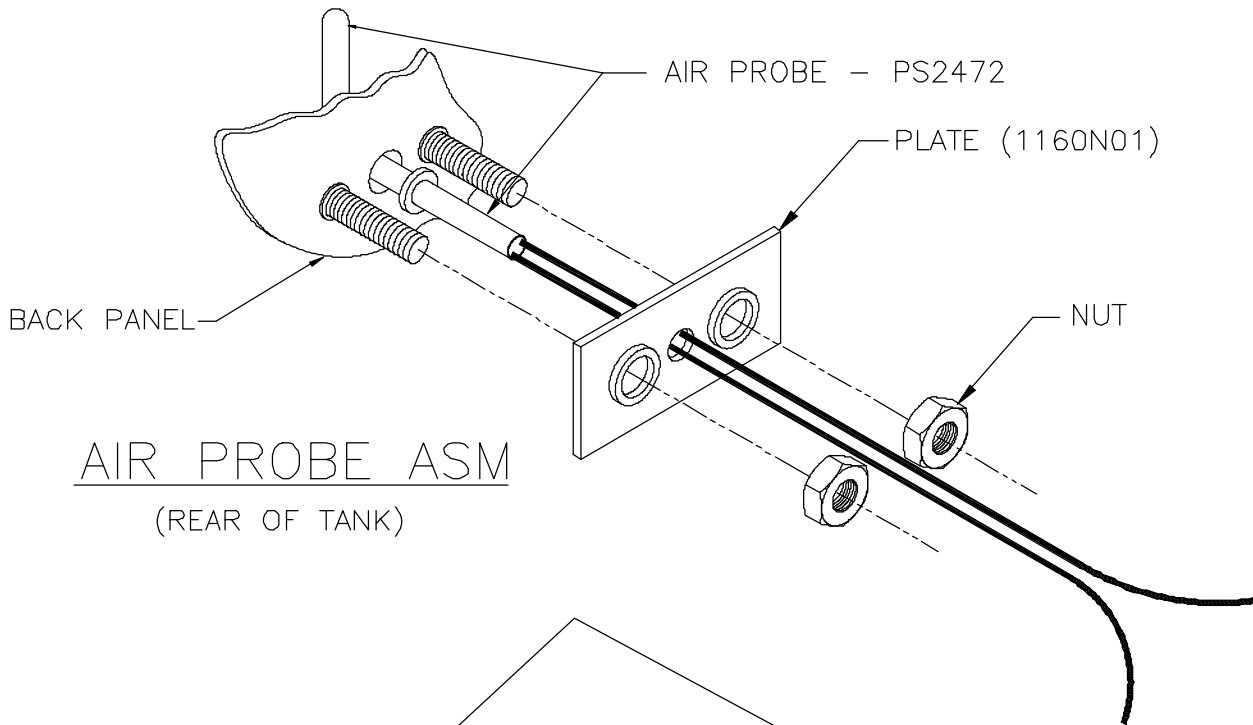
TANK ASSEMBLY



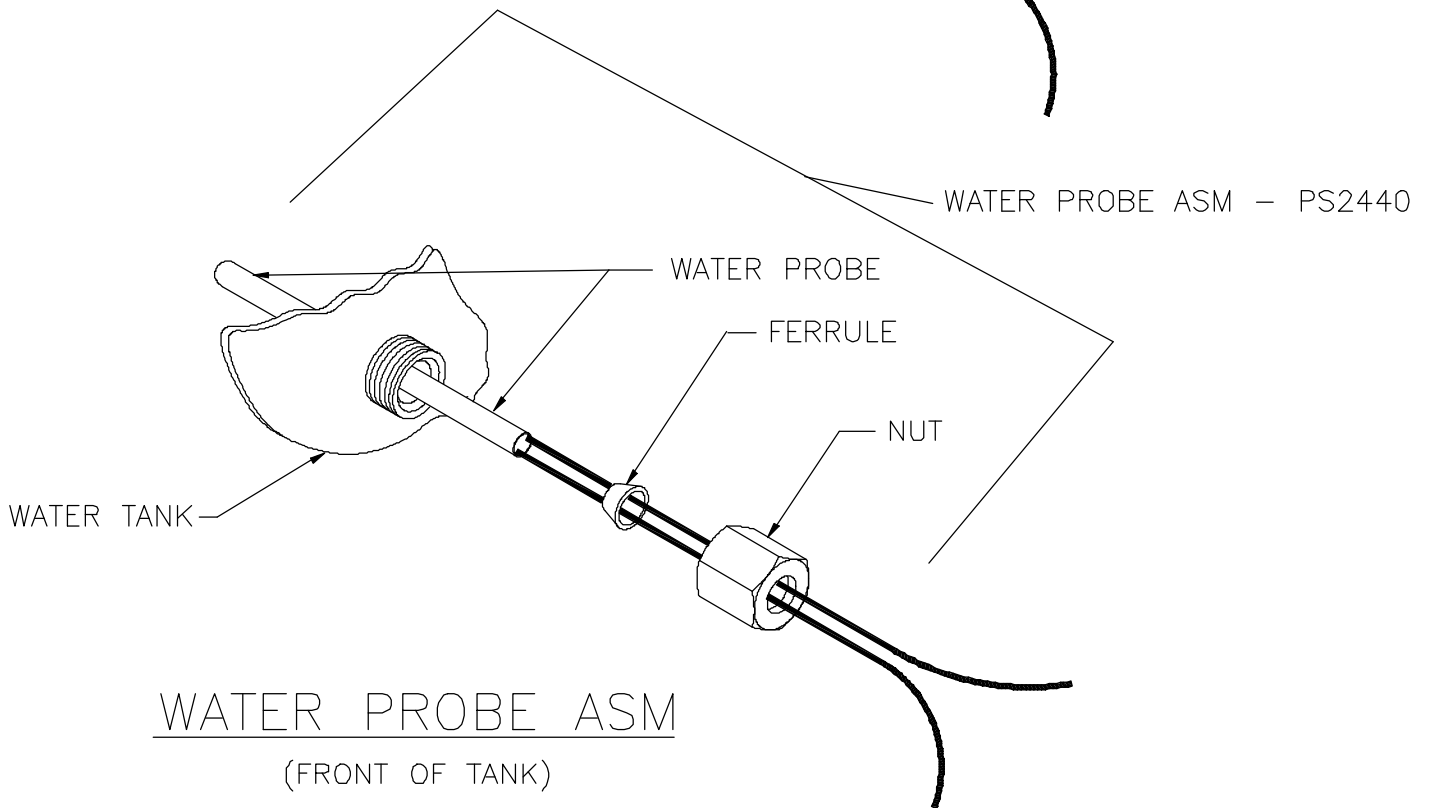
| HBA5D TANK ASM | | |
|----------------|--------------------|-----------------------------------|
| SYM/QTY | PART NO. | DESCRIPTION |
| 1 | REF ONLY (6121W01) | COVER HEATER |
| 2 | PS2198 | HEATER 120V 600W -- BEFORE 5/2/02 |
| 1 | PS2706 | HEATER 120V 600W -- AFTER 5/2/02 |
| 3 | REF ONLY (4098K27) | NUT FLANGE LOCK 1/4-20 |
| 4 | REF ONLY (6122W01) | PLATE HEATER |
| 5 | REF ONLY (965U08) | TANK WELD |

WINSTON CVAP MODEL HBA0/5D SERIES

PROBE ASSEMBLIES

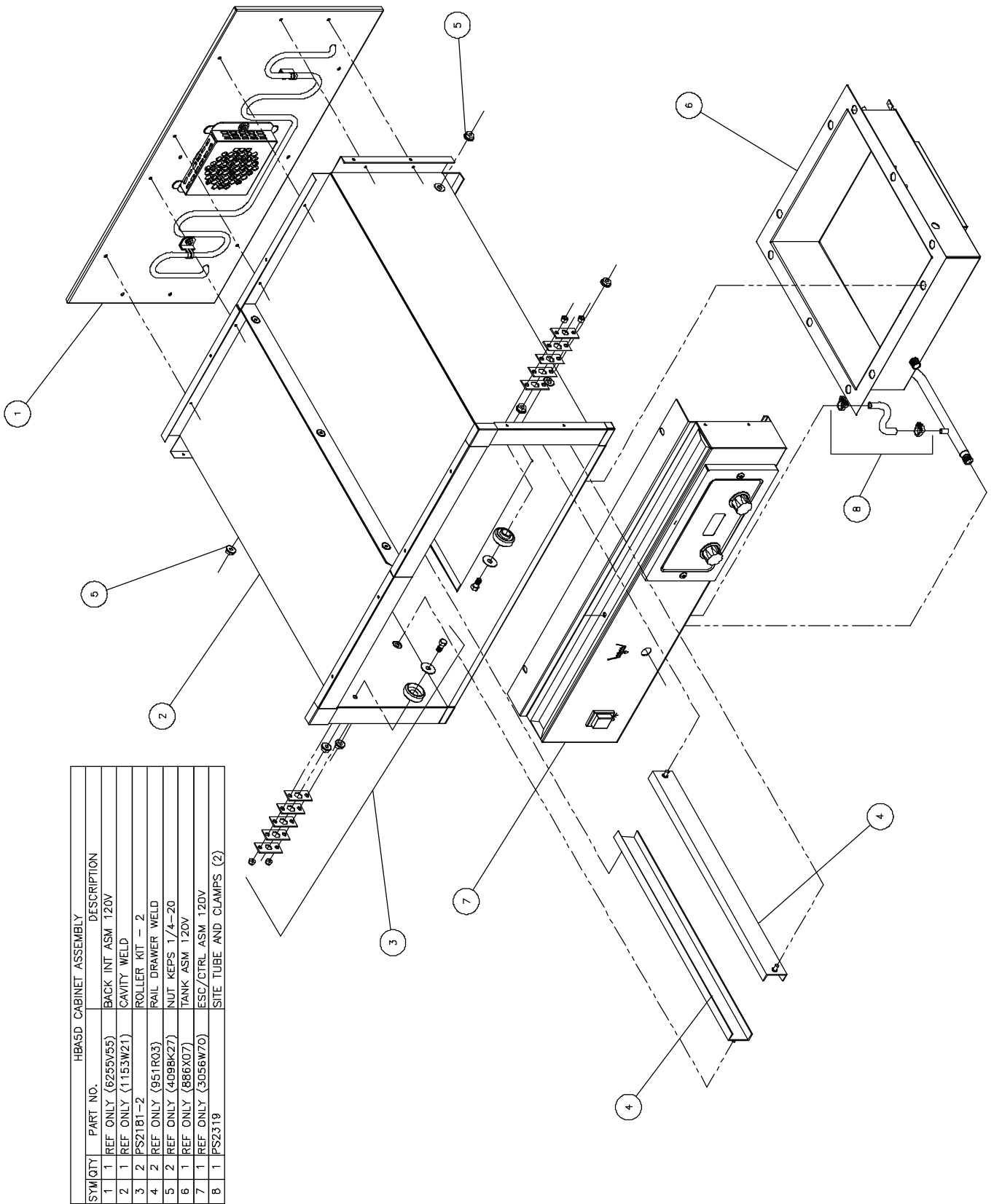


AIR PROBE ASM
(REAR OF TANK)



WATER PROBE ASM
(FRONT OF TANK)

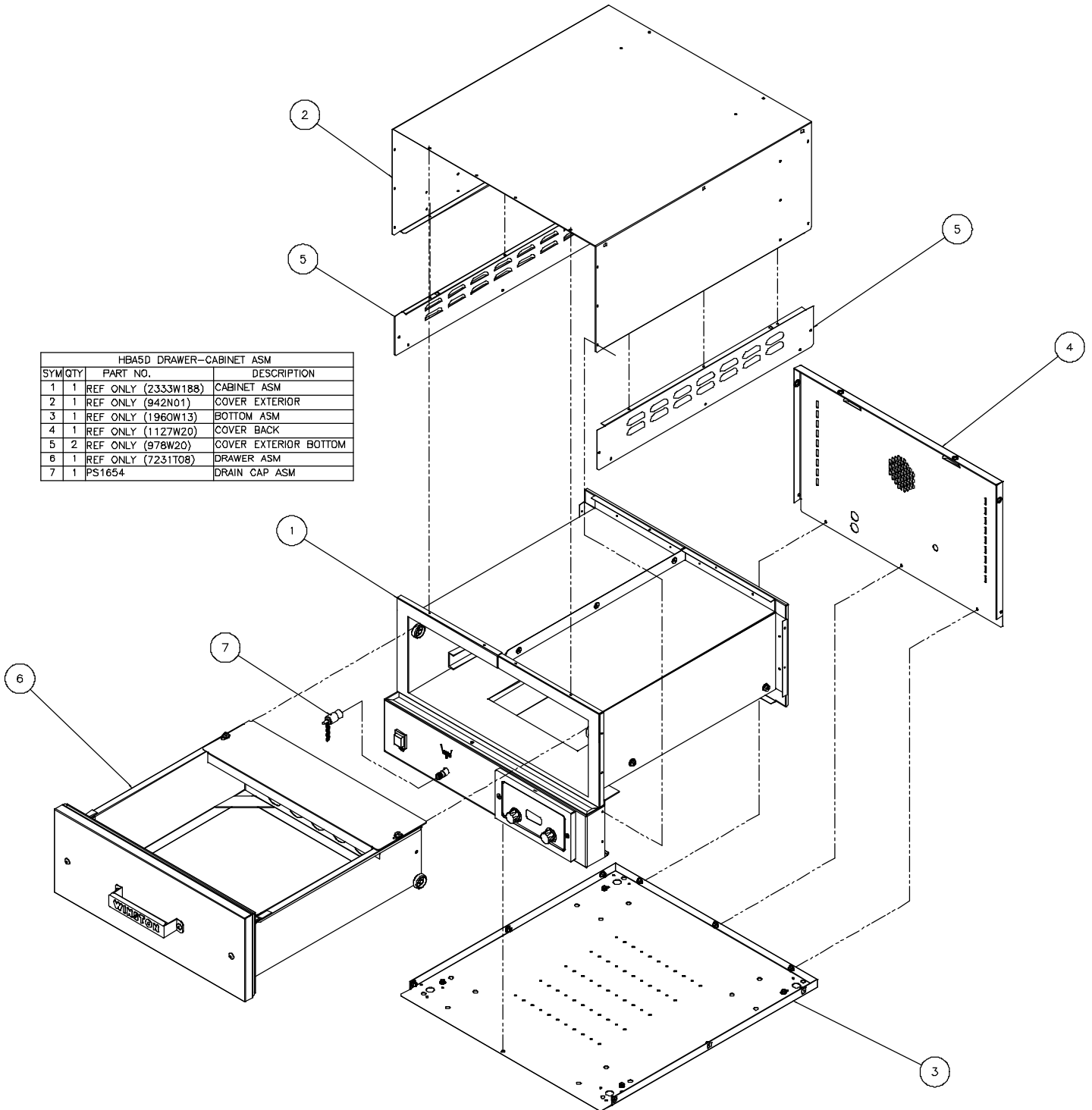
WINSTON CVAP MODEL HBA0/5D SERIES CABINET ASSEMBLY



WINSTON CVAP MODEL HBA0/5D SERIES

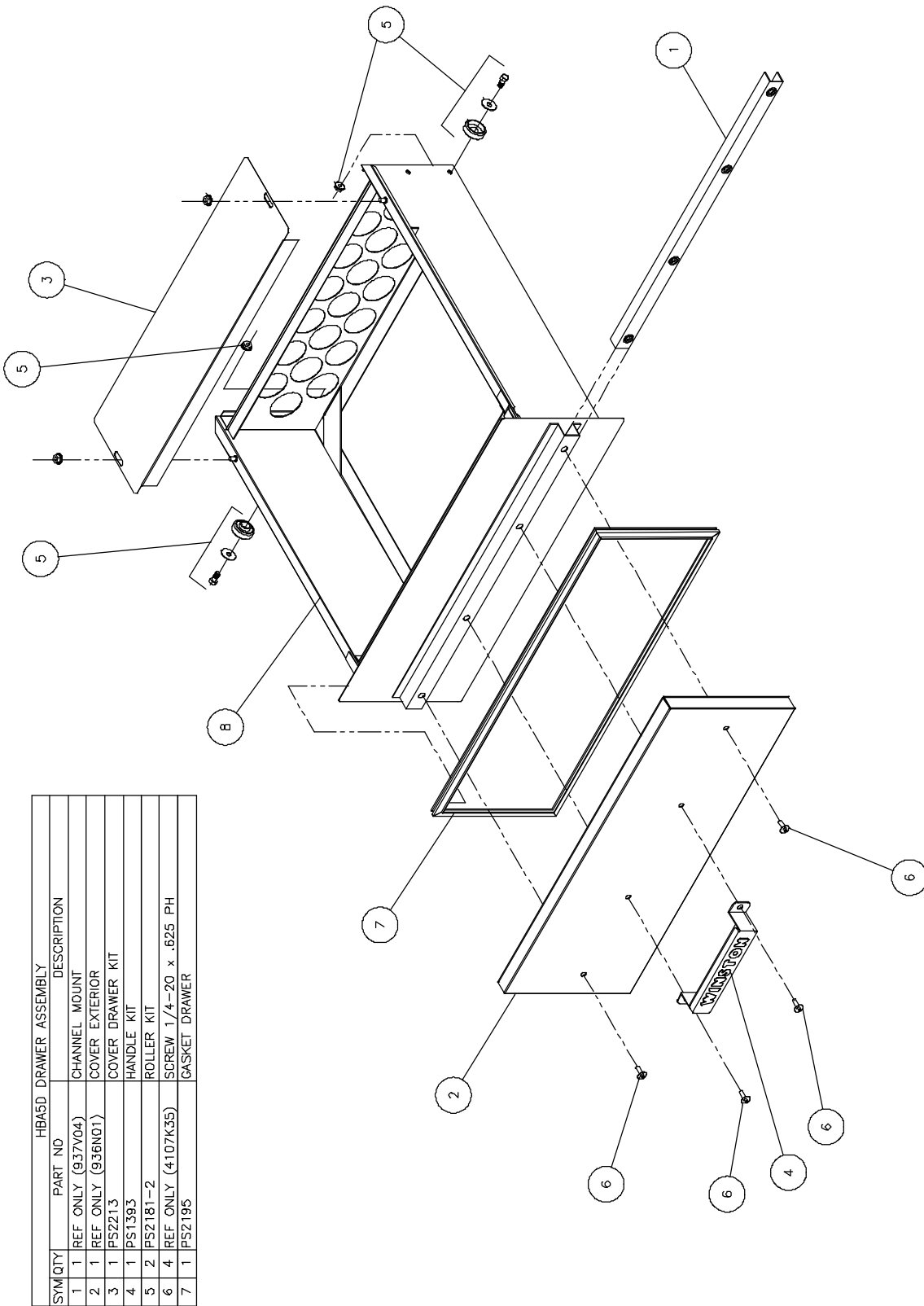
DRAWER CABINET ASSEMBLY

| HBA5D DRAWER-CABINET ASM | | | |
|--------------------------|-----|---------------------|-----------------------|
| SYM | QTY | PART NO. | DESCRIPTION |
| 1 | 1 | REF ONLY (2333W188) | CABINET ASM |
| 2 | 1 | REF ONLY (942N01) | COVER EXTERIOR |
| 3 | 1 | REF ONLY (1960W13) | BOTTOM ASM |
| 4 | 1 | REF ONLY (1127W20) | COVER BACK |
| 5 | 2 | REF ONLY (978W20) | COVER EXTERIOR BOTTOM |
| 6 | 1 | REF ONLY (7231T08) | DRAWER ASM |
| 7 | 1 | PS1654 | DRAIN CAP ASM |



WINSTON CVAP MODEL HBA0/5D SERIES

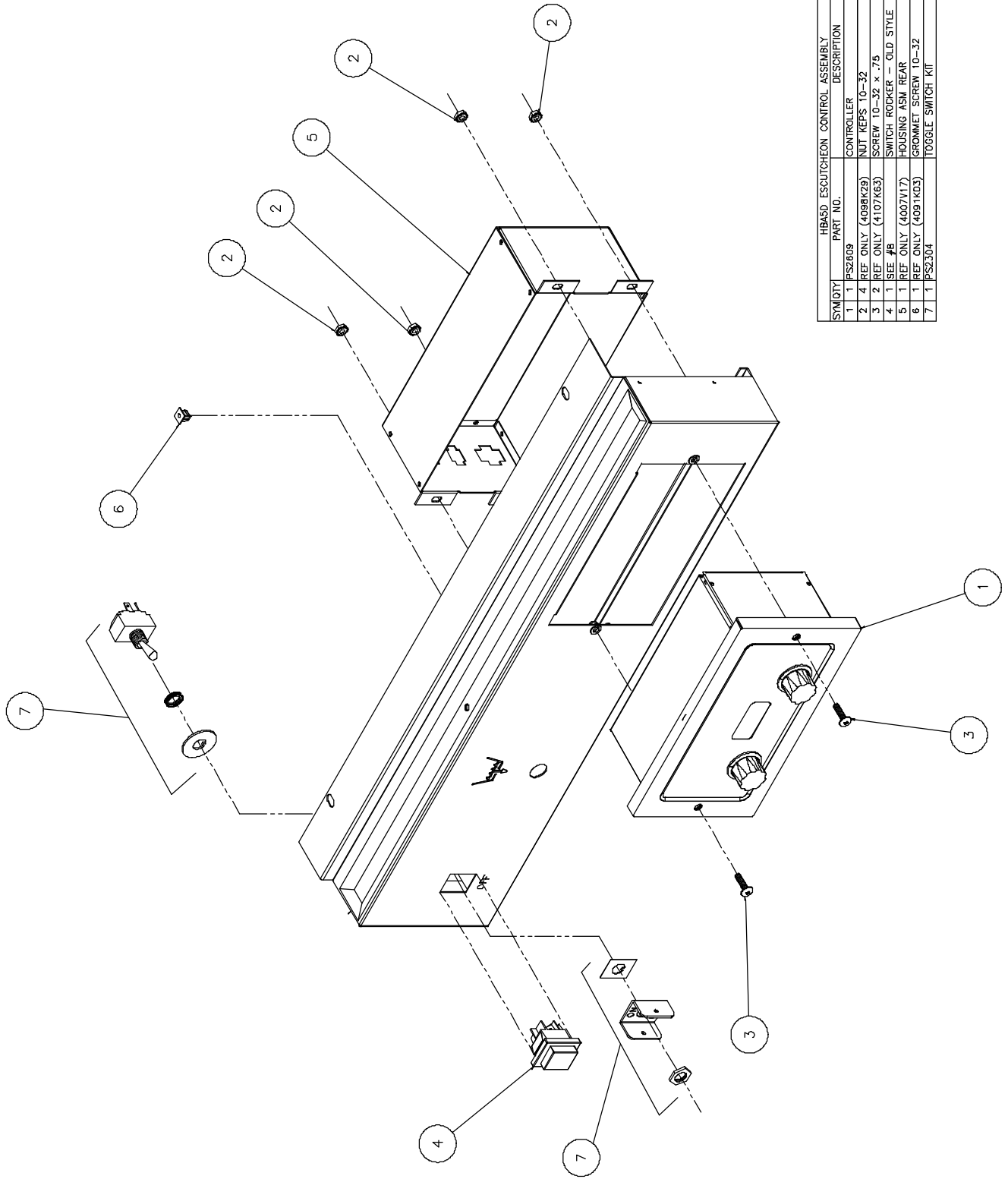
DRAWER ASSEMBLY



| HBA5D DRAWER ASSEMBLY | |
|-----------------------|---|
| SYM QTY | PART NO DESCRIPTION |
| 1 | REF ONLY (937V04) CHANNEL MOUNT |
| 2 | REF ONLY (936ND1) COVER EXTERIOR |
| 3 | PS2213 COVER DRAWER KIT |
| 4 | PS1393 HANDLE KIT |
| 5 | PS2181-2 ROLLER KIT |
| 6 | REF ONLY (4107K35) SCREW 1/4-20 x .625 PH |
| 7 | PS2195 GASKET DRAWER |

WINSTON CVAP MODEL HBA0/5D SERIES

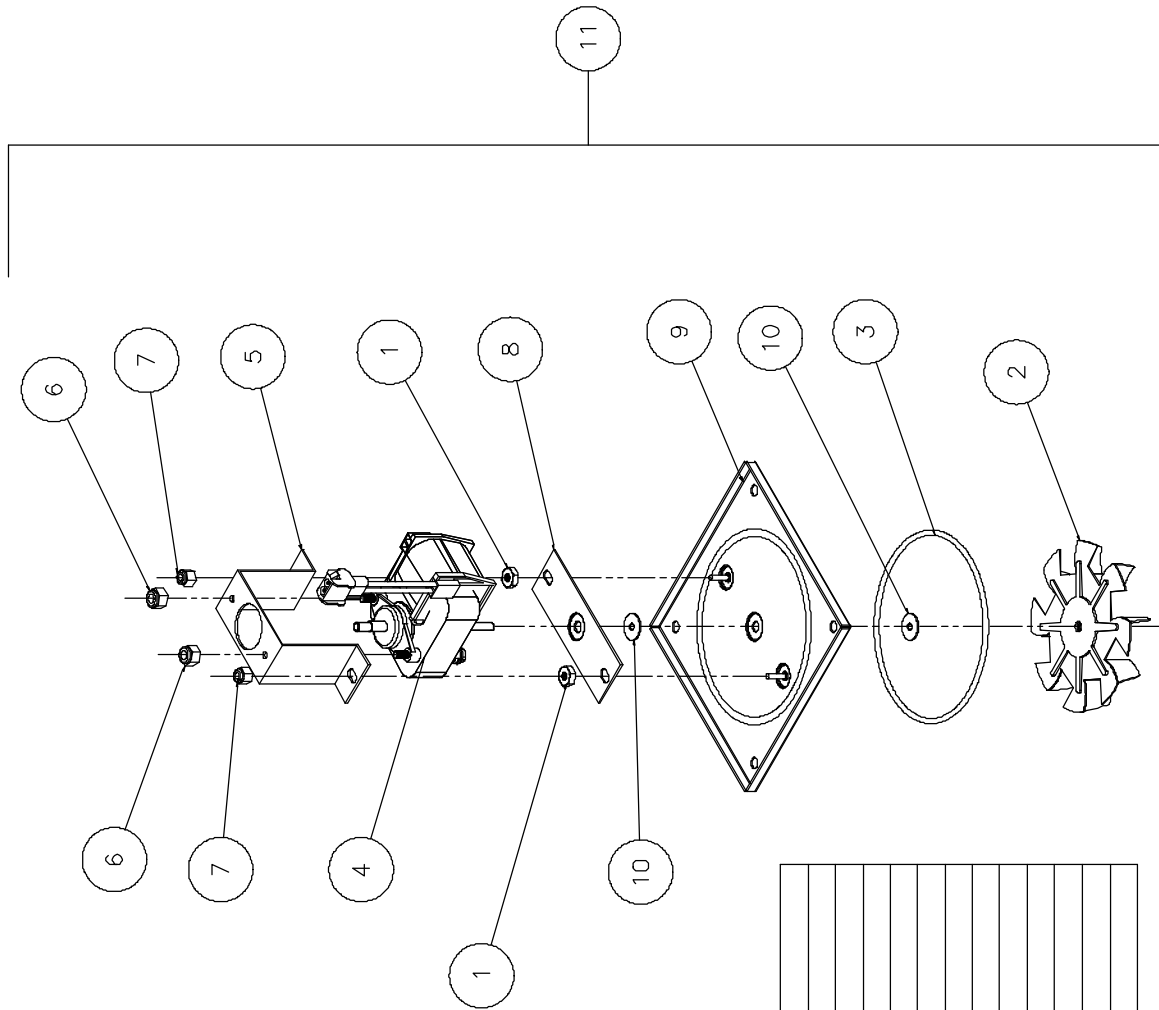
ESCUTCHEON CONTROL ASSEMBLY



| SYMBDTY | HBA0/D ESCUTCHEON CONTROL ASSEMBLY | PART NO. | DESCRIPTION |
|---------|------------------------------------|---------------------------|-------------|
| 1 | PSZ809 | CONTROLLER | |
| 2 | REF ONLY (409BK29) | NUT KEPS 10-32 | |
| 3 | REF ONLY (4107K63) | SCREW 10-32 x .75 | |
| 4 | SEE #B | SWITCH ROCKER - OLD STYLE | |
| 5 | REF ONLY (4007Y17) | HOUSING ASM REAR | |
| 6 | REF ONLY (409TKD3) | GROMMET SCREW 10-32 | |
| 7 | PSZ304 | TOGGLE SWITCH KIT | |

WINSTON CVAP MODEL HBA0/5D SERIES

FAN ASSEMBLY (HBA5 MODELS ONLY)



| SYM QTY | PART NO. | DESCRIPTION |
|---------|----------------------|-------------------------|
| | HBA5D FAN ASM PS2704 | |
| 1 | 2 REF ONLY (4098W7B) | NUT JAM 1/4-20 |
| 2 | 1 PS2544 | FAN 4.00 DIA. |
| 3 | 1 REF ONLY (6159W01) | GASKET FAN ASM |
| 4 | 1 PS2196 | MOTOR 120V |
| 5 | 1 REF ONLY (176W08) | MOUNT FAN |
| 6 | 2 REF ONLY (4098N53) | NUT NYLON INSERT #10-32 |
| 7 | 2 REF ONLY (4098Q58) | NUT NYLON INSERT #8-32 |
| 8 | 1 REF ONLY (1070W02) | RETAINER SHAFT |
| 9 | 1 REF ONLY (6106W01) | PLATE WELD |
| 10 | 2 REF ONLY (4023W21) | WASHER SLINGER |
| 11 | 1 PS2704 | FAN AND MOTOR ASM |

WINSTON CVAP MODEL HBA0/5D SERIES

SCHEMATIC (HBA0 MODELS DO NOT HAVE FAN)

