



**WELLS MANUFACTURING**

265 Hobson Street, Smithville, Tennessee 37166

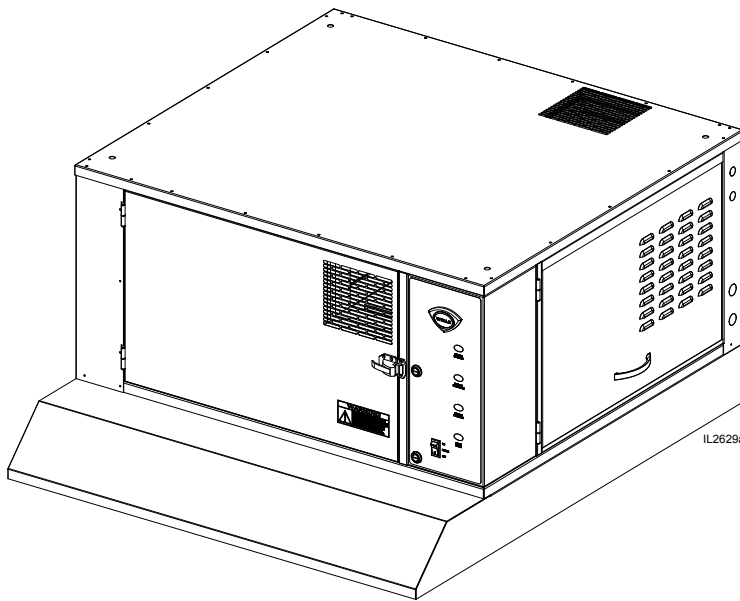
telephone: 314-678-6314

[www.wells-mfg.com](http://www.wells-mfg.com)

**523**

**OWNER'S MANUAL**

**VENTLESS UNIVERSAL  
HOOD SYSTEM  
for  
ELECTRIC OVENS,  
PROOFERS AND  
HOLDERS**

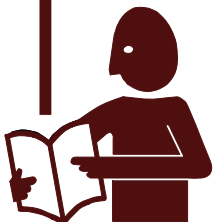


**MODEL  
WVC46  
WVC46X**

**Manual Includes  
INSTALLATION  
USE & CARE  
EXPLODED VIEW  
PARTS LIST  
WIRING DIAGRAM**

**IMPORTANT: DO NOT DISCARD THIS MANUAL**

This manual is considered to be part of the appliance and is to be given to the OWNER or MANAGER of the restaurant, or to the person responsible for TRAINING OPERATORS of this appliance. Additional manuals are available from your WELLS DEALER.



**THIS MANUAL MUST BE READ AND UNDERSTOOD BY ALL PERSONS USING OR INSTALLING THIS APPLIANCE.** Contact your WELLS DEALER if you have any questions concerning installation, operation or maintenance of this equipment.

## LIMITED EQUIPMENT WARRANTY

Wells Manufacturing warranties new products to be free from defects in material and/or workmanship for a period of one [1] year from the date of original installation, except as noted below. Defects that occur as a result of normal use, within the time period and limitations defined in this warranty, will at Wells' discretion have the parts replaced or repaired by Wells or a Wells-authorized service agency.

### THIS WARRANTY IS SUBJECT TO ALL LISTED CONDITIONS.

Repairs performed under this warranty are to be performed by a Wells-authorized service agency. Wells will not be responsible for charges incurred or service performed by non-authorized repair agencies.

In all cases, the nearest Wells-authorized service agency must be used.

Wells will be responsible for normal labor charges incurred in the repair or replacement of a warrantied product within 50 miles (80.5 km) of an authorized service agency. Time and expense charges for anything beyond that distance will be the responsibility of the owner. All labor will need to be performed during regular service hours. Any overtime premium will be charged to the owner. For all shipments outside the U.S.A. and Canada, please see the International Warranty for specific details.

It is the responsibility of the owner to inspect and report any shipping damage claims, hidden or otherwise, promptly following delivery.

No mileage or travel charges will be honored on any equipment that is deemed portable. In general, equipment with a cord and plug weighing less than 50 lb. (22.7 kg) is considered portable and should be taken or shipped to the closest authorized service agency, transportation prepaid.

### CONTACT

Should you require any assistance regarding the operation or maintenance of any Wells equipment; write, phone, fax or email our service department. In all correspondence mention the model number and the serial number of your unit, as well as the voltage or type of gas you are using.

Business hours are 8:00 a.m. to 4:30 p.m. Central Standard Time  
 Telephone 314.678.6314  
 Fax 314.781.2714  
 Email customerservice@star-mfg.com  
 www.wells-mfg.com

## WARRANTY EXCLUSIONS

THE FOLLOWING WILL NOT BE COVERED UNDER WARRANTY.

- Any product which has not been installed, cleaned, maintained, or used in accordance with the directions published in the appropriate installation sheet and/or owner's manual as well as national and local codes, including incorrect gas or electrical connection. Wells is not liable for any unit which has been mishandled, abused, misapplied, subjected to chlorides, harsh chemicals, or caustic cleaners, damaged from exposure to hard water, modified by unauthorized personnel, damaged by flood, fire, or other acts of nature [or God], or which have an altered or missing serial number.
- Installation, labor, and job checkouts, calibration of heat controls, air and gas burner/bypass/pilot adjustments, gas or electrical system checks, voltage and phase conversions, cleaning of equipment, or seasoning of griddle surface.
- Replacement of fuses or resetting of circuit breakers, safety controls, or reset buttons.
- Replacement of broken or damaged glass components, quartz heating elements, and light bulbs.
- Labor charges for all removable parts in gas charbroilers and hotplates, including but not limited to burners, grates, and radiants.
- Any labor charges incurred by delays, waiting time, or operating restrictions that hinder a service technician's ability to perform service.
- Parts that fail or are damaged due to normal wear or labor for replacement of Items that can easily be replaced during a daily cleaning routine. such as but not limited to silicone belts, PTFE non-stick sheets, knobs, control labels, bulbs, fuses, quartz heating elements, baskets, racks, and grease drawers.
- Components that should be replaced when damaged or worn, but have been field-repaired instead [eg. field-welded fry pots].
- Any loss of business or profits.

### ADDITIONAL WARRANTIES

Specialty/chain specific versions may also have additional and/or extended warranties.

PRODUCTS	PARTS	LABOR
universal ventless hoods	2 years	1 year
canopy hoods	2 years	1 year
"Cook'n Hold" equipment [HW10, HWSMP, LLSC7, LLSC7WA, LLSC11, and LLSC11WA]	2 years	1 year
cast iron grates, burners, and burner shields	1 year	
original Wells parts sold to repair Wells equipment	90 days	
Service First	1 year	

## TABLE OF CONTENTS

WARRANTY	1
ELECTRICAL SPECIFICATIONS	1
FEATURES & OPERATING CONTROLS	2-3
PRECAUTIONS & GENERAL INFORMATION	4
AGENCY LISTING INFORMATION	5
INSTALLATION	5
Unpacking & Inspection	5
Components	5
Under-Hood Appliance Limitations	6
Service Technician Installation Notes	7
Site Preparation	9
Mechanical Installation	9
Discharge Direction Modification	10-11
Electrical Installation	12-14
ANSUL® INSTALLATION & SETUP	13-14
Filter Installation	15
OPERATION	16
Operation Lights	16
CLEANING INSTRUCTIONS	17-18
REQUIRED MAINTENANCE & MAINTENANCE LOGS	20-23
TROUBLESHOOTING SUGGESTIONS	24
WIRING DIAGRAM	25
EXPLODED VIEW & PARTS LIST	26-29
PARTS & SERVICE	33
CUSTOMER SERVICE DATA	33

## INTRODUCTION

Thank You for purchasing this Wells Manufacturing appliance.

Proper installation, professional operation and consistent maintenance of this appliance will ensure that it gives you the very best performance and a long, economical service life.

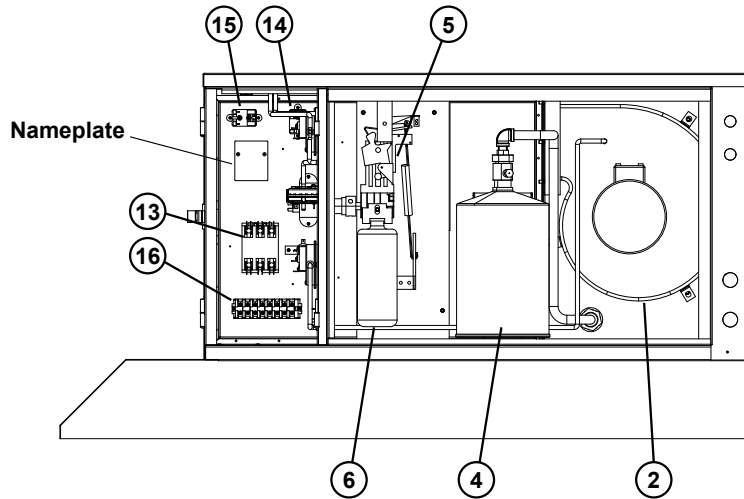
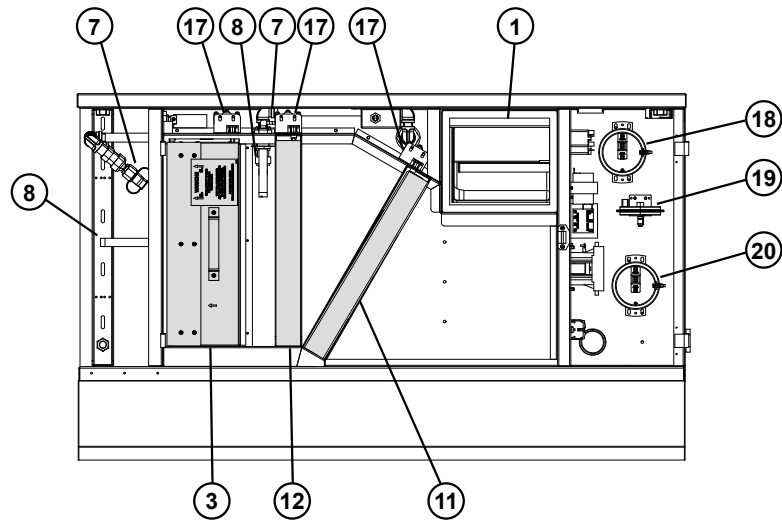
This manual contains information and instructions for the ventless ventilation hood, its use and care.

For information regarding cooking appliance(s), please refer to the manufacturer's operation manual.

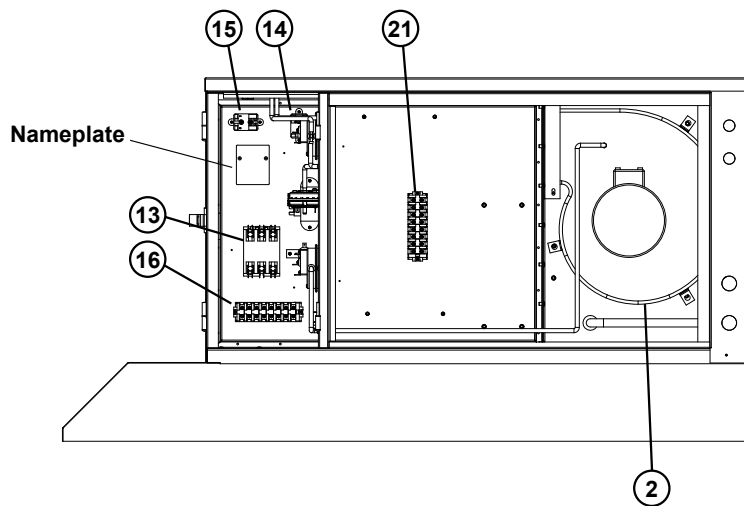
## ELECTRICAL SPECIFICATIONS

Model	Volts	Amps	Power Supply
WVC46	208/240V	4.3	For supply connection use #12 AWG copper wire only.
WVC46X			

# FEATURES & OPERATING CONTROLS



WVC-46



WVC-46X

IL2631c

Ventilator Section Operating Features & Controls

## FEATURES & OPERATING CONTROLS continued

FEATURES & OPERATION CONTROLS		
ITEM NO	DESCRIPTION	COMMENT
1	VENTILATOR EXHAUST DUCT, FRONT	Exit point for ventilator airflow - on front of unit. DO NOT BLOCK
2	VENTILATOR FAN	Provides air movement for ventilation
3	HI-EFFICIENCY/CHARCOAL FILTER PACK	Removes grease and smoke particles. Also assists in cooking odor removal.
4	FIRE SUPPRESSION TANK	Container for ANSUL® Low-pH Liquid fire suppression fluid.
5	ACTUATOR ASSY	Triggers deployment of suppression fluid through manual pull station or electric detection.
6	ANSUL® CARTRIDGE	Propels suppression liquid through suppression manifold and nozzles.
7	DISCHARGE NOZZLES	Fire suppression media discharges here, (3 places)
8	ELECTRICAL DETECTORS	Designed to activate at certain temperature. Activates (i.e. fire on the cooktop) activates fire suppression system. Should be checked every 6 months during ANSUL® Service Inspection
9	APPLIANCE LIGHT (Not Shown)	ON when hood power switch is ON. Illuminates cooking area.
10	GREASE DRIP TRAY (Not Shown)	Collects grease/moisture dripping from baffle filter (16)
11	BAFFLE FILTER	Extracts and drains most greases and moisture from the air flow.
12	PRE-FILTER	Replaceable PRE-FILTER, stops large particles of grease from reaching the FILTER PACK for reduced maintenance costs.
13	EQUIPMENT INTERFACE CONTACTOR	Energizes cooking appliances only while ventilator section is sensed as operational.
14	BUILDING FIRE ALARM RELAY	Reports fire alarm condition to building fire management system.
15	DETECTION END OF LINE RELAY	Prevents appliance operation if a fault is found in detection circuit.
16	SUPPLY CONNECTION TERMINAL BLOCK	Provides connection point for electrical circuitry
17	FILTER INTERLOCK SWITCHES	Proper installation of baffle filter and filter pack closes these switches in ventilator sensor circuit
18	HEPA FILTER SWITCH	Monitors the HEPA filter and indicates when it needs replacing, if ignored it will lead to unit shut down.
19	PRE-FILTER SWITCH	Monitors the Pre-Filter and indicates when it needs replacing, if ignored it will lead to unit shut down.
20	UNIT SHUT-DOWN SWITCH	Shuts down the unit and appliances when the lack of air flow reaches a certain level, triggers a service unit indicator.
21	FIRE PROTECTION CONNECTION TERMINAL BLOCK	Provides connection point for electrical circuitry

## PRECAUTIONS AND GENERAL INFORMATION



### **DANGER:** **SUFFOCATION HAZARD**

Do not attempt to use this ventilator with gas-fired units. This ventilator will not remove products of combustion. Unvented exhaust gasses can be deadly.



### **WARNING:** **SHOCK HAZARD**

All servicing requiring access to non-insulated electrical components must be performed by a factory authorized technician.

**DO NOT** open any access panel which requires the use of tools. Failure to follow this warning can result in severe electrical shock.

### **IMPORTANT:**

The ventilator is disabled when the filters are clogged to the point of insufficient airflow for proper operation. Also, power to the cooking appliances is interrupted if any filters or service panel are removed.

It is the responsibility of the store management to maintain sufficient spares of filter packs to avoid prolonged shutdown due to a dirty or clogged filter pack. Filter packs cannot be cleaned.

Wells Manufacturing assumes no liability for loss of business due to a filter related shutdown. Spare filters can be purchased from any authorized Wells servicer or calling Wells at (314) 678-6314.

This ventilator hood is part of an engineered system and is intended for use in commercial establishments only.

This ventilator is intended for commercial establishments for use in the preparation food for human consumption. No other use is recommended or authorized by the manufacturer or its agents.

Operators of this appliance must be familiar with the appliance use, limitations and associated restrictions. Operating instructions must be read and understood by all persons using or installing this appliance.

This ventilator hood system is designed to reduce odor emissions, but will not completely eliminate all cooking odors. Air exchange rates at the installation site must comply with the requirements of the local jurisdictional authority. To ensure that odors do not accumulate, recommended minimum air exchange is 200 cfm per linear foot of hood into *and out of* the site.

This unit is intended for use with light- and medium duty electric cooking appliances only. Cooking appliances placed under this ventilator must comply with the restrictions set forth in the *Installation section of this manual*.

Do not connect or energize this appliance until all installation instructions are read and understood. Property damage or bodily injury may result if these instructions are not followed. Disconnect this appliance from electrical power before performing any maintenance or servicing.

Cleanliness of this appliance is essential to good sanitation. Read and follow all included cleaning instructions and schedules to ensure the safety of the food product.

This appliance is not jet steam approved. Do not direct water jet or steam jet at this appliance, or at any control panel or wiring. Do not splash or pour water on, in or over any controls, control panel or wiring. Do not attempt to wash filter packs. Water will cause their immediate failure and disable the ventilator.

Exposed surfaces of this appliance can be hot to the touch and may cause burns.

Avoid storing flammable or combustible materials in, on or near the ventilator or associated cooking appliance.

The technical content of this manual, including any wiring diagrams, schematics, parts breakdown illustrations and/or adjustment procedures, is intended for use by qualified technical personnel.

Any procedure which requires the use of tools must be performed by a qualified technician.

All supplied instructions, diagrams, schematics, parts breakdown illustrations, notices and labels must remain with the appliance if the unit is sold or moved to another location.

This appliance is made in the USA. Unless otherwise noted, this appliance has American sizes on all hardware.

## AGENCY LISTING INFORMATION



**Intertek**

3169406



**Intertek**

UL710B

Recirculating System

This appliance conforms to NSF Standard 4 for sanitation only if installed in accordance with the supplied *Installation Instructions* and operated and maintained in accordance with the instructions in this manual.

This appliance is ETL listed.

## INSTALLATION

### UNPACKING & INSPECTION

Carefully remove the appliance from the carton. Remove all protective plastic film, packing materials and accessories from the appliance before connecting electrical power or otherwise performing any installation procedure.

Carefully read all instructions in this manual and any other documents packed with the appliance before starting any installation. All documentation should remain with the equipment operator for future reference.

Read and understand all labels and diagrams attached to the ventilator.

Carefully account for all components and accessories before discarding packing materials.

### COMPONENTS

<b>Pre-Filter</b>	<b>1 ea.</b>
<b>Baffle Filter</b>	<b>1 ea.</b>
<b>Filter pack</b>	<b>1 ea.</b>
<b>Grease cup</b>	<b>1 ea.</b>
<b>Discharge Adapter Kit</b>	<b>1 ea.</b>

**Ansul® components - must be installed by an authorized Ansul® distributor only:**

- 1 ea. Fire suppression agent tank**
- 1 ea. Fire suppression agent (Ansulex® Low pH) 1.5 gal.**
- 1 ea. Fire suppression system charging cartridge**

Store these components in a convenient place for later use.

**NOTE:** DO NOT discard the carton or other packing materials until you have inspected the appliance for hidden damage and tested it for proper operation. Refer to *SHIPPING DAMAGE CLAIM PROCEDURE* on the inside front cover of this manual.



### **WARNING: RISK OF INJURY**

Installation procedures must be performed by a qualified technician with full knowledge of all applicable electrical codes. Failure can result in personal injury and property damage.

### **IMPORTANT:**

Fire suppression system must be charged and certified by an authorized Ansul® distributor. Ventilator will not operate and cooking appliance will not be energized until the Ansul® fire suppression system has been charged.

### **IMPORTANT:**

After cooking appliances are positioned under the hood, swivel nozzles must be positioned per Ansul® recommendations.

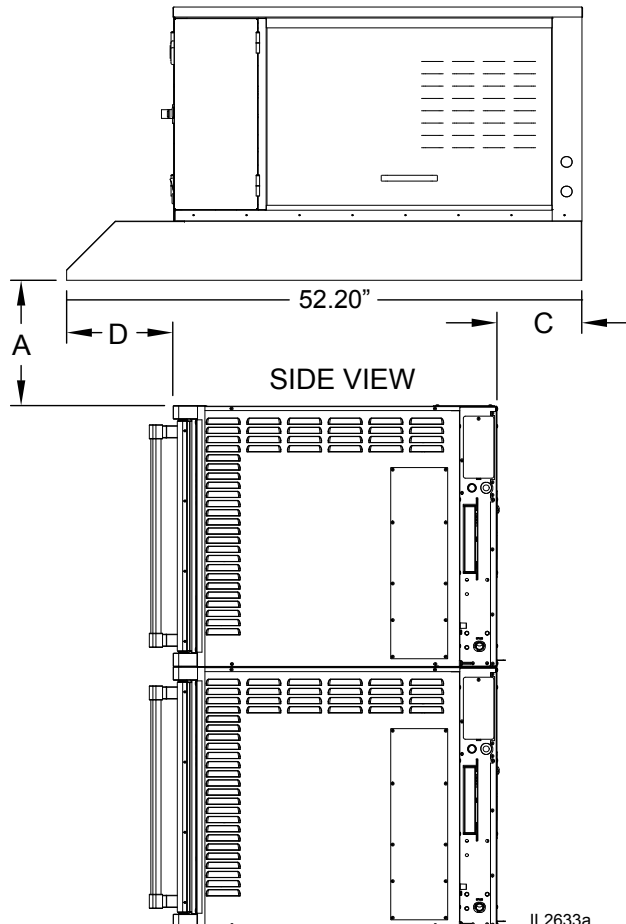
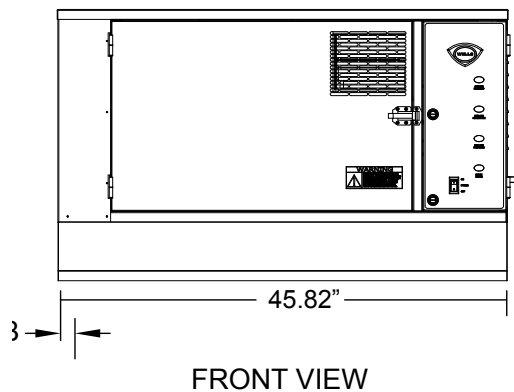
## INSTALLATION (continued)

### UNDER-HOOD APPLIANCE LIMITATIONS:

1. Appliance must be installed per manufactures instructions.
2. Electrical appliances only. Not Intended for gas fired units.
3. All appliances under the hood must be connected to the hood appliance interlock circuit.
4. All appliances must meet the requirements outlined in the cooking appliance limitations chart below.

EQUIPMENT PARAMERTUER - WVC-46 (X)							
Parameters Appliance Type	Max Cooking Temp	Max Single Units Cooking Area	Dim "A" (1) Min.	Dim "A" (2) Min.	Dim "B" (3) Min.	Dim "C" (4) Min.	Dim "D" (5) Min.
Convection Oven	550°F (287°C)	19 Cubic Feet	1"	6"	3"	0"	8"
Double Stack Oven							
Steamer/Combi Oven							
Bakery Oven / Proofer							

1. Dim "A" minimum distance from the lower edge of the hood skirt and the top of the appliance.
2. Dim "A" maximum distance from the lower edge of the hood skirt and the top of the appliance.
3. Dim "B" minimum overhang between the hood side skirt and the appliance side.
4. Dim "C" minimum space between the hood rear skirt and the back panel of the appliance.
5. Dim "D" minimum overhang between the front lower edge of the hood to the oven's heated surface.



Intended for installation in accordance with:

The standard for ventilation control and fire protection of commercial cooking operations NFPA 96, the National Electric Code NFPA 70 and local codes where applicable.

Only electrically heated appliances are acceptable for installation. Appliance Operation Requires the Fire suppression system be setup, charged and certified by an authorized ANSUL® distributor. The airflow monitoring system will prevent appliance operation if insufficient airflow is detected or all filters are not in place. The service panel must be in place for blower operation.

## INSTALLATION (continued)

### SERVICE TECHNICIAN INSTALLATION NOTES

This ventilator hood is to be used with light-duty and medium-duty electrically powered cooking appliances only.

- DO NOT attempt to use this ventilator hood with gas-fired units.
- DO NOT use this ventilator hood with electrical appliances whose dimensions or wattage characteristics exceed those defined in the Under Hood Cooking Appliance Limitations, page 6.

Installation and start up must be performed by an Authorized Installation Company.

Ansul® Installer must complete the WARRANTY INITIATION form (2M-303912) included with the unit for the warranty to begin, and record installation particulars on the CUSTOMER SERVICE DATA form located at the end of this manual.

IT is the responsibility of the installer to verify that this VENTILATOR installation is in compliance with the specifications listed in this manual, with local code requirements, and in accordance with N.F.P.A 96 the STANDARD FOR VENTILATION CONTROL AND FIRE PROTECTION OF COMMERCIAL COOKING OPERATIONS.

**WARNING: IMPROPER INSTALLATION, ADJUSTMENT, ALTERATION, SERVICE OR MAINTENANCE CAN CAUSE PROPERTY DAMAGE, INJURY OR DEATH. READ THE INSTALLATION, OPERATION AND MAINTENANCE INSTRUCTIONS THOROUGHLY BEFORE INSTALLING OR SERVICING THIS EQUIPMENT.**

**WARNING: THIS PRODUCT IS NOT PROVIDED WITH AN INTEGRAL FIRE EXTINGUISHING SYSTEM. AUTHORITIES HAVING JURISDICTION SHOULD BE CONSULTED AS TO THE REQUIREMENT FOR THIS EQUIPMENT WITH RESPECT TO FIRE EXTINGUISHING SYSTEMS, SUCH AS THE NEED FOR FIELD INSTALLED SYSTEMS IN ACCORDANCE WITH NFPA 96.**



### **DANGER:** **SUFFOCATION HAZARD**

Do not attempt to use this ventilator with gas-fired units. This ventilator will not remove products of combustion. Unvented exhaust gasses can be deadly.



### **WARNING:** **SHOCK HAZARD**

All servicing requiring access to non-insulated electrical components must be performed by a factory authorized technician.

**DO NOT** open any access panel which requires the use of tools. Failure to follow this warning can result in severe electrical shock.



### **CAUTION:** **RISK OF DAMAGE**

**DO NOT** connect or energize this appliance until all installation instructions are read and followed. Property damage or bodily injury could result if these instructions are not followed.

### **IMPORTANT:**

If a remote pull station is to be used, ventilator cannot be moved without first disabling the remote pull station.

Contact your Ansul® agent for details.

## INSTALLATION (continued)

### Site Preparation

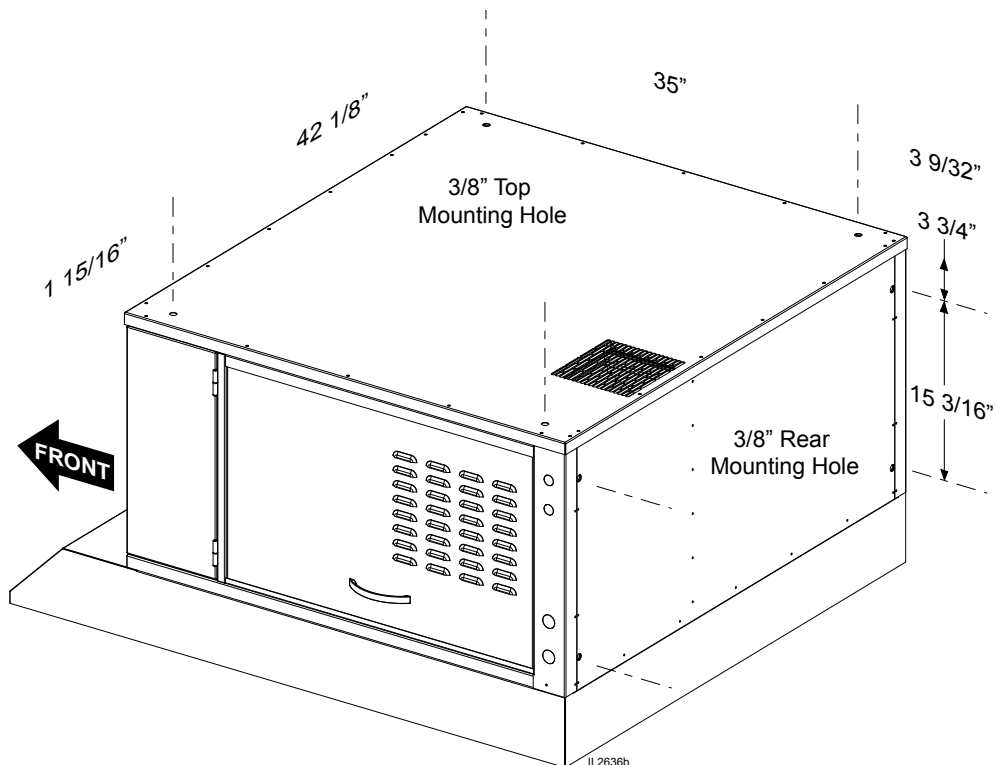
1. Provide clearance around installation site to safety rig and lift equipment into its final position. Consider general service and installation space when locating unit.
2. Thoroughly review the plans and specification of the project.
3. Determine the exact location in which the cooking hood will be installed and verify that there are no interferences, which will prevent proper installation.
4. Verify that all overhead beams and angles are structurally strong enough to support the weight of the hood and hanging system. It is often necessary to strengthen existing structural beams, as they are not designed to carry the weight of a stainless steel hood. Refer to the project submittal drawing for hood weight(s). It may also be necessary to create a support structure suspended from the ceiling joists to better align with the desired hood location.
5. Determine if adequate room is available to install the hood with proper clearance from combustible material. IMC, NFPA96 and local authorities having jurisdiction call for a minimum clearance (typically 18 inches) between the cooking hood(s) and building materials, which are combustible. However, IMC and NFPA96 outline acceptable clearance reduction methods. It is important to check with the local authority having jurisdiction to determine that the installation method is satisfactory to meet their requirements prior to installing the equipment.

## INSTALLATION (continued)

### MECHANICAL INSTALLATION

The following is a step-by-step procedure for installation of the Recirculating Hoods.

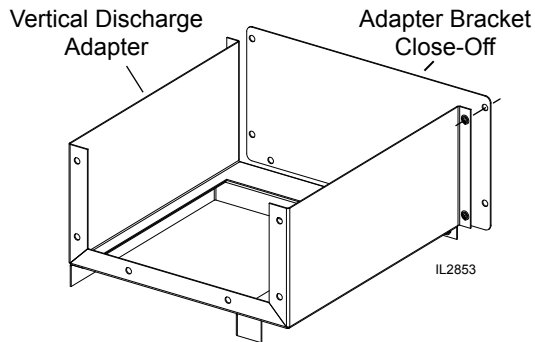
1. Uncrate the hood, being very careful not to dent or scratch the outer surface. NOTE Report any damage to the delivering freight carrier and file a claim if appropriate. Refer to the installation drawing for typical details of the ventilation system prior to hanging the hood. Check the nameplate on the equipment to make certain it meets the specifications provided by the architect and or engineer. If discrepancies exist, notify the manufacturer immediately.
2. It's important that you have read and understand "Site Preparation" before continuing with the installation of the hood. See Table on page 6 "EQUIPMENT PARAMERTUER".
3. Determine the exact location of the hood. Ensure support beams are structural support system is the responsibility of the contractor and the structural engineer.
4. Use 1/2-13 threaded rod to hang the hood. Drill 5/8" holes in the structural support system using dimensions provided below.
5. Each corner of the hood has a pre-punched hole. It is important that the 1/2-13 threaded rod that will be used to suspend the hood is secured at these locations. Each hole has a 14 gauge steel support plate that is riveted to the inside of the lid to strengthen the hood corners. Do not remove or relocate these plates.
6. Raise the hood into position using high lifts or equipment jacks at each end of the hood to ensure the hood is level. When the hood is elevated to the proper height, install 1/2-13 threaded rod between the hood support plates and the modified supports in the ceiling.
7. Make final adjustments as needed to ensure that the hood is level. Maintain tension on all the rods to ensure hood weight is evenly distributed.



## INSTALLATION continued

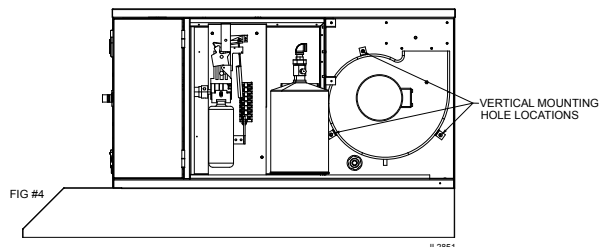
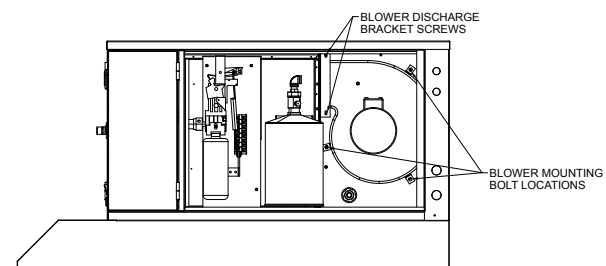
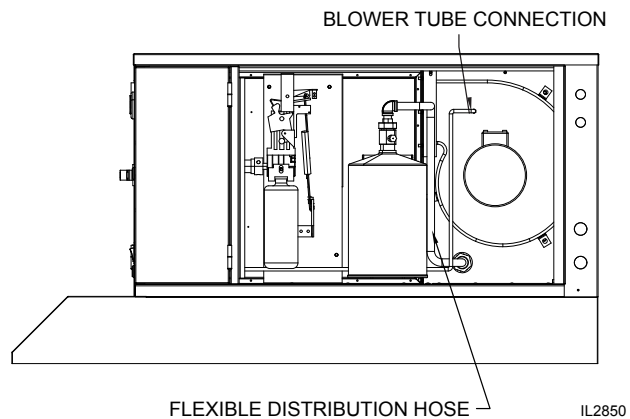
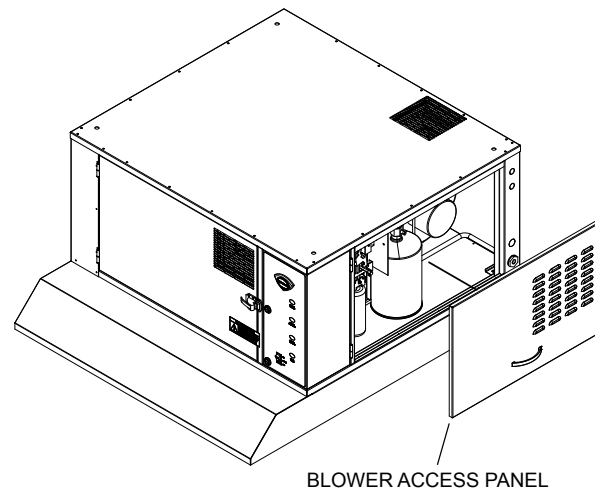
### DISCHARGE DIRECTION MODIFICATION

The unit comes configured for a front discharge, changing it to a top discharge can be accomplished by following these instructions. The unit comes with the Vertical Discharge Adapter Assembly & Close-Off Adapter Bracket, these parts can be re-acquired by purchasing pn N1-WL0645 from any authorized Well Servicer or directly from Wells by calling (314) 678-6314.



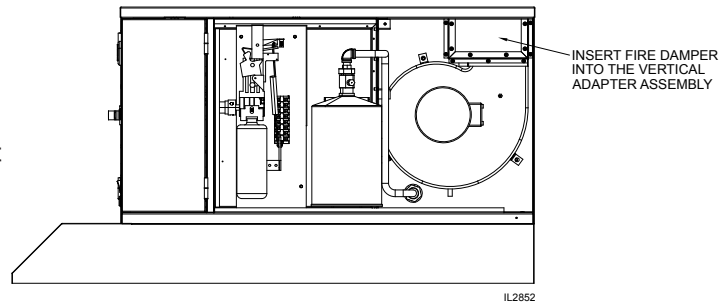
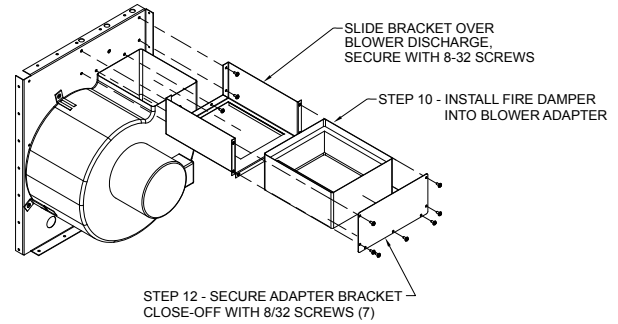
Before attempting to perform any maintenance or modifications: read instructions thoroughly & disconnect ventilator from power source.

1. Remove blower access panel
2. Disconnect clear flexible tube from the blower pressure tap. Remove flexible distribution tube from the tank and compression fitting. (See illustration #2)
3. First, remove the 2 screws securing the blower discharge bracket.
4. Remove 2 of the blower mounting bolts. Support the blower before removing the 3rd and final bolt.
5. Rest blower on deck panel while locating the vertical discharge adapter assembly.
6. Rotate the blower 90 deg. Clockwise until the discharge is in the vertical position. (See Fig. 4)
7. Locate vertical mounting hole locations on the blower panel and secure blower using previously removed mounting bolts.



## INSTALLATION

8. Install the vertical adapter at the discharge of the blower.
9. Secure adapter bracket use (6) 8-32 screws. (Not provided)
10. Remove the fire damper from the horizontal discharge and install it into the vertical discharge adapter assembly. *See Fig 5*
11. Reconnect discharge flex tubing and blower pressure switch tube. Verify that tubing is secure and tight.
12. Install adapter bracket close-off part # NI-Z18760. *See Fig 5*
13. Replace blower access panel
14. Reconnect power supply and verify unit operation.



# INSTALLATION



## DANGER: SUFFOCATION HAZARD

Do not attempt to use this ventilator with gas-fired units. This ventilator will not remove products of combustion. Unvented exhaust gasses can be deadly.



## WARNING SHOCK HAZARD

Electrical connections must be made by a licensed electrician.



## CAUTION: FIRE HAZARD HEALTH HAZARD

All cooking appliance must be connected to the cooking appliance contactor, the control circuit of which is controlled by the ventilator.

Failure to control cooking appliances will provide no protection in the event of a fire, nor will cooking vapors and odors be contained in the event of ventilator hood

## ELECTRICAL INSTALLATION

Refer to the nameplate on the ventilator. Verify ELECTRICAL SERVICE POWER. Voltage and phase must match the nameplate specifications, and available electrical service amperage must meet or exceed the listed amperage. Refer to specifications listed on page 1 of this manual.

The ground lug of this ventilator must be connected to a suitable building ground.

Open the front control panel to access the cooking appliance contactor and builgn alarm relay. Wire the cooking appliance control circuit to the terminal block per the figure below.

NOTE: It is the responsibility of the electrical contractor to provide suitable wiring, flexible or rigid conduit, and an appropriate strain relief.

### Electrical Connection

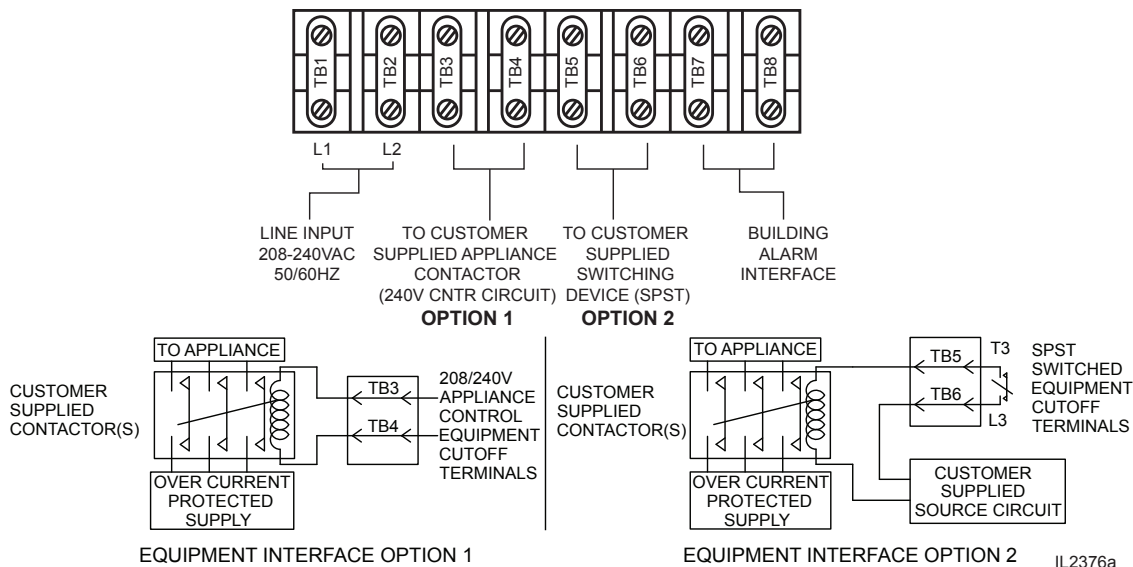
NOTE: The hood requires a single phase (1ph), 208 or 240 volt, 20 amp supply. When connecting line voltage to the unit's terminal block, use a minimum of #12 gage copper wire only, suitable for 167°F (76°C) ambient temperature.

### Appliance Connections

All under hood appliances are required to be interlocked with the hood's equipment cut-off circuit, through a customer supplied contactor. This contactor must be a UL listed, definite purpose AC resistive air heating type, suitable for the appliance load. Installation and connections shall be in accordance with the National Electric Code NFPA 70. These connections provide an automatic shutdown of the appliance when the hood is OFF, or in the event of a malfunction or appliance fire.

### Equipment Cutoff Connections

- Opt 1: Use TB#3 & TB#4 for 208 or 240 volt control circuit. These contacts will be de-energized when the hood is OFF or in the event of a malfunction
- Opt 2: Use TB#5 & TB#6 as a Normally Closed SPST relay connection for equipment control circuits with voltages other than 208 or 240 AC. These contacts will be open when hood is OFF or in the event of a malfunction.



M523 p/n 2M-Z17083 OpM WVC-46 Universal Hood

## INSTALLATION continued

The alarm relay is activated by the Ansul® fire detection system. If the installation includes a building alarm system, connect to terminals T7 & T8 of the terminal block in supply connection box. These terminals are configured from the factory for normally open operation.

The ventilator will operate properly, and the appliance control relay will be energized, only when:

1. The VENTILATOR POWER SWITCH is "ON".
2. The Ansul® Fire Suppression System is charged and armed.
3. All filters are in position and serviceable, and the ventilator air flow system is satisfied.

### FIRE SUPPRESSION SYSTEM INSTALLATION

THE FIRE SUPPRESSION SYSTEM is comprised of one container of Ansulex® Low pH liquid fire suppression media and a system pressurization canister, plus associated plumbing. Actuation controls are contained in the Automan enclosure.

The hood is not supplied with a field installed MANUAL PULL STATION, which must be set-up at the time of installation by an authorized Ansul® distributor.

The MANUAL PULL STATION allows for manual emergency shutdown of cooking appliance power, and actuation of the fire suppression system.

Three (3) NOZZLES disperse the fire suppression media. These nozzles protect the fan and plenum.

If the ventilator is situated such that the supplied manual pull station cannot be installed or is not readily accessible, a REMOTE MANUAL PULL STATION may be required by local codes. Any such remote manual pull station must be installed by an authorized Ansul® distributor in accordance with the AUTHORITY HAVING JURISDICTION.

The fire detection system utilizes one electronic thermal detector with an actuation set point of 275°F (135°C).

The signaling from the detection devices will automatically discharge the fire suppression media through all nozzles, disable the cooking appliances and cause the alarm to sound.

Fire suppression media will form an emulsion designed to both smother and cool the fuels in/on the cooking appliance.



### DANGER FIRE HAZARD

Fire suppression system must be charged and certified by an authorized Ansul® distributor.

**DO NOT** attempt to modify or bypass the fire suppression system.

An uncontrolled fire can cause serious injury or death.

#### NOTE:

If the fire suppression system is discharged, a buzzer will sound continuously. The unit will remain inoperable until the fire suppression system is serviced, recharged and reset by an authorized Ansul® distributor.

Charging of the Ansul® Fire Suppression system must be in accordance with Ansul® Design, Installation, Recharge and Maintenance Manual, #418087.

#### NOTE:

If a REMOTE MANUAL PULL STATION is installed, moving the ventilator for any reason may cause the Ansul® system to discharge.

#### IMPORTANT:

Should the fire suppression system discharge: all nozzles must be replaced, and all lines thoroughly cleaned, prior to recharging the system.

Residual fire suppression media may compromise the flow and dispersion of fire suppression media in any subsequent activation.

## INSTALLATION continued



**DANGER  
BURN HAZARD**

### FIRE SUPPRESSION SYSTEM INSTALLATION (continued)

The MANUAL PULL STATION and any similar REMOTE MANUAL

Any additional remote pull station must **NOT** be installed on the front of the cooking appliances,

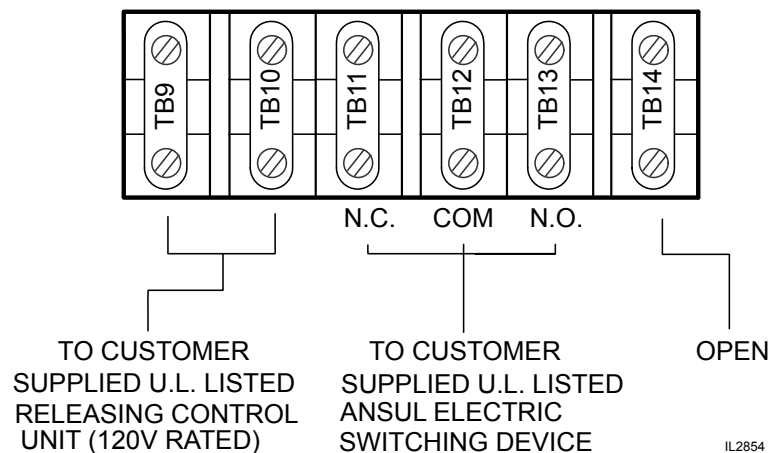
Discharge of the fire extinguishing system into hot grease or oil may cause hot foam to spill over from the cooking surface or frypot.

Serious burns and other injuries can result from contact with hot oil and from slipping in spilled oil.

PULL STATION will activate the fire suppression system when the ring on the pull station is pulled to its full extent.

The manual pull station is installed on the right side (facing the unit. It may, however, be relocated to the left side of the ventilator hood by an authorized Ansul® agent.

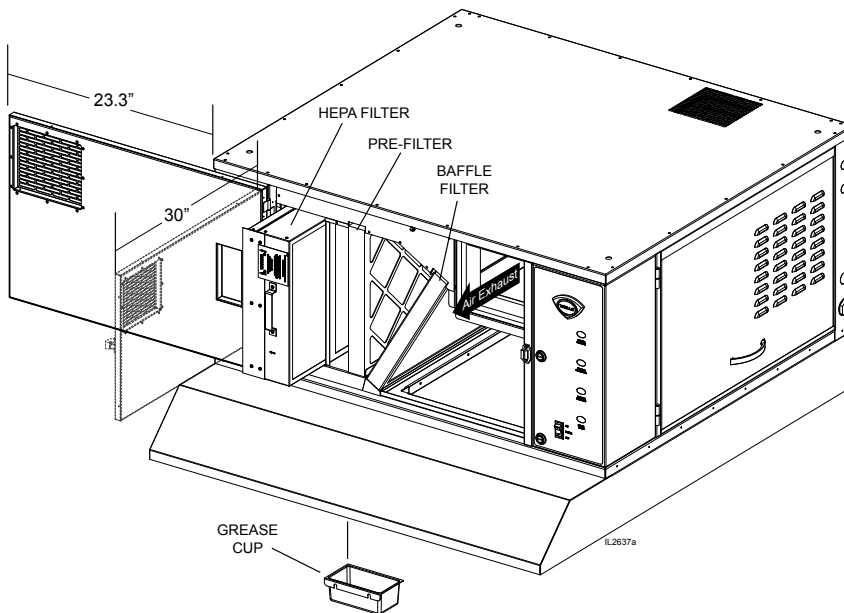
### DETECTION AND ACTIVATION CONNECTIONS MODEL WVC-46X (ONLY)



## INSTALLATION

### FILTER INSTALLATION

Note air flow direction arrow on filter pack. Remove old filter pack and slide new filter pack fully into the appropriate slot. Verify that the airflow arrow points toward the fan.



The baffle filter is reusable and should be cleaned at least weekly. Change the pre-filter and Hepa filter pack as indicated on the front panel. These filters are disposable and cannot be reusable. All filters are accessible through the front service door.

Use only genuine Wells replacement parts and filters, call (314) 678-6314 or your authorized Wells service agent. Parts supplied by others will void your warranty and may not provide safe operation.

### BAFFLE FILTER and GREASE CUP INSTALLATION

1. Install baffle filter from front. Engage the baffle filter in the retainer slot. Push up until the baffle filter bottom clears the lower lip of the retainer, then lower the baffle filter into the bottom retainer
2. Install GREASE CUP into brackets below the baffle filter.

**Note:** Failure to install the GREASE CUP will allow grease and moisture from the BAFFLE FILTER to drop into hot cooking surfaces, creating both a SAFETY HAZARD (hot oil splatter).

### NOTE:

The BAFFLE FILTERS, PRE-FILTERS and FILTER PACK actuate position switches when they are properly positioned. They must be properly installed for the under hood cooking appliance contactor to be energized.



### WARNING SLIP AND FALL HAZARD

**DO NOT** operate any grease-producing cooking appliance unless the grease cup is properly installed. Oil will drip onto floor creating a slipping hazard.



### CAUTION BURN HAZARD

**DO NOT** operate any cooking appliance unless the grease cup is installed.

Moisture dripping onto hot surfaces, oil or grease can cause splattering.

## OPERATION



### CAUTION: HOT SURFACE

Exposed surfaces can be hot to the touch and may cause burns.



### CAUTION: SHOCK HAZARD

DO NOT splash or pour water or grease onto control panel or wiring.

### IMPORTANT:

The ventilator cannot operate if the filter pack is removed or clogged.

It is the responsibility of the store management to maintain sufficient spares of filter packs to avoid prolonged shutdown of the ventilator when this filter is expended.

Filter packs cannot be cleaned.

Wells Manufacturing assumes no liability for loss of business due to filter related shutdown.

Filters that are not genuine Wells Replacement Parts may cause your unit to operate incorrectly and you will risk the possibility of voiding your warranty.

## Control Panel

NOTE: Cooking appliances must be operated in accordance with the manufacturer's instructions.

During normal operation, the illuminated power switch will be the only light on the control panel that will be ON.

If the CHECK FILTERS light illuminates, check BAFFLE FILTERS, PREFILTERS, and the HEPA AIR FILTERS for proper installation.

If the REPLACE PRE-FILTERS light illuminates .. Replace the Pre-filters.

If the REPLACE FILTER light illuminates, replace the FILTER PACK.

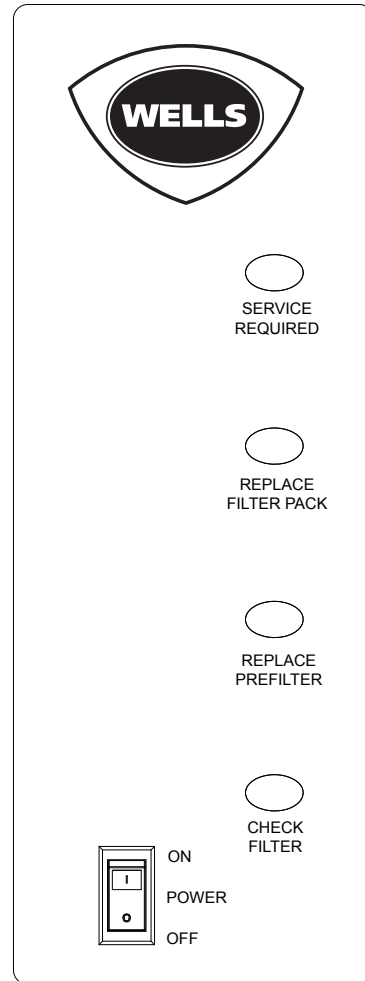
NOTE: the REPLACE FILTERS light is a warning that filter pack is nearing the end of its service life. The ventilator will continue to operate for a period of time after the REPLACE FILTER LIGHT turns ON to allow continued operation through a peak period. However, filter pack must be replaced within a short time period or it will clog, disabling the ventilator and appliances.

If the SERVICE REQUIRED light illuminates, the filter pack is restricted to the point of insufficient airflow for proper operation and the Ventilator will shut down until the underlying clogged filter situation has been corrected. Replace clogged item with a fresh filter to correct the condition. Reset the unit by turning VENTILATOR POWER SWITCH to OFF, then back to ON.

A failure of incoming electric power will cause a shut down of the unit. Reset the unit by turning VENTILATOR POWER SWITCH to OFF, then back to ON.

## Operation Lights

There are two equipment lights that provide illumination of the working area. These lights are controlled by the main power switch.



IL2638

## CLEANING INSTRUCTIONS

**PRECAUTIONS:** Disconnect unit from electric power and allow to cool  
Cover frypot to prevent oil contamination

**FREQUENCY:** Weekly

**TOOLS:** Mild detergent, clean non-abrasive towels

**NOTE:** Ventilator section to be cleaned in conjunction with cooking appliance. Refer to appliance user instructions for cleaning procedure.



### CAUTION: HOT SURFACE

Exposed surfaces can be hot to the touch and may cause burns. Allow unit to cool before cleaning.



### CAUTION: SHOCK HAZARD

**DO NOT** splash or pour water or grease onto control panel or wiring.

1. TURN HOOD POWER SWITCH TO OFF.  
Cover cooking appliance to prevent oil contamination.
2. Remove BAFFLE FILTERS and GREASE CUP(s).
3. Empty GREASE CUP(s) into an appropriate grease collection receptacle.
4. Clean BAFFLE FILTERS and GREASE CUP(s) in a sink or dishwasher using mild detergent and warm water.
5. Dry components with a clean non-abrasive cloth.  
Reinstall BAFFLE FILTERS and GREASE CUP(s) in ventilator.
6. Wipe exterior of ventilator with a clean cloth moistened with warm water and mild detergent. Rinse by wiping with a clean cloth moistened with warm water.
7. Uncover the cooking appliance and reconnect unit to electric power.

Procedure is complete

## CLEANING INSTRUCTIONS



### CAUTION: HOT SURFACE

Exposed surfaces can be hot to the touch and may cause burns. Allow unit to cool before cleaning.

**PRECAUTIONS:** Disconnect unit from electric power and allow to cool. Cover cooking surfaces and frypots to prevent contamination.

**FREQUENCY:** Monthly

**TOOLS:** Mild detergent, clean non-abrasive towels



### CAUTION: SHOCK HAZARD

DO NOT splash or pour water or grease onto control panel or wiring.

**NOTE:** Ventilator section to be cleaned in conjunction with cooking appliance. Refer to appliance user instructions for cleaning procedure.

### IMPORTANT:

DO NOT wash FILTER PACK. Washing these filters will clog them, and cause installed cooking appliance to be disabled.

1. TURN HOOD POWER SWITCH TO OFF.  
Cover cooking appliance to prevent oil contamination.
2. Remove BAFFLE FILTERS, GREASE CUP(s), and all FILTER PACK(s).
3. Wipe interior of ventilator with a clean cloth moistened with warm water and mild detergent. Rinse by wiping with a clean cloth moistened with warm water. DO NOT clean by spraying.
4. Dry ventilator thoroughly with a clean non-abrasive cloth.  
Reinstall all FILTERS, BAFFLE FILTERS, GREASE CUP(s).
5. Uncover the cooking appliance and reconnect unit to electric power.

### IMPORTANT:

DO NOT clean interior of ventilator by spraying.

Spraying can contaminate the cooking appliance, and may cause internal damage to the ventilator blower, operation proofing system and/or fire suppression system.

Clean by wiping only.

Procedure is complete

## REQUIRED MAINTENANCE

USE AND MAINTENANCE SHALL BE IN ACCORDANCE WITH THE STANDARD FOR VENTILATION CONTROL AND FIRE PROTECTION OF COMMERCIAL COOKING OPERATIONS, N.F.P.A. 96 (current edition).

### 3-MONTH MAINTENANCE:

Thoroughly clean entire HOOD PLENUM and BLOWER section.

### 6-MONTH MAINTENANCE:

Inspection and testing of total operation including FIRE DAMPER and all SAFETY INTERLOCKS shall be performed by qualified service personnel.

All FIRE SUPPRESSION SYSTEM actuation components including MANUAL PULL STATION and any REMOTE MANUAL PULL STATION must be inspected for proper operation in accordance with the maintenance schedule published in ANSUL® R-102 SYSTEM DESIGN, INSTALLATION, RECHARGE AND MAINTENANCE MANUAL (418087).

### ANNUAL (12-MONTH) MAINTENANCE:

NOZZLES and MANUAL PULL STATION must be cleaned in accordance with ANSUL® R-102 SYSTEM DESIGN, INSTALLATION, RECHARGE AND MAINTENANCE MANUAL (418087).

### 12-YEAR MAINTENANCE:

The FIRE SUPPRESSION AGENT TANK must be HYDROSTATICALLY TESTED, and the FIRE EXTINGUISHING AGENT must be REPLACED in accordance with the maintenance schedule published in ANSUL® R-102 SYSTEM (STANDARD UL 300 LISTED). This maintenance to be performed by qualified Ansul® service personnel only.

### IMPORTANT:

Per NFPS 96, a signed and dated VENTILATOR HOOD MAINTENANCE LOG must be maintained on the premises, and be made available for inspection by the authority having jurisdiction upon request.

### IMPORTANT:

Should the fire suppression system discharge, all lines and nozzles must be thoroughly cleaned prior to recharging the system.

Be sure to note such cleaning on the hood maintenance log. Residual fire suppression media may compromise the flow and dispersion of fire suppression media in any subsequent activation.

Inspection shall be conducted on a monthly basis in accordance with the manufacturer's Operation Manual. At a minimum, this inspection shall include verification of the following:

**WELLS BLOOMFIELD, LLC**  
VENTILATOR HOOD OWNERS MONTHLY INSPECTION LOG

<b>OPERATION</b>	<b>AGENT DATE</b>												
Extinguishing system components: In proper place and (visually in good order													
Manual pull station actuators for fire suppression system are obstructed													
The maintenance log is in place and up to date													
No obvious physical damage or condition exists that might prevent operation of the fire suppression system													
The nozzle blow-off caps are in place and in good condition													
The hood, duct and protection cooking appliance have not been replaced, modified or relocated													
Clean plenum GREASE BAFFLE and BLOWER (max. interval: 3 months)													
Change PRE-FILTER and FILTER PACK (as required)													

IL2144

This MAINTENANCE LOG is to be performed and completed by a trained technician who has completed the instruction necessary to perform the maintenance and recharge service.

**WELLS BLOOMFIELD, LLC**  
**VENTILATOR HOOD MAINTENANCE LOG**

<b>OPERATION</b>	<b>AGENT / DATE</b>											
Clean and inspect discharge nozzle in plenum BEFORE filters MAX. interval: 6 months												
Clean and inspect discharge nozzle in plenum AFTER filters MAX. interval: 6 months												
Inspect fire suppression detectors, all releasing devices for actuation, fire suppressant tank liquid level Max interval: 6 months (discharge of fire suppressant not a part of this test)												
Inspect fire suppression hoses, plumbing and tank for obstructions and any condition such as, but not limited to, corrosion and pitting. Max interval: 6 months												
Inspect and test all filter interlocks Max. interval: 6 months												
Replace fire damper fusible link: rated @ 212°F Max interval: 12 months												
	Log TEMP											
	Log mfg DATE Stamp											

IL2378a

THIS MAINTENANCE LOG MUST BE KEPT IN A PROTECTIVE COVER PERMANENTLY ATTACHED TO THE APPLIANCE  
 Log all repairs and recommendations on reverse side. Any repairs, other than replacement of factory authorized parts, to the fire suppression plumbing system must be subject to hydrostatic pressure testing.

**ANSULEX Low pH**

QUICK IDENTIFIER (In Plant Common Name)

Manufacturer's Name: <b>ANSUL INCORPORATED</b>	Emergency Telephone No.: <b>CHEMTREC (800) 424-9300 or (703) 527-3887</b>
Address: <b>One Stanton Street, Marinette, WI 54143-2542</b>	Other Information Calls: <b>(715) 735-7411</b>
Prepared By: <b>Safety and Health Department</b>	Date Prepared: <b>February 1, 1999</b>

**SECTION 1 - IDENTITY**

Common Name (Used on Label): <b>ANSULEX Low pH Liquid Fire Suppressant</b> (Trade Name and Synonyms)	CAS No.: <b>N/A</b>
Chemical Name: <b>N/A This is a Mixture</b>	Chemical Family: <b>Mixture</b>
Formula: <b>N/A</b>	

**SECTION 2 - INGREDIENTS**

<b>PART A - HAZARDOUS INGREDIENTS</b>				
Principal Hazardous Component(s) (chemical and common name(s)):	Wt. %	CAS No.	ACGIH TLV	Acute Toxicity Data
None	N/A	N/A	N/A	N/A
<b>PART B - OTHER INGREDIENTS</b>				
Other Component(s) (chemical and common name(s)):	Wt. %	CAS No.	ACGIH TLV	Acute Toxicity Data
Proprietary Mixture of Organic and Inorganic Salts	48.0 - 50.0	N/A	N/E	NDA
Phosphoric Acid	0.2	7664-38-2	N/E	NDA
EDTA	0.65	64--02-8	N/E	NDA
Yellow-Green Fluorescent Dye	0.011	518-47-8	N/E	Oral LD <sub>50</sub> (rat) 6800 mg/kg
Water	Approx. 50.0	7732-18-5	N/E	NDA

**SECTION 3 - PHYSICAL AND CHEMICAL CHARACTERISTICS (Fire and Explosion Data)**

Boiling Point: <b>113°C</b>	Specific Gravity (H <sub>2</sub> O=1): <b>1.33</b>	Vapor Pressure (mm Hg): <b>Not Determined</b>
Percent Volatile by Volume (%): <b>Approx. 50.0</b>	Vapor Density: (Air = 1): <b>1.03</b>	Evaporation Rate: (Butyl Acetate=1): <b>Approx. 0.005</b>
Solubility in Water: <b>100%</b>	Reactivity in Water: <b>Mild exothermic reaction</b>	
Appearance and Odor: <b>Fluorescent Yellow Colored Liquid, Mild Odor</b>		
Flash Point: <b>None to boiling</b>	Flammable Limits in Air % by Volume: <b>N/A</b>	Extinguisher Media: <b>N/A</b>
Auto-ignition Temperature: <b>N/A</b>		
Special Fire Fighting Procedures: <b>NONE - THIS IS AN EXTINGUISHING AGENT</b>		
Unusual Fire and Explosion Hazards: <b>None</b>		

**SECTION 4 - PHYSICAL HAZARDS**

Stability: Unstable <input type="checkbox"/> Stable <input checked="" type="checkbox"/>	Conditions to Avoid: <b>N/A</b>
Incompatibility (Materials to Avoid): <b>Reactive Metals, ClF<sub>3</sub>, electrically energized equipment, any material reactive with water.</b>	
Hazardous Decomposition Products: <b>Not established, acrid fumes.</b>	
Hazardous Polymerization: May Occur <input type="checkbox"/> Will Not Occur <input checked="" type="checkbox"/>	Conditions to Avoid: <b>N/A</b>

M523 p/n 2M-Z17083 OpM WVC- Universal Hood

**SECTION 5 - HEALTH HAZARDS**

**ANSULEX Low pH (continued)**

Threshold Limit Value:	None Established		
Routes of Entry: Eye Contact:	Irritant		
Skin Contact:	Irritant		
Inhalation:	Not an expected route of entry. Can be irritating to mucous membranes.		
Ingestion:	Irritating to mucous membranes. Acute Oral LD <sub>50</sub> (Sprague-Dawley rats) 825.5mg/kg.		
Signs and Symptoms:	Acute Exposure: Material irritates skin, eyes, and mucous membranes. Chronic Exposure: None known.		
Medical Conditions Generally Aggravated by Exposure:	None known.		
Chemical Listed as Carcinogen or Potential:	National Toxicology Program: Yes <input type="checkbox"/> No <input checked="" type="checkbox"/>	I.A.R.C Monographs: Yes <input type="checkbox"/> No <input checked="" type="checkbox"/>	OSHA: Yes <input type="checkbox"/> No <input checked="" type="checkbox"/>

**SECTION 6 - EMERGENCY AND FIRST AID PROCEDURES**

Eye Contact:	Flush and irrigate with water for 15 minutes while holding eyelids open. If irritation persists, seek medical attention.
Skin Contact:	Wash thoroughly with soap and water. If irritation persists, seek medical attention.
Inhalation:	Fresh air if symptoms occur. If irritation persists, seek medical attention.
Ingestion:	Dilute by drinking large quantities of water.

**SECTION 7 - SPECIAL PROTECTION INFORMATION**

Respiratory Protection (Specify Type):	N/A		
Ventilation:	Local Exhaust: N/A	Mechanical (General):	N/A
Protective Gloves:	Rubber gloves for spill/leak	Eye Protection:	Chemical goggles recommended during spill/leak procedures.
Other Protective Clothing or Equipment:	Eye wash and safety showers are good safety practice.		

**SECTION 8 - SPECIAL PRECAUTIONS AND SPILL/LEAK PROCEDURES**

Precautions to be taken in Handling and Storage:	Store in original container. Keep tightly closed. Keep separate from acid.
Other Precautions:	See incompatibility information in Section 4.
Steps to be taken in Case Material is Released or Spilled:	Stop leaks. Contain spills. Remove as much as possible. Place in closed container for proper disposal. Wash spill area with large amounts of water to remove traces and neutralize.
Waste Disposal Methods:	Dispose of in compliance with local, state and federal regulations.

**HAZARDOUS MATERIAL IDENTIFICATION SYSTEM**

<b>HAZARD INDEX</b>	
4 SEVERE HAZARD	0 HEALTH
3 SERIOUS HAZARD	
2 MODERATE HAZARD	0 FLAMMABILITY
1 SLIGHT HAZARD	
0 MINIMAL HAZARD	0 REACTIVITY

N/A = Not Applicable      NDA = No Data Available      N/E = Not Established  
ANSUL and ANSULEX are registered trademarks.

Internet Address: <http://www.ansul.com>

ANSUL INCORPORATED, ONE STANTON STREET, MARINETTE, WI 54143-2542

Form No. F-90160-6

©1999 Ansul Incorporated

M523 p/n 2M-Z17083 OpM WVC- Universal Hood

## TROUBLESHOOTING SUGGESTIONS

Problem	Possible Cause	Suggested Remedy
Unit will not operate (no indicators lights lit)	Disconnected from electric power	Reconnect to electric power Reset circuit breaker for unit
Unit will not operate (buzzer sounds)	Fire suppression system not set	Contact an authorized Ansul® distributor for repairs
CHECK FILTER light lit	Filter pack, Pre-filter or baffle filter not in position	Properly install filters
REPLACE FILTER light lit	Filter nearing end of service life	Arrange to replace filters in a timely manner
SERVICE REQUIRED light lit (cooking appliance not operating)	Filter pack plugged	Replace filter pack
	Fire damper in exhaust collar has closed	Contact an authorized Wells service agent for repairs
	One or more vacuum sensing lines or ports plugged, or sensing line dislodged.	Contact an authorized Wells service agent for repairs
	<b>NOTE:</b> If, after 20 seconds, there is insufficient airflow for proper operation, SERVICE REQUIRED light will illuminate and under-hood appliance (s) will be de-energized.  Press VENTILATOR POWER SWITCH to <i>OFF</i> , then back to <i>ON</i> to reset system.	

**NOTE:**

FILTERS are the only user serviceable components in this ventilator hood system. For all problems that cannot be remedied by servicing the filters, contact:

- Ventilator section - authorized Wells service agency
- Fire suppression system - authorized Ansul® distributor

**IMPORTANT:**

Contact ANSUL® for fire suppression system installation, set-up and service:

Ansul Incorporated                      1-800-TO-ANSUL (1-800-862-6785)  
 One Station Street  
 Marinette, WI 54143-2542    website <http://www.ansul.com>

**IMPORTANT:**

Parts used in the Ansul® fire suppression system are not serviceable by the owner/operator.

Procedures for servicing fire suppression equipment are described in:

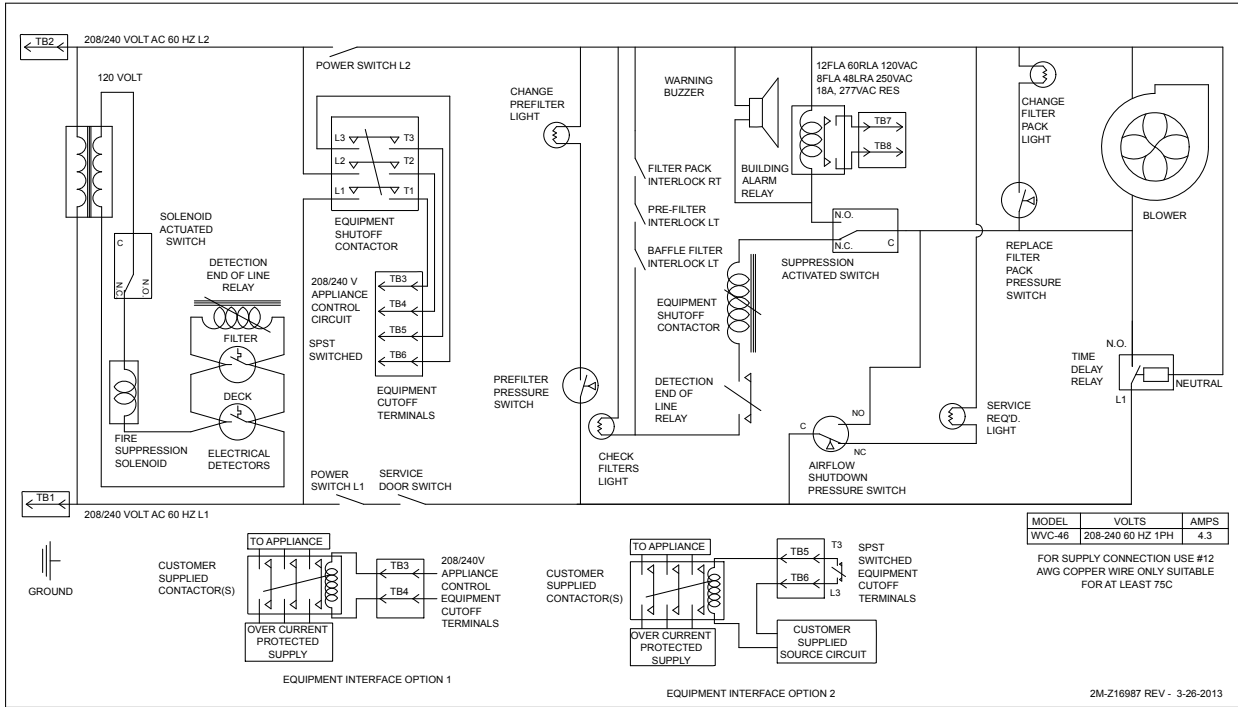
*ANSUL® R-102 SYSTEM DESIGN, INSTALLATION, RECHARGE AND MAINTENANCE MANUAL*  
 (418087, current edition)

**NOTE:**

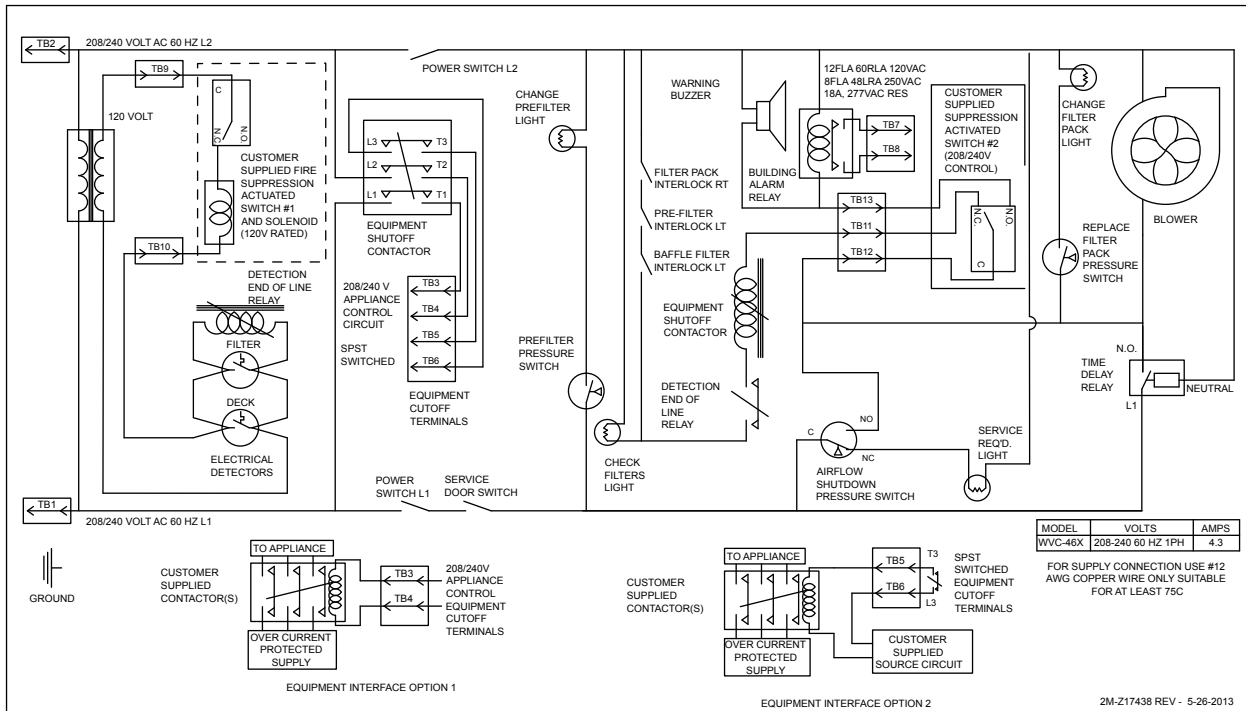
ANSUL® Manual 418087 is intended for use by authorized Ansul® service personnel only.

# WIRING DIAGRAM

## WVC-46



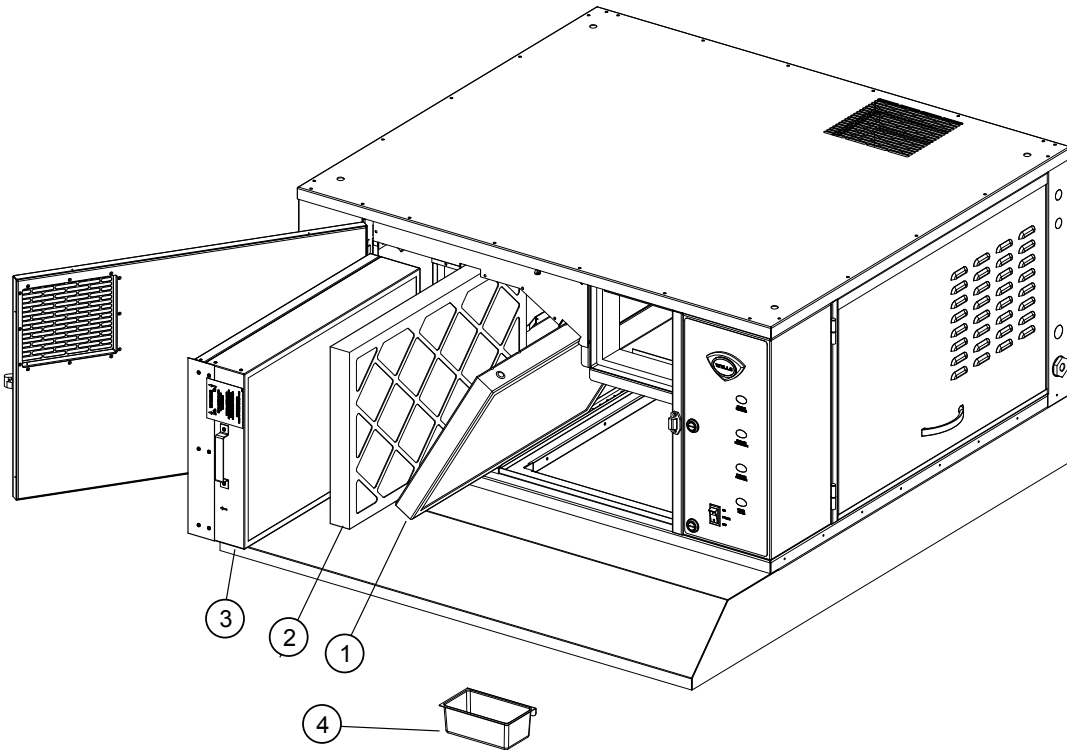
## WVC-46X

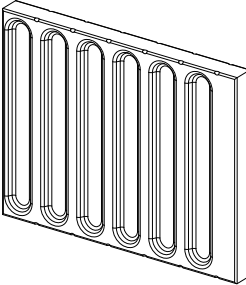
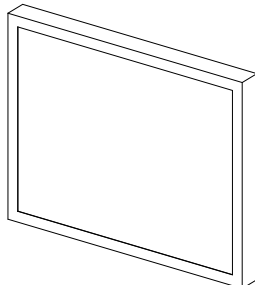
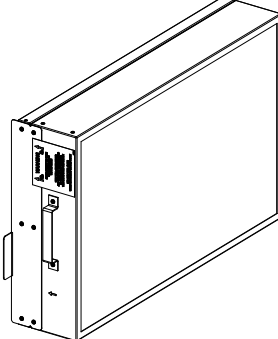
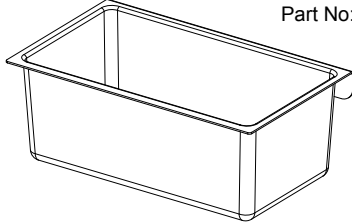


M523 p/n 2M-Z17083 OpM WVC-46 Universal Hood

# EXPLODED VIEW & PARTS LIST

## Filter Maintenance



<p>①</p>  <p>Baffle Filter: 16" x 20" Part No: 2I-Z16860</p>	<p>②</p>  <p>Pre-Filter Hood Part No: 2I-Z16882</p>
<p>③</p>  <p>Filter HEPA/Carbon Pack Part No: N1-WL0378</p>	<p>④</p>  <p>Grease Cup Part No: 2D-Z14672</p>

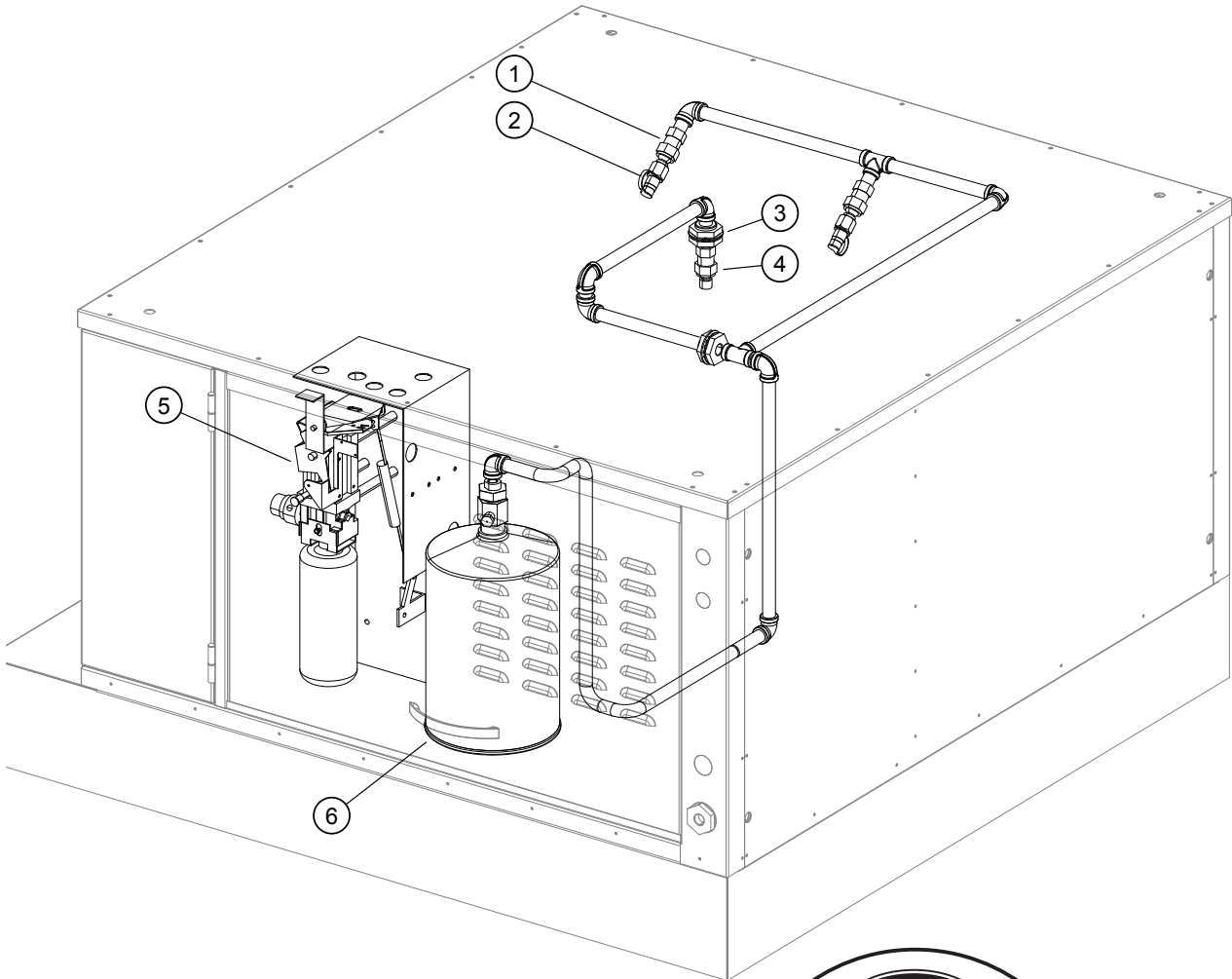
Model: WVC-46 Maintenance Parts

SK2655 Rev. B, 8/06/2015

M523 p/n 2M-Z17083 OpM WVC-46 Universal Hood

## EXPLODED VIEW & PARTS LIST

### Suppression System



Model: WVU-46 Ventless Hood System  
Suppression System

SK2657

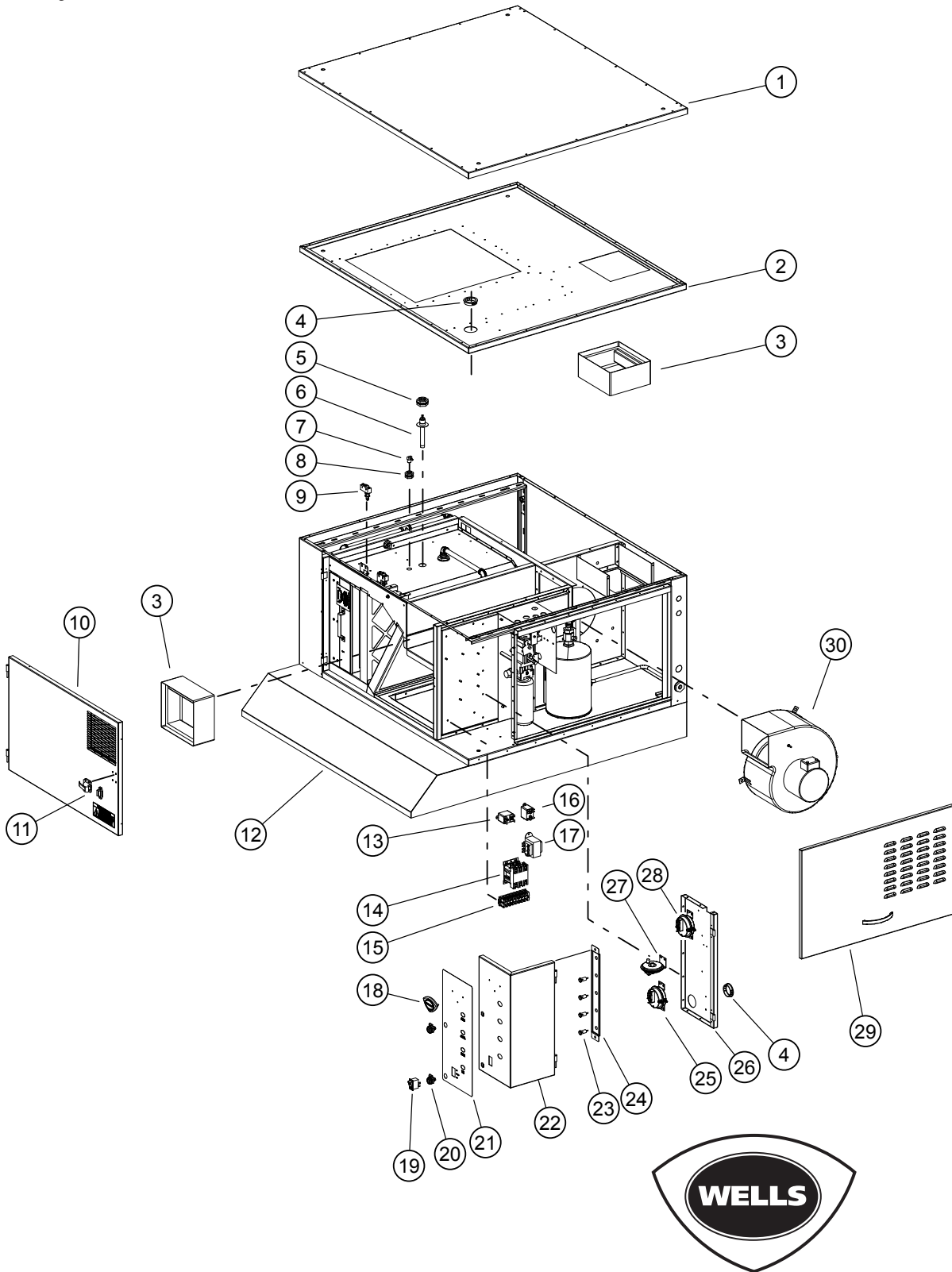
Rev. - 5/28/13

#### WVC-46, Suppression System

Fig No	Part Number	Qty	Description
1	20-307481	3	ADAPTER SWIVEL ANSUL
2	20-Z14574	2	NOZZLE, #245
3	2K-47269	3	ADAPTER 3/8IN QUICK CON A
4	20-302931	1	NOZZLE 1 W
5	20-Z15341	1	REGULATED ELEC. RELEASE
6	20-304433	1	TANK SS ANSULEX 1.5 GALLON

# EXPLODED VIEW

## Main Assy



Model: WVU-46 Ventless Hood System  
Main Assy

SK2656

Rev. A

1/08/16

M523 p/n 2M-Z17083 OpM WVC-46 Universal Hood

## PARTS LIST

### Universal Hood Internal Control

WVC-46, MAIN ASSY			
Fig No	Part Number	Qty	Description
1	N1-Z16878	1	PANEL, TOP COVER
2	N1-Z16877	1	TOP PANEL
3	2V-307913	1	DAMPER FIRE 8X9 WVU
4	2K-Y8571	2	BUSHING SNAP 2 1/8
5	2K-47269	3	ADAPTER 3/8IN QUICK CON A
6	2T-Z16137	1	THERMAL DETECTOR-275F
7	2K-Z15502	1	FTG, 90DEG ELBOW, 3/16x1/4
8	2K-47100	1	ADAPTER 1/4IN QUICK CON
9	2E-300407	4	SWITCH MANUAL ADVANCE ROT
10	N1-WL0375	1	FILTER ACCESS DOOR ASM
11	2R-Z16885	1	DOOR LATCH
12	N1-WL0387	1	SKIRT ASSEMBLY
13	2E-Z15353	1	RELAY, 120V COIL, SPNO
14	2E-Z14960	1	CONTACTOR, 40A
15	N1-Z16862	1	TERMINAL BLOCK ASSY
16	2E-44514	1	RELAY 208-240V COIL
17	2E-Z15335	1	TRANSFORMER, 208/240
18	2M-306719	1	LOGO WELLS DIECAST SHIELD
19	2E-305295	1	SWITCH ROCKER 250V 10A GR
19	2R-Z14532	2	CAM LATCH, SLOTTED
21	2M-Z16744	1	GRAPHIC PANEL
22	N1-WL0379	1	CONTROL PANEL DOOR W/
23	2J-Z15354	4	LIGHT SIGNAL, CLEAR LED
24	N1-Z15418	1	MOUNTING PLATE, CTRL LIGHT
25	2E-Z16857	1	SWITCH, PRESSURE, UNIT SHUTDOWN
26	N1-Z16875	1	PANEL, PS MOUNTING
27	2E-Z16855	1	SWITCH, CHANGE PREFILTER
28	2E-Z16856	1	SWITCH, CHANGE HEPA PACK
29	N1-WL0382	1	BLOWER DOOR ASM
30	2U-Z14025	1	BLOWER ASSY 208/240 1P CW

**NOTE**

**NOTE**

M523 p/n 2M-Z17083 OpM WVC-46 Universal Hood

**NOTE**

## PARTS & SERVICE

DESCRIPTION

PART NO.

IMPORTANT: Use only factory authorized service parts and replacement filters.

For factory authorized service, or to order factory authorized replacement parts, contact your Wells authorized service agency, or call:

Wells Manufacturing  
265 Hobson Street  
Smithville, Tennessee 37166 U.S.A.

Service Dept.  
phone: (314) 678-6314  
fax: (314) 781-2714

Service Parts Department can supply you with the name and telephone number of the WELLS AUTHORIZED SERVICE AGENCY nearest you.

### CUSTOMER SERVICE DATA

please have this information available if calling for service

RESTAURANT \_\_\_\_\_ LOCATION \_\_\_\_\_

INSTALLATION DATE \_\_\_\_\_ TECHNICIAN \_\_\_\_\_

SERVICE COMPANY \_\_\_\_\_

ADDRESS \_\_\_\_\_ STATE \_\_\_\_\_ ZIP \_\_\_\_\_

TELEPHONE NUMBER (\_\_\_\_)\_\_\_\_-\_\_\_\_\_

EQUIPMENT MODEL NO. \_\_\_\_\_ EQUIPMENT SERIAL NO. \_\_\_\_\_

VOLTAGE: (check one)  208  240



**SERVICE TRAINING - QUALITY SERVICE**



**CUSTOMER SATISFACTION**



**WELLS MANUFACTURING**  
265 Hobson Street, Smithville, Tennessee 37166  
telephone: 314-678-6314  
fax: 314-781-2714  
[www.wells-mfg.com](http://www.wells-mfg.com)