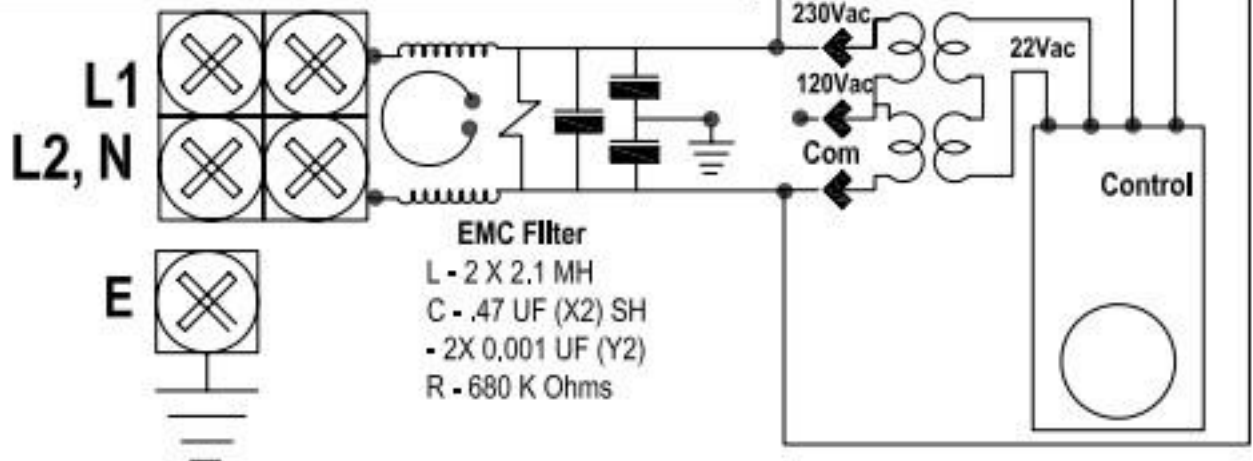


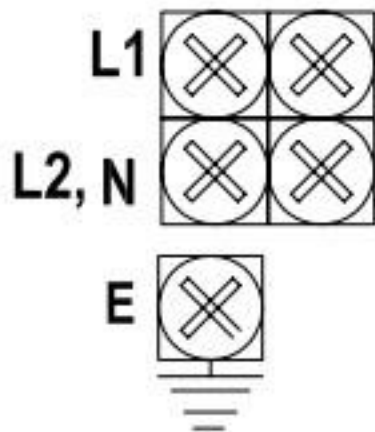
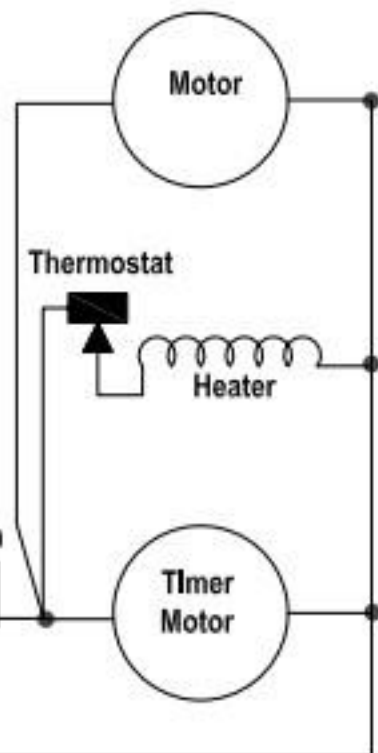
World Dryer Electrical Schematic With EMC Filter 230V 50Hz Export Models

| | | |
|--|--|---|
| Caution: Route Wires Away From Moving Parts | Precaucion: Mantener El Alambrado De Campo Aislado De Las Partes En Movimiento | Attention: Monter Les Fils Du Chant Derriere Les Pieces Mouvantes |
|--|--|---|



World Dryer Electrical Schematic With EMC Filter 230V 50Hz Export Models

| | | |
|--|--|---|
| Caution: Route Wires Away From Moving Parts | Precaucion: Mantener El Alambrado De Campo Aislado De Las Partes En Movimiento | Attention: Monter Les Fils Du Champ Derriere Les Pieces Mouvantes |
|--|--|---|



EMC Filter
 L - 2 X 2.1 MH
 C - .47 UF (X2) SH
 - 2X 0.001 UF (Y2)
 R - 680 K Ohms

