

Model A Recessed ADA Compliant Heavy Duty Hand Dryer

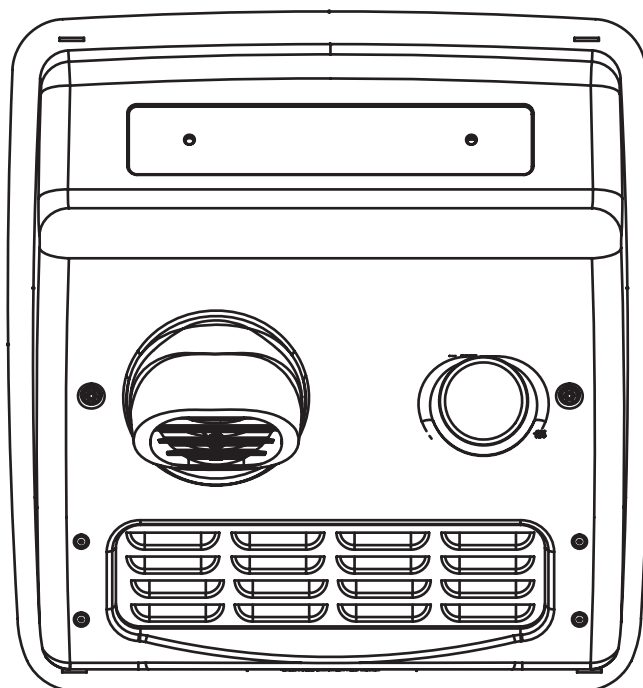
**Secamanos Empotrado Resistente Modelo A Compatible con ADA
Sèche-mains robuste à montage encastré, modèle A, conforme ADA**



All XRA, RA Series

Todos los Modelos de las Series XRA y RA

Toutes les modèles de série XRA et RA



Please read and save these instructions. Read carefully before attempting to assemble, install, operate or service the product described. Protect yourself and others by observing all safety information. Failure to comply with instructions could result in personal injury and/or property damage. Retain instructions for future reference.

Por favor lea y guarde estas instrucciones. Léalas cuidadosamente antes de tratar de montar, instalar, operar o dar mantenimiento al producto aquí descrito. Protéjase usted mismo y a los demás observando toda la información de seguridad. No seguir las instrucciones puede ocasionar daños, tanto personales como materiales. Guarde estas instrucciones para referencia en el futuro.

Lire et conserver ces instructions. Les lire attentivement avant de commencer à assembler, installer, faire fonctionner, réparer ou entretenir l'appareil décrit. Pour se protéger et protéger autrui, observer toutes les consignes de sécurité. Le fait de négliger d'appliquer ces instructions peut entraîner des blessures et/ou des dommages matériels. Conserver ces instructions pour consultation ultérieure.



WORLD DRYER

World Dryer Corporation

5700 McDermott Drive
Berkeley, IL 60163 U.S.A.
800-323-0701
www.worlddryer.com

Description

World Dryer recess mounted, ADA compliant warm air hand dryer, powered by a high speed universal motor, delivering 2300 Watts of drying power. This hand dryer runs on 115 Volts AC, 208/220-240 Volts AC, or 277 volts AC electrical supply, depending on model. Automatic and push-button models are represented in this product group. This appliance is intended for use in hand drying, contributing to hygienic and cost effective hand sanitation. This hand dryer may be used in commercial, industrial, office and public facility environments.

General Specifications

Basic Models	Nozzle	Drying Cycle	Dimensions (WxDxH)	Weight	Cover Material
DXRA	Fixed	Automatic	13.1" x 13.8" x 4" 333 mm x 351 mm x 102 mm	26.5 lbs / 12 kgs	Stainless Steel
XRA	Fixed	Automatic	13.1" x 13.8" x 4" 333 mm x 351 mm x 102 mm	35 lbs / 15.9 kgs	Cast Iron
RA	Fixed*	30 Seconds	13.1" x 13.8" x 4" 333 mm x 351 mm x 102 mm	35 lbs / 15.9 kgs	Cast Iron

(*) Rotating Nozzle Option

Electrical Specifications

Models	Type	Electrical Input	Amperage	Watts
(D) XRA5	Automatic	115 VAC, 60 Hz	20	2300
RA5	Push-button	115 VAC, 60 Hz	20	2300
(D) XRA54	Automatic	208-230 VAC, 60 Hz	10	2300
RA54	Push-button	208-230 VAC, 60 Hz	10	2300
(D) XRA548	Automatic	220-240 VAC, 50 Hz	10	2300
RA548	Push-button	220-240 VAC, 50 Hz	10	2300

(cULus Listed, E19860, CE TUV-GS)

General Safety Information



DANGER

Failure to disconnect the power source before installation or servicing can result in serious injury or death from electric shock.

- Always disconnect the power source before servicing or installing the hand dryer.



DANGER

Failure to properly ground this unit could result in severe electrical shock and/or death.

- This hand dryer must be properly grounded (Earthed) for safe operation. An identified ground connection point is supplied on the hand dryer's wall base.
- We recommend GFCI protection in wet or damp locations or as required by local code.



WARNING

Risk of fire, personal injury or property damage are possible if local codes, NEC codes or safety recommendations are not followed.

- Use only the electrical power (voltage and frequency) specified for the model hand dryer being installed.
- Connect the hand dryer to the nearest suitable distribution panel.
- To limit a voltage drop, and insure efficient operation, use wire gauge as required by local or National Electrical Code.
- Do not connect to a branch circuit with CB or fuse protection over 20 Amps. This is in compliance with The National Electrical Code #210-20.
- All automatic model hand dryers must have a dedicated 20 Amp circuit as required by Underwriters Laboratories, Inc. (UL).
- Route all field wiring away from any moving parts within the hand dryer.



CAUTION

Improper mounting could result in personal injury or property damage.

Unpacking

1. Remove all packing material. Recycling is recommended.
2. Carefully remove the hand dryer from the shipping carton, using care not to drop the appliance.
3. Inspect carefully for any damage that may have occurred during transit. Check for any loose, missing or damaged parts. If the hand dryer is damaged, promptly inform the shipper or dealer where you purchased it.

Installation

IMPORTANT: Consult local and general regulations before performing dryer installation. Make certain that the electrical network is not overloaded. Do not connect to a branch circuit with a circuit breaker or fuse rated over 20 Amps. This is a UL recommendation and complies with NEC #210-20.

A) DISCONNECT THE POWER SOURCE.

B) Fit and Finish Precautions;

- 1) Mount the hand dryer wall box at the recommended height per Table #1.
- 2) Mount the wall box flush - to a maximum of 1/8" (3.2mm) below the finished wall surface for a proper recessed fit.
- 3) Caulking is recommended AFTER installation of the aluminum base assembly for a finished look and to help keep water out of the appliance. (Caulking before installation may create a fit problem.)

C) Mounting the Steel Wall Box;

CAUTION: Proper installation requires that the base be installed into the steel wall box supplied.

- 1) Locate the steel wall box in the wall at the desired position, having the lower edge of the box at the selected height specified in Table #1.
- 2) When two or more dryers are installed, they should be spaced 24" (61cm) minimum from center to center.
- 3) To mount the wall box, frame the opening in the wall per Figure #1.
- 4) Allow an opening in the framing to correspond with the preferred wall box knock-out for easy access of electrical conduit.
- 5) Mount the wall box in the opening. Fasten with No.10 (M5) wood screws or appropriate fasteners as required.
- 6) Using the nearest suitable distribution panel, run conduit.
- 7) To limit voltage drop for efficient operation, use No. 12 wire or larger as required by local electrical code or NEC.
- 8) Automatic hand dryers require dedicated 20 amp circuits to avoid unattended starting due to voltage fluctuations. This includes avoiding switched lighting circuits or other circuits where equipment may be switched on / off.
- 9) Provide a minimum length of 24" (61cm) of wire in the wall box to allow easy connection to the dryer terminals.

D) Mounting the Dryer in the Wall Box;

- 1) Remove all shipping / packing material including the protective rubber corner squares if present on the dryer cover.
- 2) Use the security allen wrench supplied, to remove the (2) cover mounting screws. Remove the cover from the dryer base assembly.

CAUTION: should be exercised when handling porcelain enameled cast iron covers. Do not drop or hit against hard surfaces to avoid damaging the porcelain enamel.

- 3) Insert the base assembly in the pre-mounted wall box.
- 4) Facing the dryer, the blower housing will be on the left side as installed.
- 5) Fasten the base to the wall box with (4) 1/4-20 screws supplied.

- 6) Route the wires through the openings in the base assembly.
- 7) Connect field wires to the terminal block identified as (L / N, L1 / L2).
- 8) Securely connect a confirmed ground wire to the ground screw point.

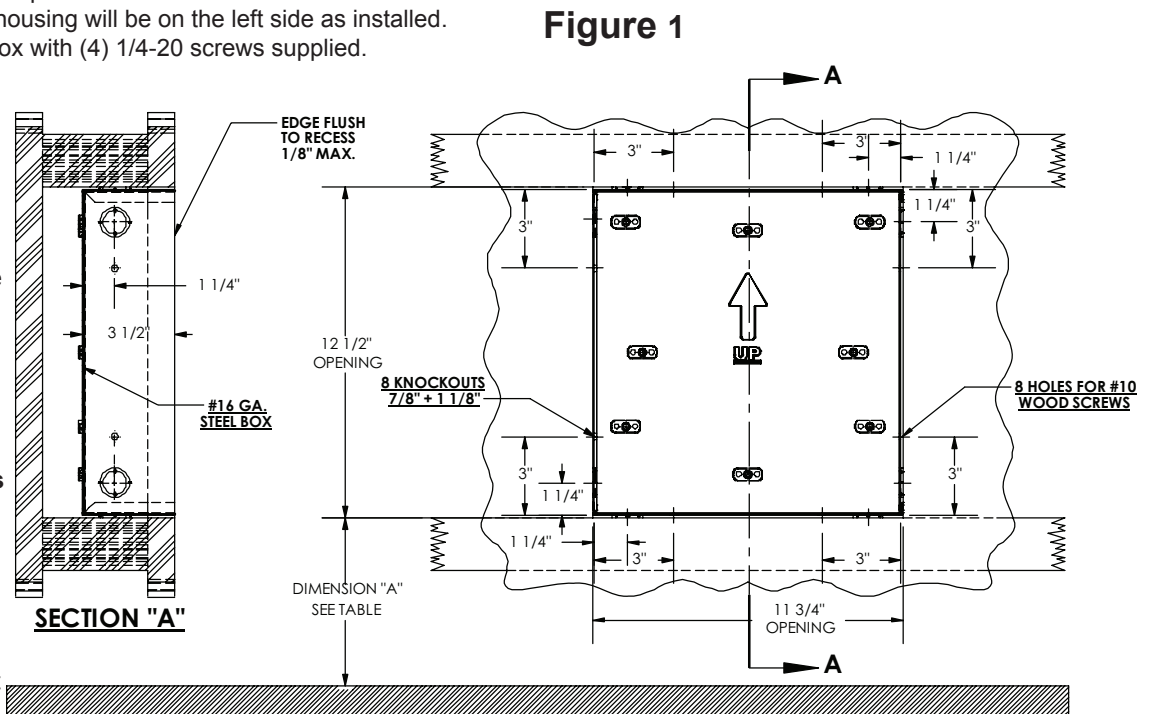
⚠ DANGER: This hand dryer must be properly earth connected (grounded).

⚠ CAUTION: Route field wires away from any moving parts or sharp edges.

- 9) Install the Hand Dryer Cover with the (2) mounting screws. To avoid chipping the porcelain enamel, do not over-tighten.

Table 1

Recommended Mounting Heights from Floor to Dryer Bottom Edge	in. (cm.)
Men's washrooms	42 (107)
Women's washrooms	40 (102)
Children's washrooms, ages 4-7	28 (71)
Children's washrooms, ages 7-10	32 (81)
Children's washrooms, ages 10-13	36 (91)
Children's washrooms, ages 13-17	40 (102)
Handicap Mounting Height	34 (86)

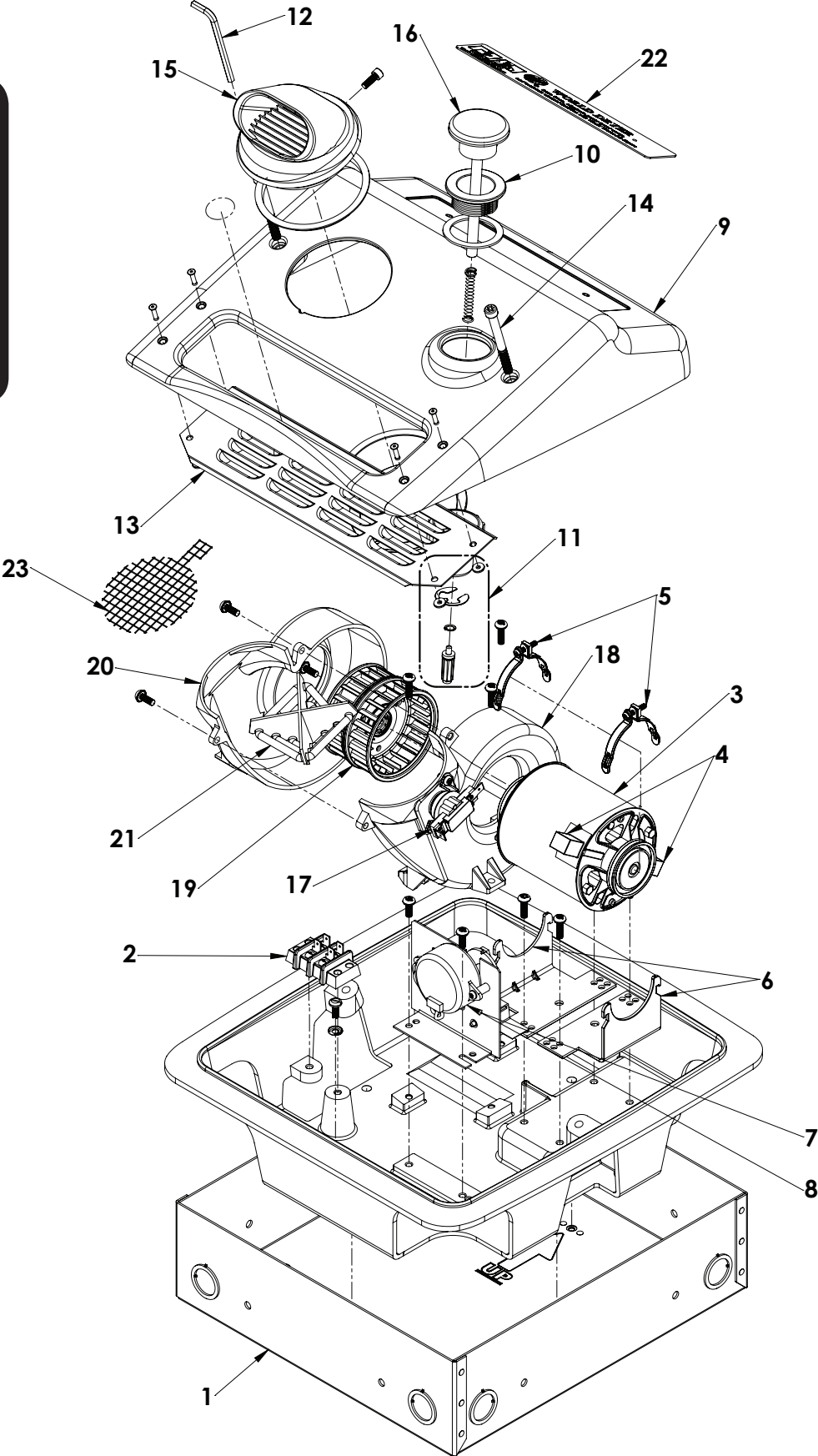


INSTALLATION MUST BE PERFORMED BY QUALIFIED ELECTRICAL PERSONNEL.

Parts List

Figure 2 - Repair Parts List For Hand Dryers

For Repair Parts, visit www.WorldDryer.com.
Please provide following information:
Model number
Serial number
Part description and number shown in parts list



#	Description	Part Number	Qty.
1	Wall Box (All)	17-034	1
2	Terminal Block (All)	156-3	1
3	Motor (D)XRA5, RA5	210K	1
3	Motor (D)XRA54, RA54, (D)XRA548, RA548, (D)XRA57, RA57	210AK	1
4	Motor Brush	206NL	2
5	Motor Mounting Strap	110-4A	2 sets
6	Motor Mounting Brackets	110-4	2
7	Micro Switch Only RA (All)	143F	1
8	Switch Timer Unit RA5	225	1
8	Switch Timer Unit RA54	225A	1
8	Switch Timer Unit RA548	225M	1
8	Switch Timer Unit RA57	225A7	1
9	Cover Complete, Cast Iron, Automatic, White XRA (All)*	703XA	1
9	Cover Complete, Cast Iron, Push-button, White RA (All)*	703A	1
9	Cover Complete, Stainless Steel , Automatic, Brushed DXRA (All)*	713DXA	1
10	Push-button Adapter, Gasket and Bushing Unit RA (All)	190K	1
11	Push-button Retaining Ring, Insulated Push Rod Tip, and Spring Kit RA (All)	193K	1
12	Security Allen Wrench, Cast Iron Cover	204TP	1
12	Security Allen Wrench, Steel Covers	56-006565	1
13	Inlet Grill, Cast Iron, Push-button, with Mtg. Hardware RA(All)	194-3K	1
△13	Inlet Grill, Cast Iron, Automatic, with Mtg. Hardware XRA(All)	194-3XRAK	1
14	Tamper Proof Cover Screw, Cast Iron Covers XRA, RA (All)	100B3	1
14	Tamper Proof Cover Screw, Steel Covers DXRA (All)	46-005023	1
15	Nozzle Assembly Kit	34-173K	1
16	Push-button Assembly Kit (Knob, Rod, Ring, Spring and Tip) RA (All)	185K	1
17	Thermostat Only 3/4"	1111-03	1
18	Blower Scroll Half with Base Mount and Thermostat	211PA	1
19	Fan Metal	101i	1
20	Blower Scroll Half - Left Side	112P	1
21	Heating Element (D)XRA5, RA5	213	1
21	Heating Element (D)XRA54, RA54, (D)XRA548, RA548	213A4	1
21	Heating Element (D)XRA57, RA57	213A7	1
22	Nameplate, Push-button RA (All) *	38-223	1
22	Nameplate, Automatic (D)XRA (All) *	38-224	1
23	Grid, Ground Assy (All)	12-001	1
△	Automatic Sensor Control - 115V, (D)XRA5	16-230-120 RAK	1
△	Automatic Sensor Control - 208-230V, (D)XRA54	16-240-208 RAK	1
△	Automatic Sensor Control - 220-240V, 50 Hz CE Only (D)XRA548	16-230-240 CEK	1
△	Automatic Sensor Control - 277V, (D)XRA57	16-240-277RAK	1
△	Fuse, Holder Assy, 277 V (D)XRA57, RA57	100F4A	1
△	Fuse, 1 Amp #FNQ-1, 277V (D)XRA57, RA57	100E3	1

* Specify model when ordering.

△ Not shown.

Maintenance

NOTE: Disconnect The Power Before Performing Any Of The Following

CLEANING INSTRUCTIONS:

Read complete Instructions before proceeding. Under normal use, cleaning the Dryer once a year will keep it in good operating condition. If the washroom traffic is heavier than normal, the cleaning should be done every 6 months. Lint and dust build up inside the dryer can result in damage to motor and heating element as well as hot emissions that could injure the user.

1. Remove two cover mounting screws from dryer cover using security Allen wrench provided. Support cover while removing screws.
2. Remove three (3) side screws holding blower housing together. Note position of heating element and protective screen. The lead wires are directed through the clearance hole in the blower housing halves. Carefully remove the heating element however, do not disconnect the wires.
3. Clean blower wheel halves using a 1/2" diameter radial bristle brush. Insert brush through space between individual blades and dislodge dirt. Do not bend or damage blades.
4. Vacuum out dirt from blower and housing, reposition heating element, protective screen and housing half and replace three (3) side screws. Tighten gently making sure that mica heating element pieces are positioned in housing slots with connecting wires passing through blower housing hole.
5. Use soft-medium bristle 1/2" paint brush to clean dust and dirt from motor and switch timer. Do not bend switch blade when cleaning.
6. Use a stiff brush to clean dirt from inside of nozzle grill and inlet grill. Water may be necessary to flush dirt from inlet grill. Dry inside of cover before replacing if water is used.
7. Inspect motor brushes. To inspect brushes insert tooth pick in hole in end of brush assembly. If tooth pick is inserted more than one inch, replace brushes. (See replacement instructions.)
8. Replace cover. Place cover squarely over base and push flush to wall. Insert 2 cover mounting screws and tighten until snug. Do not over-tighten.

REPLACEMENT OF MOTOR BRUSHES

1. Remove locking spring clip securing brush holder.
2. Draw brush cap out of motor slowly until wire connector appears.
3. Detach wire connector and remove brush and holder assembly.

NOTE: When unpacking brush assembly from carton it is important to hold carbon brush in brush holder securely. P/N

206NL

4. Insert new assembly to point where wire quick connect connection can be made.
5. Push brush quick-connects on motor and brush sleeve together.
6. Push brush assembly back in place and insert locking spring clip.

REPLACEMENT OF HEATING ELEMENT

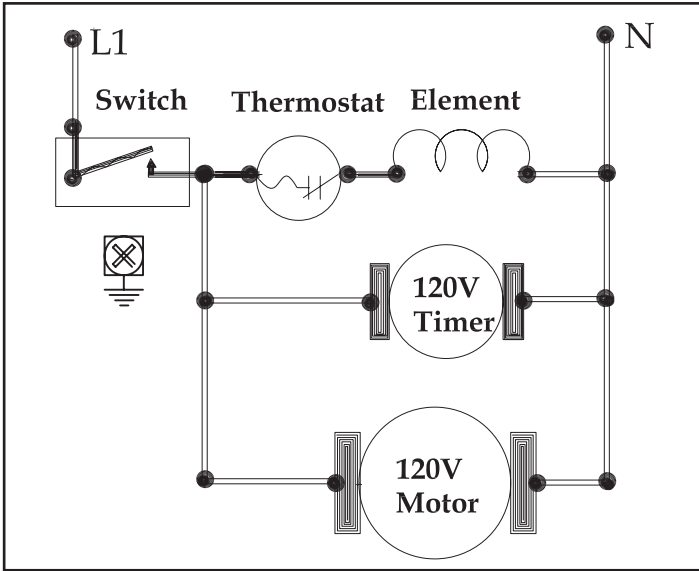
1. Remove three screws holding blower housing (#211P and #112P) together, and remove #112P side of housing.
2. Disconnect the white wires of the heating element at the terminal block and switch terminal. Replace with the new heating element of proper voltage and wattage, being careful to connect it identically to the old one.
3. Hold element in position on stationary side of blower housing and slip removable side in place, making sure element frames fit into grooves in blower housing and both wires run through notch at top of air outlet. Reinstall the protective screen and replace three screws fastening blower housing together.
4. Reconnect wires to terminal block and switch. Make certain all wires are properly reconnected and match the wiring diagram.

REPLACEMENT OF SWITCH TIMER MODELS RA

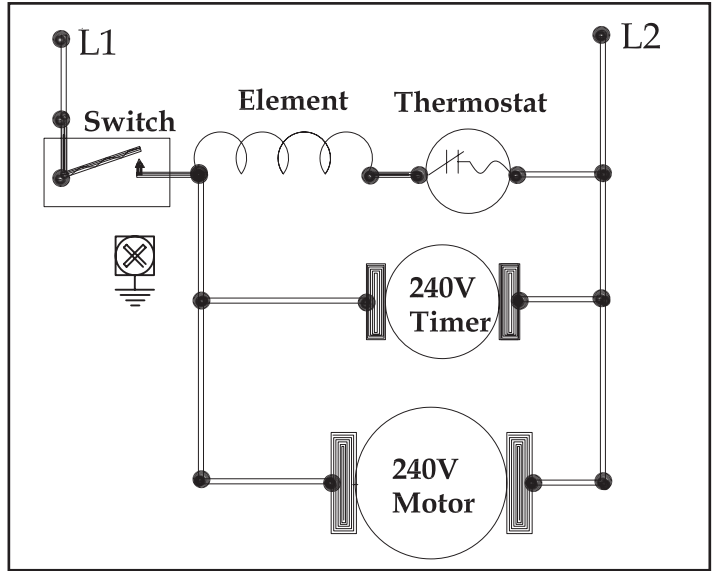
1. Remove screws from each of the two terminals on switch timer, marking wires for correct reconnection to switch terminals.
2. Replace defective timer with new one. (Specify Dryer Model when ordering Timer.)
3. Reconnect wires to terminals.
4. Replace cover (be sure cover fits squarely over base unit) and push in until cover is flush with wall and insert two cover mounting screws. Do not over-tighten the mounting screws.
5. Turn on power to dryer.

Wiring Diagram

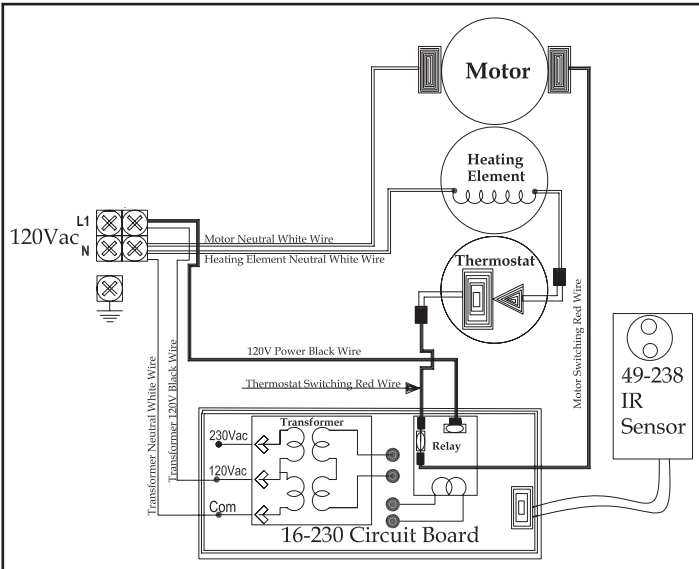
Wiring Diagram - Model RA5



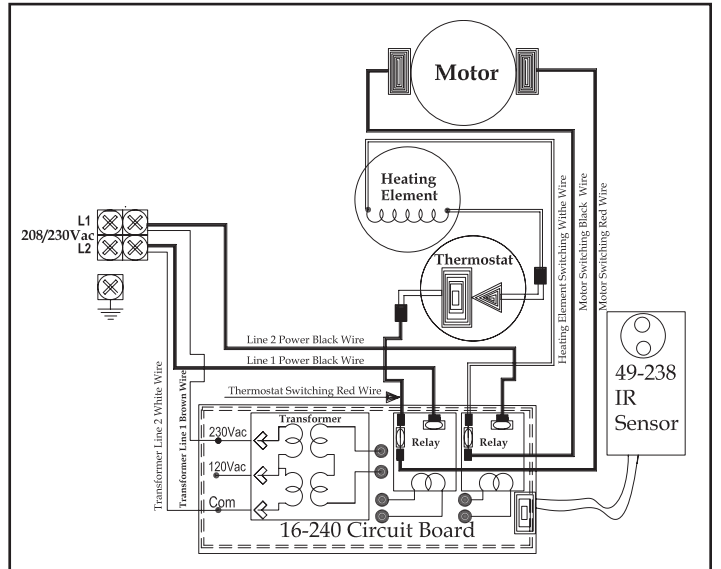
Wiring Diagram - Model RA54/RA548



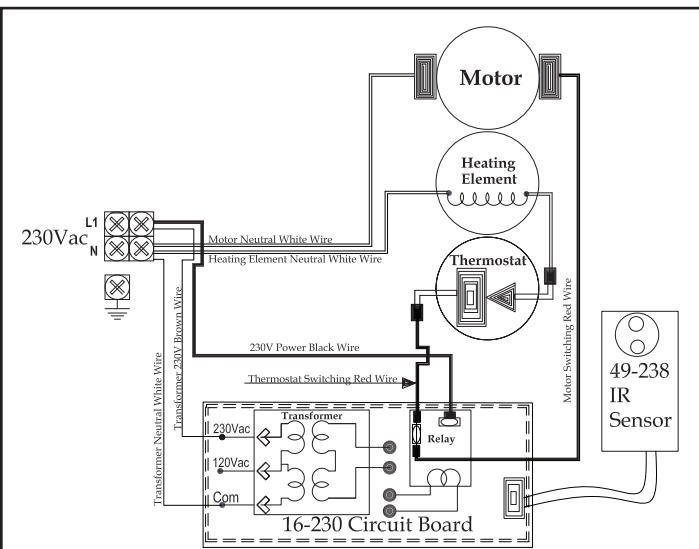
Wiring Diagram - Model (D) XRA5



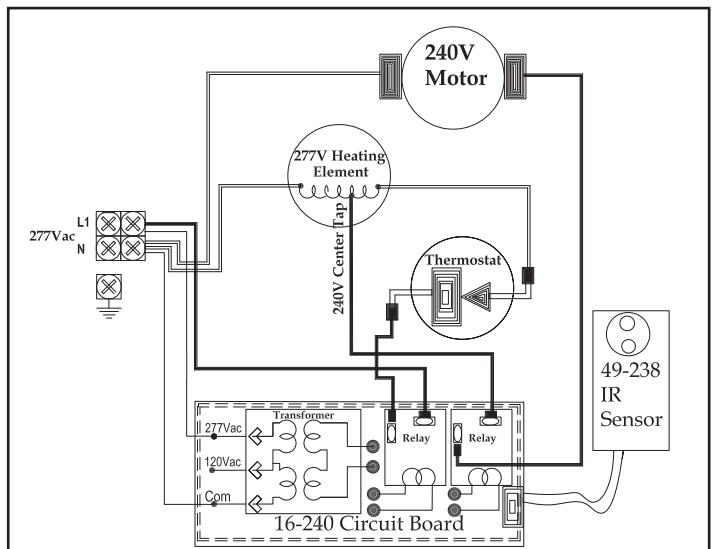
Wiring Diagram - Model (D) XRA54



Wiring Diagram - Model (D) XRA548



Wiring Diagram - Model (D) XRA57



Troubleshooting Chart

Trouble shooting should only be conducted by a qualified electrician.

Symptom	Model	Possible Cause(s)	Corrective Action
Dryer fails to start	XRA	Sensor obstruction	1. Check Sensor Lens for foreign material or dirt. Clean Lens with soft damp cloth and mild cleaning agent. 2. If Lens is damaged or scratched, replace it.
	All	No power to the unit	Check if power is "ON" Check electrical connections.
	XRA	Faulty Circuit Board (PCB) and Sensor	Place hands under Sensor. Listen for PCB . Relay "Click." If no "Click" is heard, replace the PCB and Sensor.
	XRA	Faulty Motor	If Relay "Click" is heard, heating element glows for 1-2 seconds, but unit does not start, replace the Motor.
Dryer runs for approx. 100 seconds, then will not re-start	RA	Faulty Timer / Switch	With Dryer Cover Removed, depress the Timer Switch Blade; a. Timer Motor should turn. b. With an Ohm Meter, check for continuity across the Switch Terminals. "No" in either test, replace Timer Assembly; "Yes" in both tests, replace Motor.
		Faulty Motor	
Dryer runs continuous and will not shut-off.	RA	Faulty Timer	With Dryer Cover Removed, depress the Timer Switch Blade; Timer Motor should turn. "No" replace Timer Assembly.
Dryer "Ghosts" starts with no hands present.	XRA	Sensor receiving false signal or reflection Or Fluctuating power supply	1. Hand Dryer should be mounted a minimum of 18" above a reflective surface. 2. Check if other Infrared operated appliance in the vicinity may be triggering the Dryer. 3. Multiple Hand Dryers on one circuit or Dryers sharing a lighting circuit. Automatic Hand Dryers must be on dedicated circuits. 4. Building wiring may be insufficient gauge or too long of a run from the supply. 5. Replace the PCB and Sensor.
Dryer blows cold air.	All	Defective Heating Element Or Defective Thermostat	1. Check for break in Element Wire. 2. Check Heating Element and Thermostat for continuity. If open, replace as necessary.
Dryer air too hot.	All	Machine is dirty	1. Inspect for foreign material. Using a soft brush and vacuum, clean fan and motor. 2. Replace motor if running slow or erratic.
Dryer noisy or vibrates.	All	Fan not centered in housing	1. Fan may be rubbing against edge of Fan Housing. To center Fan; a. On plastic fan unit, carefully "tap" the Fan Hub with a screw driver & small hammer to center it until the Fan turns freely. b. On metal fans, loosen the set screw and adjust the fan until it turns freely.
		<ul style="list-style-type: none"> ■ Foreign object in Fan. ■ Broken or bent Fan. ■ Bent Motor shaft. 	1. Inspect for foreign material. Using a soft brush and vacuum, clean fan and motor. 1. Replace Fan. 1. Replace Motor.

Limited Warranty

WORLD DRYER LIMITED TEN – YEAR WARRANTY. World Warm Air Hand Dryer, Model covered in this manual, is warranted by World Dryer Corporation to the original user against defects in workmanship or materials under normal use for 10 years after date of purchase. Any part which is determined to be defective in material or workmanship and returned to an authorized service location, as World designates, shipping costs prepaid, will be, as the exclusive remedy, repaired or replaced at World's option. For limited warranty claim procedures, see PROMPT DISPOSITION below. This limited warranty gives purchasers specific rights from jurisdiction to jurisdiction.

LIMITATION OF LIABILITY. To the extent allowable under applicable law, World's liability for consequential and incidental damages is expressly disclaimed. World's liability in all events is limited to and shall not exceed the purchase price paid.

WARRANTY DISCLAIMER. World has made a diligent effort to provide product information and illustrate the products in this literature accurately; however, such information and illustrations are for the sole purpose of identification, and do not express or imply a warranty that the products are MERCHANTABLE, or FIT FOR A PARTICULAR PURPOSE, or that the products will necessary conform to the illustrations or descriptions. Except as provided below, no warranty or affirmation on fact, expressed or implied, other than as stated in the "LIMITED WARRANTY" above is made or authorized by World.

PRODUCT SUITABILITY. Many jurisdictions have codes and regulations governing sales, construction, installation, and/or use of products for certain purposes, which may vary from those in neighboring areas. While World attempts to assure that the products comply with such codes, it cannot guarantee compliance, and cannot be responsible for how the product is installed or used. Before purchase and use of a product, review the product application, and all applicable national and local codes and regulations, and be sure that the product, installation, and use will comply with them.

Certain aspects of disclaimers are not applicable to consumer products; e.g., (a) some jurisdictions do not allow the exclusion or limitation of incidental or consequential damages, so the above limitation or exclusion may not apply to you; (b) also, some jurisdictions do not allow a limitation on how long an implied warranty lasts, consequentially the above limitation may not apply to you; and (c) by law, during the period of this Limited Warranty, and implied warranties of implied merchantability or fitness for particular purpose applicable to consumer products purchased by consumers, may not be excluded or otherwise disclaimed.

Manufactured by World Dryer Corporation, Berkeley, Illinois 60163 U.S.A.

PROMPT DISPOSITION. World will make a good faith effort for prompt correction or other adjustment with respect to any product which proves to be defective within limited warranty. For any product believed to be defective within limited warranty, first write or call dealer from whom the product was purchased. Dealer will give additional directions. If unable to resolve satisfactorily, write to World, giving dealer's name, address, date, and number of dealer's invoice, and describing the nature of defect. Title and risk of loss pass to buyer on delivery to common carrier. If product was damaged in transit to you, file claim with carrier.

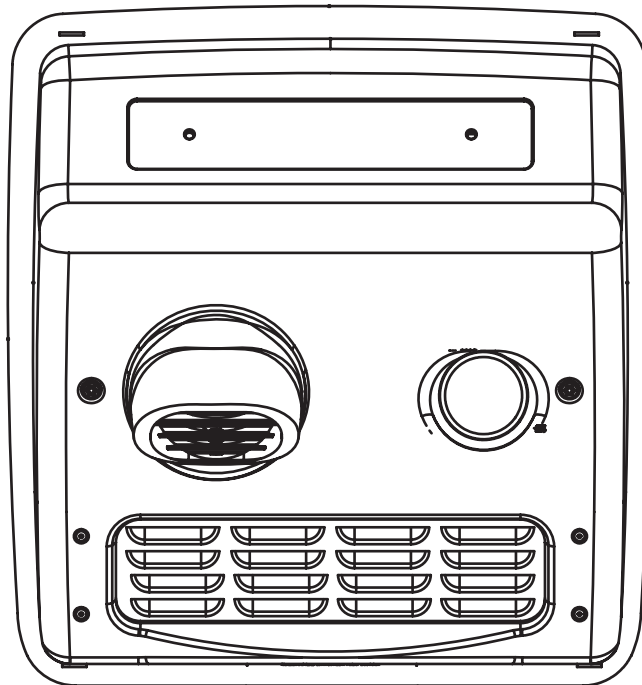
Model A Recessed ADA Compliant Heavy Duty Hand Dryer

Secamanos Empotrado Resistente Modelo A Compatible con ADA
Sèche-mains robuste à montage encastré, modèle A, conforme ADA



All XRA, RA Series

Todos los Modelos de las Series XRA y RA
Toutes les modèles de série XRA et RA



Please read and save these instructions. Read carefully before attempting to assemble, install, operate or service the product described. Protect yourself and others by observing all safety information. Failure to comply with instructions could result in personal injury and/or property damage. Retain instructions for future reference.

Por favor lea y guarde estas instrucciones. Léalas cuidadosamente antes de tratar de montar, instalar, operar o dar mantenimiento al producto aquí descrito. Protéjase usted mismo y a los demás observando toda la información de seguridad. No seguir las instrucciones puede ocasionar daños, tanto personales como materiales. Guarde estas instrucciones para referencia en el futuro.

Lire et conservez ces instructions. Les lire attentivement avant de commencer à assembler, installer, faire fonctionner, réparer ou entretenir l'appareil décrit. Pour se protéger et protéger autrui, observer toutes les consignes de sécurité. Le fait de négliger d'appliquer ces instructions peut entraîner des blessures et/ou des dommages matériels. Conservez ces instructions pour consultation ultérieure.



World Dryer Corporation

5700 McDermott Drive
Berkeley, IL 60163 U.S.A.
800-323-0701
www.worlddryer.com

Descripción

El secamanos por aire caliente de World Dryer, empotrado y compatible con ADA, es accionado por un motor universal de alta velocidad y suministra 2300 vatios de potencia de secado. Este secamanos funciona con un suministro eléctrico de 115 voltios de CA, 208/220-240 voltios de CA o 277 voltios de CA, dependiendo del modelo. Este grupo de productos incluye modelos automáticos y de activación por botón pulsador. Este aparato ha sido diseñado para uso como un secador de manos, lo cual contribuye a una limpieza, higiénica y costo-efectiva de las manos. Este secamanos se puede usar en entornos comerciales, industriales, de oficinas e instalaciones públicas.

Especificaciones Generales

Modelos básicos	Boquilla	Tiempo de secado	Dimensiones (A x P x Al)	Peso	Material de la cubierta
DXRA	Fija	Automático	333 mm x 351 mm x 102 mm 13,1 x 13,8 x 4 pulg.	12 kg / 26,5 lb.	Acero inoxidable
XRA	Fija	Automático	333 mm x 351 mm x 102 mm 13,1 x 13,8 x 4 pulg.	15,9 kg / 35 lb.	Hierro fundido
RA	Fija*	30 segundos	333 mm x 351 mm x 102 mm 13,1 x 13,8 x 4 pulg.	15,9 kg / 35 lb.	Hierro fundido

(*) Opción giratoria de la boquilla

Especificaciones del Sistema Eléctrico

Modelos	Tipo	Entrada eléctrica	Amperaje	Vatios
(D) XRA5	Automático	115 VCA, 60 Hz	20	2300
RA5	Botón pulsador	115 VCA, 60 Hz	20	2300
(D) XRA54	Automático	208-230 VCA, 60 Hz	10	2300
RA54	Botón pulsador	208-230 VCA, 60 Hz	10	2300
(D) XRA548	Automático	220-240 VCA, 50 Hz	10	2300
RA548	Botón pulsador	220-240 VCA, 50 Hz	10	2300

(Clasificación cULus, E19860, CE TUV-GS)

Información de Seguridad General

⚠ PELIGRO No desconectar la fuente de alimentación eléctrica antes de realizar la instalación o el mantenimiento puede resultar en lesiones graves o la muerte debido a un choque eléctrico.

- Siempre desconecte la fuente de alimentación antes de instalar el secamanos o darle mantenimiento.

⚠ PELIGRO No conectar correctamente a tierra esta unidad puede resultar en un choque eléctrico grave y/o la muerte.

- Para utilizar este secamanos sin peligro, debe conectarse a tierra correctamente. En la base mural del secamanos se identifica un punto de conexión a tierra.
- Recomendamos utilizar un protector GFCI (interruptor de circuito de fallo a tierra) en emplazamientos mojados o húmedos, o donde lo exija el código local.

⚠ ADVERTENCIA Los siguientes: riesgo de incendio, lesiones personales o daño a la propiedad son posibles si no se cumple con los códigos locales, el código eléctrico nacional (NEC) estadounidense o las recomendaciones de seguridad.

- Utilice únicamente la energía eléctrica (voltaje y frecuencia) especificada para el modelo de secamanos que se esté instalando.
- Conecte el secamanos en el panel de distribución adecuado más cercano.
- Para limitar las caídas de voltaje, y garantizar un funcionamiento eficiente, utilice el tamaño adecuado de conductor de acuerdo con los requisitos de su localidad o del código eléctrico nacional.
- No conecte la unidad en un circuito ramal con protección de un cortacircuito o fusible de más de 20 amperios. Esto es de acuerdo con la norma #210-20 del Código Eléctrico Nacional.
- Todos los modelos automáticos de secamanos deben tener un circuito dedicado de 20 amperios para satisfacer los requisitos de Underwriters Laboratories, Inc. (UL).
- Encamine todo el cableado realizado durante la instalación lejos de todas las partes móviles dentro del secamanos.

⚠ ATENCIÓN El montaje incorrecto puede ocasionar lesiones personales o daños materiales.

Desembalaje

1. Retire todos los materiales de embalaje. Se recomienda reciclar los materiales.
2. Extraiga cuidadosamente el secamanos de la caja de envío, sin dejar caer el aparato.
3. Inspeccione el producto cuidadosamente para verificar si se han producido daños durante el transporte. Revise para verificar si hay partes sueltas, que faltan o que están dañadas. Si el secamanos está dañado, infórmele prontamente sobre dicho daño al consignador o al concesionario de quien compró el secamanos.

Instalación

IMPORTANTE: Consulte los reglamentos locales y generales antes de realizar la instalación del secador. Verifique que la red eléctrica no esté sobrecargada. No conecte la unidad a un circuito derivado cuyo cortacircuito o fusible sobrepase los 20 amperios. Ésta es una recomendación de UL y cumple con la norma n.º 210-20 del NEC.

A) DESCONECTE LA FUENTE DE ALIMENTACIÓN.

B) Precauciones de Montaje y Acabado:

- 1) Monte la caja de embutir del secamanos a la altura que se recomienda en la Tabla n.º 1.
- 2) Monte la caja a ras de la cavidad, no más de 3,2 mm por detrás de la superficie acabada de la pared, para que quede correctamente empotrada.
- 3) Se recomienda calafatear DESPUÉS de instalar el conjunto de la base de aluminio, para dar un aspecto acabado y evitar que le entre agua al aparato (si se calafatea antes de instalar, puede entorpecerse el montaje).

C) Montaje de la Caja de Embutir de Acero:

ATENCIÓN: Para que el aparato quede instalado correctamente, es necesario instalar la base en la caja de embutir de acero que se proporciona.

- 1) Sitúe la caja de embutir de acero en el lugar de la pared que interese, de manera que el borde inferior quede a la altura que se especifica en la Tabla n.º 1.
- 2) Si se instalan más de un secador, deben separarse al menos 61 cm de centro a centro.
- 3) Para montar la caja de embutir, encuadre la abertura en la pared de acuerdo con la Figura n.º 1.
- 4) Haga que una abertura del encuadre corresponda con el agujero ciego de la caja de embutir que usted prefiera, para facilitar el acceso del conducto portacables.
- 5) Monte la caja de embutir en la abertura. Fije con tornillos para madera n.º 10 (M5) o con los afianzadores que corresponda, según sea necesario.
- 6) Valiéndose del tablero de distribución correspondiente más próximo, pase el conducto portacables.
- 7) Según lo exija el código eléctrico regional o el NEC, utilice un conductor de calibre n.º 12 o mayor para limitar la caída de voltaje y garantizar un funcionamiento eficiente.
- 8) Para evitar que se enciendan accidentalmente como consecuencia de fluctuaciones del voltaje, los secamanos automáticos deben instalarse en circuitos dedicados de 20 A, es decir, no deben utilizarse circuitos conmutados de luces ni ningún otro circuito al que estén conectados artefactos con interruptor.
- 9) El conductor debe tener al menos 61 cm de longitud en la caja de embutir para facilitar la conexión de los terminales del secamanos.

D) Montaje del secamanos en la caja de embutir:

- 1) Elimine todo el embalaje, incluidos los protectores de caucho de las esquinas de la cubierta del secamanos, si los trajera.
- 2) Utilice la llave Allen de seguridad suministrada para extraer los (2) tornillos de montaje de la cubierta. Retire la cubierta del conjunto de la base del secamanos.

ATENCIÓN: Las cubiertas de fundición con esmalte de porcelana deben manipularse con cuidado. No se deben dejar caer ni golpear contra superficies duras, para evitar dañar el esmalte de porcelana.

- 3) Introduzca el conjunto de base en la caja de embutir que se ha montado previamente.
- 4) Frente al secamanos, la carcasa del soplador debe quedar instalada en el costado izquierdo.
- 5) Fije la base a la caja de embutir con los cuatro (4) tornillos 1/4-20 que se proporcionan.
- 6) Pase los conductores por las aberturas del conjunto de la base.
- 7) Conecte el cableado de campo al bloque de terminales identificado como (L / N, L1 / L2).
- 8) Conecte firmemente un cable de tierra confirmado al tornillo de conexión a tierra.

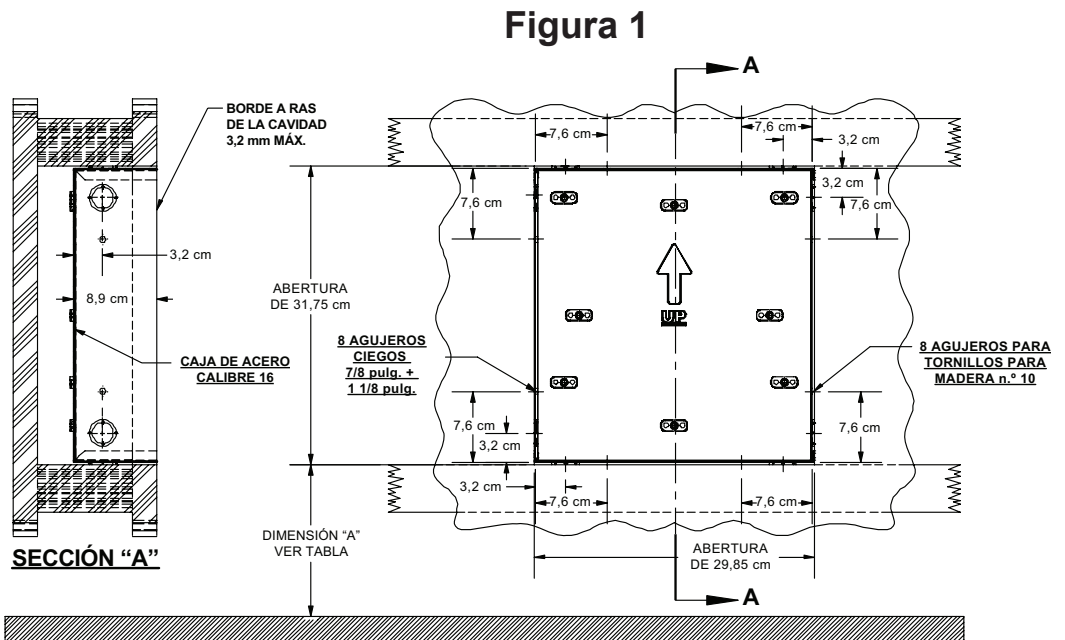
PELIGRO: Este secamanos debe conectarse a tierra (ponerse a tierra) correctamente.

ATENCIÓN: Dirija el cableado de campo de manera de evitar todas las piezas móviles y los bordes cortantes.

- 9) Instale la cubierta del secamanos con los dos (2) tornillos de montaje. Para evitar que se pique el esmalte de porcelana, no apriete demasiado.

Tabla 1

Alturas de montaje recomendadas desde el suelo hasta la parte inferior del secamanos	cm (pulg)
Baños de hombres	107 (42)
Baños de mujeres	102 (40)
Baños de niños, 4 a 7 años de edad	71 (28)
Baños de niños, 7 a 10 años de edad	81 (32)
Baños de niños, 10 a 13 años de edad	91 (36)
Baños de niños, 13 a 17 años de edad	102 (40)
Altura de montaje para discapacitados	86 (34)



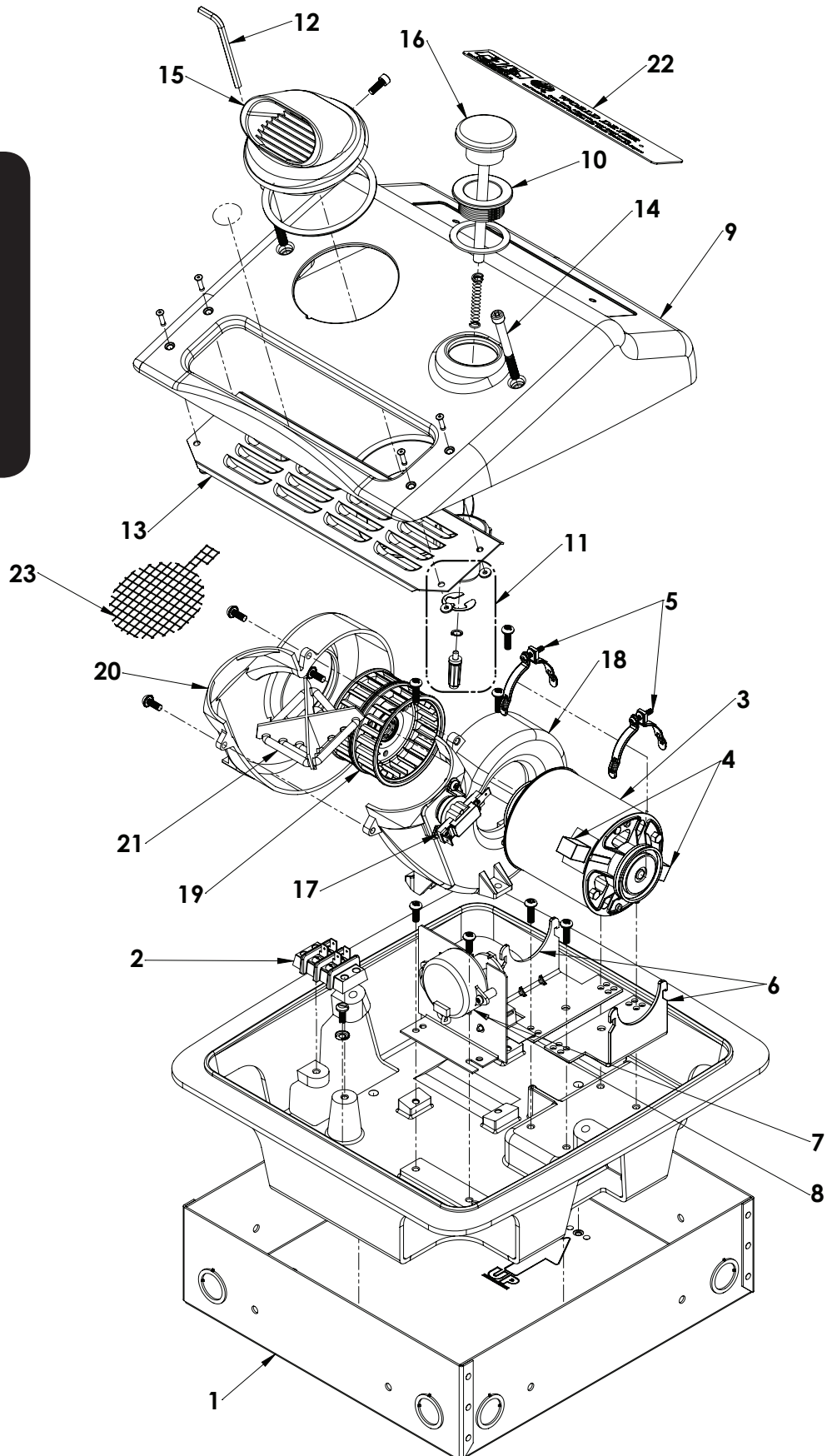
LA INSTALACIÓN DEBE SER REALIZADA POR PERSONAL ELÉCTRICO CALIFICADO.

Lista de Piezas

Figura 2 – Lista de Piezas para Secamanos

Para información sobre repuestos, visite www.WorldDryer.com

Por favor proporcione la siguiente información:
Número de modelo
Número de serie
Descripción de la pieza y número indicados en la lista de partes



#	Descripción	Número de Parte	Cant.
1	Caja de embutir (todos)	17-034	1
2	Bloque de terminales (todos)	156-3	1
3	Motor (D)XRA5, RA5	210K	1
3	Motor (D)XRA54, RA54, (D)XRA548, RA548, (D)XRA57, RA57	210AK	1
4	Escobilla de motor	206NL	2
5	Abrazadera de montaje del motor	110-4A	2 juegos
6	Soportes de montaje del motor	110-4	2
7	Microinterruptor solamente RA (todos)	143F	1
8	Unidad de temporización del interruptor RA5	225	1
8	Unidad de temporización del interruptor RA54	225A	1
8	Unidad de temporización del interruptor RA548	225M	1
8	Unidad de temporización del interruptor RA57	225A7	
9	Cubierta completa, fundición, funcionamiento automático, color blanco XRA (todos)*	703XA5-974AK	1
9	Cubierta completa, fundición, de pulsador, color blanco RA (todos)*	703A5-974AK	1
9	Cubierta completa, acero inoxidable, funcionamiento automático, acabado cepillado DXRA (todos)*	713DXA5-Q973AK	1
10	Unidad de adaptador de pulsador, empaquetadura y buje RA (todos)	190K	1
11	Juego de anillo de retención, punta de varilla de empuje aislada y resorte para pulsador RA (todos)	193K	1
12	Llave Allen de seguridad, cubierta de fundición	204TP	1
12	Llave Allen de seguridad, cubiertas de acero	56-006565	1
13	Rejilla de entrada, fundición, de pulsador, con tornillería de montaje RA (todos)	194-3K	1
△13	Rejilla de entrada, fundición, funcionamiento automático, con tornillería de montaje XRA (todos)	194-3XRAK	1
14	Tornillo resistente a manipulaciones para la cubierta, cubiertas de fundición XRA, RA (todos)	100B3	1
14	Tornillo resistente a manipulaciones para la cubierta, cubiertas de fundición DXRA (todos)	46-005023	1
15	Juego del conjunto de la boquilla	34-173K	1
16	Juego del conjunto del pulsador (perilla, varilla, anillo, resorte y punta) RA (todos)	185K	1
17	Termostato solamente 19 mm (3/4 pulg)	1111-03	1
18	Mitad de la voluta del soplador con montaje en la base y termostato	211PA	1
19	Pieza de metal del ventilador	101i	1
20	Mitad de la voluta del soplador, lado izquierdo	112P	1
21	Elemento calentador (D)XRA5, RA5	213	1
21	Elemento calentador (D)XRA54, RA54, (D)XRA548, RA548	213A4	1
21	Elemento calentador (D)XRA57, RA57	213A7	
22	Placa de identificación, de pulsador RA (todos)*	38-223	1
22	Placa de identificación, funcionamiento automático XRA (todos)*	38-224	1
23	Rejilla, Montaje de tierra (todos)	12-001	1
△	Control de sensor automático, 115V, (D)XRA5	16-230-120 RAK	1
△	Control de sensor automático, 208-230 V, (D)XRA54	16-240-208 RAK	1
△	Control de sensor automático, 220-240 V, 50 Hz CE solamente (D)XRA548	16-230-240 CEK	1
△	Control de sensor automático, 277 V, (D)XRA57	16-240-277RAK	1
△	Montaje del sostenedor del fusible, 277 V, (D)XRA57, RA57	100F4A	1
△	Fusible, 1 Amp, #FNQ-1, 277 V, (D)XRA57, RA57	100E3	1

* Especifique el modelo en su pedido. △ No se muestra.

Mantenimiento

AVISO: Desconecte la alimentación eléctrica antes de efectuar cualquier de estos procedimientos

INSTRUCCIONES DE LIMPIEZA:

Lea todas las instrucciones antes de proceder. Bajo uso normal, la limpieza del Secador una vez al año lo mantendrá en buena condición de funcionamiento. Si el tráfico en el baño es más pesado que lo normal, la limpieza debe realizarse cada 6 meses. Las acumulaciones de pelusas y polvo dentro del secador pueden dañar el motor y el elemento calentador, y también pueden producir emisiones calientes que podrían lesionar a los usuarios.

1. Extraiga dos tornillos de montaje de la cubierta del secador usando la llave Allen de seguridad suministrada. Sujete la cubierta mientras extrae los tornillos.
2. Extraiga tres (3) tornillos laterales que sujetan la carcasa del soplador. Observe la posición del elemento calentador y de la pantalla protectora. Los conductores principales atraviesan el agujero pasante en las mitades de la carcasa del soplador. Retire cuidadosamente el elemento calentador, pero sin desconectar los conductores.
3. Limpie las mitades de la rueda del soplador usando un cepillo cilíndrico de cerdas radiales de 12,7 mm (1/2 pulg.) de diámetro. Inserte el cepillo en los espacios entre las paletas individuales y desaloje la suciedad. No doble ni dañe las aspas.
4. Aspire la suciedad del secador y de la carcasa, vuelva a colocar el elemento calentador, la pantalla protectora y la mitad de la carcasa, y reinstale los tres (3) tornillos laterales. Apriete ligeramente y asegúrese que las piezas del elemento calentador de mica estén situadas en las ranuras de la carcasa y los conductores de conexión pasen a través del agujero en la carcasa del soplador.
5. Use una brocha para pintar de cerdas medio-suave de 12,7 mm (1/2 pulg.) para limpiar el polvo y la suciedad del motor y del temporizador interruptor. No doble las paletas del interruptor cuando limpie el mismo.
6. Utilice un cepillo de cerdas firmes para limpiar la suciedad del interior de la rejilla de la boquilla y de la rejilla de entrada. Quizá se necesite agua para purgar la suciedad de la rejilla de entrada. Si se utiliza agua, seque el interior de la cubierta antes de volverla a montar.
7. Inspeccione las escobillas del motor. Para inspeccionar las escobillas, inserte un palillo de dientes en el agujero en el extremo del conjunto de las escobillas. Si puede insertar el palillo de dientes más de 2,5 cm, reemplace las escobillas. (Consulte las instrucciones de reemplazo).
8. Vuelva a instalar la cubierta. Coloque la cubierta encuadrada sobre la base y presiónela hasta que esté al ras contra la pared. Inserte dos (2) tornillos de montaje de la cubierta y apriételes hasta que estén ajustados. No los apriete demasiado.

REEMPLAZO DE LAS ESCOBILLAS DEL MOTOR

1. Retire la presilla de resorte de fijación que sujeta el portaescobillas.
2. Saque lentamente la tapa de la escobilla fuera del motor hasta que aparezca el conector del conductor.
3. Desconecte el conector del conductor y retire el conjunto del portaescobilla y la escobilla.

AVISO: Cuando desembale el conjunto de las escobillas de la caja de envío, es importante mantener firmemente sujeta la escobilla de carbón en el portaescobillas. P/N 206NL

4. Inserte el conjunto nuevo en el punto donde se pueda hacer la conexión rápida del conductor.
5. Conecte a presión los manguitos de las escobillas en los conectores rápidos para escobillas en el motor.
6. Vuelva a colocar el conjunto de las escobillas en su lugar e inserte la presilla de resorte de fijación.

REEMPLAZO DEL ELEMENTO CALENTADOR

1. Extraiga los tres tornillos que unen las partes de la carcasa del soplador (n.ºs 211P y 112P), y retire el lado n.º 112P de la carcasa.
2. Desconecte los conductores blancos del elemento calentador en el bloque de terminales y de las terminales del interruptor. Instale el nuevo elemento calentador con tensión y vataje correctos, observando la misma conexión que se utilizó con el elemento calentador antiguo.
3. Inmovilice el elemento en el lado fijo de la carcasa del soplador y deslice el lado desmontable a su lugar, verificando que las estructuras del elemento encajen en las ranuras de la carcasa del soplador y que ambos conductores pasen a través de la muesca en la parte superior de la salida de aire. Reinstale la pantalla protectora y los tres tornillos que unen las partes de la carcasa del soplador.
4. Vuelva a conectar los conductores al bloque de terminales y al interruptor. Verifique que todos los conductores queden debidamente reconectados, prestando atención al diagrama de cableado.

REEMPLAZO DEL TEMPORIZADOR DEL INTERRUPTOR (MODELOS RA)

1. Extraiga los tornillos de cada una de las dos terminales en el temporizador interruptor, y marque los conductores para poder volverlos a conectar correctamente en las terminales del interruptor.
2. Reemplace el temporizador defectuoso con uno nuevo. (Especifique el Modelo de Secador cuando pida el Temporizador).
3. Vuelva a conectar los conductores en las terminales.
4. Vuelva a instalar la cubierta (asegurándose que la cubierta encaje perfectamente sobre la unidad base) y presiónela hacia adentro hasta que la cubierta esté al ras con la pared e inserte los dos tornillos de montaje de la cubierta. No apriete demasiado los tornillos de montaje.
5. Conecte la alimentación eléctrica para el secador.

Diagrama de Cableado

Diagrama de Cableado - Modelo RA5

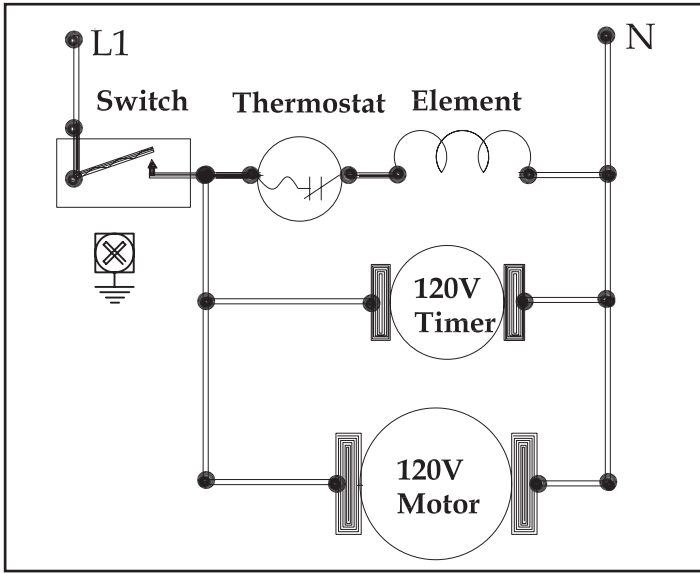


Diagrama de Cableado - Modelo RA54/RA548

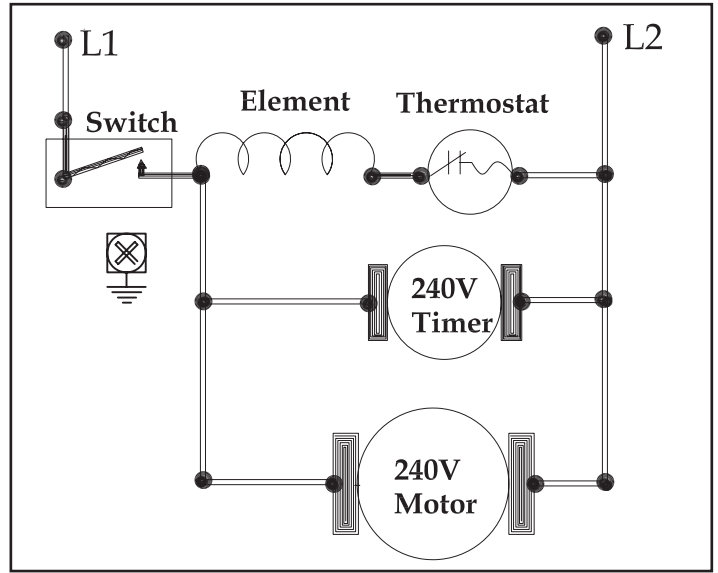


Diagrama de Cableado - Modelo (D) XRA5

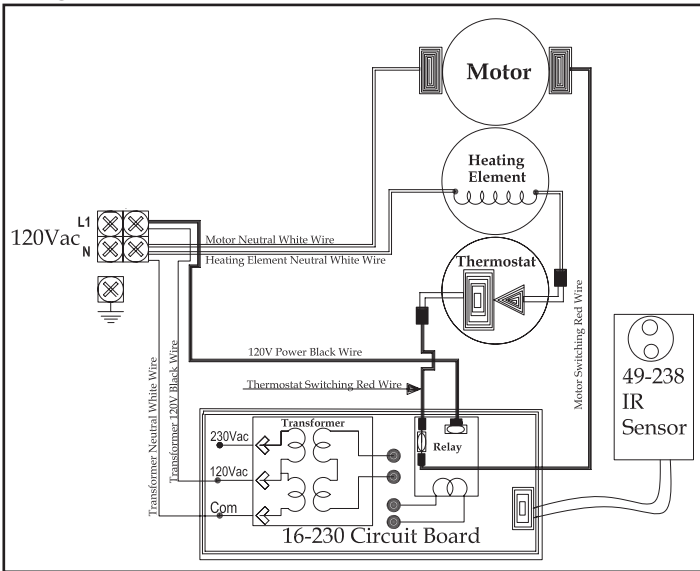


Diagrama de Cableado - Modelo (D) XRA54

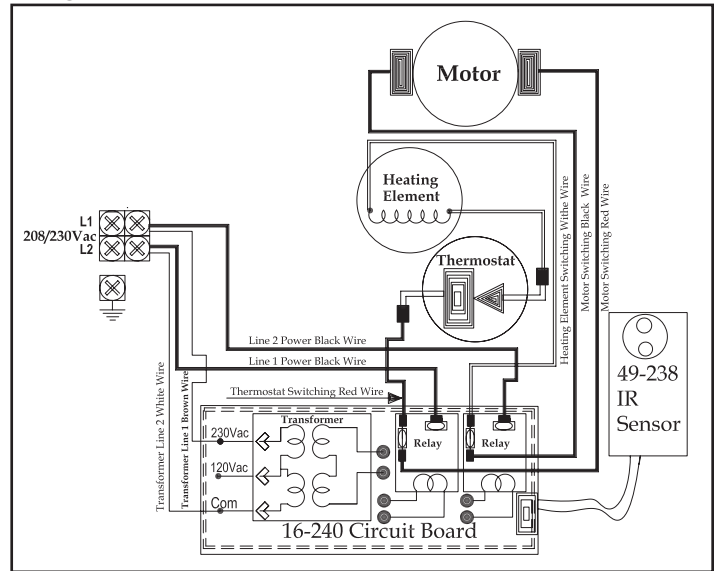


Diagrama de Cableado - Modelo (D) XRA548

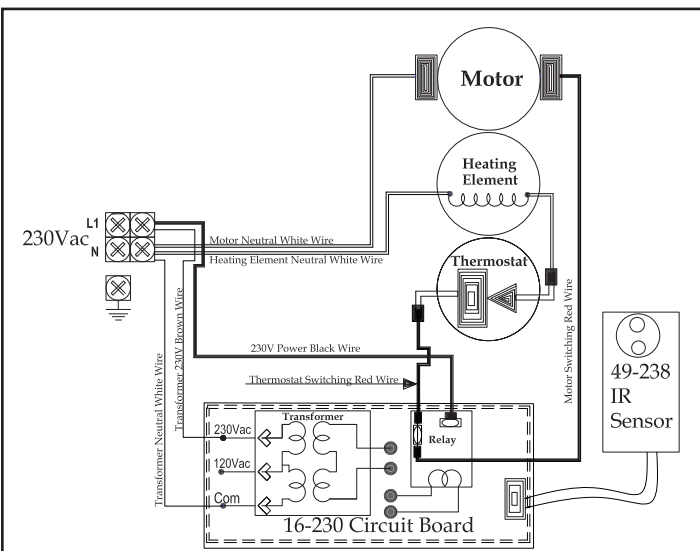


Diagrama de Cableado - Modelo (D) XRA57

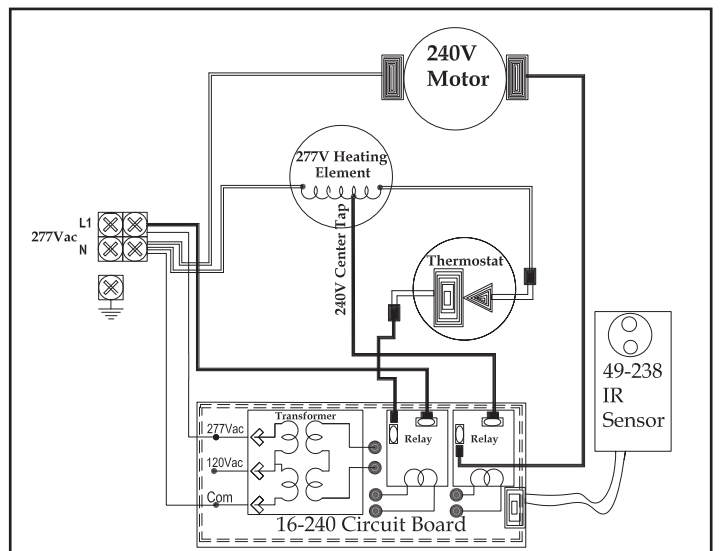


Tabla de Identificación de Problemas

Sólo un electricista calificado debe diagnosticar y solucionar posibles fallas.

Síntoma	Modelo	Causa(s) Posible(s)	Medida Correctiva
El secador no arranca.	XRA	Sensor obstruido	<ol style="list-style-type: none"> 1. Compruebe que la lente del sensor no esté sucia ni tenga materias extrañas. Limpie la lente con un trapo suave y húmedo, y un producto de limpieza suave. 2. Si la lente está dañada o rayada, reemplácela.
	Todos	La unidad no recibe alimentación eléctrica	Compruebe que la unidad esté encendida. Revise las conexiones eléctricas.
	XRA	Placa de circuitos impresos y sensor averiados	Ponga las manos debajo del sensor. Preste atención al chasquido del relé de la placa de circuitos impresos. Si no se escucha, reemplace la placa de circuitos impresos y el sensor.
	XRA	Motor averiado	Si la unidad no arranca, a pesar de producirse el chasquido del relé y encenderse el elemento calentador 1 ó 2 segundos, reemplace el motor.
El secador funciona aprox. 100 segundos y ya no vuelve a encenderse.	RA	Temporizador o interruptor averiados	<ol style="list-style-type: none"> a. Quite la cubierta del secamanos y oprima la paleta del interruptor con temporizador; b. El motor del temporizador debe arrancar.
		Motor averiado	Con un ohmímetro, verifique la continuidad entre los terminales del interruptor. Si la respuesta es negativa en alguna de las pruebas, reemplace el conjunto del temporizador; Si la respuesta es afirmativa en ambas pruebas, reemplace el motor.
El secador funciona de forma continua y no se apaga.	RA	Temporizador averiado	Quite la cubierta del secamanos y oprima la paleta del interruptor con temporizador; El motor del temporizador debe arrancar. Si la respuesta es negativa, reemplace el conjunto del temporizador.
El secamanos arranca espontáneamente, sin que se coloquen las manos debajo.	XRA	El sensor está recibiendo una señal falsa o el reflejo de alguna superficie O La alimentación eléctrica fluctúa	<ol style="list-style-type: none"> 1. El secamanos debe montarse al menos 45,7 cm por encima de las superficies reflectantes. 2. Verifique si hay algún otro artefacto accionado por infrarrojos cerca del secamanos que pueda estar activándolo. 3. Hay varios secamanos en un mismo circuito, o los secamanos comparten un circuito de luces. Los secamanos automáticos deben instalarse en circuitos dedicados. 4. El cableado de la edificación tiene un calibre insuficiente o se extiende demasiado desde la alimentación eléctrica. 5. Reemplace la placa de circuitos impresos y el sensor.
El aire que expulsa el secamanos es frío.	Todos	Elemento calentador o termostato defectuosos	<ol style="list-style-type: none"> 1. Verifique si está roto el conductor del elemento. 2. Verifique la continuidad en el elemento calentador y el termostato. Si no hay continuidad, reemplace según sea necesario.
El aire que expulsa el secamanos es demasiado caliente.	Todos	La máquina está sucia	<ol style="list-style-type: none"> 1. Examine para verificar la presencia de materias extrañas. Con un cepillo suave y una aspiradora, limpie el ventilador y el motor. 2. Reemplace el motor, si el funcionamiento es lento o irregular.
El secamanos produce ruido o vibra.	Todos	Ventilador descentrado en la carcasa	<ol style="list-style-type: none"> a. Es posible que el ventilador esté rozando con el borde de la carcasa del ventilador. Para centrar el ventilador: b. En ventiladores de plástico, golpee con cuidado el cubo del ventilador con un destornillador y un martillo pequeño para centrarlo, hasta que el ventilador gire libremente. c. En ventiladores de metal, afloje el tornillo prisionero y ajuste el ventilador hasta que gire libremente.
		<ul style="list-style-type: none"> ■ Presencia de objeto extraño en el ventilador. ■ Ventilador roto o doblado. ■ Eje del motor doblado. 	<ol style="list-style-type: none"> 1. Examine para verificar la presencia de materias extrañas. Con un cepillo suave y una aspiradora, limpie el ventilador y el motor. 1. Reemplace el ventilador. 1. Reemplace el motor.

Garantía Limitada

GARANTÍA LIMITADA DE DIEZ AÑOS DE WORLD DRYER. World Dryer Corporation le garantiza al usuario original que el modelo del secamanos de aire caliente World Dryer tratado en este manual estará libre de defectos de fabricación y materiales si se somete a un uso normal por diez años a partir de la fecha de compra. Cualquier pieza que se halle defectuosa, ya sea por materiales o construcción, y se devuelva a un centro de reparación autorizado, según lo indique World Dryer, con los costos de envío pagados por adelantado, se reparará o reemplazará, como remedio exclusivo, a la discreción de World Dryer. Para información relacionada con los procedimientos de reclamación provistos por la garantía limitada, consulte más adelante la sección ATENCIÓN OPORTUNA. Esta garantía limitada confiere al comprador derechos específicos que varían de una jurisdicción a otra.

LÍMITES DE RESPONSABILIDAD. En la medida en que las leyes aplicables lo permitan, se excluye expresamente la responsabilidad de World Dryer por daños indirectos o menores. La responsabilidad de World Dryer se limita al precio de compra pagado, al cual no sobrepasará.

EXCLUSIÓN DE RESPONSABILIDAD DE LA GARANTÍA. World Dryer se ha esforzado diligentemente en proporcionar a través de este manual información e ilustraciones concernientes al producto; sin embargo, esta información y estas ilustraciones tienen como único fin la identificación del producto, y no expresan ni implican garantía de que los productos sean VENDIBLES o ADECUADOS A UN PROPÓSITO EN PARTICULAR, ni que se ajusten necesariamente a las ilustraciones o descripciones. Con excepción de lo que se establece a continuación, World Dryer no hace ni autoriza ninguna garantía o afirmación de hecho, expresa o implícita, que no se estipule en la "GARANTÍA LIMITADA" anterior.

ADECUACIÓN DEL PRODUCTO. Muchas jurisdicciones tienen códigos o regulaciones sobre la venta, el diseño, la instalación y/o el uso de productos para ciertas aplicaciones; dichas leyes pueden variar de un área a otra. Si bien World Dryer trata de que los productos cumplan con estos códigos, no puede garantizar su cumplimiento ni puede hacerse responsable de la forma en que se instale o utilice el producto. Antes de comprar y utilizar el producto, revise su aplicación y todos los códigos y reglamentos nacionales y locales aplicables, y asegúrese de que el producto, la instalación y el uso los cumplan.

Ciertos aspectos de las limitaciones de responsabilidad no se aplican a los productos de consumo; es decir (a) algunas jurisdicciones no permiten la exclusión o limitación de daños menores o indirectos, por lo cual la limitación o exclusión anterior quizás no se aplique en su caso; (b) asimismo, algunas jurisdicciones no permiten limitar el plazo de las garantías implícitas, por lo cual la limitación anterior quizás no se aplique en su caso; y (c) por ley, mientras estén vigentes, no pueden excluirse ni de ninguna otra manera denegarse la Garantía Limitada y las garantías implícitas de comerciabilidad o idoneidad para un propósito en particular implícitas que corresponden a los productos de consumo adquiridos por los consumidores. Fabricado por World Dryer Corporation, Berkeley, Illinois 60163 U.S.A.

ATENCIÓN OPORTUNA. World Dryer hará un esfuerzo de buena fe para corregir oportunamente o hacer otros ajustes relacionados con cualquier producto que resulte defectuoso dentro de los términos de esta garantía limitada. En el caso de que encuentre un producto defectuoso y que esté cubierto dentro de los límites de esta garantía haga el favor de escribir primero, o llame, al distribuidor a quien le compró el producto. El distribuidor le dará las instrucciones adicionales. Si no logra resolver el problema de forma satisfactoria, escriba a World Dryer, y proporcione el nombre y la dirección del distribuidor, así como la fecha y el número de su factura, y describa la naturaleza del defecto. La propiedad del artículo y el riesgo de pérdida pasan al comprador en el momento de la entrega del artículo a la compañía de transporte. Si el producto se daña durante el transporte, debe presentar su reclamo a la compañía transportista.

Model A Recessed ADA Compliant Heavy Duty Hand Dryer

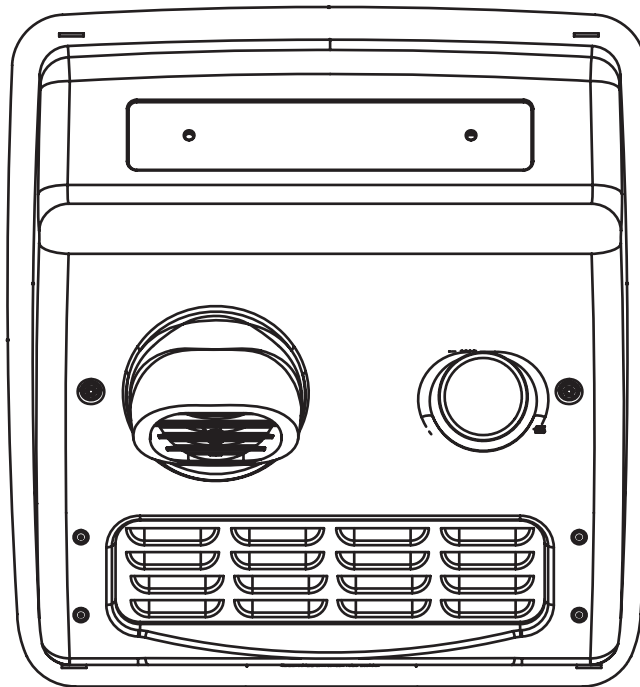
Secamanos Empotrado Resistente Modelo A Compatible con ADA
Sèche-mains robuste à montage encastré, modèle A, conforme ADA



All XRA, RA Series

Todos los Modelos de las Series XRA y RA

Toutes les modèles de série XRA et RA



Please read and save these instructions. Read carefully before attempting to assemble, install, operate or service the product described. Protect yourself and others by observing all safety information. Failure to comply with instructions could result in personal injury and/or property damage. Retain instructions for future reference.

Por favor lea y guarde estas instrucciones. Léelas cuidadosamente antes de tratar de montar, instalar, operar o dar mantenimiento al producto aquí descrito. Protéjase usted mismo y a los demás observando toda la información de seguridad. No seguir las instrucciones puede ocasionar daños, tanto personales como materiales. Guarde estas instrucciones para referencia en el futuro.

Lire et conserver ces instructions. Les lire attentivement avant de commencer à assembler, installer, faire fonctionner, réparer ou entretenir l'appareil décrit. Pour se protéger et protéger autrui, observer toutes les consignes de sécurité. Le fait de négliger d'appliquer ces instructions peut entraîner des blessures et/ou des dommages matériels. Conserver ces instructions pour consultation ultérieure.



WORLD DRYER

World Dryer Corporation

5700 McDermott Drive
Berkeley, IL 60163 U.S.A.
800-323-0701
www.worlddryer.com

Description

Le sèche-mains à air chaud à moteur rapide universel, conforme ADA et à montage encastré de World Dryer offre une puissance de séchage de 2 300 watts. Ce sèche-mains fonctionne sur une alimentation électrique alternative de 115 volts, 208/220-240 volts ou 277 volts, selon le modèle. Des modèles automatiques et à bouton-poussoir sont représentés dans cette gamme. Cet appareil est conçu pour sécher les mains de façon sanitaire d'une manière, hygiénique et économique. Ce sèche-mains est conçu pour être utilisé dans les magasins, usines, bureaux et bâtiments publics.

Caractéristiques générales

Modèles de base	Buse	Cycle de séchage	Dimensions (Lar. x P x H)	Poids	Matériau du carter
DXRA	Fixe	Automatique	333 mm x 351 mm x 102 mm 13,1 po x 13,8 po x 4 po	12 kg / 26,5 lb	Acier inoxydable
XRA	Fixe	Automatique	333 mm x 351 mm x 102 mm 13,1 po x 13,8 po x 4 po	15,9 kg / 35 lb	Fonte
RA	Fixe*	30 secondes	333 mm x 351 mm x 102 mm 13,1 po x 13,8 po x 4 po	15,9 kg / 35 lb	Fonte

(*)Option buse rotative

Caractéristiques électriques

Modèles	Type	Consommation électrique	Intensité	Watts
(D) XRA5	Automatique	115 V c.a., 60 Hz	20	2 300
RA5	Bouton-poussoir	115 V c.a., 60 Hz	20	2 300
(D) XRA54	Automatique	208-230 V c.a., 60 Hz	10	2 300
RA54	Bouton-poussoir	208-230 V c.a., 60 Hz	10	2 300
(D) XRA548	Automatique	220-240 V c.a., 50 Hz	10	2 300
RA548	Bouton-poussoir	220-240 V c.a., 50 Hz	10	2 300

(Homologation cULus, E19860, CE TUV-GS)

Consignes générales de sécurité

DANGER

Le fait de ne pas débrancher la source d'alimentation avant de procéder à l'installation, à la réparation ou à l'entretien peut entraîner des blessures graves ou mortelles résultant d'un choc électrique.

- Toujours débrancher la source d'alimentation avant de réparer, d'entretenir ou d'installer le sèche-mains.

DANGER

Veiller à mettre cet appareil à la terre correctement afin d'éviter un risque de choc électrique grave, voire mortel.

- Ce sèche-mains doit être mis à la terre correctement pour fonctionner en toute sécurité. Un point de raccordement à la terre est identifié sur la base de fixation murale du sèche-mains.
- Nous recommandons une protection par disjoncteur de fuite à la terre dans les endroits mouillés ou humides, ou si les normes locales l'exigent.

Un risque d'incendie, de blessures ou de dommages matériels est possible en cas d'inobservation des codes locaux, du code national de l'électricité ou des recommandations de sécurité.

AVERTISSEMENT

- N'utiliser que le type d'alimentation électrique (en matière de tension et fréquence) spécifié pour le modèle de sèche-mains en cours d'installation.
- Raccorder le sèche-mains au tableau de distribution adapté le plus proche.
- Pour limiter les chutes de tension et garantir un fonctionnement efficace, utiliser du fil correspondant au calibre exigé par le code local ou le code national de l'électricité.
- Ne pas raccorder l'appareil à un circuit de dérivation protégé par un disjoncteur ou un fusible de plus de 20 ampères. Cette exigence est stipulée par l'article 210-20 du code national de l'électricité.
- Pour se conformer à l'homologation Underwriters Laboratories, Inc. (UL), tous les modèles automatiques de sèche-mains doivent être installés sur un circuit dédié de 20 ampères.
- Faire passer l'ensemble du câblage sur site à l'écart des pièces mobiles qui sont à l'intérieur du sèche-mains.

ATTENTION

Un montage incorrect peut provoquer des accidents corporels et des dommages matériels.

Déballage

1. Enlever tous les produits d'emballage. Il est recommandé de les recycler.
2. Sortir le sèche-mains du carton avec précaution, en veillant à ne pas le faire tomber.
3. Vérifier soigneusement qu'aucun dommage n'est survenu durant le transport. Examiner les pièces pour vérifier si certaines sont desserrées, manquantes ou endommagées. Si le sèche-mains est endommagé, informer immédiatement l'expéditeur ou le concessionnaire qui l'a vendu.

Installation

IMPORTANT : Consulter les réglementations locale et générale avant d'installer le sèche-mains. S'assurer que le réseau électrique n'est pas surchargé. Ne pas raccorder l'appareil à un circuit de dérivation protégé par un disjoncteur ou un fusible de plus de 20 A. Il s'agit d'une recommandation UL conforme à l'article 210-20 du code national de l'électricité.

A) COUPER LA SOURCE D'ALIMENTATION.

B) Précautions pour l'adaptation et la finition

- 1) Monter la boîte d'applique du sèche-mains à la hauteur recommandée au Tableau n°1.
- 2) Monter la boîte d'applique sans saillie à un maximum de 3,2 mm en-dessous de la surface finie du mur pour un bon encastrément.
- 3) Il est recommandé de calfeutrer APRÈS l'installation de la base en aluminium pour parfaire la finition et pour aider à protéger l'appareil de l'eau. (Le calfeutrage avant l'installation peut créer un problème d'adaptation.)

C) Monter la boîte d'applique en acier

ATTENTION : L'installation correcte nécessite l'installation de la base dans la boîte d'applique en acier fournie.

- 1) Placer la boîte d'applique en acier sur le mur à la position souhaitée, en prenant soin de placer le bord inférieur de la boîte à la hauteur sélectionnée indiquée au Tableau n°1.
- 2) Lorsqu'on installe plusieurs sèche-mains, on doit observer une distance minimale de séparation entre eux de 61 cm de centre à centre.
- 3) Pour monter la boîte d'applique, cadrer l'ouverture dans le mur selon la Figure n°1.
- 4) Laisser une ouverture dans l'ossature correspondant au placement préféré du branchement électrique pour la boîte d'applique afin d'avoir un accès facile à la conduite électrique.
- 5) Monter la boîte d'applique dans l'ouverture. Fixer avec les vis à bois n°10 (M5) ou les fixations appropriées, le cas échéant.
- 6) En utilisant le tableau de distribution adapté le plus proche, poser la conduite électrique.
- 7) Pour limiter les chutes de tension et garantir un fonctionnement efficace, utiliser du fil de calibre 12 ou plus gros si le code local ou national de l'électricité l'exige.
- 8) Les sèche-mains automatiques nécessitent des circuits dédiés de 20 A pour éviter un démarrage automatique en raison des fluctuations de tension. Il faut donc également éviter les circuits d'éclairage à interrupteurs ou d'autres circuits où les équipements peuvent être allumés ou éteints.
- 9) Laisser dépasser une longueur de câble minimale de 61 cm de la boîte d'applique pour permettre un branchement facile aux bornes du sèche-mains.

D) Monter le sèche-mains dans la boîte d'applique

- 1) Éliminer tout matériel d'expédition ou d'emballage, notamment les coins de protection en caoutchouc si présents sur le capot du sèche-mains.
- 2) Utiliser la clé mâle à six pans de sécurité fournie pour enlever les deux (2) vis de montage du capot. Enlever le capot de la base du sèche-mains.

ATTENTION : Faire bien attention lors de la manipulation de capots en fonte à porcelaine émaillée. Ne pas laisser tomber ni cogner contre des surfaces dures afin d'éviter d'endommager la porcelaine émaillée.

- 3) Insérer la base dans la boîte d'applique prémontée.
- 4) Lorsqu'en face du sèche-mains, le carter de la soufflante doit se trouver à gauche lors de l'installation.
- 5) Visser la base sur la boîte d'applique avec les 4 vis 1/4-20 fournies.
- 6) Faire passer les câbles par les ouvertures de la base.
- 7) Brancher les câbles de la conduite électrique au bornier identifié (L / N, L1 / L2).
- 8) Bien serrer un fil de mise à la terre vérifié à la vis de la borne de terre.

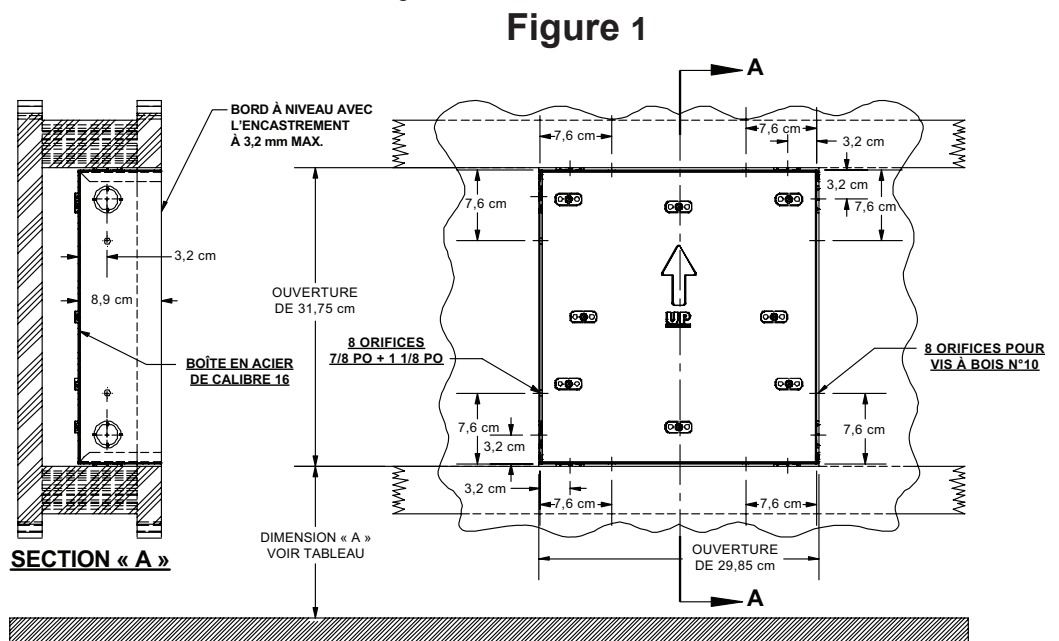
⚠ DANGER : Ce sèche-mains doit être correctement mis à la terre.

⚠ ATTENTION : Acheminer les fils de la conduite électrique à l'écart de toute pièce mobile ou bords coupants.

- 9) Installer le capot du sèche-mains avec les (2) vis de montage. Pour éviter d'écailler la porcelaine émaillée, ne pas trop serrer.

Tableau 1

Hauteurs de montage recommandées entre le sol et le bord inférieur du sèche-mains	cm (po)
Toilettes pour hommes	107 (42)
Toilettes pour femmes	102 (40)
Toilettes pour enfants de 4 à 7	71 (28)
Toilettes pour enfants de 7 à 10 ans	81 (32)
Toilettes pour enfants de 10 à 13 ans	91 (36)
Toilettes pour enfants de 13 à 17 ans	102 (40)
Hauteur de montage pour personnes handicapées	86 (34)



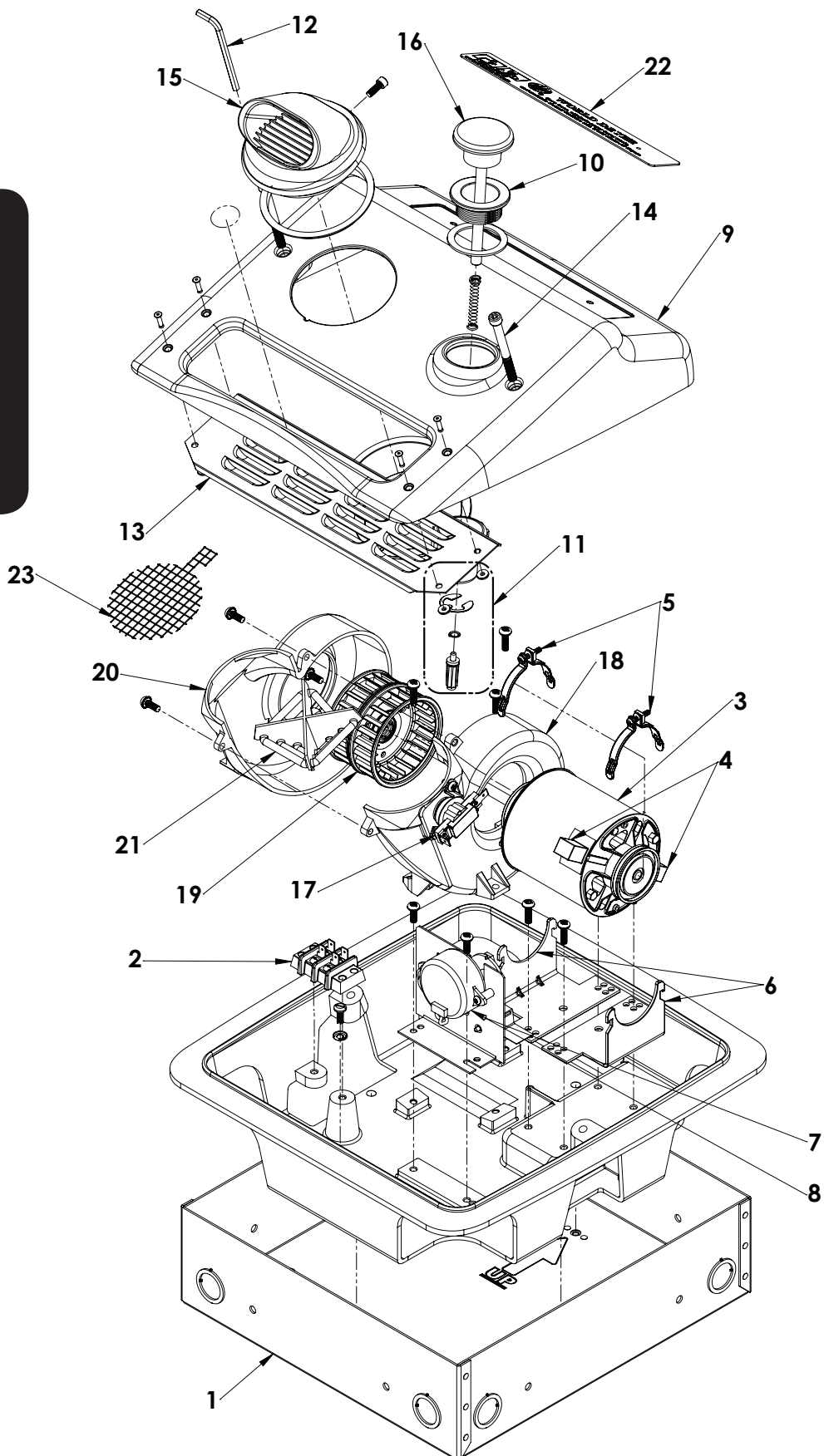
TOUTE INSTALLATION DOIT ÊTRE EFFECTUÉE PAR UN ÉLECTRICIEN AGRÉÉ.

Liste des pièces

Figure 2 – Liste des pièces détachées des sèche-mains

Pour les pièces détachées,
consulter
www.WorldDryer.com

Fournir les renseignements
suivants :
Numéro de modèle
Numéro de série
Description et numéro
de la pièce figurant sur
la liste des pièces



#	Description	Numéro de pièce	Qté.
1	Boîte d'applique (tous)	17-034	1
2	Bornier (tous)	156-3	1
3	Moteur (D)XRA5, RA5	210K	1
3	Moteur ((D)XRA54, RA54, (D)XRA548, RA548, (D)XRA57, RA57	210AK	1
4	Balais du moteur	206NL	2
5	Bride de montage du moteur	110-4A	2 ensembles
6	Supports de montage du moteur	110-4	2
7	Microcommutateur seulement RA (tous)	143F	1
8	Minuteur RA5	225	1
8	Minuteur RA54	225A	1
8	Minuteur RA548	225M	1
8	Minuteur RA57	225A7	1
9	Capot complet, fonte, automatique, blanc XRA (tous)*	703XA5-974AK	1
9	Capot complet, fonte, bouton-poussoir, blanc RA (tous)*	703A5-974AK	1
9	Capot complet, acier inoxydable, automatique, brossé DXRA (tous)*	713DXA5-Q973AK	1
10	Adaptateur de bouton-poussoir, joint d'étanchéité et douille RA (tous)	190K	1
11	Kit de bague de retenue, embout de tige-poussoir isolé et anneau de retenue du bouton-poussoir RA (tous)	193K	1
12	Clé mâle à six pans, capot en fonte	204TP	1
12	Clé mâle à six pans, capots en acier	56-006565	1
13	Grille d'entrée, fonte, bouton-poussoir, avec matériel correspondant RA (tous)	194-3K	1
△13	Grille d'entrée, fonte, automatique, avec matériel correspondant XRA (tous)	194-3XRAK	1
14	Vis de capot inviolable, capots en fonte XRA, RA (tous)	100B3	1
14	Vis de capot inviolable, capots en acier DXRA (tous)	46-005023	1
15	Kit de montage de buse	34-173K	1
16	Kit de montage de bouton-poussoir (bouton, tige, bague, ressort et embout) RA (tous)	185K	1
17	Thermostat seul 19 mm (3/4 po)	1111-03	1
18	Demi-volute de soufflante avec base de montage et thermostat	211PA	1
19	Ventilateur métal	101i	1
20	Demi-volute de soufflante - Côté gauche	112P	1
21	Élément de chauffage XRA5, RA5	213	1
21	Élément de chauffage (D)XRA54, RA54, (D)XRA548, RA548	213A4	1
21	Élément de chauffage (D)XRA57, RA57	213A7	
22	Plaque signalétique, bouton-poussoir RA (tous)*	38-223	1
22	Plaque signalétique, automatique (D)XRA (tous)*	38-224	1
23	Grille, mise à la terre (tous)	12-001	1
△	Commande de capteur automatique - 115V, (D)XRA5	16-230-120 RAK	1
△	Commande de capteur automatique - 208-230V, (D)XRA54	16-240-208 RAK	1
△	Commande de capteur automatique - 220-240V, 50 Hz CE seulement (D)XRA548	16-230-240 CEK	1
△	Commande de capteur automatique - 277V, (D)XRA57	16-240-277RAK	1
△	Capteur infrarouge, œil (D)XRA (tous)	49-238	1
△	Porte-fusible, 277V, (D)XRA57, RA57	100F4A	1
△	Fusible, 1 Amp n° FNQ-1, 277V, (D)XRA57, RA57	100E3	

* Spécifier le modèle lors de la commande. △ Non représenté.

Entretien

REMARQUE : Débrancher le courant avant d'effectuer une des procédures suivantes

INSTRUCTIONS DE NETTOYAGE :

Lire toutes les instructions avant de procéder au nettoyage. Dans des conditions d'utilisation normales, le nettoyage du sèche-mains une fois par an le maintiendra en bon état de marche. Si la fréquentation des toilettes est supérieure à la normale, effectuer le nettoyage tous les 6 mois. L'accumulation de peluches et de poussières à l'intérieur du sèche-mains peut endommager le moteur et l'élément de chauffage et produire des émissions chaudes susceptibles de blesser l'utilisateur.

1. À l'aide de la clé mâle à six pans de sécurité fournie avec le sèche-mains, dévisser les deux vis de montage retenant le capot. Soutenir le capot pendant l'enlèvement des vis.
2. Enlever les trois (3) vis latérales retenant l'ensemble du carter de la soufflante. Noter la position de l'élément de chauffage et de l'écran de protection. Les fils conducteurs sont dirigés vers l'orifice de dégagement dans les moitiés du carter de la soufflante. Sans déconnecter les fils, enlever avec précaution l'élément de chauffage de son logement.
3. Nettoyer les moitiés de la roue de la soufflante en utilisant une brosse à soies radiales de 12,7 millimètres de diamètre. En veillant à ne pas tordre ni endommager les ailettes, brosser entre les ailettes pour déloger les salissures.
4. Avec un aspirateur, éliminer la poussière de la soufflante et de son carter, remettre en place l'élément de chauffage, l'écran de protection et sa moitié de carter, et revisser les trois (3) vis latérales. Serrer avec modération en veillant à ce que les pièces en mica de l'élément de chauffage soient positionnées dans leur logement et que les fils d'alimentation passent par l'orifice du carter de la soufflante.
5. En veillant à ne pas tordre la lame du minuteur, utiliser un pinceau à soies souples de 12,7 mm pour dépoussiérer et dégraisser le moteur et le minuteur.
6. Utiliser une brosse dure pour nettoyer les salissures à l'intérieur des grilles de sortie et d'entrée d'air. Il peut être nécessaire d'utiliser de l'eau pour évacuer les salissures de la grille d'entrée. En cas d'utilisation d'eau, sécher l'intérieur du capot avant de le remonter.
7. Inspecter les balais du moteur. Pour cela, insérer un cure-dents dans l'orifice à l'extrémité de l'ensemble des balais. Si le cure-dents s'enfonce de plus de 2,5 cm, remplacer les balais. (Voir la rubrique Remplacement des balais du moteur.)
8. Remonter le capot en le plaçant droit sur la base et en le poussant contre le mur. Insérer les deux vis de montage du capot et les serrer jusqu'à ce qu'elles soient bien ajustées, sans toutefois les serrer excessivement.

REPLACEMENT DES BALAIS DU MOTEUR

1. Enlever la pince à ressort de verrouillage retenant le porte-balais.
2. Sortir lentement du moteur le capuchon des balais jusqu'à apparition du connecteur électrique.
3. Détacher le connecteur et enlever l'ensemble des balais et du porte-balais.

REMARQUE : Pendant le déballage hors du carton d'expédition de l'ensemble des balais, il est important de maintenir solidement les balais en carbone dans le porte-balais. N° de pièce 206NL

4. Introduire le nouvel ensemble jusqu'à la position où le raccordement des fils par raccord rapide peut être effectué.
5. Pousser l'un contre l'autre les raccords rapides sur le moteur et le manchon des balais.
6. Remettre l'ensemble des balais dans sa position de fonctionnement et insérer la pince à ressort de verrouillage.

REPLACEMENT DE L'ÉLÉMENT DE CHAUFFAGE

1. Enlever les trois vis retenant ensemble les éléments du carter de la soufflante (n°s de pièce 211P et 112P) et enlever l'élément 112P.
2. Déconnecter les fils blancs de l'élément de chauffage sur le bornier et le commutateur. Remplacer l'élément de chauffage en s'assurant que la tension et l'ampérage sont corrects, et en veillant à le connecter d'une manière identique à l'ancien élément.
3. Maintenir l'élément en position sur côté stationnaire du carter de la soufflante et glisser le côté amovible du carter en position, en veillant à ce que les armatures de l'élément se placent dans les logements du carter de la soufflante et que les deux fils se trouvent dans le passage à la partie supérieure de la sortie d'air. Remonter l'écran de protection et les trois vis retenant ensemble les éléments du carter de la soufflante.
4. Reconnecter les fils au bornier et au commutateur. S'assurer que tous les fils sont correctement reconnectés et que le câblage correspond au schéma de câblage.

REPLACEMENT DU MINUTEUR POUR LES MODÈLES RA

1. Enlever les vis de chacune des deux bornes du minuteur, en marquant les fils afin de permettre une reconnexion correcte au moment du remontage.
2. Remplacer le minuteur défectueux. (Pour la commande du minuteur, spécifier le modèle du sèche-mains.)
3. Reconnecter les fils aux bornes du minuteur.
4. Remettre le capot en place (en s'assurant qu'il est bien ajusté sur la base) et le pousser contre le mur, puis visser les deux vis de montage sans les serrer excessivement.
5. Mettre le sèche-mains sous tension.

Schémas de câblage

Schéma de câblage - Modèle RA5

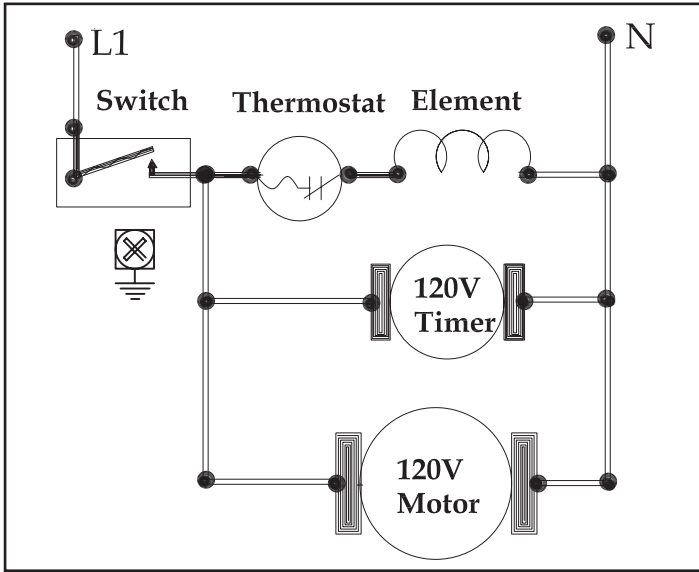


Schéma de câblage - Modèle RA54/RA548

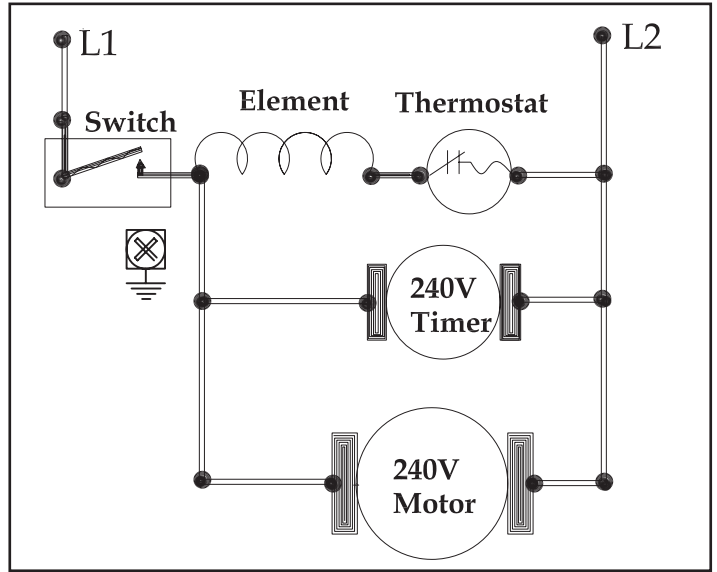


Schéma de câblage - Modèle (D) XRA5

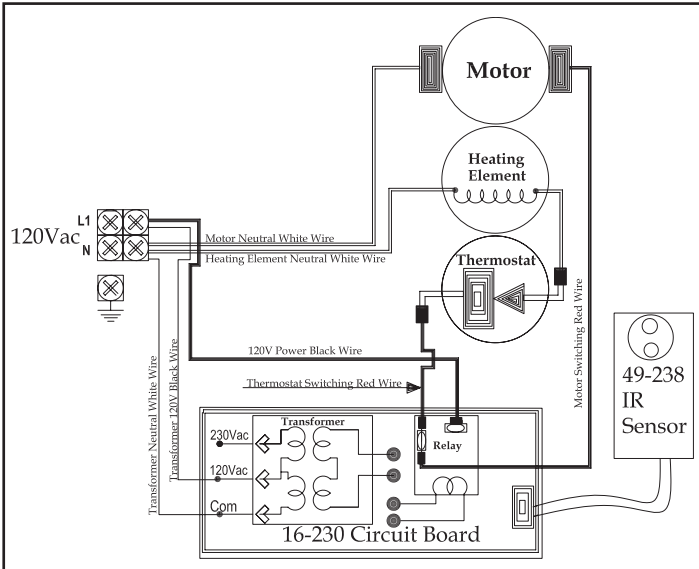


Schéma de câblage - Modèle (D) XRA54

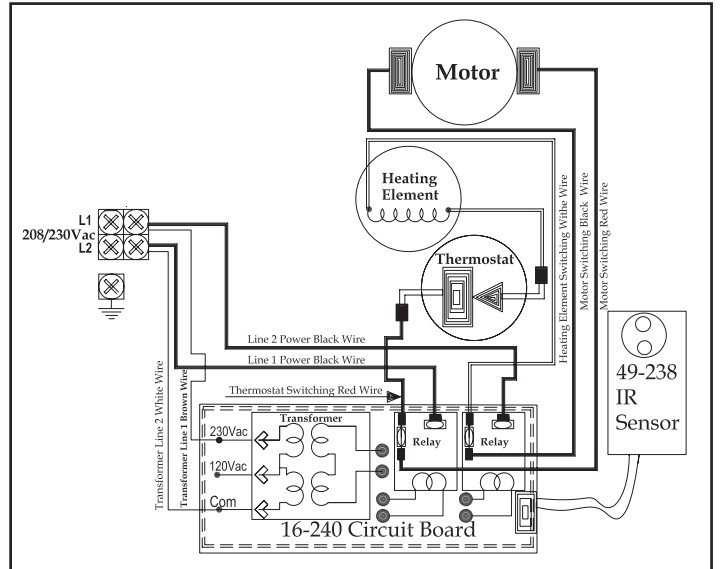


Schéma de câblage - Modèle (D) XRA548

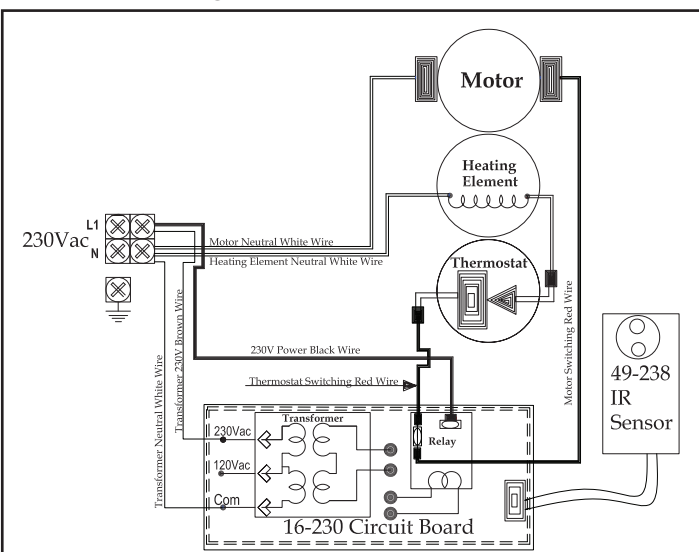


Schéma de câblage - Modèle (D) XRA57

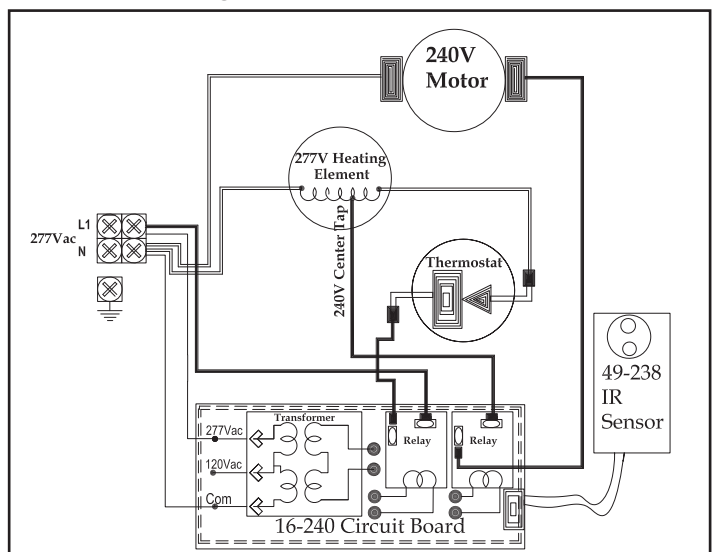


Tableau de dépannage

Tout dépannage ne doit être effectué que par un électricien agréé.

Symptôme	Modèle	Cause(s) possible(s)	Action corrective
Le sèche-main ne démarre pas.	XRA	Obstruction du capteur	1. Vérifier que la lentille du capteur ne contient pas de corps étrangers ni de salissures. Nettoyer la lentille avec un chiffon doux humide et un nettoyant doux. 2. Si la lentille est endommagée ou rayée, la remplacer.
	Tous	Le sèche-mains n'est pas alimenté électriquement	Vérifier qu'il y a du courant. Vérifier les branchements électriques.
	XRA	Carte de circuits imprimés (PCB) et capteur défectueux	Placer les mains sous le capteur. Écouter le PCB. Le relais clique. Si l'on entend aucun clic, remplacer le PCB et le capteur.
	XRA	Moteur défectueux	Si l'on entend le clic du relais, l'élément de chauffage rougeoit pendant 1 ou 2 secondes, mais le sèche-mains ne démarre pas, remplacer le moteur.
Le sèche-main fonctionne pendant environ cent secondes et ne redémarre plus.	RA	Minuteur / commutateur défectueux	Avec le capot du sèche-mains déposé, appuyer sur la lame du minuteur ; a. Le moteur du minuteur devrait tourner. b. À l'aide d'un ohmmètre, vérifier la continuité des bornes du minuteur. « Non » dans les deux tests, remplacer le minuteur ; « Oui » dans les deux tests, remplacer le moteur.
	XRA	Obstruction du capteur	1. Vérifier que la lentille du capteur ne contient pas de corps étrangers ni de salissures. Nettoyer la lentille avec un chiffon doux humide et un nettoyant doux. 2. Si la lentille est endommagée ou rayée, remplacer le capteur.
Le sèche-main est allumé continuellement et ne s'éteint plus.	RA	Minuteur défectueux	Avec le capot du sèche-mains déposé, appuyer sur la lame du minuteur ; Le moteur du minuteur devrait tourner. « Non », remplacer le minuteur.
Le sèche-main démarre tout seul sans la présence de mains.	XRA	Le capteur reçoit de faux signaux ou une réflexion Ou Alimentation électrique fluctuante	1. Le sèche-main doit être monté au moins à 45,7 cm au-dessus de toute surface réfléchissante. 2. Vérifier si d'autres appareils à infrarouge se trouvent à proximité et déclenchent le sèche-main. 3. Plusieurs sèche-mains sur un seul circuit ou sèche-mains partageant un circuit d'éclairage. Les sèche-mains automatiques doivent se trouver sur des circuits dédiés. 4. Les câbles de l'immeuble peuvent être de calibre insuffisant ou à une distance trop importante de la source d'alimentation. 5. Remplacer le PCB et le capteur.
Le sèche-main souffle de l'air froid.	Tous	Élément chauffant défectueux ou thermostat défectueux	1. Vérifier s'il y a une cassure dans le fil de l'élément. 2. Vérifier la continuité de l'élément de chauffage et le thermostat. Si ouvert, remplacer le cas échéant.
Air du sèche-main trop chaud.	Tous	La machine est sale	1. Vérifier qu'il n'y a pas de corps étrangers. À l'aide d'une brosse souple et d'un aspirateur, nettoyer le ventilateur et le moteur. 2. Remplacer le moteur s'il tourne lentement ou de manière erratique.
Sèche-main bruyant ou qui vibre.	Tous	Le ventilateur n'est pas centré dans le boîtier ■ Corps étranger dans le ventilateur. ■ Ventilateur cassé ou tordu. ■ Axe du moteur tordu.	1. Le ventilateur frotte peut-être contre le bord du caisson du ventilateur. Pour centrer le ventilateur : a. Pour les ventilateurs en plastique, cogner doucement sur le moyeu du ventilateur avec un tournevis et un petit marteau pour le centrer jusqu'à ce que le ventilateur tourne librement. b. Sur les ventilateurs métalliques, dévisser l'ensemble de vis et ajuster le ventilateur jusqu'à ce qu'il tourne librement. 1. Vérifier qu'il n'y a pas de corps étrangers. À l'aide d'une brosse souple et d'un aspirateur, nettoyer le ventilateur et le moteur. 1. Remplacer le ventilateur. 1. Remplacer le moteur.

Garantie limitée

GARANTIE LIMITÉE DE DIX ANS DE WORLD DRYER. Le modèle de sèche-main à air chaud World Dryer couvert dans ce manuel est garanti par World Dryer Corporation au premier utilisateur contre tout défaut de fabrication ou de matériau dans des conditions d'utilisation normales durant 10 ans à compter de la date d'achat. Toute pièce présentant, selon World Dryer, des défauts de fabrication ou de matériau et retournée, port payé, à un centre de service autorisé, sera réparée ou remplacée au choix de World Dryer, à titre de recours exclusif. Voir les procédures de réclamations sous garantie sous la rubrique « PROMPT RÉGLEMENT », ci-après. La présente garantie donne aux acheteurs des droits spécifiques qui varient selon les juridictions.

LIMITES DE RESPONSABILITÉ. Dans la mesure permise au titre de la loi applicable, World Dryer décline expressément toute responsabilité pour tout dommage accessoire et indirect. La responsabilité de World Dryer est dans tous les cas limitée et ne saurait dépasser le prix d'achat.

CLAUSE D'EXONÉRATION DE GARANTIE. World Dryer s'est diligemment efforcée d'illustrer et de décrire de manière exacte les produits de cette brochure. Cependant, ces illustrations et ces descriptions ne sont données qu'à titre d'identification et ne garantissent pas expressément ou implicitement que les produits sont de QUALITÉ MARCHANDE ou ADAPTÉS À UN USAGE PARTICULIER, ou qu'ils seront nécessairement conformes aux illustrations ou aux descriptions fournies. Sauf dispositions contraires ci-dessous, aucune garantie ou affirmation de fait, expresse ou implicite, autre que celle énoncée à la rubrique « GARANTIE LIMITÉE » ci-dessus, n'est fournie ou autorisée par World Dryer.

ADÉQUATION DU PRODUIT. Dans de nombreuses juridictions, les normes et les réglementations qui régissent les ventes, la construction, l'installation et/ou l'utilisation de produits pour certains usages peuvent être différentes de celles de régions avoisinantes. Bien que World Dryer se soit efforcée de rendre ses produits conformes à ces normes, la société ne peut en garantir la conformité et ne saurait être responsable de la manière dont les produits sont installés ou utilisés. Avant d'acheter et d'utiliser un produit, il est conseillé d'étudier son application ainsi que les normes et réglementations nationales et locales, et de s'assurer de la conformité à ces normes de ces produits, de leur installation et de leur utilisation. Certains aspects des dénis de garantie ne sont pas applicables aux produits de consommation. Par exemple, (a) certaines juridictions n'autorisent pas l'exclusion ou la limitation des dommages accessoires ou indirects, de sorte que la limitation ou l'exclusion susmentionnée peut ne pas s'appliquer à votre cas ; (b) en outre, certaines juridictions n'autorisent pas de limite sur la durée d'une garantie implicite, par conséquent la limite susmentionnée peut ne pas s'appliquer à votre cas ; et (c) en vertu de la loi, durant la période de garantie limitée, toute garantie implicite de qualité marchande ou d'adéquation à un usage particulier applicable aux produits de consommation achetés par des consommateurs est susceptible de ne pas pouvoir être exclue ou autrement déniée. Fabriqué par World Dryer Corporation, Berkeley, Illinois 60163 États-Unis.

PROMPT RÉGLEMENT. World Dryer s'engage à effectuer de bonne foi les rectifications ou autres ajustements prévus pour tout produit qui s'avère défectueux durant la période de garantie limitée. Pour tout produit jugé défectueux durant la période de garantie limitée, contacter tout d'abord le concessionnaire où l'appareil a été acheté. Le concessionnaire fournira des instructions supplémentaires. S'il est impossible de résoudre le problème de façon satisfaisante, écrire à World Dryer, en indiquant le nom et l'adresse du concessionnaire, la date et le numéro de la facture du concessionnaire, ainsi que la nature du défaut constaté. Le titre et le risque de perte passent à l'acheteur au moment de la livraison par le transporteur. Si le produit a été endommagé pendant le transport, une réclamation doit être adressée auprès du transporteur.