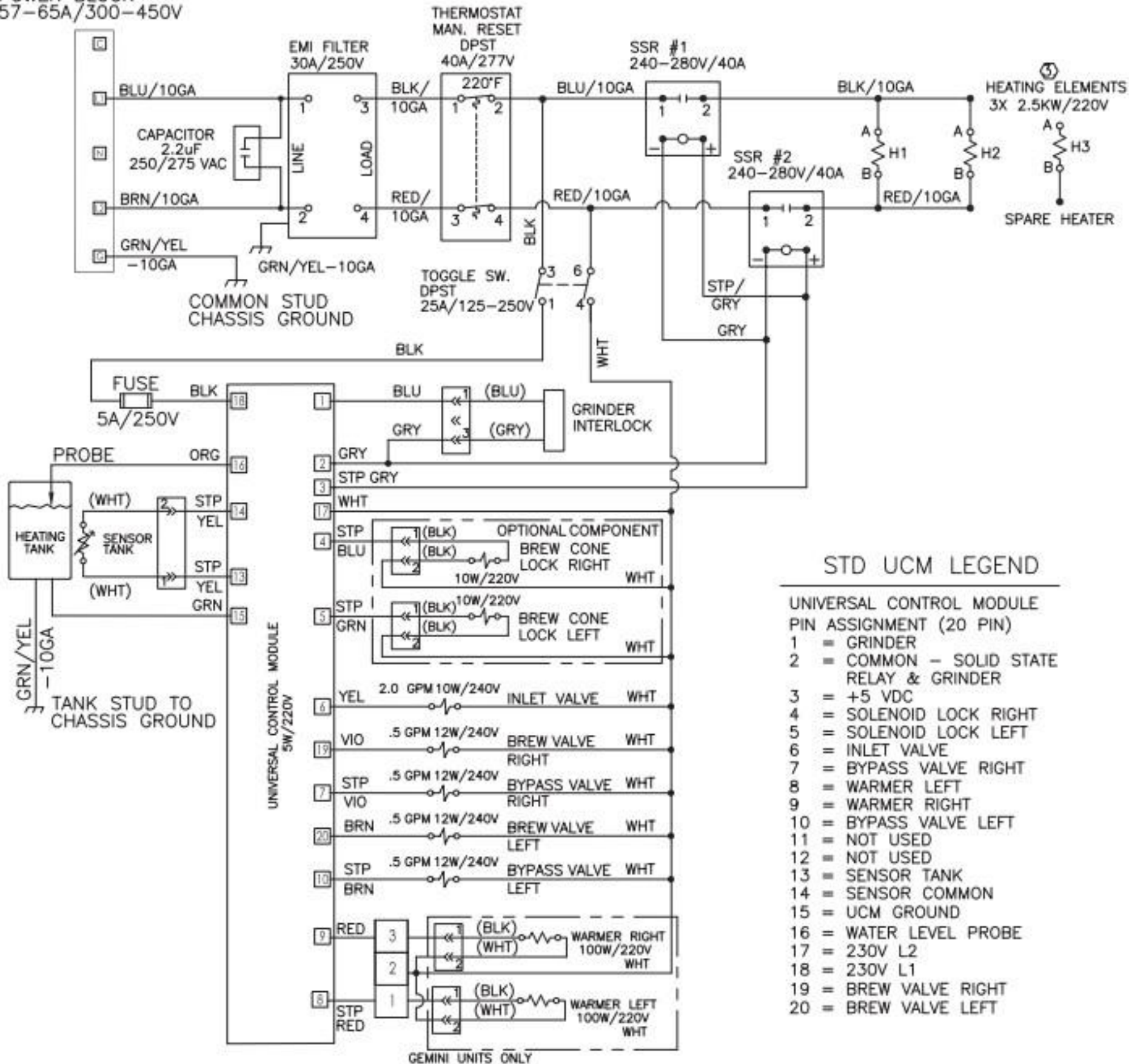


INCOMING POWER
230V_{ac} 1PH
2W+G 50/60 Hz

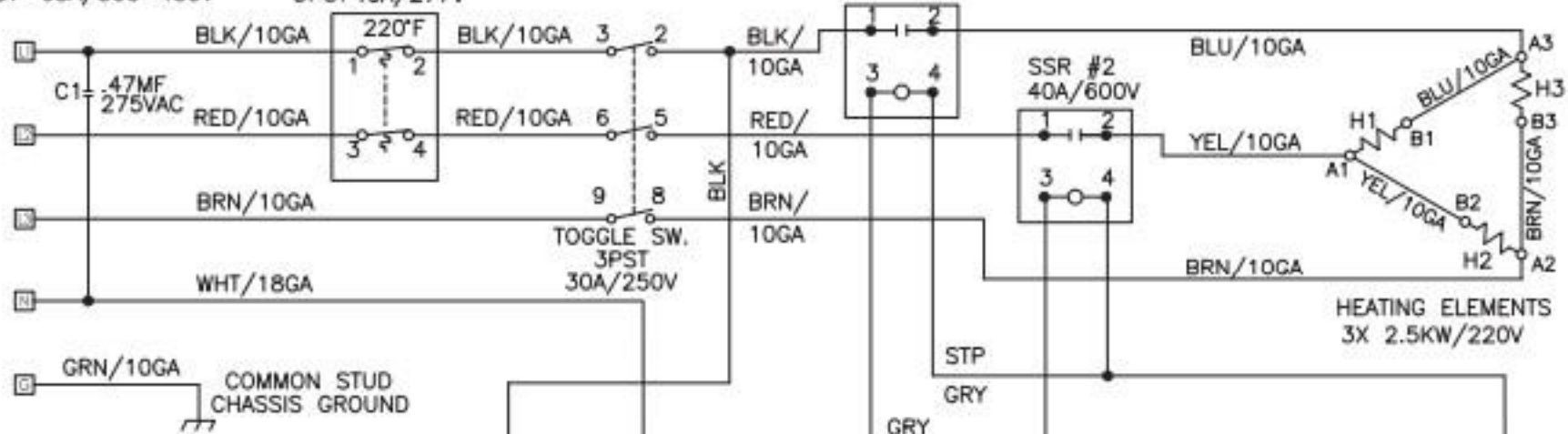
POWER BLOCK
57-65A/300-450V



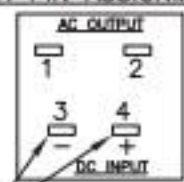
POWER BLOCK
57-65A/300-450V

THERMOSTAT
MAN. RESET
DPST 40A/277V

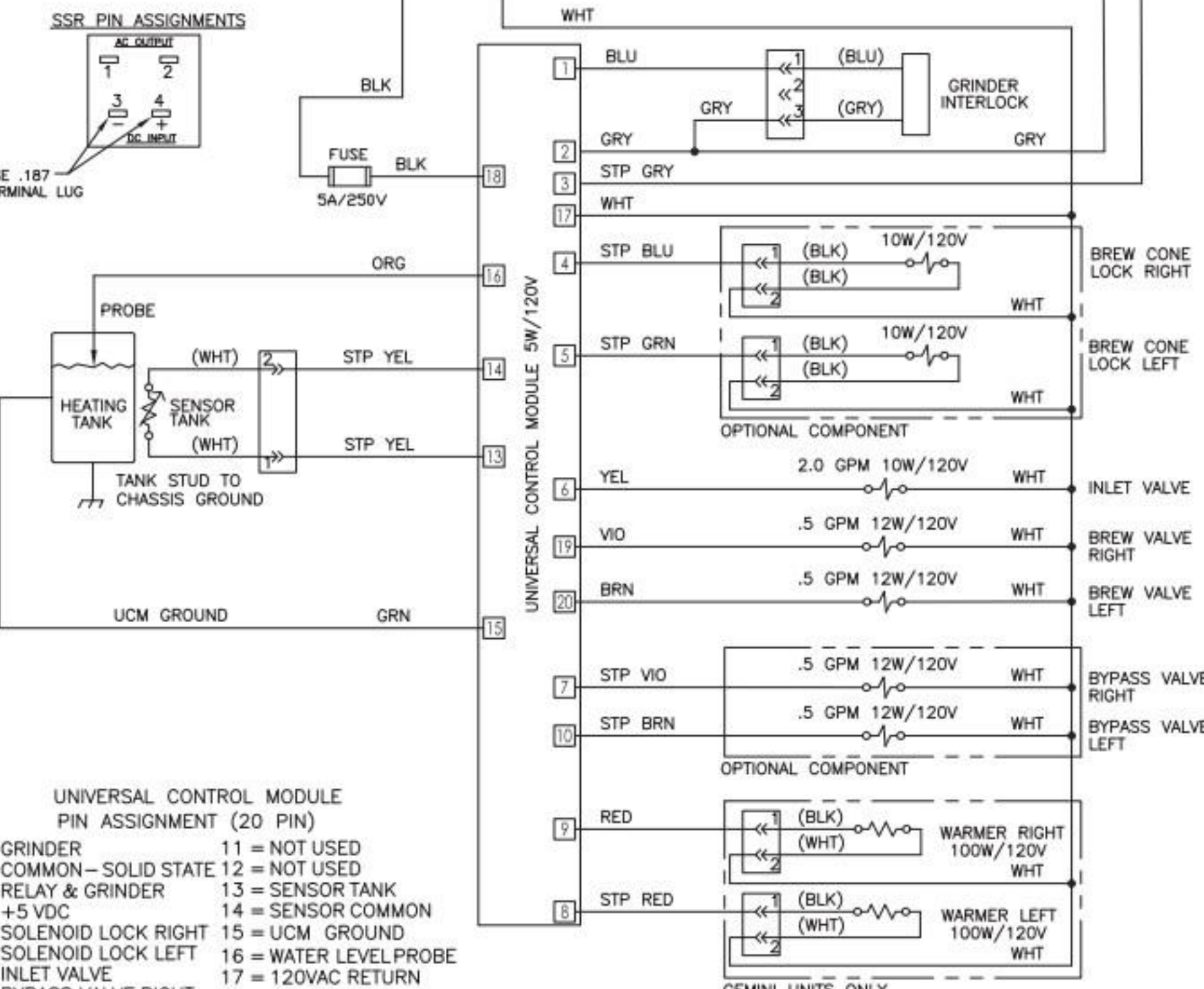
SSR #1
40A/600V



SSR PIN ASSIGNMENTS



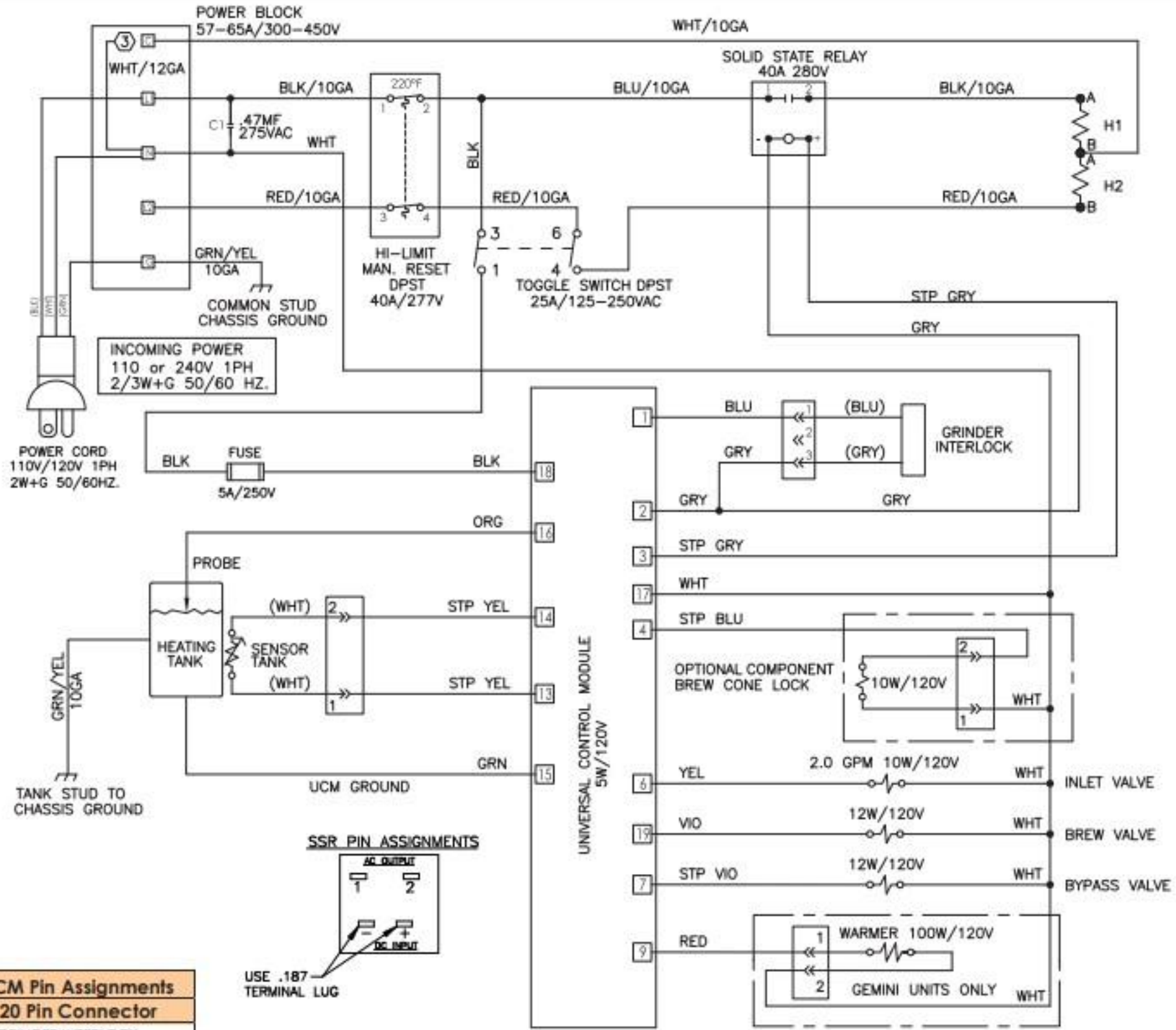
USE .187
TERMINAL LUG



UNIVERSAL CONTROL MODULE
PIN ASSIGNMENT (20 PIN)

- 1 = GRINDER
- 2 = COMMON - SOLID STATE RELAY & GRINDER
- 3 = +5 VDC
- 4 = SOLENOID LOCK RIGHT
- 5 = SOLENOID LOCK LEFT
- 6 = INLET VALVE
- 7 = BYPASS VALVE RIGHT
- 8 = WARMER LEFT
- 9 = NOT USED
- 10 = NOT USED
- 11 = NOT USED
- 12 = NOT USED
- 13 = SENSOR TANK
- 14 = SENSOR COMMON
- 15 = UCM GROUND
- 16 = WATER LEVEL PROBE
- 17 = 120VAC RETURN
- 18 = 120VAC HOT
- 19 = BREW VALVE RIGHT
- 20 = BREW VALVE LEFT

GEMINI UNITS ONLY



UCM Pin Assignments
20 Pin Connector
GRINDER INTERLOCK

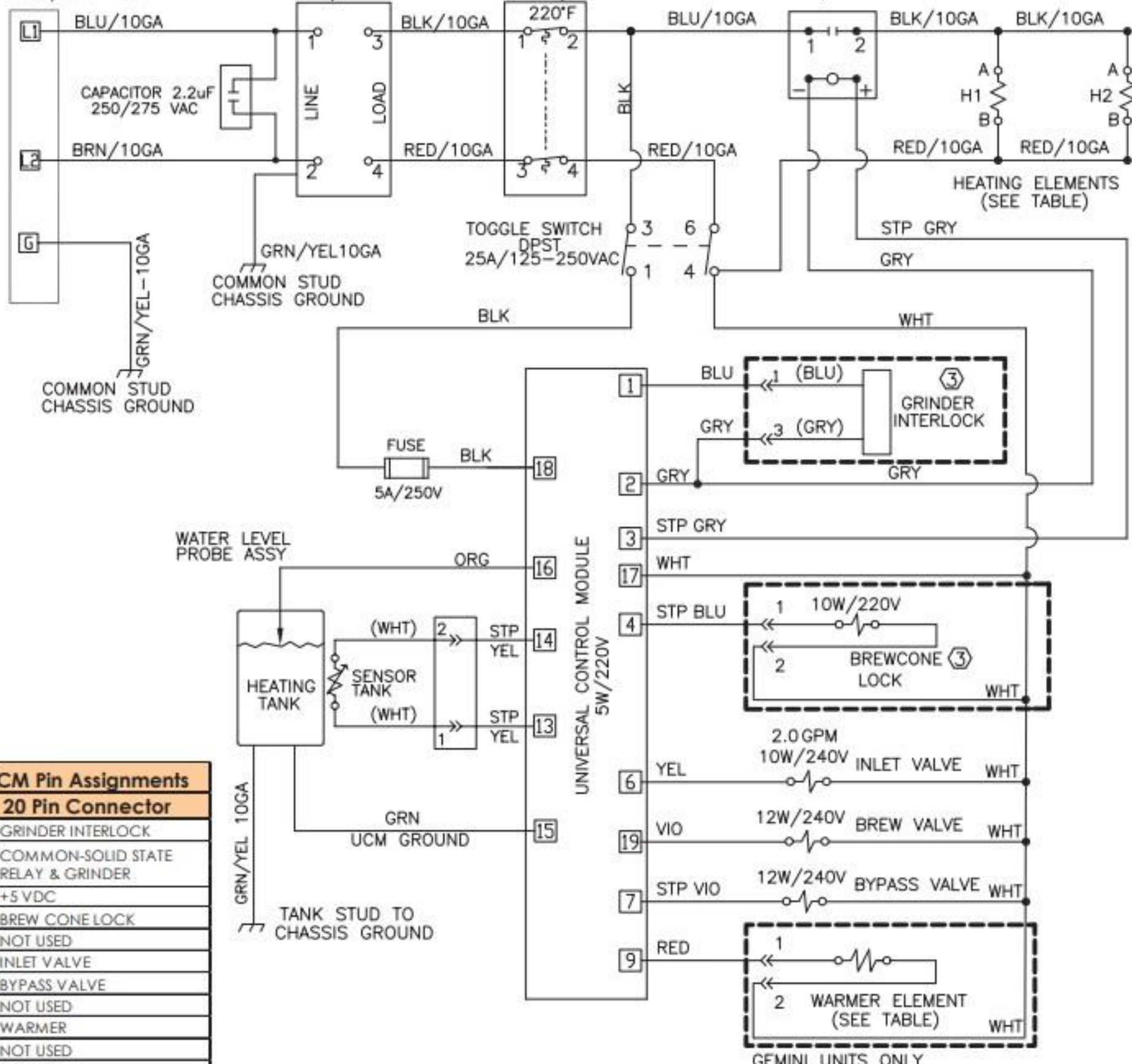
INCOMING POWER
220-240VAC 1PH
2W+G 50/60 Hz

POWER BLOCK
57-65A/300-450V

EMI FILTER
30A/250V

HI-LIMIT MAN. RESET
DPST 40A/277V

SOLID STATE RELAY
40A/280V



UCM Pin Assignments 20 Pin Connector	
1	GRINDER INTERLOCK
2	COMMON-SOLID STATE RELAY & GRINDER
3	+5 VDC
4	BREW CONE LOCK
5	NOT USED
6	INLET VALVE
7	BYPASS VALVE
8	NOT USED
9	WARMER
10	NOT USED
11	NOT USED