

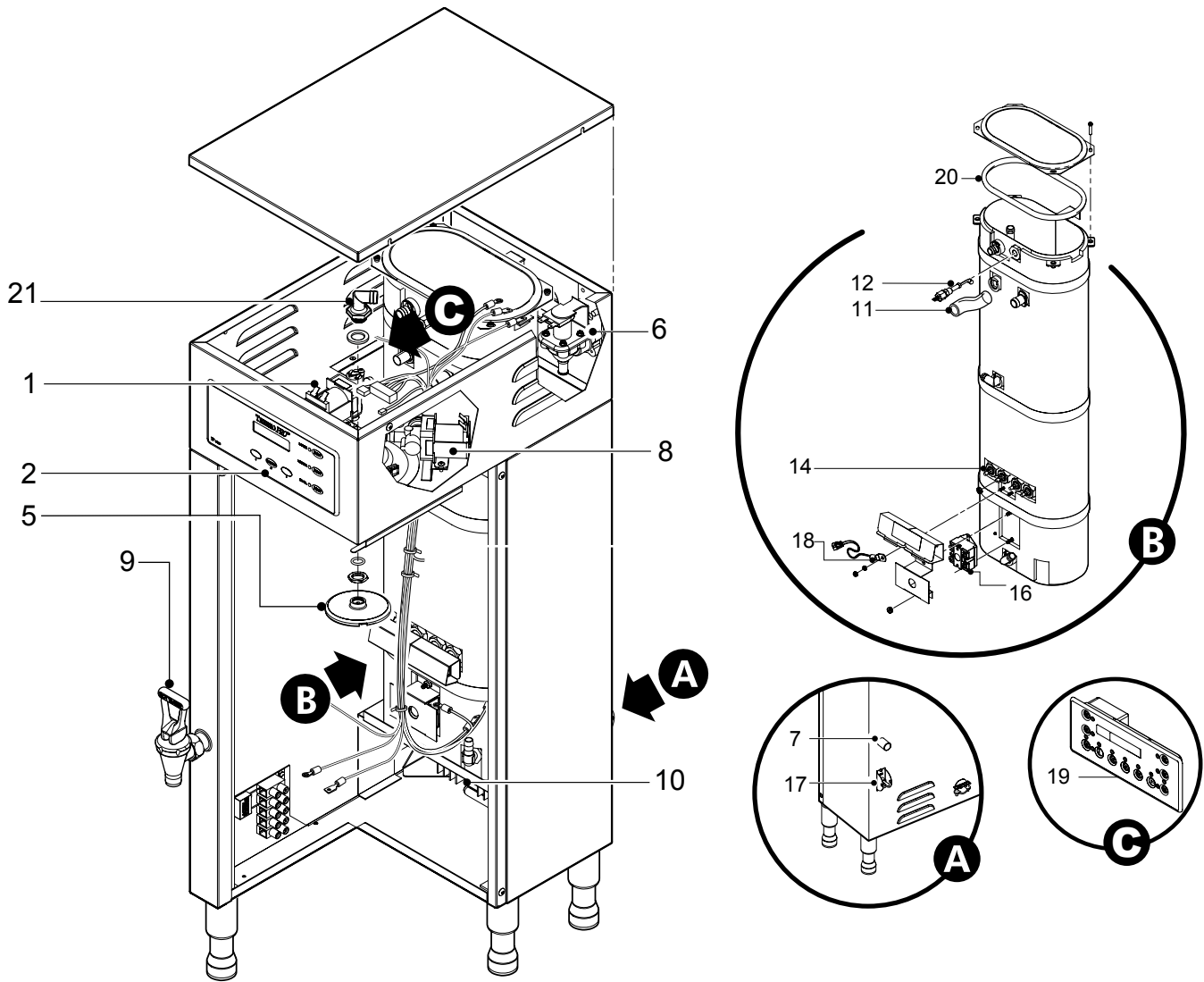


THERMOPRO BREWERS

TROUBLESHOOTING GUIDE



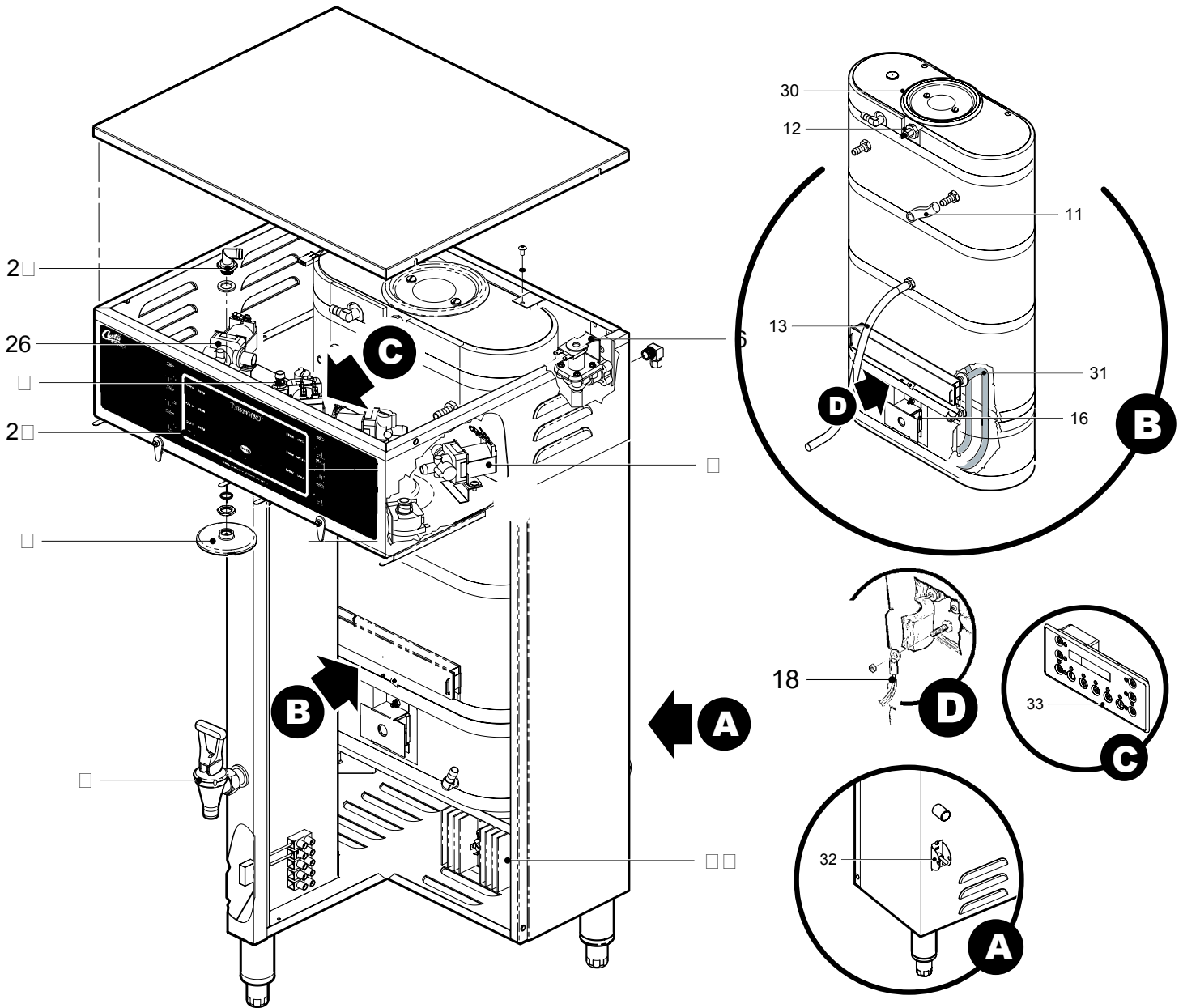
TP15S10A1500 SINGLE BREWER PARTS IDENTIFICATION



PART #	DESCRIPTION
1. WC- 844-101	VALVE, ADJ BY-PASS
2. WC-39444	LABEL, UCM OVERLAY TP2S 3-BATCH
3. WC-39417	LABEL, UCM OVERLAY TP2S 1-BATCH
4. WC-39416	LABEL, UCM OVERLAY TP2S 2-BATCH
5. WC-29050	SPRAYHEAD ASSY, ADVANCED FLOW
6. WC- 847	VALVE, WATER INLET 2GPM 120V 10W
7. WC-1501	FUSE HOLDER W/5A FUSE
8. WC-37122	KIT, DUMP VALVE BREW RIGHT
9. WC-1825	FAUCET ASSY, HOT WATER TP2S/2T
10. WC-8559	RELAY, SOLID STATE 40A W/HEAT SINK
11. WC-5350	TUBE, ½ ID x 1/8W SILICONE
12. WC-5502-01	KIT, PROBE, ASSY WATER LEVEL
13. WC-5310	TUBING, 5/16" ID X 1/8" W SILICONE

PART #	DESCRIPTION
14. WC- 904-04	ELEMENT, HEATING 1.6KW 120V W/JAM NUTS
15. WC- 906-04	ELEMENT, HEATING 2KW 220V W/JAM NUTS
16. WC- 522	THERMOSTAT, RESET
17. WC- 103	SWITCH, TOGGLE 25A 125/250VAC RST
18. WC-1438-101	SENSOR, HEATING TANK
19. WC- 723	CONTROL MODULE, 120V TP2S/TP2T
20. WC-43062	GASKET, TANK LID
21. WC-2977-101K	KIT, SPRAYHEAD FITTING ULTEM
22. WC-37317	9MM STRAIGHT FITTING
23. WC-37357	12MM STRAIGHT FITTING
24. WC-37365	INLET FITTING
25. WC-37266	OVERFLOW FITTING

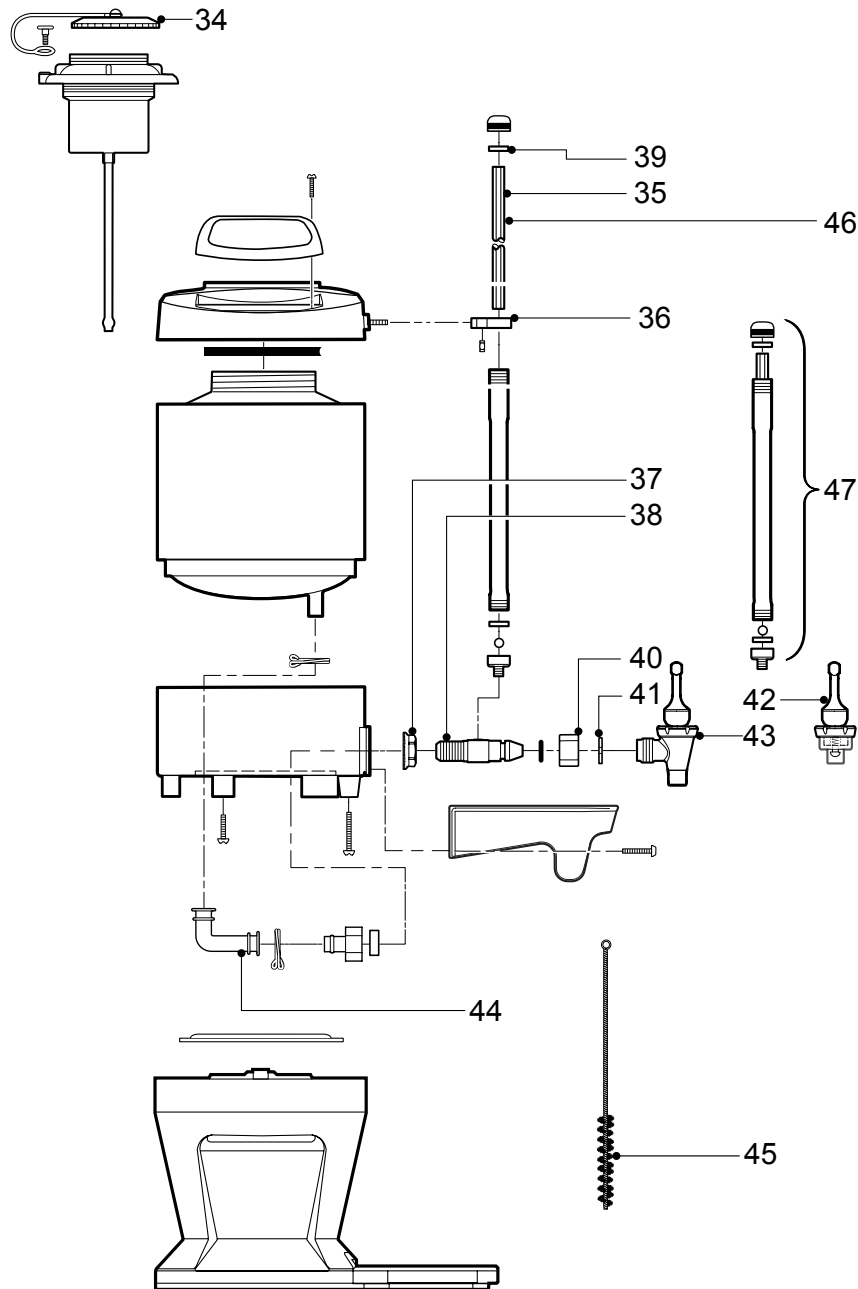
TP15T10A1100 TWIN BREWER PARTS IDENTIFICATION



PART #	DESCRIPTION
1. WC- 844-101	VALVE, ADJ BY-PASS
5. WC-29050	SPRAYHEAD ASSY, ADVANCED FLOW
6. WC- 847	VALVE, WATER INLET 2GPM 120V 10W
8. WC-37122	KIT, DUMP VALVE BREW RIGHT
9. WC-1825	FAUCET ASSY, HOT WATER TP2S/2T
10. WC-8559	RELAY, SOLID STATE 40A W/HEAT SINK
11. WC-5350	TUBE, ½ ID x 1/8W SILICONE
13. WC-5310	TUBING, 5/16" ID X 1/8" W SILICONE
16. WC- 522	THERMOSTAT, RESET
18. WC-1438-101	SENSOR, HEATING TANK
19. WC- 723	CONTROL MODULE, 120V TP2S/TP2T

PART #	DESCRIPTION
20. WC-43062	GASKET, TANK LID
21. WC-2977-101K	KIT, SPRAYHEAD FITTING ULTEM
26. WC- 37121	KIT, DUMP VALVE BREW LEFT
27. WC-39442	LABEL, UCM OVERLAY TP2T TWIN 3-BATCH
28. WC-39415	LABEL, UCM OVERLAY TWIN 2-BATCH
29. WC-39414	LABEL, UCM OVERLAY TWIN 1-BATCH
30. WC-37008	KIT, TANK LID ROUND
31. WC- 934-04	ELEMENT, HEATING 2.5 KW 220V W/JAM NUTS
32. WC- 102	SWITCH, TOGGLE 125/250 VAC RESISTIVE
33. WC-37176	KIT, UCM & LABEL INSTRUCTIONS THERMOPRO

TXSG1501S600 THERMAL SERVER PARTS IDENTIFICATION

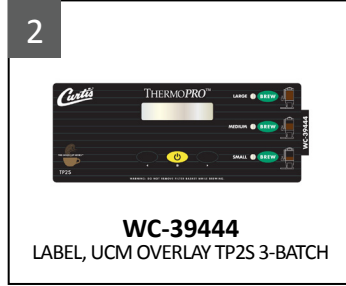


PART #	DESCRIPTION	PART #	DESCRIPTION
34. WC-37387	KIT, CAP, TETHER & SCREW TXSG	41. WC-1906	C' RING .917 x .760 x .090
35. WC-2025	GLASS, GAUGE 8" TLXSG10	42. WC-3705	KIT, FAUCET REPAIR
36. WC-2063	BRACKET, GAGE GLASS RING	43. WC-1841	FAUCET, ESP BLACK LOCKING
37. WC-1939-101	NUT, FLANGED	44. WC-2456	ELBOW, SILICONE STRT SIDE SRV
38. WC-1938	SHANK, PLASTIC	45. WC-36076	BRUSH, GAGE GLASS
39. WC-2005	WASHER, SHIELD CAP 1/8"	46. WC-37396	KIT, GLASS GAUGE 10" 3PK TXSG15
40. WC-1903	NUT, UNION SHANK	47. WC-37395	KIT, GAUGE ASSY 10" BLK TXSG15

PARTS IMAGES



WC-844-101
VALVE, ADJ BY-PASS



WC-39444
LABEL, UCM OVERLAY TP2S 3-BATCH



WC-39417
LABEL, UCM OVERLAY TP2S 1-BATCH



WC-39416
LABEL, UCM OVERLAY TP2S 2-BATCH



WC-29050
SPRAYHEAD ASSY, ADVANCED FLOW



WC-847
VALVE, WATER INLET 2GPM 120V 10W



WC-1501
FUSE HOLDER W/5A FUSE



WC-37122
KIT, DUMP VALVE BREW RIGHT



WC-1825
FAUCET ASSY, HOT WATER TP2S/2T



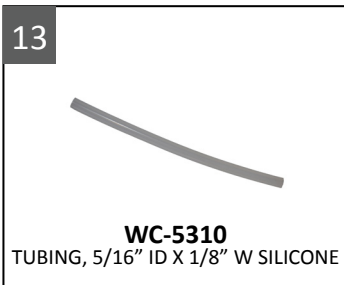
WC-8559
RELAY, SOLID STATE 40A W/HEAT SINK



WC-5350
TUBE, 1/2 ID x 1/8W SILICONE



WC-5502-01
KIT, PROBE, ASSY WATER LEVEL



WC-5310
TUBING, 5/16 ID X 1/8 W SILICONE



WC-904-04
ELEMENT, HEATING 120V W/JAM NUTS



WC-906-04
ELEMENT, HEATING 220V W/JAM NUTS



WC-522
THERMOSTAT, RESET



WC-103
SWITCH, TOGGLE RST



WC-1438-101
SENSOR, HEATING TANK



WC-723
CONTROL MODULE, 120V TP2S/TP2T



WC-43062
GASKET, TANK LID



WC-2977-101K
KIT, SPRAYHEAD FITTING ULTEM



WC-37317
9MM STRAIGHT FITTING



WC-37357
12MM STRAIGHT FITTING



WC-37365
INLET FITTING

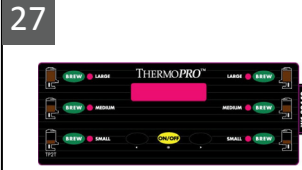
PARTS IMAGES



25
WC-37266
OVERFLOW FITTING



26
WC-37121
KIT, DUMP VALVE BREW LEFT



27
WC-39442
LABEL, UCM TP2T TWIN 3-BATCH



28
WC-39415
LABEL, UCM OVERLAY TWIN 2-BATCH



29
WC-39414
LABEL, UCM OVERLAY TWIN 1-BATCH



30
WC-37008
KIT, TANK LID ROUND



31
WC-934-04
ELEMENT, HEATING W/JAM NUTS



32
WC-102
SWITCH, TOGGLE RESISTIVE



33
WC-37176
KIT, UCM & LABEL



34
WC-37387
KIT, CAP, TETHER & SCREW TXSG



35
WC-2025
GLASS, GAUGE 8" TLXSG10



36
WC-2063
BRACKET, GAGE GLASS RING



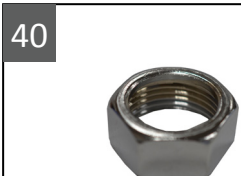
37
WC-1939-101
NUT, FLANGED



38
WC-1938
SHANK, PLASTIC



39
WC-2005
WASHER, SHIELD CAP 1/8"



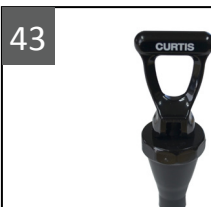
40
WC-1903
NUT, UNION SHANK



41
WC-1906
C' RING .917 x .760 x .090



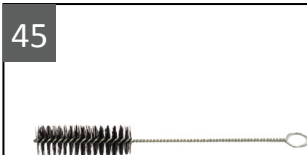
42
WC-3705
KIT, FAUCET REPAIR



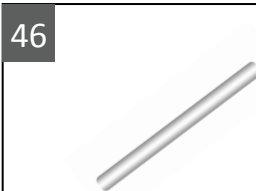
43
WC-1841
FAUCET, ESP BLACK LOCKING



44
WC-2456
ELBOW, SILICONE STRT SIDE SRV



45
WC-36076
BRUSH, GAGE GLASS



46
WC-37396
KIT, GLASS GAUGE 10" 3PK TXSG15



47
WC-37395
KIT, GAUGE ASSY 10" BLK TXSG15

TROUBLESHOOTING INSTRUCTIONS

HEATING ISSUES

Not heating:

LCD reads "Heating"

- 1 Verify 220 volts between L1-L2 on the power block. If yes, proceed to #2. If no, verify that the unit is plugged in correctly, and that the panel breaker is turned on.
- 2 Verify 220 volts between #2 & #4 on the Manual Reset Thermostat. If yes, proceed to #3, if no, reset or replace the Manual Reset Thermostat.
- 3 Verify 220 volts across the Toggle Switch. If yes, proceed to #4. If no, replace the toggle switch.
- 4 Verify 220 volts across the Heating Elements. If yes, proceed to #5. If no, verify 5 VDC on the SSR. If yes, replace the Solid State Relay, if no, replace the UCM.
- 5 Verify 19 ohm across each active Heating Element, and replace any Heating Element that reads "OPEN"

Overheating:

LCD reads "Heating"

Verify that the resistance on the Temperature Sensor is less than 10k ohms with a hot tank (200+ degrees) If no, verify correct mounting and that the walls of the tank are free of mineral deposits. If yes, bypass the sensor using a jumper with a 5k ohm resistor. If the LCD reads "ready" and the unit stops heating, replace the temperature sensor, if not, replace the UCM.

LCD reads "Ready to Brew"

Check the A.C. side of the SSR for continuity. if continuity is present, replace the SSR, if no continuity, replace UCM.

TANK FILLING ISSUES

Not filling:

Is the water turned on?

- Yes: Verify 120 volts at inlet valve coil.
- Yes: Replace Inlet Valve
- No: Remove Orange wire from the Water Level Probe. Does the Tank Fill?
- Yes: Replace Water Level Probe.
- No: Replace UCM

Overfilling:

Does the tank continue to fill after the toggle switch has been turned off ?

- Yes: Replace Water Inlet Valve.
- No: Remove the Orange wire from the Water Level Probe and connect it to ground. Does the tank stop filling?
- Yes: Replace the Water Level Probe
- No: Replace the UCM

BREWING ISSUES

LCD does not read “Brewing”

If the LCD reads “Ready to Brew” and no response when Brew Button is pressed, replace the UCM.

LCD reads “Brewing”

No water flow from the sprayhead:

Does water flow from the hot water faucet?

If yes, verify 120 volts at the dump valve coil.

If voltage is present at the dump valve coil, replace the dump valve.

If 120 volts is not present at the dump valve coil, confirm continuity of wiring between molex connector and Dump Valve.

If okay, replace the UCM. (Verify the resistance on the dump valve coil to be open in one direction, and under 2k ohm in the other direction BEFORE REPLACING THE UCM).

If water does not flow from the hot water faucet, replace the Water Level Probe.

*Ensure correct alignment of the sprayhead fitting and that the tubing is routed properly to allow for maximum water flow.

*Ensure that the sprayhead is free of mineral deposits, in good repair, and properly connected.

Short Pots:

Verify that the Dump Valve outlet fitting on the tank, the tubing between the tank outlet and the Sprayhead fitting, the Sprayhead, and Dump Valve are clear of obstructions.

Ensure correct alignment of the sprayhead fitting and that the tubing is routed properly to allow for maximum water flow.

Verify that the Hot Water Tank is filling correctly. If not, replace the Water Level Probe.

If all the above are okay, replace the Dump Valve.

Overflowing the Pots:

Ensure that the Sprayhead has not been removed. Replace as needed.

Ensure that the Hot Water Tank is not overflowing (See Tank Filling Issues).

Ensure Cold Brew Lock is set to 5 degrees.

Ensure that Lime / Debris are not a factor. If all the above are okay, replace the Dump Valve.



Wilbur Curtis Co., Inc.

6913 Acco Street, Montebello CA 90640
Customer Service: 800.421.6150 | 323.837.2300
csrassistance@wilburcurtis.com
Tech Support: 800.995.0417
www.wilburcurtis.com

JUNE/2014 M54_TS_WC_TP_revNC