

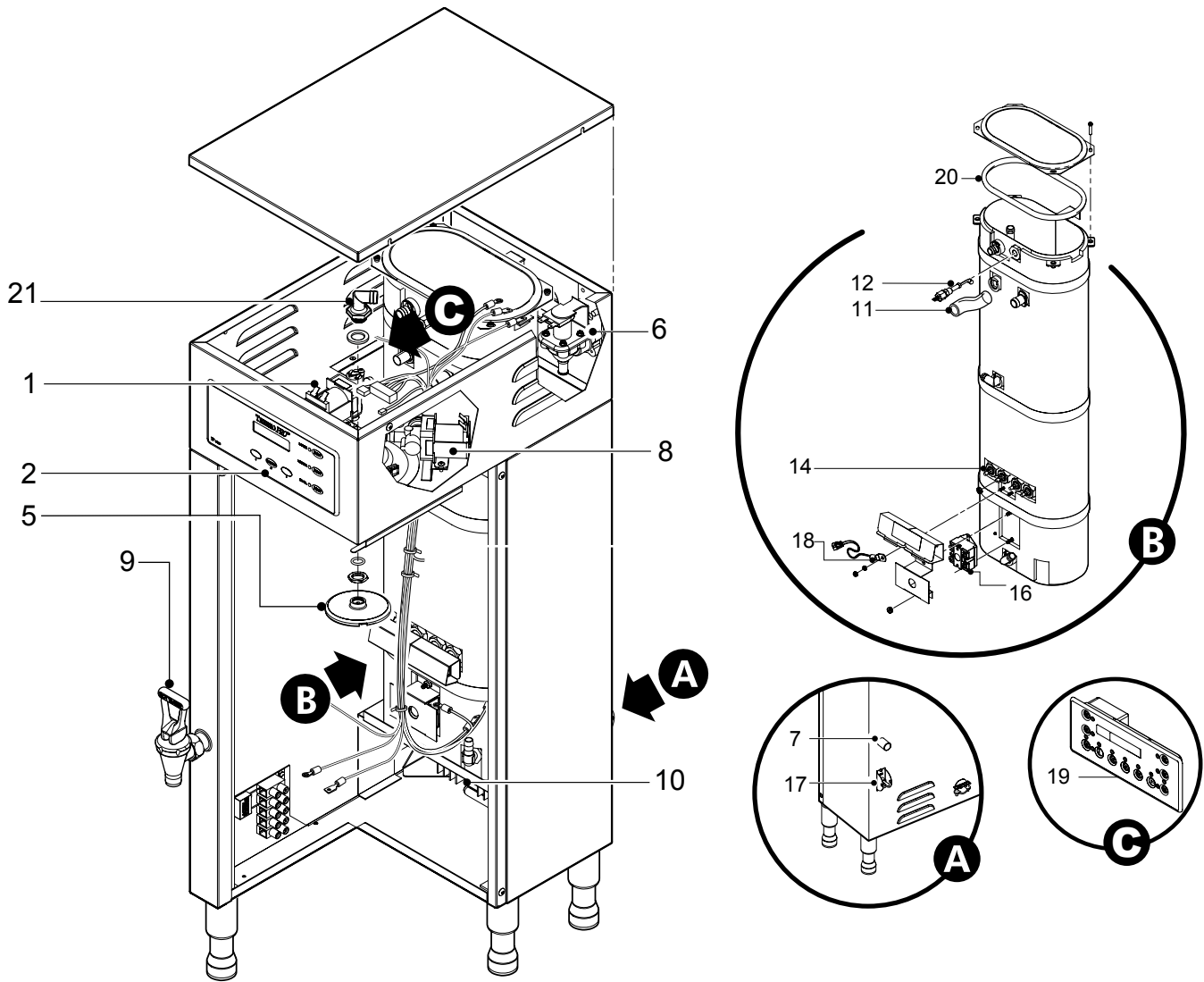


# THERMOPRO BREWERS

## TROUBLESHOOTING GUIDE

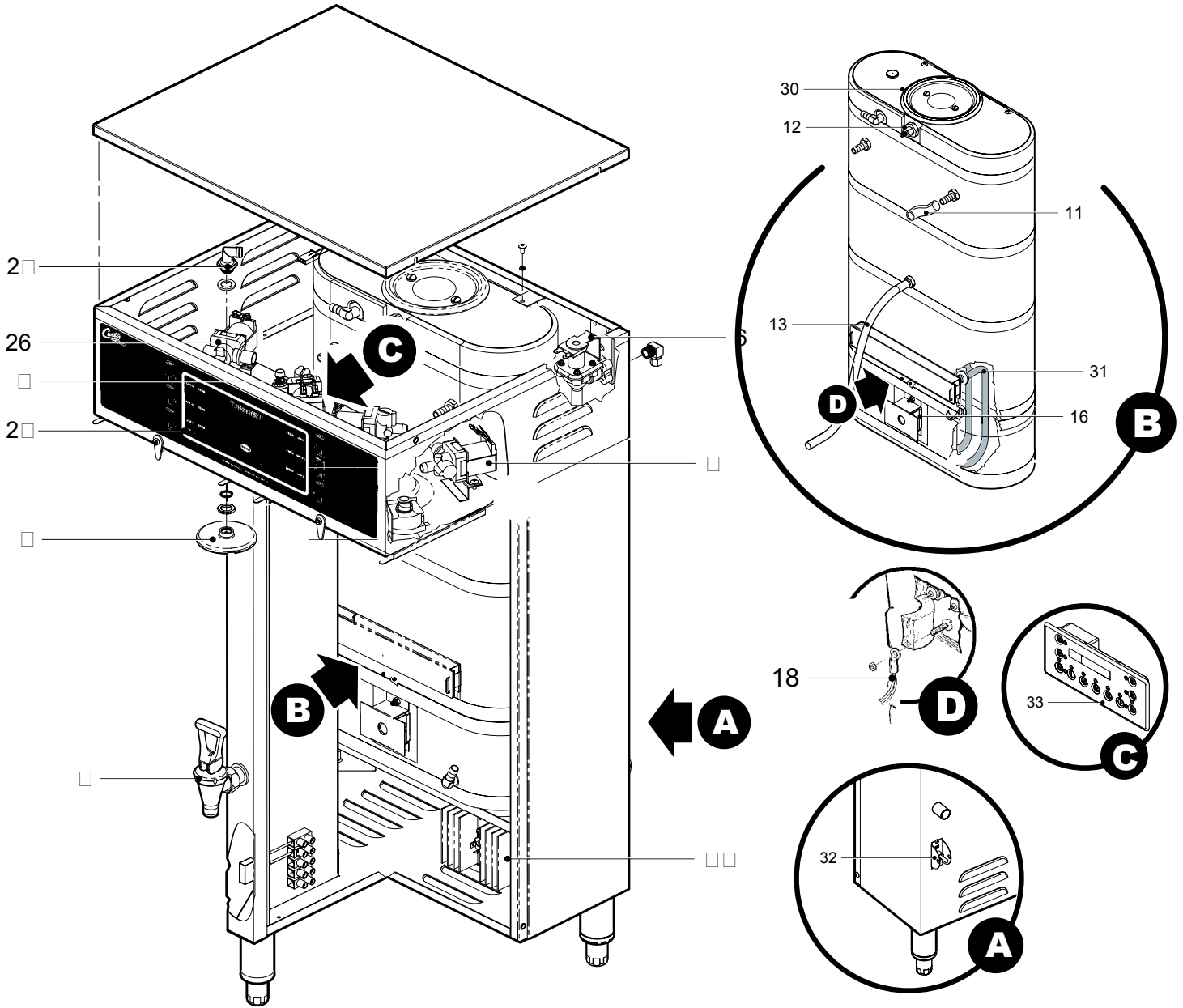


# TP15S10A1500 SINGLE BREWER PARTS IDENTIFICATION



PART #	DESCRIPTION	PART #	DESCRIPTION
1. WC- 844-101	VALVE, ADJ BY-PASS	14. WC- 904-04	ELEMENT, HEATING 1.6KW 120V W/JAM NUTS
2. WC-39444	LABEL, UCM OVERLAY TP2S 3-BATCH	15. WC- 906-04	ELEMENT, HEATING 2KW 220V W/JAM NUTS
3. WC-39417	LABEL, UCM OVERLAY TP2S 1-BATCH	16. WC- 522	THERMOSTAT, RESET
4. WC-39416	LABEL, UCM OVERLAY TP2S 2-BATCH	17. WC- 103	SWITCH, TOGGLE 25A 125/250VAC RST
5. WC-29050	SPRAYHEAD ASSY, ADVANCED FLOW	18. WC-1438-101	SENSOR, HEATING TANK
6. WC- 847	VALVE, WATER INLET 2GPM 120V 10W	19. WC- 723	CONTROL MODULE, 120V TP2S/TP2T
7. WC-1501	FUSE HOLDER W/5A FUSE	20. WC-43062	GASKET, TANK LID
8. WC-37122	KIT, DUMP VALVE BREW RIGHT	21. WC-2977-101K	KIT, SPRAYHEAD FITTING ULTEM
9. WC-1825	FAUCET ASSY, HOT WATER TP2S/2T	22. WC-37317	9MM STRAIGHT FITTING
10. WC-8559	RELAY, SOLID STATE 40A W/HEAT SINK	23. WC-37357	12MM STRAIGHT FITTING
11. WC-5350	TUBE, ½ ID x 1/8W SILICONE	24. WC-37365	INLET FITTING
12. WC-5502-01	KIT, PROBE, ASSY WATER LEVEL	25. WC-37266	OVERFLOW FITTING
13. WC-5310	TUBING, 5/16" ID X 1/8" W SILICONE		

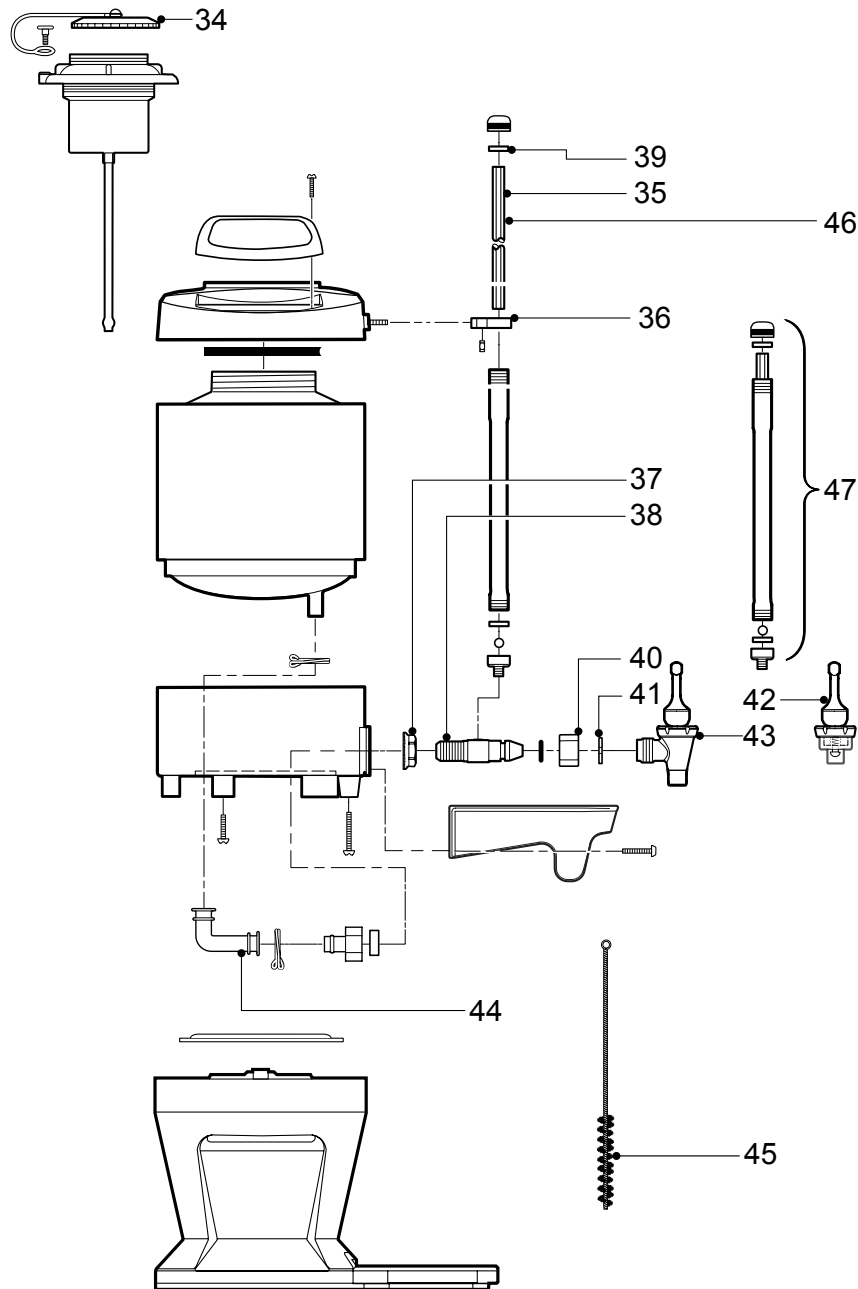
# TP15T10A1100 TWIN BREWER PARTS IDENTIFICATION



PART #	DESCRIPTION
1. WC- 844-101	VALVE, ADJ BY-PASS
5. WC-29050	SPRAYHEAD ASSY, ADVANCED FLOW
6. WC- 847	VALVE, WATER INLET 2GPM 120V 10W
8. WC-37122	KIT, DUMP VALVE BREW RIGHT
9. WC-1825	FAUCET ASSY, HOT WATER TP2S/2T
10. WC-8559	RELAY, SOLID STATE 40A W/HEAT SINK
11. WC-5350	TUBE, ½ ID x 1/8W SILICONE
13. WC-5310	TUBING, 5/16" ID X 1/8" W SILICONE
16. WC- 522	THERMOSTAT, RESET
18. WC-1438-101	SENSOR, HEATING TANK
19. WC- 723	CONTROL MODULE, 120V TP2S/TP2T

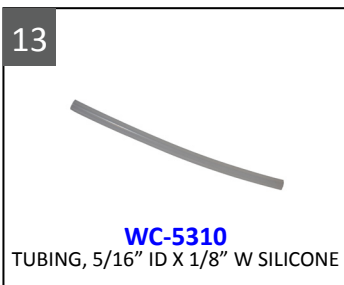
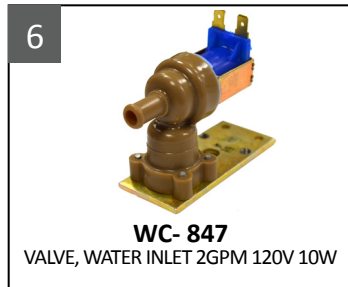
PART #	DESCRIPTION
20. WC-43062	GASKET, TANK LID
21. WC-2977-101K	KIT, SPRAYHEAD FITTING ULTEM
26. WC- 37121	KIT, DUMP VALVE BREW LEFT
27. WC-39442	LABEL, UCM OVERLAY TP2T TWIN 3-BATCH
28. WC-39415	LABEL, UCM OVERLAY TWIN 2-BATCH
29. WC-39414	LABEL, UCM OVERLAY TWIN 1-BATCH
30. WC-37008	KIT, TANK LID ROUND
31. WC- 934-04	ELEMENT, HEATING 2.5 KW 220V W/JAM NUTS
32. WC- 102	SWITCH, TOGGLE 125/250 VAC RESISTIVE
33. WC-37176	KIT, UCM & LABEL INSTRUCTIONS THERMOPRO

# TXSG1501S600 THERMAL SERVER PARTS IDENTIFICATION



PART #	DESCRIPTION	PART #	DESCRIPTION
34. <a href="#">WC-37387</a>	KIT, CAP, TETHER & SCREW TXSG	41. <a href="#">WC-1906</a>	C' RING .917 x .760 x .090
35. <a href="#">WC-2025</a>	GLASS, GAUGE 8" TLXSG10	42. <a href="#">WC-3705</a>	KIT, FAUCET REPAIR
36. <a href="#">WC-2063</a>	BRACKET, GAGE GLASS RING	43. <a href="#">WC-1841</a>	FAUCET, ESP BLACK LOCKING
37. <a href="#">WC-1939-101</a>	NUT, FLANGED	44. <a href="#">WC-2456</a>	ELBOW, SILICONE STRT SIDE SRV
38. <a href="#">WC-1938</a>	SHANK, PLASTIC	45. <a href="#">WC-36076</a>	BRUSH, GAGE GLASS
39. <a href="#">WC-2005</a>	WASHER, SHIELD CAP 1/8"	46. <a href="#">WC-37396</a>	KIT, GLASS GAUGE 10" 3PK TXSG15
40. <a href="#">WC-1903</a>	NUT, UNION SHANK	47. <a href="#">WC-37395</a>	KIT, GAUGE ASSY 10" BLK TXSG15

# PARTS IMAGES



# PARTS IMAGES

25



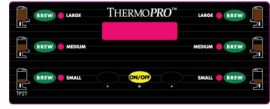
**WC-37266**  
OVERFLOW FITTING

26



**WC-37121**  
KIT, DUMP VALVE BREW LEFT

27



**WC-39442**  
LABEL, UCM TP2T TWIN 3-BATCH

28



**WC-39415**  
LABEL, UCM OVERLAY TWIN 2-BATCH

29



**WC-39414**  
LABEL, UCM OVERLAY TWIN 1-BATCH

30



**WC-37008**  
KIT, TANK LID ROUND

31



**WC-934-04**  
ELEMENT, HEATING W/JAM NUTS

32



**WC-102**  
SWITCH, TOGGLE RESISTIVE

33



**WC-37176**  
KIT, UCM & LABEL

34



**WC-37387**  
KIT, CAP, TETHER & SCREW TXSG

35



**WC-2025**  
GLASS, GAUGE 8" TLXSG10

36



**WC-2063**  
BRACKET, GAGE GLASS RING

37



**WC-1939-101**  
NUT, FLANGED

38



**WC-1938**  
SHANK, PLASTIC

39



**WC-2005**  
WASHER, SHIELD CAP 1/8"

40



**WC-1903**  
NUT, UNION SHANK

41



**WC-1906**  
C' RING .917 x .760 x .090

42



**WC-3705**  
KIT, FAUCET REPAIR

43



**WC-1841**  
FAUCET, ESP BLACK LOCKING

44



**WC-2456**  
ELBOW, SILICONE STRT SIDE SRV

45



**WC-36076**  
BRUSH, GAGE GLASS

46



**WC-37396**  
KIT, GLASS GAUGE 10" 3PK TXSG15

47



**WC-37395**  
KIT, GAUGE ASSY 10" BLK TXSG15

# TROUBLESHOOTING INSTRUCTIONS

## HEATING ISSUES

### Not heating:

#### LCD reads "Heating"

- 1 Verify 220 volts between L1-L2 on the power block. If yes, proceed to #2. If no, verify that the unit is plugged in correctly, and that the panel breaker is turned on.
- 2 Verify 220 volts between #2 & #4 on the Manual Reset Thermostat. If yes, proceed to #3, if no, reset or replace the Manual Reset Thermostat.
- 3 Verify 220 volts across the Toggle Switch. If yes, proceed to #4. If no, replace the toggle switch.
- 4 Verify 220 volts across the Heating Elements. If yes, proceed to #5. If no, verify 5 VDC on the SSR. If yes, replace the Solid State Relay, if no, replace the UCM.
- 5 Verify 19 ohm across each active Heating Element, and replace any Heating Element that reads "OPEN"

### Overheating:

#### LCD reads "Heating"

Verify that the resistance on the Temperature Sensor is less than 10k ohms with a hot tank (200+ degrees) If no, verify correct mounting and that the walls of the tank are free of mineral deposits. If yes, bypass the sensor using a jumper with a 5k ohm resistor. If the LCD reads "ready" and the unit stops heating, replace the temperature sensor, if not, replace the UCM.

#### LCD reads "Ready to Brew"

Check the A.C. side of the SSR for continuity. if continuity is present, replace the SSR, if no continuity, replace UCM.

## TANK FILLING ISSUES

### Not filling:

#### Is the water turned on?

- Yes: Verify 120 volts at inlet valve coil.
- Yes: Replace Inlet Valve
- No: Remove Orange wire from the Water Level Probe. Does the Tank Fill?
- Yes: Replace Water Level Probe.
- No: Replace UCM

### Overfilling:

#### Does the tank continue to fill after the toggle switch has been turned off ?

- Yes: Replace Water Inlet Valve.
- No: Remove the Orange wire from the Water Level Probe and connect it to ground. Does the tank stop filling?
- Yes: Replace the Water Level Probe
- No: Replace the UCM

---

## BREWING ISSUES

---

### **LCD does not read “Brewing”**

If the LCD reads “Ready to Brew” and no response when Brew Button is pressed, replace the UCM.

### **LCD reads “Brewing”**

No water flow from the sprayhead:

Does water flow from the hot water faucet?

If yes, verify 120 volts at the dump valve coil.

If voltage is present at the dump valve coil, replace the dump valve.

If 120 volts is not present at the dump valve coil, confirm continuity of wiring between molex connector and Dump Valve.

If okay, replace the UCM. (Verify the resistance on the dump valve coil to be open in one direction, and under 2k ohm in the other direction BEFORE REPLACING THE UCM).

If water does not flow from the hot water faucet, replace the Water Level Probe.

\*Ensure correct alignment of the sprayhead fitting and that the tubing is routed properly to allow for maximum water flow.

\*Ensure that the sprayhead is free of mineral deposits, in good repair, and properly connected.

### **Short Pots:**

Verify that the Dump Valve outlet fitting on the tank, the tubing between the tank outlet and the Sprayhead fitting, the Sprayhead, and Dump Valve are clear of obstructions.

Ensure correct alignment of the sprayhead fitting and that the tubing is routed properly to allow for maximum water flow.

Verify that the Hot Water Tank is filling correctly. If not, replace the Water Level Probe.

If all the above are okay, replace the Dump Valve.

### **Overflowing the Pots:**

Ensure that the Sprayhead has not been removed. Replace as needed.

Ensure that the Hot Water Tank is not overflowing (See Tank Filling Issues).

Ensure Cold Brew Lock is set to 5 degrees.

Ensure that Lime / Debris are not a factor. If all the above are okay, replace the Dump Valve.



**Wilbur Curtis Co., Inc.**

6913 Acco Street, Montebello CA 90640  
Customer Service: 800.421.6150 | 323.837.2300  
csrassistance@wilburcurtis.com  
Tech Support: 800.995.0417  
www.wilburcurtis.com

JUNE/2014 M54\_TS\_WC\_TP\_revNC