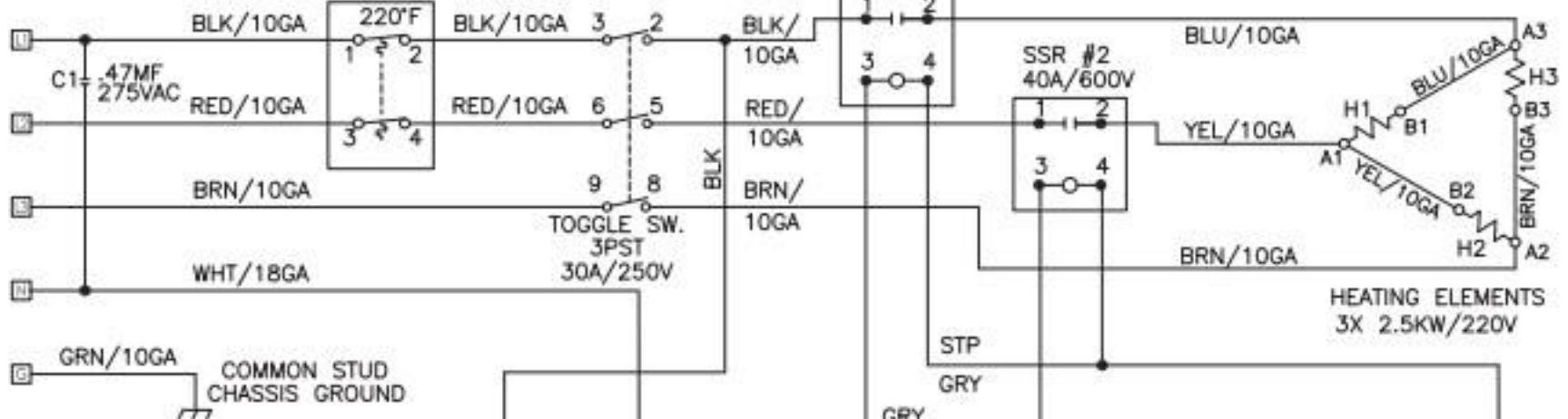


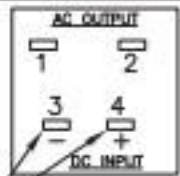
POWER BLOCK
57-65A/300-450V

THERMOSTAT
MAN. RESET
DPST 40A/277V

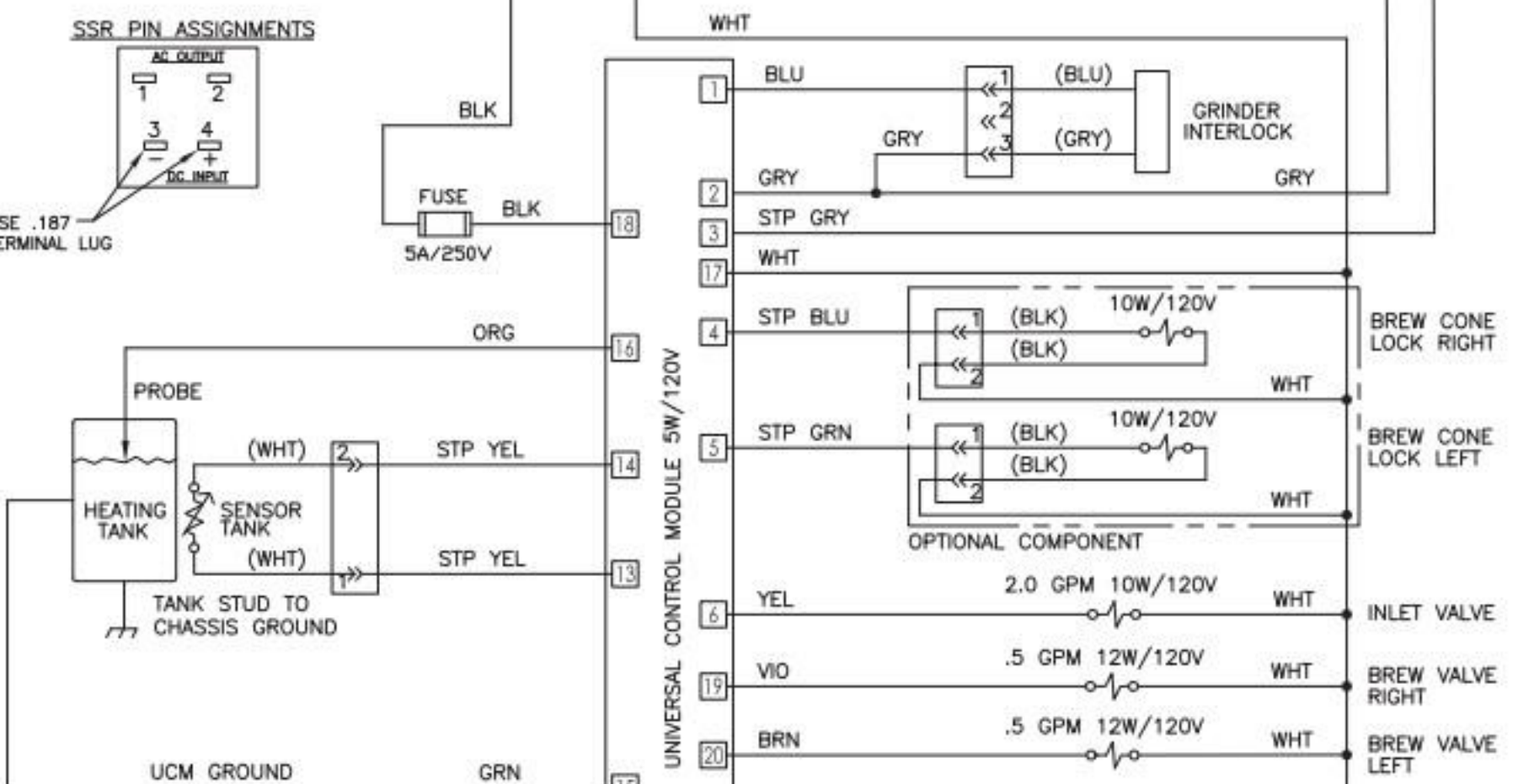
SSR #1
40A/600V



SSR PIN ASSIGNMENTS



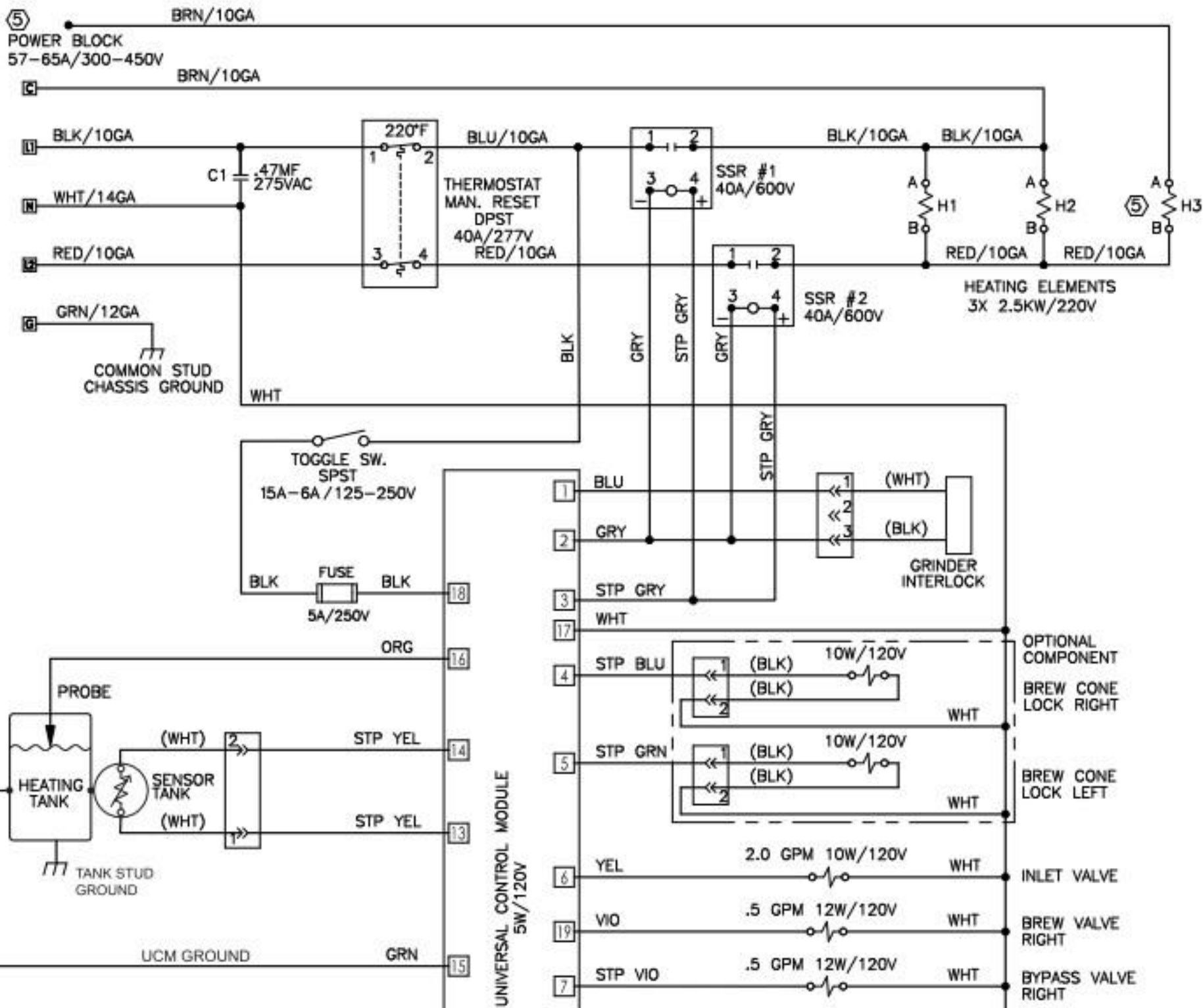
USE .187
TERMINAL LUG



UNIVERSAL CONTROL MODULE
PIN ASSIGNMENT (20 PIN)

- | | |
|--|------------------------|
| 1 = GRINDER | 11 = NOT USED |
| 2 = COMMON - SOLID STATE RELAY & GRINDER | 12 = NOT USED |
| 3 = +5 VDC | 13 = SENSOR TANK |
| 4 = SOLENOID LOCK RIGHT | 14 = SENSOR COMMON |
| 5 = SOLENOID LOCK LEFT | 15 = UCM GROUND |
| 6 = INLET VALVE | 16 = WATER LEVEL PROBE |
| 7 = BYPASS VALVE RIGHT | 17 = 120VAC RETURN |
| 8 = BYPASS VALVE LEFT | 18 = 120VAC HOT |

GEMINI UNITS ONLY

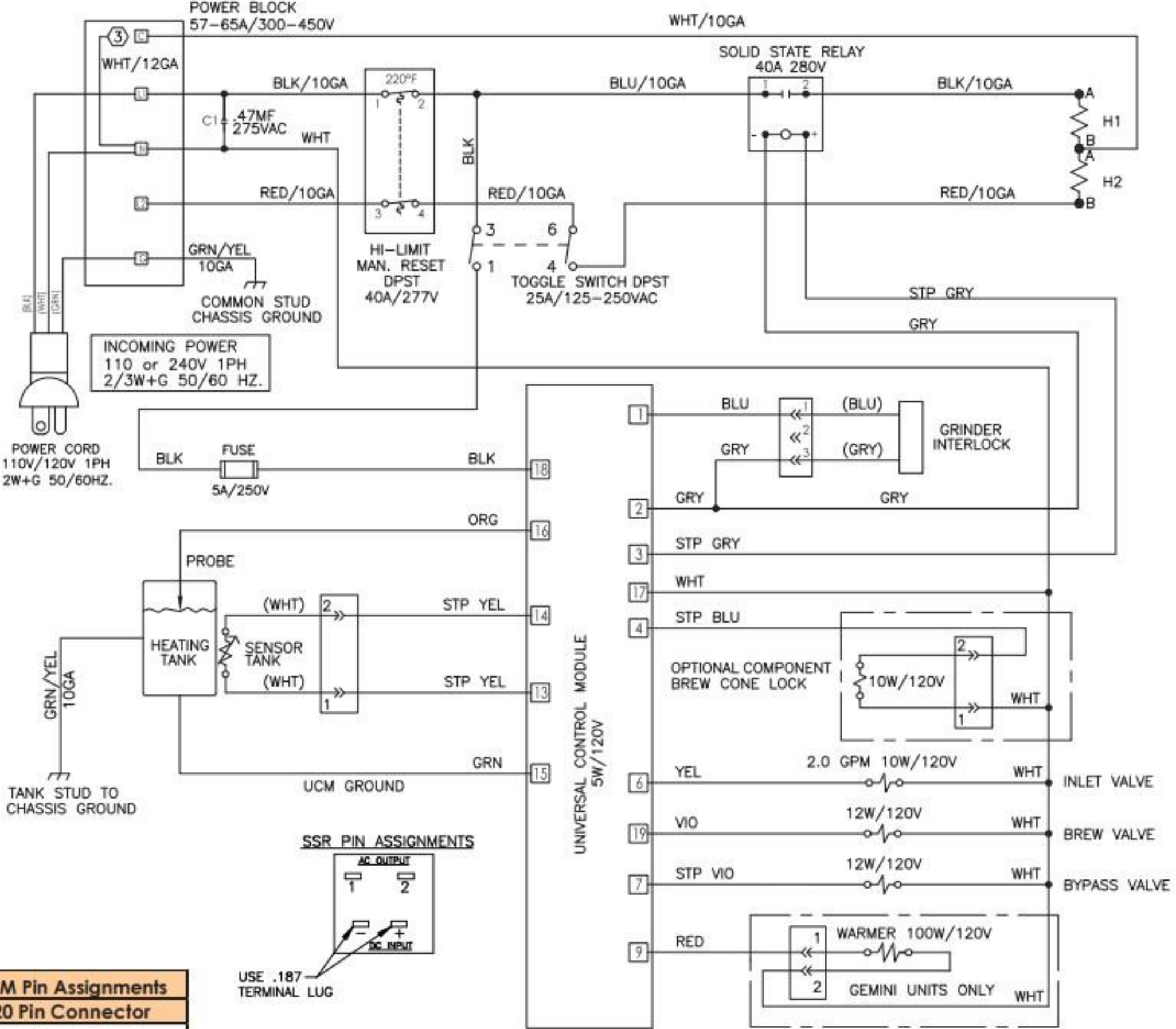


LEGEND

UNIVERSAL CONTROL MODULE

PIN ASSIGNMENT (20 PIN)

- 1 = GRINDER (NOT USED ON TP1T/TP1TT)
- 2 = COMMON - SOLID STATE RELAY & GRINDER
- 3 = +5 VDC
- 4 = SOLENOID LOCK RIGHT (NOT USED ON TP1T/TP1TT)
- 5 = SOLENOID LOCK LEFT (NOT USED ON TP1T/TP1TT)
- 6 = INLET VALVE
- 7 = BYPASS VALVE RIGHT
- 8 = WARMER LEFT
- 9 = WARMER RIGHT
- 10 = BYPASS VALVE LEFT
- 11 = SENSOR WARMER RIGHT (NOT USED ON TP1T/TP1TT)
- 12 = SENSOR WARMER LEFT (NOT USED ON TP1T/TP1TT)
- 13 = SENSOR TANK
- 14 = SENSOR COMMON
- 15 = GROUND CHASSIS



CM Pin Assignments
20 Pin Connector

GRINDER INTERLOCK

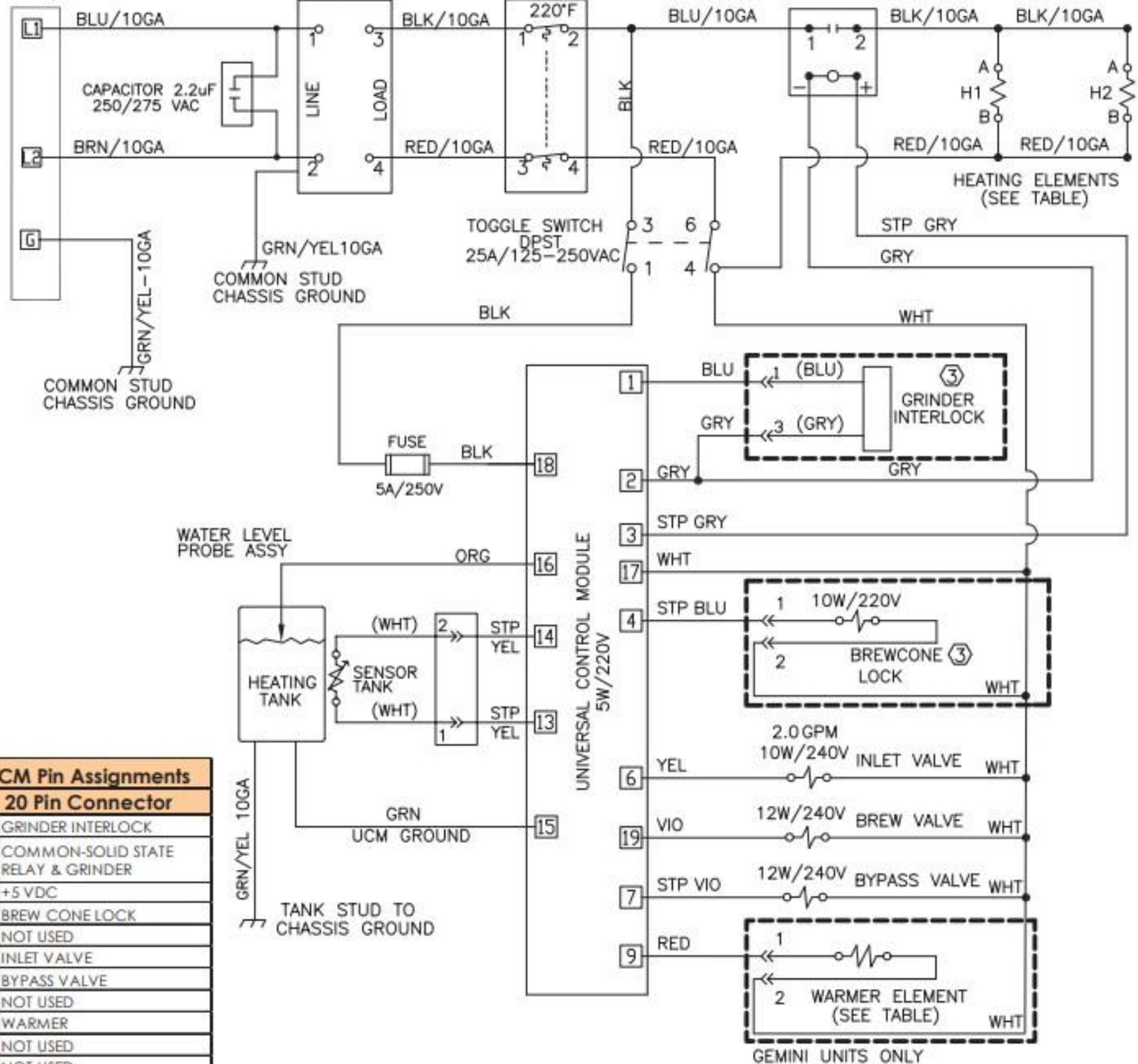
INCOMING POWER
220-240VAC 1PH
2W+G 50/60 Hz

POWER BLOCK
57-65A/300-450V

EMI FILTER
30A/250V

HI-LIMIT MAN. RESET
DPST 40A/277V

SOLID STATE RELAY
40A/280V



UCM Pin Assignments
20 Pin Connector

1	GRINDER INTERLOCK
2	COMMON-SOLID STATE RELAY & GRINDER
3	+5 VDC
4	BREW CONE LOCK
5	NOT USED
6	INLET VALVE
7	BYPASS VALVE
8	NOT USED
9	WARMER
10	NOT USED
11	NOT USED

GEMINI UNITS ONLY