



# 1 and 1.5 Gallon Thermal FreshTrac® Dispensers



1.5 gallon version shown  
Style varies

See brewer user guide for brewing instructions

## READ AND SAVE THESE INSTRUCTIONS

**NOTICE TO INSTALLER:** Please leave this booklet with the machine.

Important Safeguards ..... IS6

Operating Instructions .....OI61

Programming Guide ..... PG26

Cleaning Instructions ..... CI33

Rough-In Drawing (1 Gallon)..... RD104

Rough-In Drawing (1.5 Gallon)..... RD105

Illustrated Parts/Recommended Parts..... IP184

Product Warranty.....PW1

**Contact Information**

**Wilbur Curtis Co., Inc.**

6913 Acco Street | Montebello, CA 90640 US  
Phone: 323-837-2300 | Toll Free: 800-421-6150  
Email: [csrcassistance@wilburcurtis.com](mailto:csrcassistance@wilburcurtis.com) | Web: [www.wilburcurtis.com](http://www.wilburcurtis.com)

For the latest specifications and information go to [www.wilburcurtis.com](http://www.wilburcurtis.com)  
Toll Free: 800-995-0417 | Monday - Friday 5:30 A.M. - 4:00 P.M. PT  
Email: [techsupport@wilburcurtis.com](mailto:techsupport@wilburcurtis.com)

Due to continued product improvement, the products illustrated/photographed in this guide may vary slightly from the actual product.

**Symbols**



This is the safety alert symbol. It is used to alert you to potential physical injury hazards. Obey all safety messages that follow this symbol to avoid possible injury or death.



**DANGER** - Indicates a hazardous situation which, if not avoided, will result in death or serious injury.



**WARNING** - Indicates a hazardous situation which, if not avoided, could result in death or serious injury.



**CAUTION** - Indicates a hazardous situation which, if not avoided, could result in minor or moderate injury.



**NOTICE** - Indicates a situation which, if not avoided, could result in property damage.



**IMPORTANT** - Provides information and tips for proper operation.



**SANITATION REQUIREMENTS**



**WARNING** - This product can expose you to chemicals including Acrylamide and Bisphenol A (BPA), which are known to the State of California to cause cancer and birth defects or other reproductive harm. For more information visit [www.P65Warnings.ca.gov](http://www.P65Warnings.ca.gov).

**Important Safeguards/Conventions**



**WARNING:**

- Keep hands, arms and other items away from hot surfaces.
- TO AVOID SCALDING, AVOID SPLASHING. Keep body parts clear of the brewer during brewing. Do not remove the brew basket while “Brewing” appears on the display.
- Clean the dispenser completely before using it for the first time as according to the CLEANING INSTRUCTIONS. Clean it regularly as instructed in the CLEANING INSTRUCTIONS. Do not use harsh powders or cleansers containing chlorine. Do not use a wire brush or pot scour to clean inside liner
- Thermal servers may be heavy when filled. Take care when transporting to avoid dropping or spilling.
- Use this unit only for its intended use, serving hot and/or cold beverages/water.
- This dispenser is not intended for use by persons (including children) with reduced physical, sensory or mental capabilities or lack of experience and knowledge, unless they have been given supervision or instruction concerning use of the dispenser by a person responsible for their safety.



Do not dispose of the FreshTrac® lids in an ordinary trash container. Contact you local municipality to determine acceptable procedures for disposal of electronic waste.

## CE Requirements

- This dispenser must be used in locations where it can be overseen by trained personnel.
- For proper operation, this dispenser must be used where the temperature is between 5°C to 35°C.
- Dispenser shall not be tilted more than 10° for safe operation.
- This dispenser must not be cleaned by water jet.
- This dispenser can be used by persons aged from 18 years and above if they have been given supervision or instruction concerning use of the dispenser in a safe way and if they understand the hazards involved.
- Keep the dispenser and its cord out of reach of children aged less than 18 years.
- Dispensers can be used by persons 18 years and above with reduced physical, sensory or mental capabilities or lack of experience and knowledge if they have been given supervision or instruction concerning use of the dispenser in a safe way and understand the hazards involved.
- Children under the age of 18 years should be supervised to ensure they do not play with the dispenser.
- Dispenser must not be immersed for cleaning.
- Cleaning and user maintenance shall not be made by children unless they are older than 18 years and supervised.
- This dispenser is intended to be used in household and similar applications such as:
  - staff kitchen areas in shops, offices and other working environments;
  - by clients in hotels, motels and other residential type environments;
  - bed and breakfast type environments.
- This dispenser not intended to be used in applications such as:
  - farm houses
- Access to the service areas permitted by Authorized Service personnel only.
- The A-Weighted sound pressure level is below 70 dBA.

## Disposal of Equipment

- This product contains plastic, metal and electronic components and is considered e-waste. At the end of its life, this product must not be disposed of in normal household waster but can be instead delivered to a collection point for recycling electric and electronic appliances, consult with the local municipality for proper disposal guidelines.

### Brewing Instructions

Thermal FreshTrac<sup>®</sup> dispensers are designed for use with Curtis ThermoPro<sup>®</sup> series brewers. See the brewer user guide for brewing instructions.

### How to Use the Combination Liquid Level Gauge and FreshTrac Fresh Coffee Timer

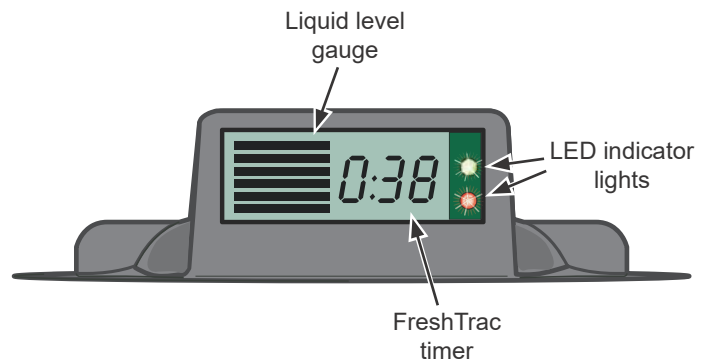
The dispenser lid has a display with three indicators, the liquid level gauge, the FreshTrac timer and the LED indicator lights.

#### LCD Liquid Level Gauge

The liquid level gauge consists of a series of six (6) bars on the left side of the display. The more bars showing, the higher the coffee level in the dispenser. See the tables on the following page for more information.

#### FreshTrac Timer

The FreshTrac digital fresh coffee timer keeps track of the time that has elapsed since the coffee was brewed. It resets automatically when a new batch of coffee is brewed.



**IMPORTANT** - Be sure to empty the dispenser before brewing a new batch of coffee. The FreshTrac timer will not reset if any bars are showing on the liquid level gauge. This avoids mixing old coffee with new.

#### LED Indicator Lights

The LEDs allow you to check coffee quality, and if the coffee level is low, from across the room.

**Fresh Mode:** The green LED blinks every 6 seconds when coffee is fresh according to the FreshTrac timer.

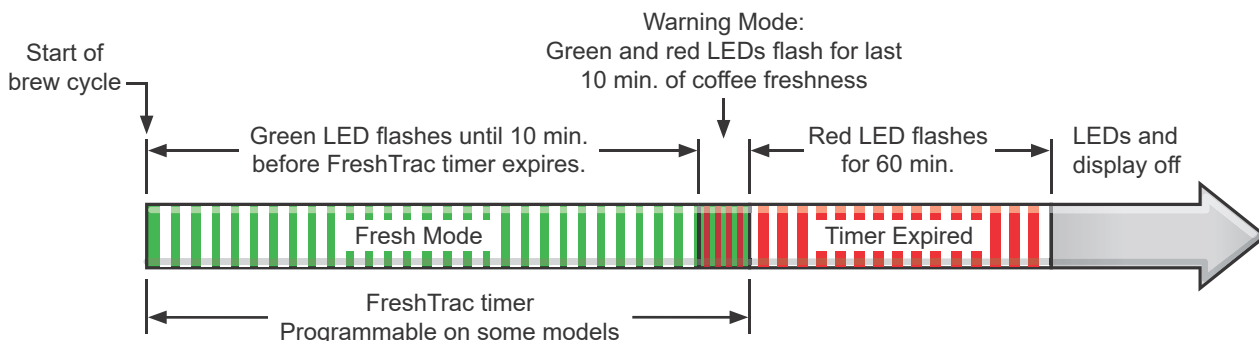
**Warning Mode:** The green and red LEDs blink alternately every 6 seconds when:

- a The FreshTrac timer is 10 minutes or less from expiration.
- b The volume in the dispenser is between 12 and 24 ounces.

**Timer Expired/Dispenser Empty:** The red LED blinks every 6 seconds (for 60 min.) and LCD display flashes when:

- a The FreshTrac timer has expired.
- b The dispenser is nearly empty (12 ounces or less).

**Display Off:** When the FreshTrac timer has expired or the dispenser is empty and the red LED has blinked for 60 minutes, the LCD display and the LEDs turn off completely.



**How to Use the Combination Liquid Level Gauge and FreshTrac Fresh Coffee Timer (cont.)**

**LCD Liquid Level Gauge Volume Reading**



The tables below denote the volume indicated by the various liquid level gauge readings on the display.

Number of Bars Visible	Approximate Range in Ounces	LED(s) Flashing
6	180 - 192	Green
5	140 - 180	Green
4	100 - 140	Green
3	60 - 100	Green
2	24 - 60	Green
1	12 - 24	Green - Red
0	0 - 12	Red

**Liquid Level Gauge  
TFT15 Series (1.5 Gallon)**

Number of Bars Visible	Approximate Range in Ounces	LED(s) Flashing
6	116 - 128	Green
5	92 - 116	Green
4	68 - 92	Green
3	44 - 68	Green
2	24 - 44	Green
1	12 - 24	Green - Red
0	0 - 12	Red

**Liquid Level Gauge  
TFT1 Series (1.0 Gallon)**

### Programming the Display

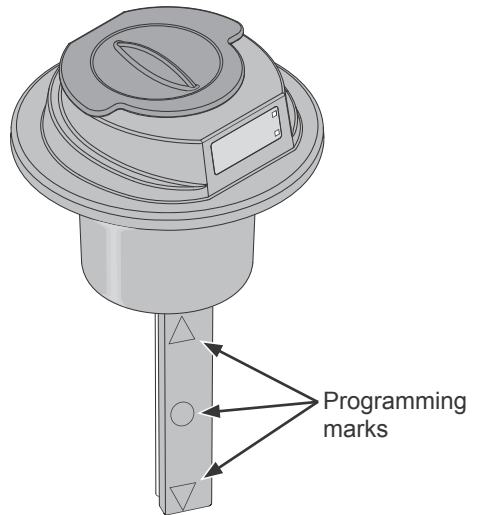
The following parameters can be programmed:

- **Fresh Coffee (FreshTrac) Timer (FSH)** - Sets the amount of time from the start of the brew cycle to expiration of the FreshTrac timer (default is 2 hours). The range is from 30 minutes to 4 hours, in 1/2 hour increments. NOTE: The 10 minute warning time and the 60 minute timer expired interval are not adjustable.
- **Count Up/Down (Cnt)** - Sets the FreshTrac timer to count up or count down (default is count down).
- **Display Options (dSP)** - Allows you to enable or disable the LCD liquid level gauge, the FreshTrac timer display, or both LEDs (default is all three on). NOTE: Disabling all three displays is not a option.
- **LED Green Light ON/OFF (FSI)** - Disables the green LED only (default is on).
- **Factory Reset (rST)** - Resets all of the above parameters to the defaults.

### Entering Programming Mode

1 Make sure that the dispenser is cool, then unscrew the lid assembly from the top.

2 Hold the lid assembly with the top up, and locate the programming marks (▲, ○, ▼) on the long plastic stem protruding from the bottom. Touch and hold (DO NOT PRESS) the up (▲) and down (▼) arrows until 2 horizontal lines appear on the display.



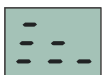
3 Release your fingers. In a few moments **FSH** will appear on the display.

4 Touch and release down (▼) repeatedly until the parameter you wish to adjust appears on the display.

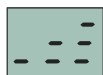
5 Once the parameter you wish to change appears on the display, touch ○ on the stem to program the displayed parameter\*:

- **FSH - FreshTrac Timer** - When you press ○, the current setting appears on the display. Touch and release up (▲) and down (▼) to change the setting. Press ○ to save and exit.\*\*

**Cnt - Count Up / Count Down** - When you press ○, the current setting appears on the display.



Means count down.



Means count up.

Touch and release up (▲) to change to count up and down (▼) to change to count down. Press ○ to save and exit.\*\*

continued...

## Programming the Display (cont.)

- **dSP - Display Options** - When you press **O**, the current settings appear on the display. See the key below to read the settings. Touch and release up (**▲**) and down (**▼**) to toggle through the different settings. Touch **O** to save and exit.\*\*



Level Gauge ON  
Digital Timer Readout ON  
LEDs ON



Level Gauge ON  
Digital Timer Readout OFF  
LEDs ON



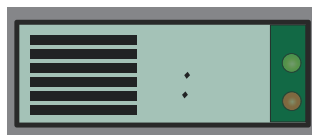
Level Gauge OFF  
Digital Timer Readout ON  
LEDs ON



Level Gauge OFF  
Digital Timer Readout OFF  
LEDs ON



Level Gauge ON  
Digital Timer Readout ON  
LEDs OFF



Level Gauge ON  
Digital Timer Readout OFF  
LEDs OFF



Level Gauge OFF  
Digital Timer Readout ON  
LEDs OFF

- **FSI - Green Light ON / OFF** - When you press **O**, the current setting appears on the display. Touch and release up (**▲**) and down (**▼**) to toggle between **On** and **OFF**. Touch **O** to save and exit.\*\*
- **rST - Factory Settings Reset** - When you press **O**, **YES** or **no** will appear on the display. Touch and release up (**▲**) and down (**▼**) to toggle between **YES** and **no**. When set to **YES**, the TFT lid will reset to the factory settings when you exit. When set to **no**, the TFT lid will remain at the previous settings upon exit. Touch **O** to exit.\*\*

\* After 30 seconds without touching any of the programming marks on the stem, the display automatically exits programming mode and goes back to the previous settings.

\*\* To program another parameter, re-enter programming mode, starting with step 2.

### Cleaning Thermal FreshTrac® Dispensers (Daily)

The following cleaners are required to properly maintain the thermal dispenser:

- Mild solution of dish-washing detergent and warm water
- TABZ™ Coffee Equipment Cleaner Tablets\*
- One-Pro Beverage Equipment Cleaner



**WARNING:** DO NOT immerse the dispenser or lid in water or any other liquid. Do not place the dispenser or lid in a dishwasher. Doing so will void the warranty. Do not use harsh powders or cleansers containing chlorine. Do not use a wire brush or scouring pad to clean inside the liner. **To avoid damage, DO NOT use a brush to clean the faucet or the inside of the faucet shank (outlet).**

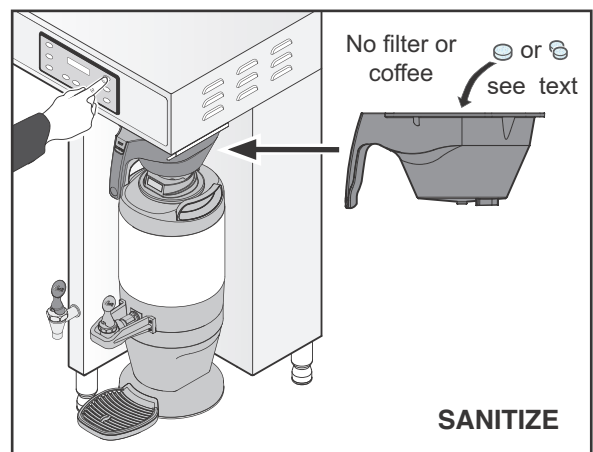
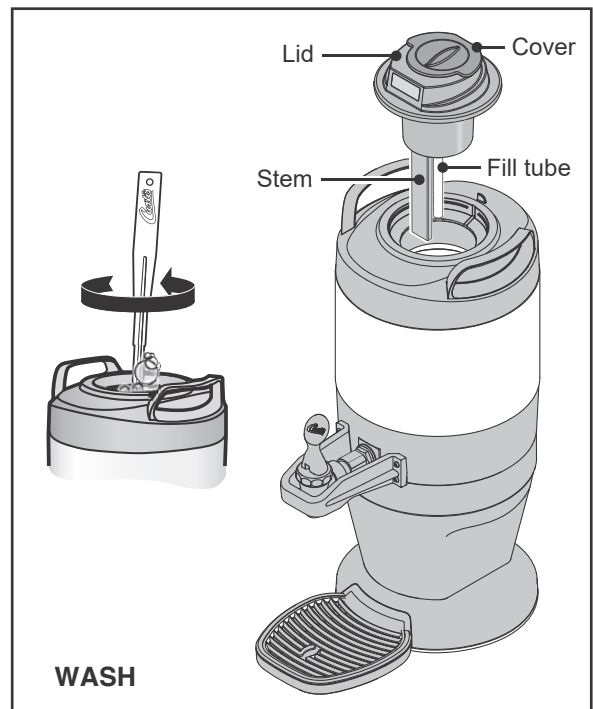


**IMPORTANT:** The stem on the bottom of the lid has a built-in sensor used for the FreshTrac feature. Keep this stem free from coffee oil build-up for proper operation.

#### Cleaning the Container

- 1 Remove the lid. Rinse the dispenser and lid.
- 2 **Wash** - Prepare a mild solution of detergent and warm water. Wipe the exterior surfaces of the container and the lid with a sponge moistened with the detergent solution to remove spills and debris. Using the supplied brush, clean inside the fill tube on the lid. Fill the liner with the detergent solution. Use a sponge brush to scrub out the stainless steel liner.
- 3 **Rinse** - Rinse out the liner and lid with clean, warm water.
- 4 **Sanitize** - Reattach the lid, remove the cover and center the hole under the brew basket on the brewer. For 1.5 gal. (5.7 L) dispensers, drop one TABZ Z95 tablet into the brew basket. For 1.0 gal. (3.8 L) dispensers, drop two TABZ Z61 tablets into the brew basket. Slide the brew basket (with just the tablet[s] inside) into the brew rails on the brewer. Run a brew cycle and allow the liner to soak for 5 to 10 minutes after fluid stops flowing.
- 5 Open the faucet and drain out the sanitizer (to clean the faucet shank).
- 6 Fill the liner to the top with clean, warm water and drain through the faucet (to rinse the faucet shank).
- 7 Fill the liner to the top with water a second time and drain through the faucet. Rinse the lid thoroughly, pouring water through the brew-through hole and tube, during rinsing.

continued...



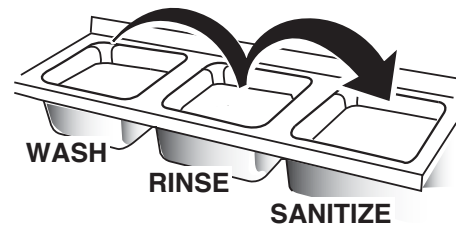
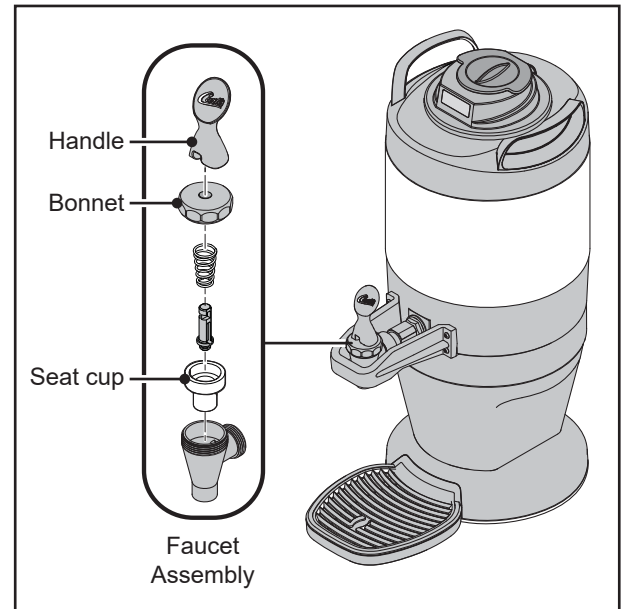
\* For 1.5 gal./5.7 L dispensers use type Z95 (Curtis PN WC-79000)  
 For 1.0 gal./3.8 L dispensers use type Z61 (Curtis PN WC-79003)

**Cleaning the Container (cont.)**

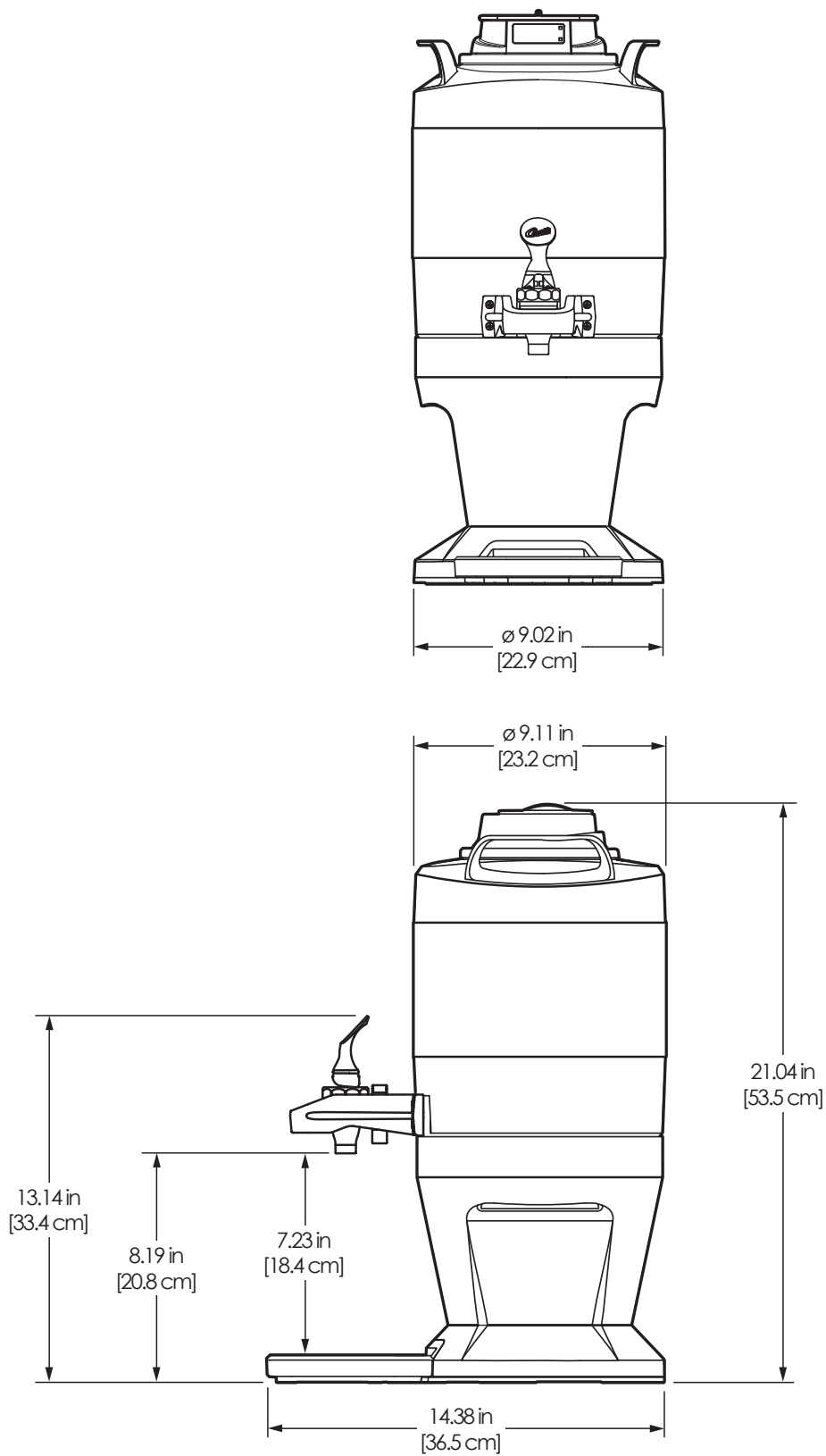
- 8 Disassemble the faucet - Unscrew the handle/bonnet assembly from the top of the faucet and remove it. Inspect the seat cup for wear. Replace the seat cup if it is damaged.
- 9 **Air Dry** - Turn the container and lid upside down and allow to air dry.

**Cleaning the Faucet Parts**

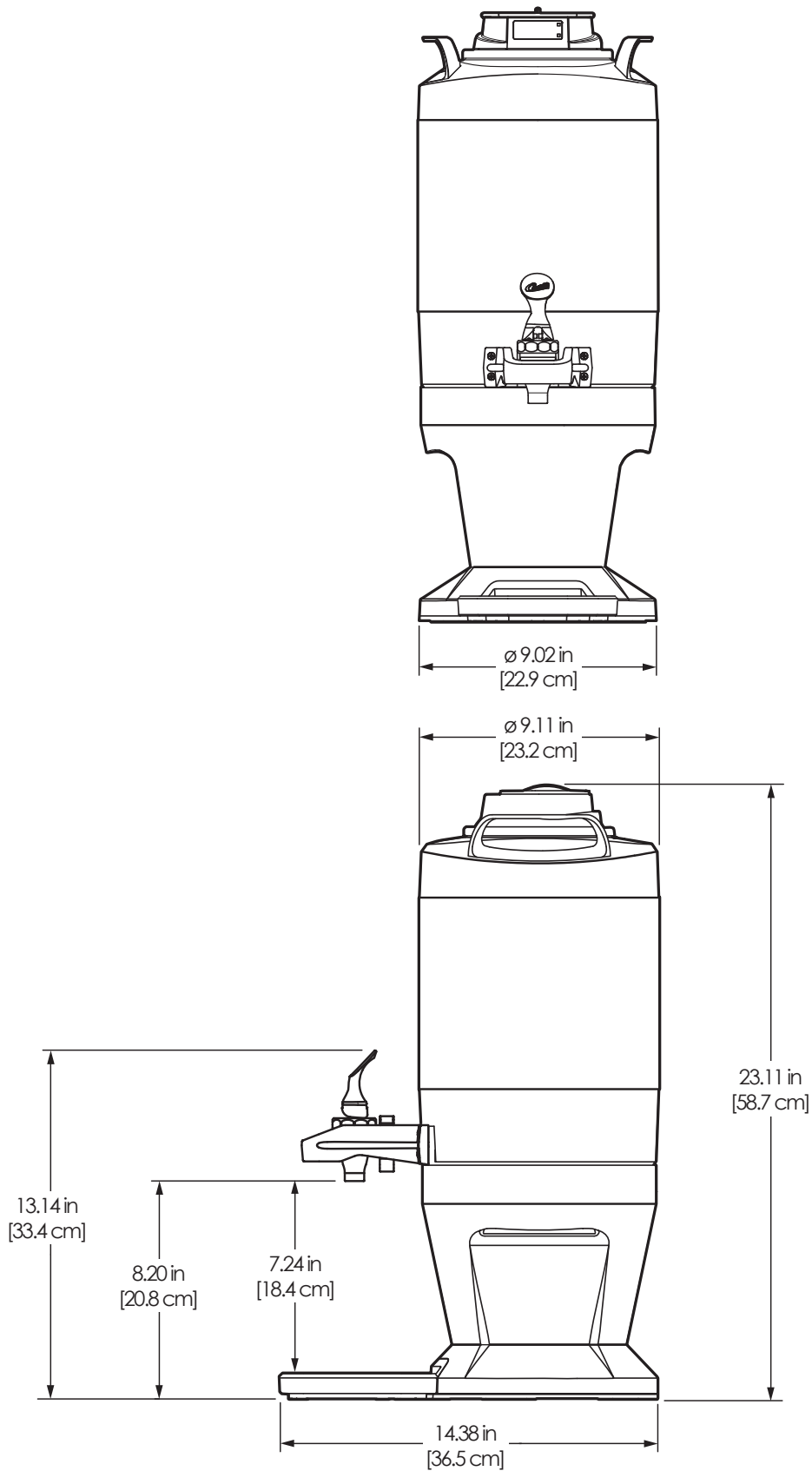
- 10 **Wash** - Wash all faucet parts with the detergent solution.
- 11 **Rinse** - Thoroughly rinse all parts with clean, warm water.
- 12 **Sanitize** - After rinsing, place all faucet parts in a sink to be sanitized. Immerse them in One-Pro cleaner mixed at a ratio of 1 oz. (28 g.) per 5 gal. (19 L) of hot water (122°F/50°C min.). Allow the parts to soak for 15 minutes.
- 13 **Air Dry** - Remove the faucet parts from the sanitizer, rinse thoroughly and allow them to air dry.
- 14 Reassemble - When dry, reassemble the handle and bonnet. Hand tighten the handle and bonnet onto the top of the faucet assembly. Reinstall the lid.



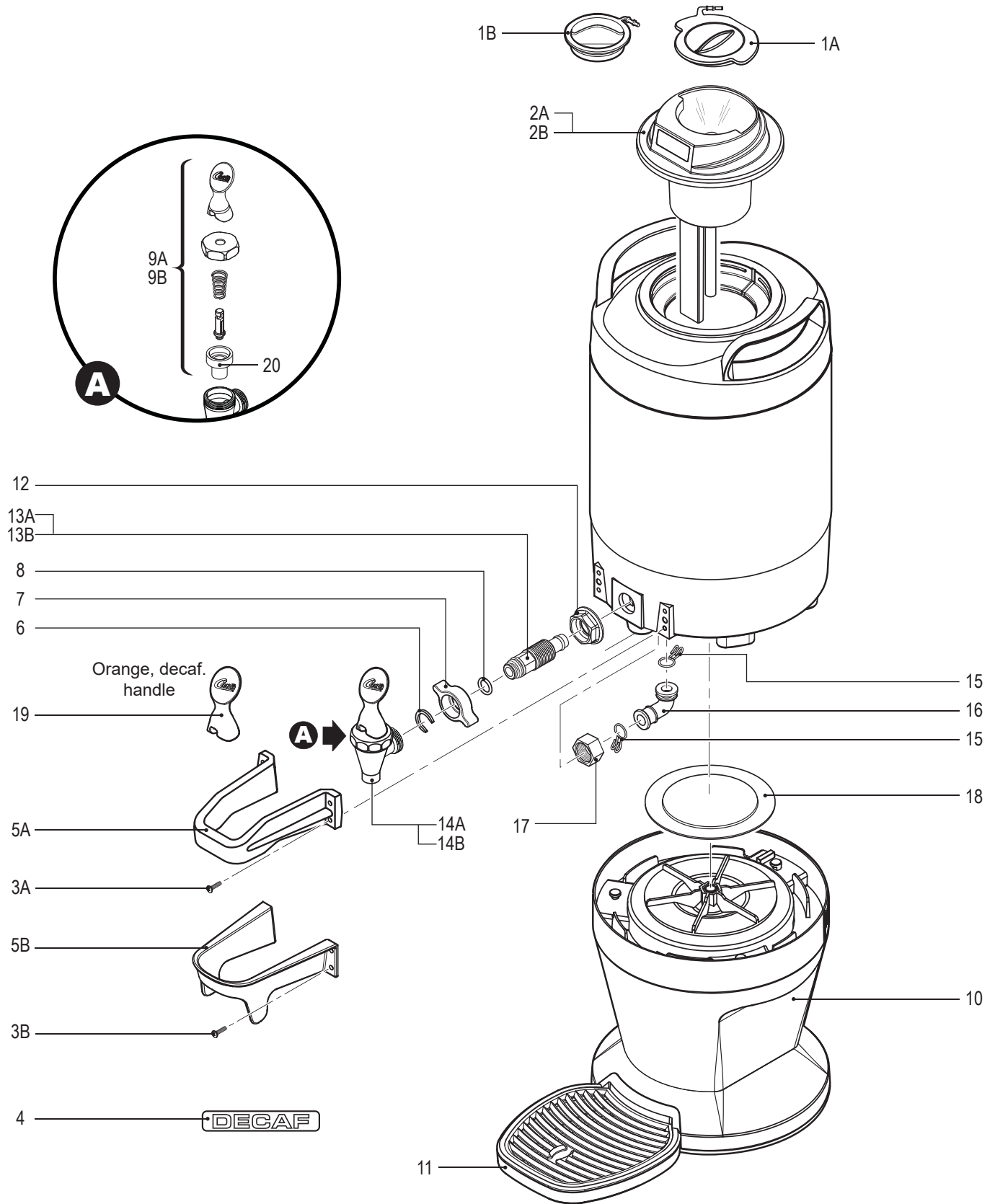
TGT1G, TFTR1G - Thermal Server



TFT15G, TFTR15G - Thermal Server



TFT - Exploded View



## TFT - Main Chassis - Parts List

All parts are common between the 1 gallon and 1.5 gallon servers, unless otherwise specified.

ITEM #	PART #	DESCRIPTION
1A	<a href="#">WC-56084</a>	CAP, LID TFT WIDE MOUTH (NEWER UNITS WITH WIDE MOUTH)
1B	<a href="#">WC-56080</a>	CAP, LID TFT T1G,TFT15G (OLDER UNITS WITH NARROW MOUTH)
2A*	<a href="#">WC-56075</a>	LID ASSY,LCD/LED DISPLAY TFT1G WIDE MOUTH
2B*	<a href="#">WC-56076</a>	LID ASSY, LCD/LED DISPLAY TFT15G WIDE MOUTH
3A	WC-4620	SCREW, FAUCET GUARD (NEWER UNITS)
3B	<a href="#">WC-4872</a>	SCREW, METRIC PAN HD PHIL MACH BLK-OXIDE 18-8 SS, M4, 16mm LG (OLDER UNITS)
4	<a href="#">WC-38281</a>	LABEL, DECAF TLXG02
5A	<a href="#">WC-66119K</a>	KIT, FAUCET GUARD (NEWER UNITS, INCLUDES SCREWS)
5B	<a href="#">WC-64079</a>	GUARD, FAUCET TXSG CAST ZINC (OLDER UNITS)
6	<a href="#">WC-1906</a>	"C" RING .917 X .760 X .090 TT-3 TC'S
7	WC-1905	NUT, WING PLASTIC 1-1/32-14UNF
8	<a href="#">WC-4320</a>	O'RING, 0.4871.D.x 0.693OD x0.103CS
9A	<a href="#">WC-3705</a>	KIT, FAUCET HANDLE S SERIES NON-LOCK
9B	<a href="#">WC-3705D</a>	KIT, FAUCET S SERIES DECAF NON LOCK USE ON <a href="#">WC-1800D</a>

\* Backward compatible with older versions.

ITEM #	PART #	DESCRIPTION
10	<a href="#">WC-56020-101</a>	BASE ASSEMBLY SERVER 1 GAL & 1 1/2 GAL
11	<a href="#">WC-61689</a>	KIT, DRIP TRAY
12	<a href="#">WC-1951</a>	NUT, FLANGED, PLASTIC
13A	<a href="#">WC-1953-101K</a>	KIT, SHANK, NUT & INSTRUCTIONS (INCLUDES ITEM 17)
13B	<a href="#">WC-1953-101</a>	SHANK, PLASTIC THERMOSRVER TFT
14A	<a href="#">WC-1803</a>	FAUCET ASSY, BLACK HANDLE/PLATIC 1-1/32-14 UNS CURT
14B	<a href="#">WC-1803D</a>	FAUCET ASSY, DECAF HANDLE PLASTIC 1-1/32-14 UNS CURTIS
15	<a href="#">WC-43091</a>	CLAMP, WIRE HOSE
16	<a href="#">WC-2456</a>	ELBOW, SILICONE TXSG01/TXSG15
17	<a href="#">WC-4281</a>	NUT, 1/2"-14 NPSM PLASTIC
18	<a href="#">WC-58262</a>	COVER, BOTTOM WHITE PLASTIC
19	<a href="#">WC-32005ORG</a>	HANDLE, FAUCET DECAF CURTIS
20	<a href="#">WC-1805</a>	SEAT CUP, "S" FAUCET USE ON WC-1800/B/LB/D/DL/L/ <a href="#">WC-1803</a>

Wilbur Curtis Co., Inc. certifies that its products are free from defects in material and workmanship under normal use. The following limited warranties and conditions apply:

- 3 years, parts and labor, from original date of purchase on digital control boards
- 2 years, parts, from original date of purchase on all other electrical components, fittings and tubing
- 1 year, labor, from original date of purchase on all other electrical components, fittings and tubing

Additionally, Wilbur Curtis Co., Inc. warrants its grinding burrs for four (4) years from the date of purchase. Stainless steel components are warranted for two (2) years from the date of purchase against leaking or pitting. Replacement parts are warranted for ninety (90) days from the date of purchase or for the remainder of the limited warranty period of the equipment in which the component is installed.

All in-warranty service calls must have prior authorization. For authorization, call the Technical Support Department at 800-995-0417. Additional conditions may apply. Go to [www.wilburcurtis.com](http://www.wilburcurtis.com) to view the full product warranty information.

## CONDITIONS & EXCEPTIONS

The warranty covers original equipment at time of purchase only. Wilbur Curtis Co., Inc., assumes no responsibility for substitute replacement parts installed on Curtis equipment that have not been purchased from Wilbur Curtis Co., Inc. Wilbur Curtis Co., Inc. will not accept any responsibility if the following conditions are not met. The warranty does not cover:

- **Adjustments and cleaning:** *The resetting of safety thermostats and circuit breakers, programming and temperature adjustments are the responsibility of the equipment owner. The owner is responsible for proper cleaning and regular maintenance of this equipment.*
- **Replacement of items subject to normal use and wear:** *This shall include, but is not limited to, spray heads, faucets, light bulbs, shear disks, "O" rings, gaskets, silicone tubing, silicone elbows, canister assemblies, whipper chambers and plates, mixing bowls, agitation assemblies and whipper propellers.*

The warranty is void under the following circumstances:

- **Improper operation of equipment:** *The equipment must be used for its designed and intended purpose and function.*
- **Improper installation of equipment:** *This equipment must be installed by a professional technician and must comply with all local electrical, mechanical and plumbing codes.*
- **Improper voltage:** *Equipment must be installed at the voltage stated on the serial plate supplied with this equipment.*
- **Improper water supply:** *This includes, but is not limited to, excessive or low water pressure and inadequate or fluctuating water flow rate.*
- **Damaged in transit:** *Equipment damaged in transit is the responsibility of the freight company and a claim should be made with the carrier.*
- **Abuse or neglect (including failure to periodically clean or remove lime accumulations):** *The manufacturer is not responsible for variation in equipment operation due to excessive lime or local water conditions. The equipment must be maintained according to the manufacturer's recommendations.*
- **Unauthorized repair or modification:** *This equipment must be serviced only by qualified service technicians, using factory specified parts to factory specifications.*
- **Modified/Missing Serial Tag:** *The serial number label (tag) must not be defaced or removed.*

**Repairs and/or Replacements** are subject to Curtis' decision that the workmanship or parts were faulty and the defects showed up under normal use. All labor shall be performed during regular working hours. Overtime charges are the responsibility of the owner. Charges incurred by delays, waiting time, or operating restrictions that hinder the service technician's ability to perform service is the responsibility of the owner of the equipment. This includes institutional and correctional facilities. Wilbur Curtis Co., Inc. will allow up to 100 miles, round trip, per in-warranty service call.

**Return Merchandise Authorization (RMA):** All claims under this warranty must be submitted to the Wilbur Curtis Technical Support Department prior to performing any repair work or return of this equipment to the factory. **All returned equipment must be properly re-packaged in the original carton and received by Curtis within 45 days following the issuance of a RMA.** No units will be accepted if they are damaged in transit due to improper packaging. **NO UNITS OR PARTS WILL BE ACCEPTED WITHOUT A RETURN MERCHANDISE AUTHORIZATION (RMA). THE RMA NUMBER MUST BE MARKED ON THE CARTON OR SHIPPING LABEL. All warranty claims must be submitted within 60 days of service. Invoices will not be processed or accepted without a RMA number. Any defective parts must be returned in order for warranty invoices to be processed and approved.** All in-warranty service calls must be performed by an authorized service agent. Call the Wilbur Curtis Technical Support Department to find an agent near you.