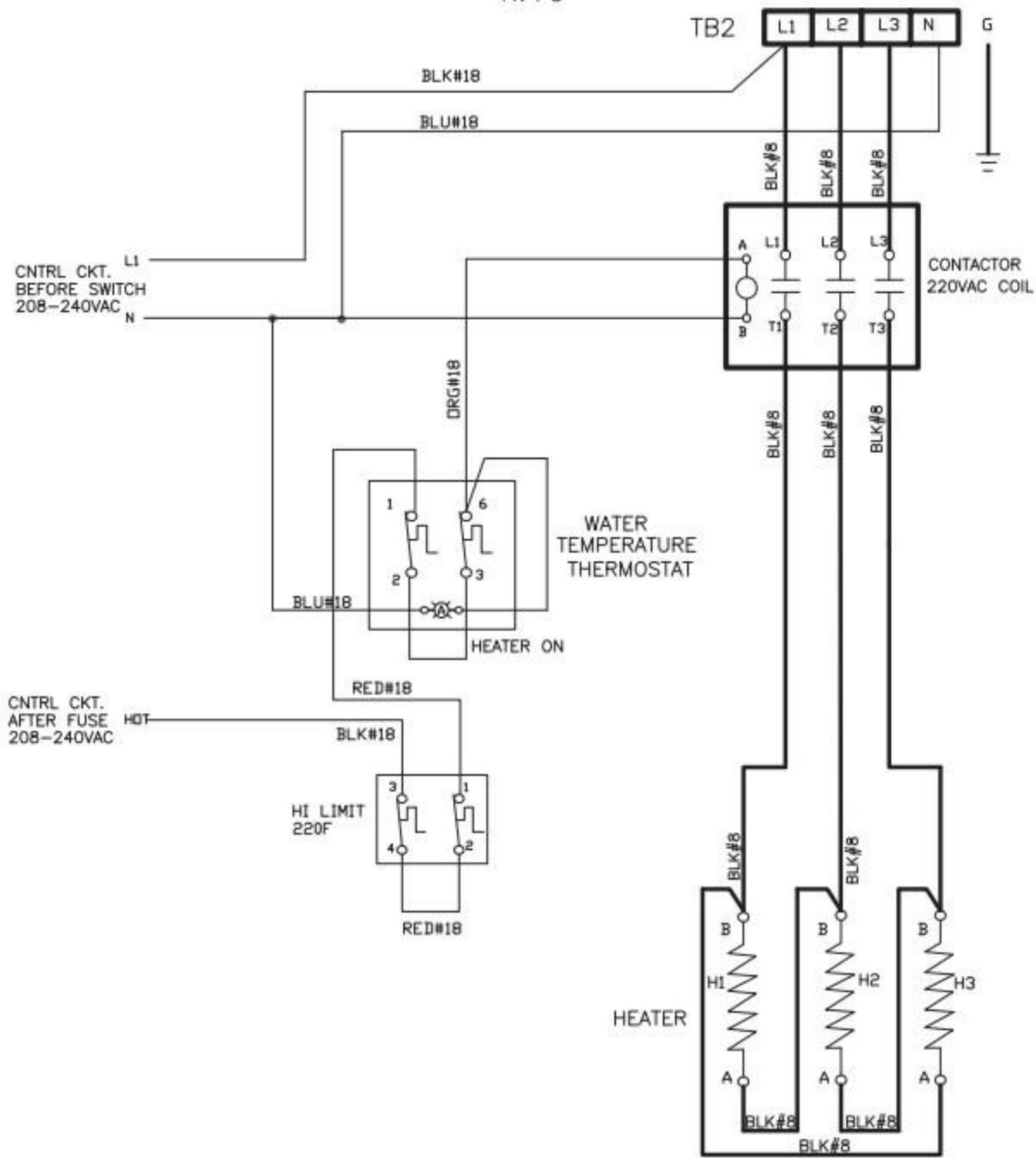
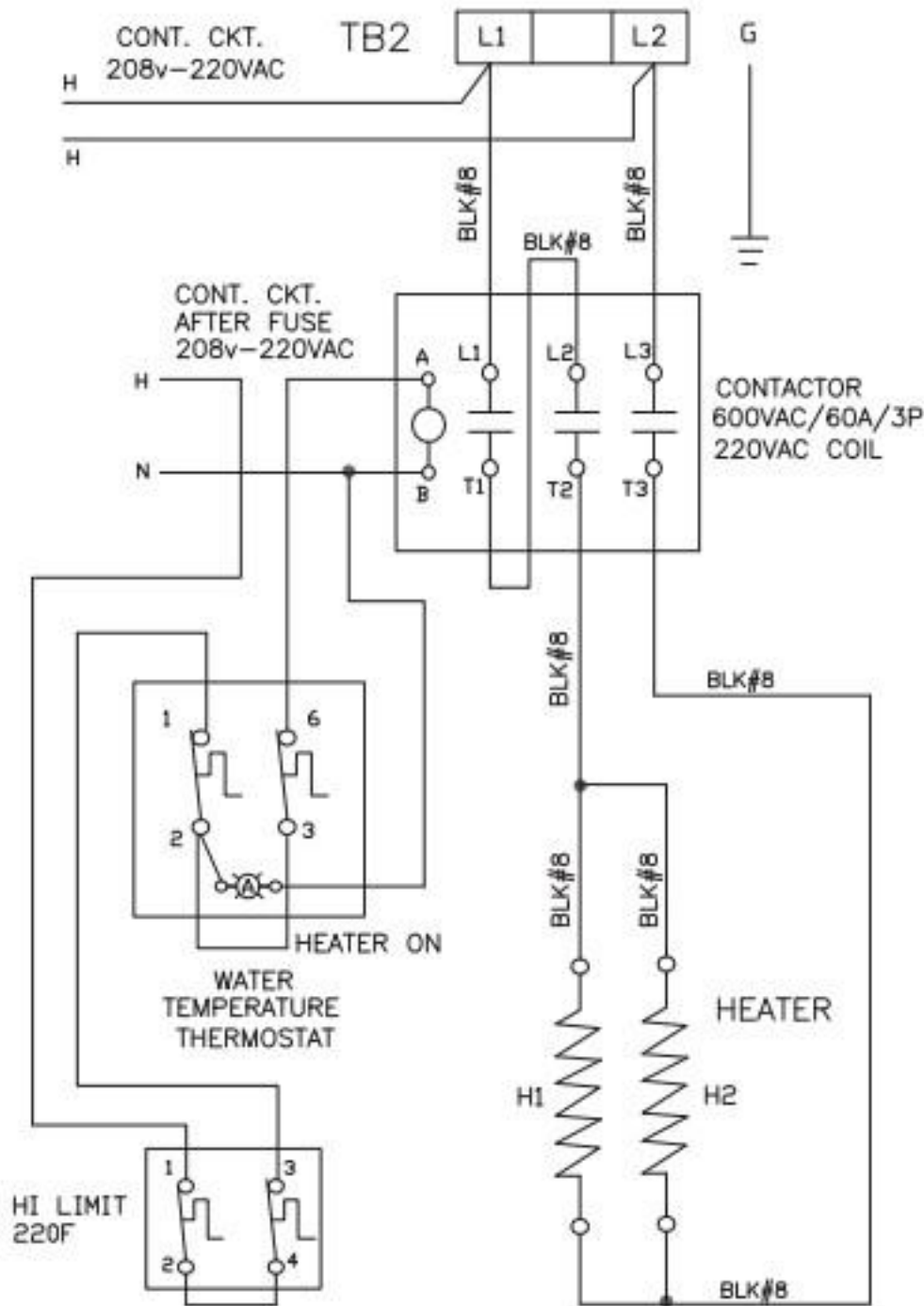
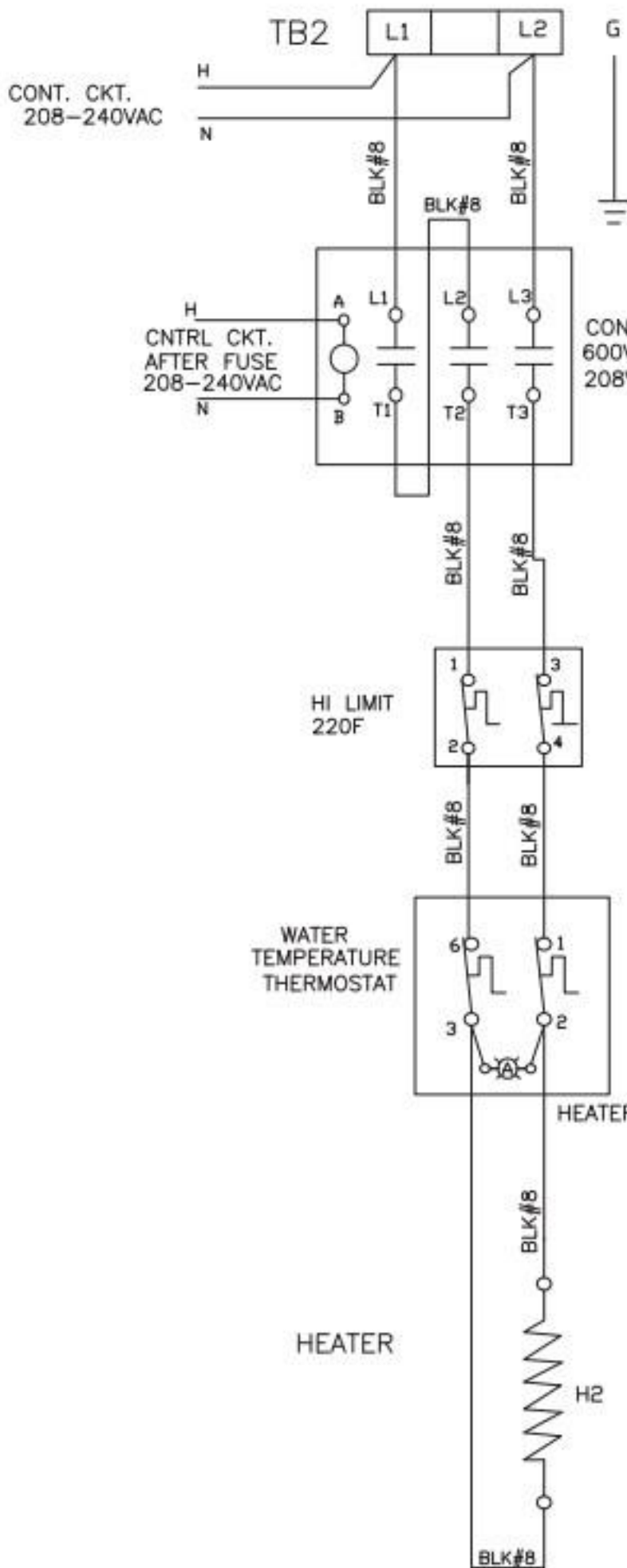


Configuration #5
Heater Circuit
380-480VAC, 3PHASE
4W+G





Configuration #11
 Heater Circuit
 Single Phase 2W+G



VOLTAGE: SEE BOM

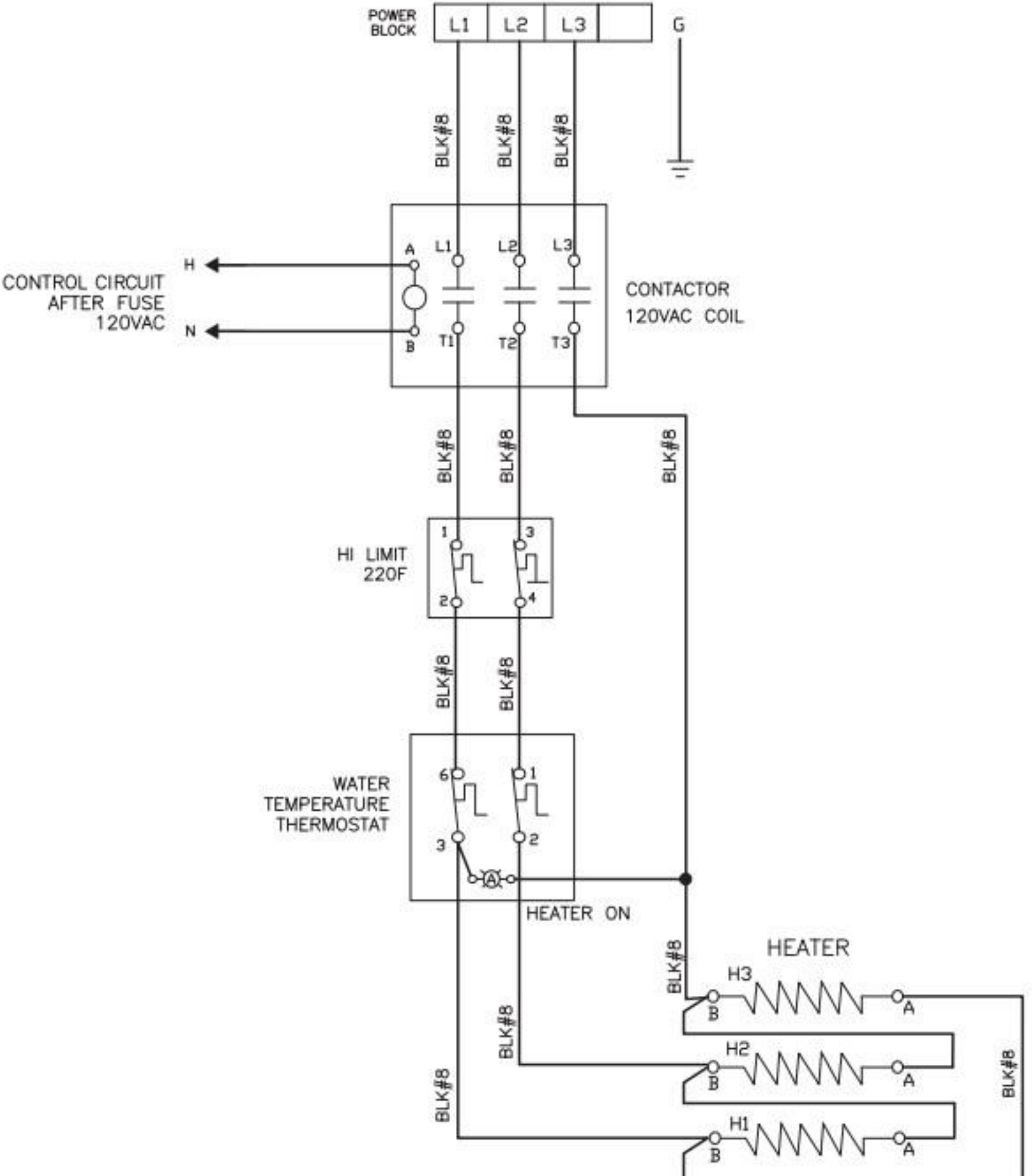
WATTAGE: SEE BOM

AMPERAGE:

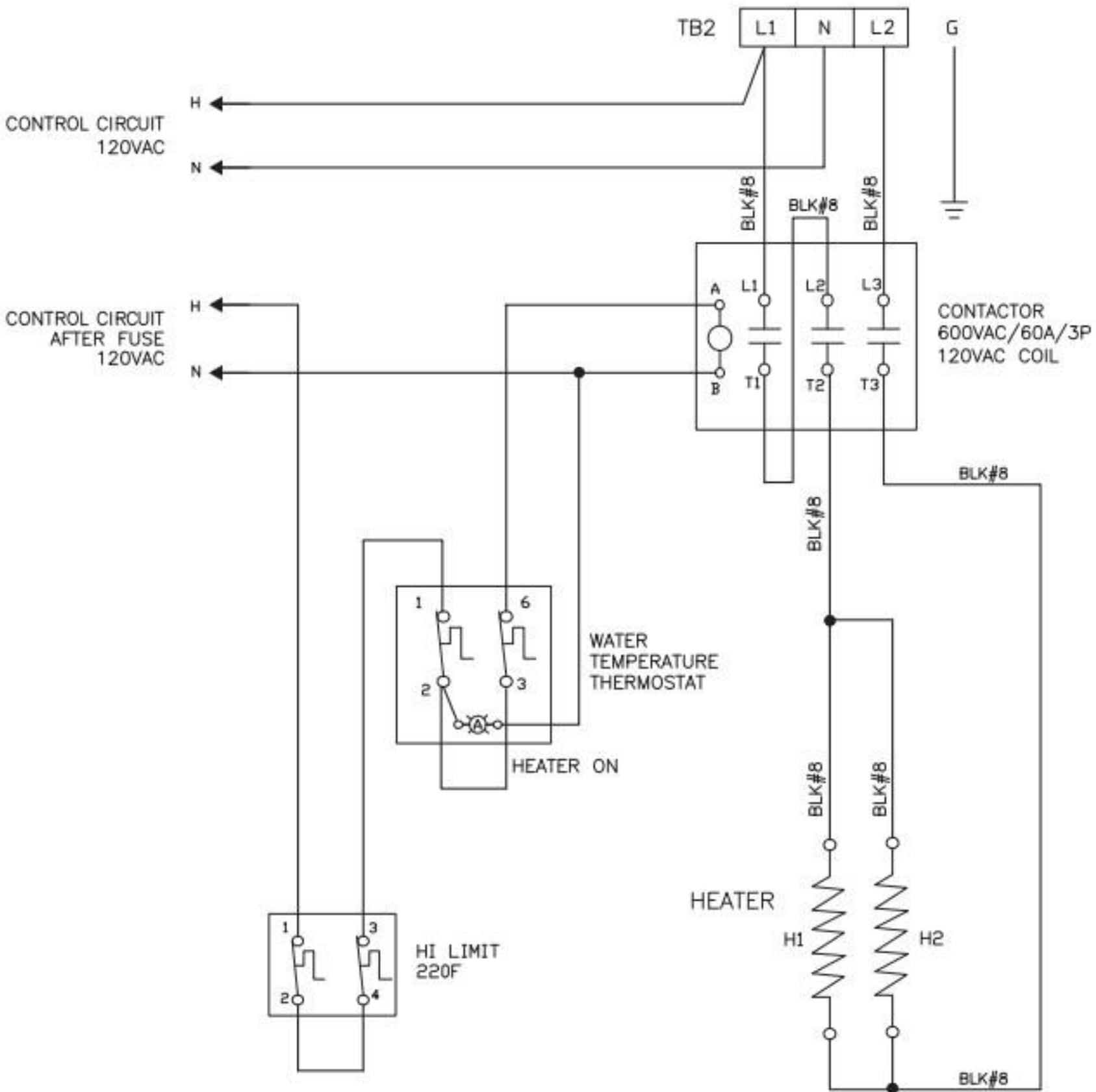
TITLE: LADDE

LADDE

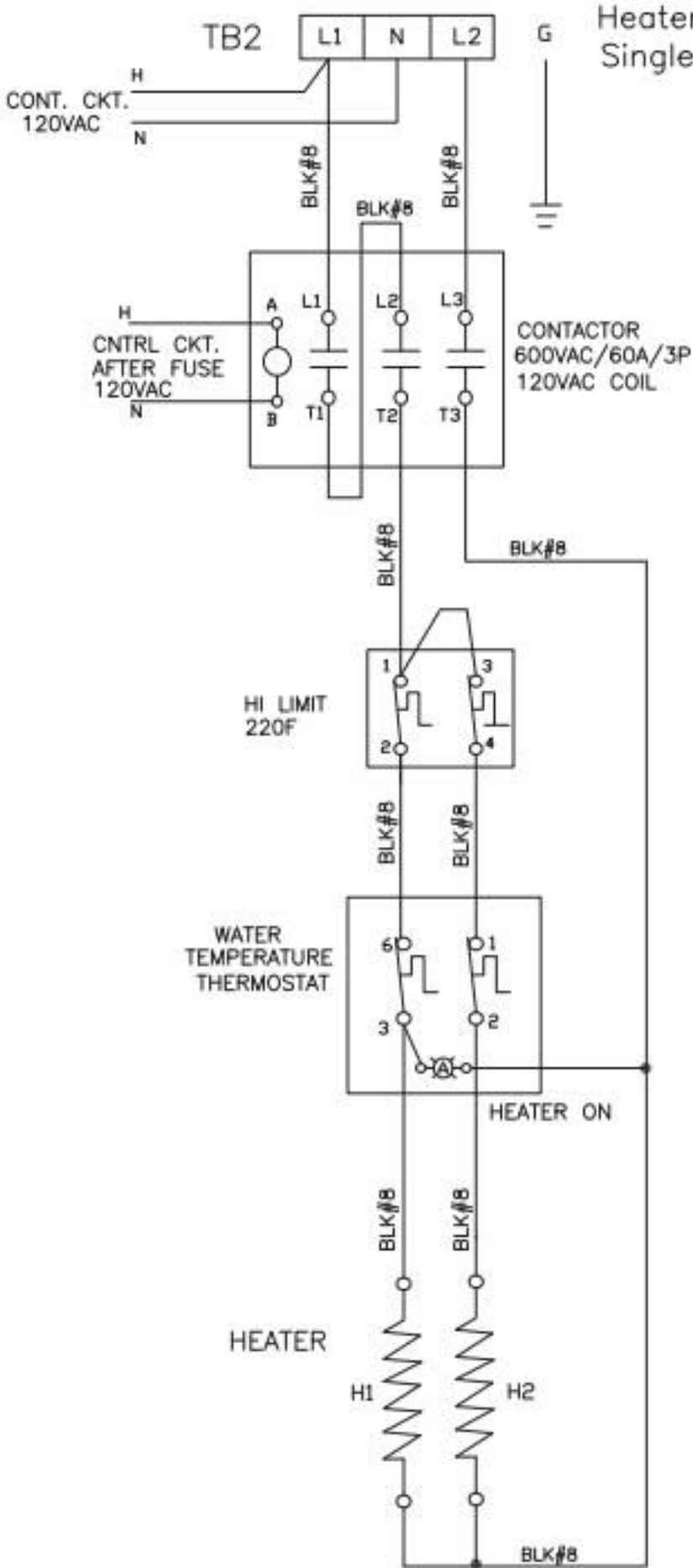
Configuration #12
Heater Circuit
3PHASE 3W+G
With 120VAC POWER CORD CNTRL CIRCUIT



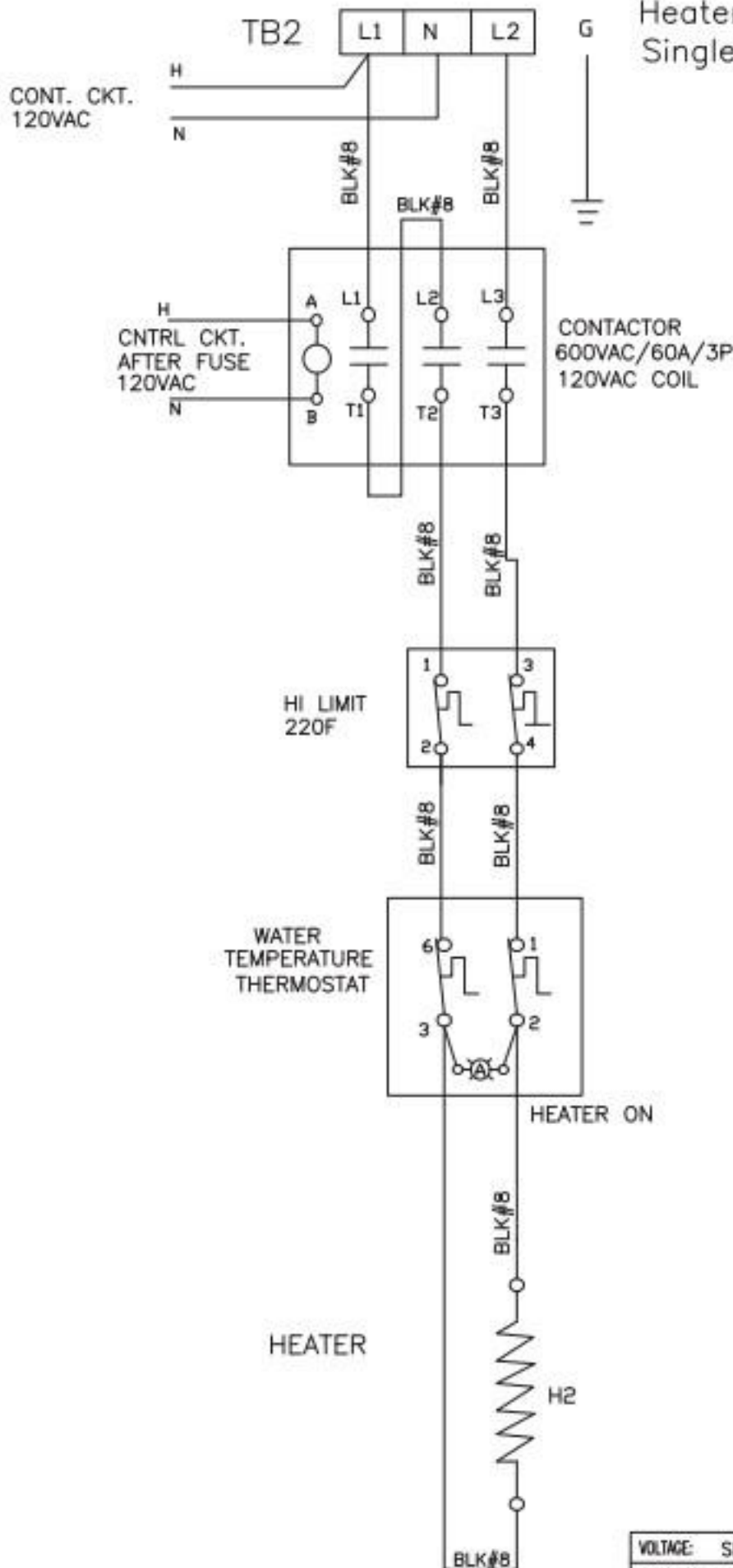
Configuration #3
Heater Circuit
Single Phase 3W+G



Configuration #1
Heater Circuit
Single Phase 3W+G



Configuration #10
Heater Circuit
Single Phase 3W+G



VOLTAGE: SEE BOM

WATTAGE: SEE BOM

TITLE: LADD

