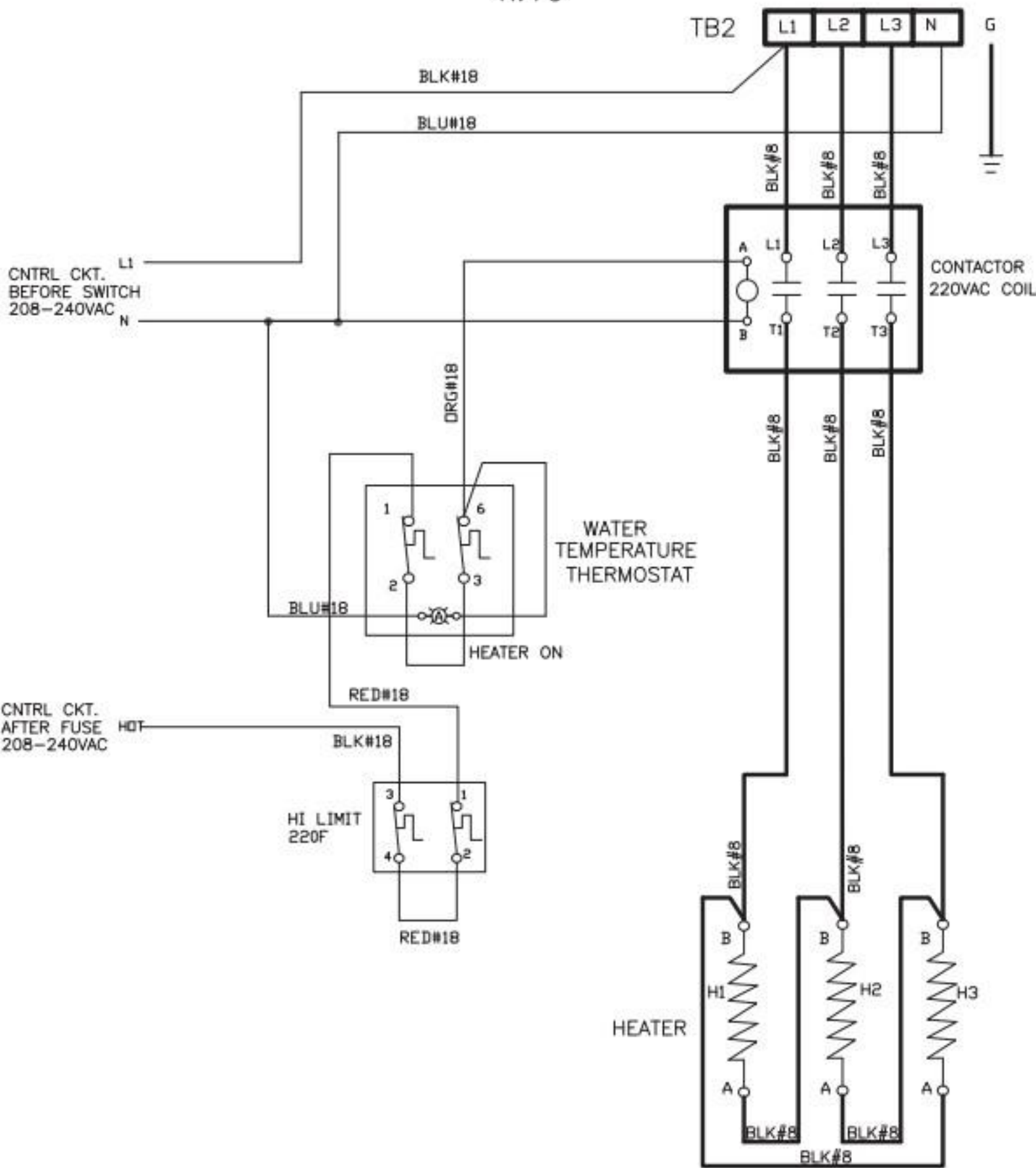
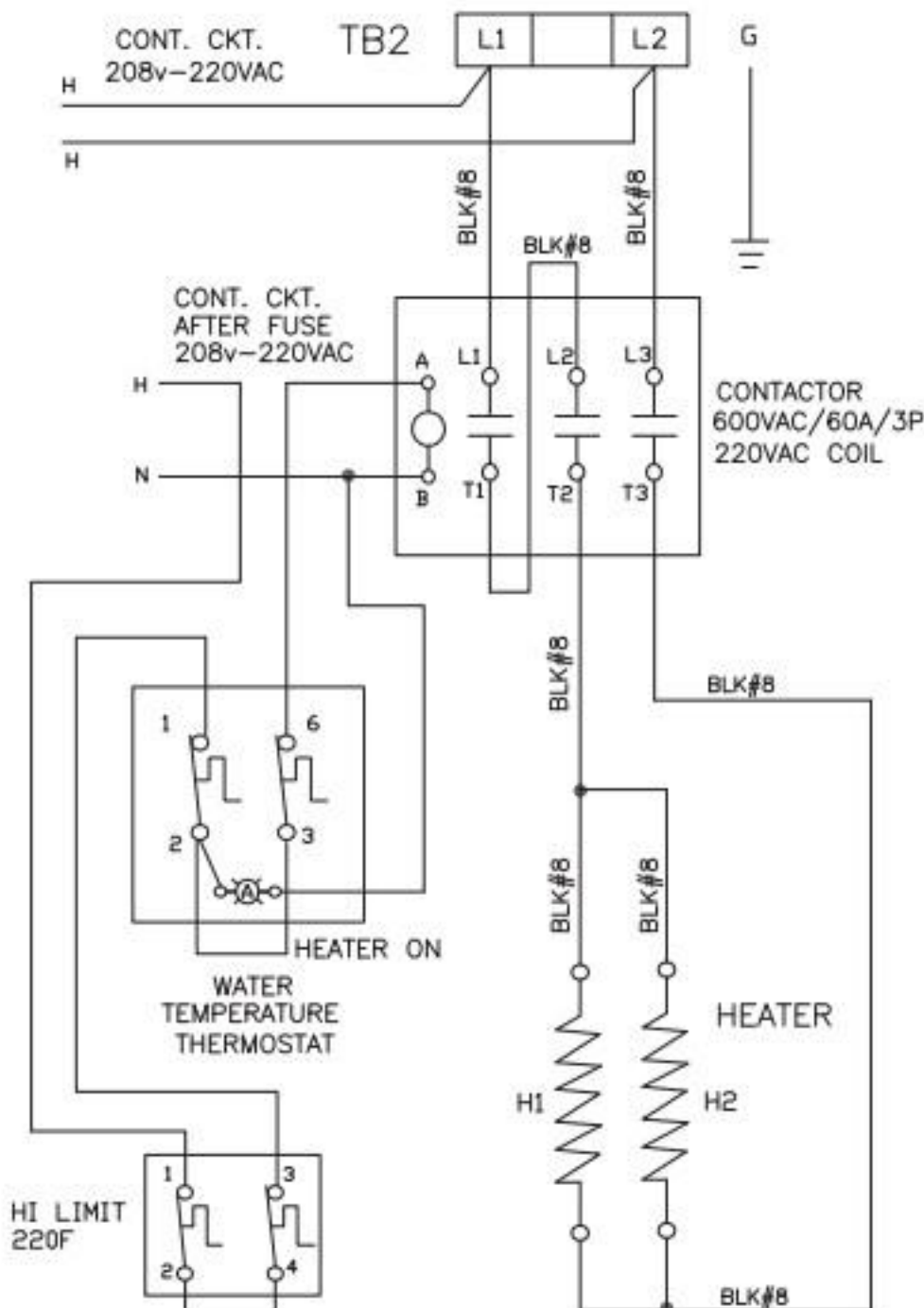
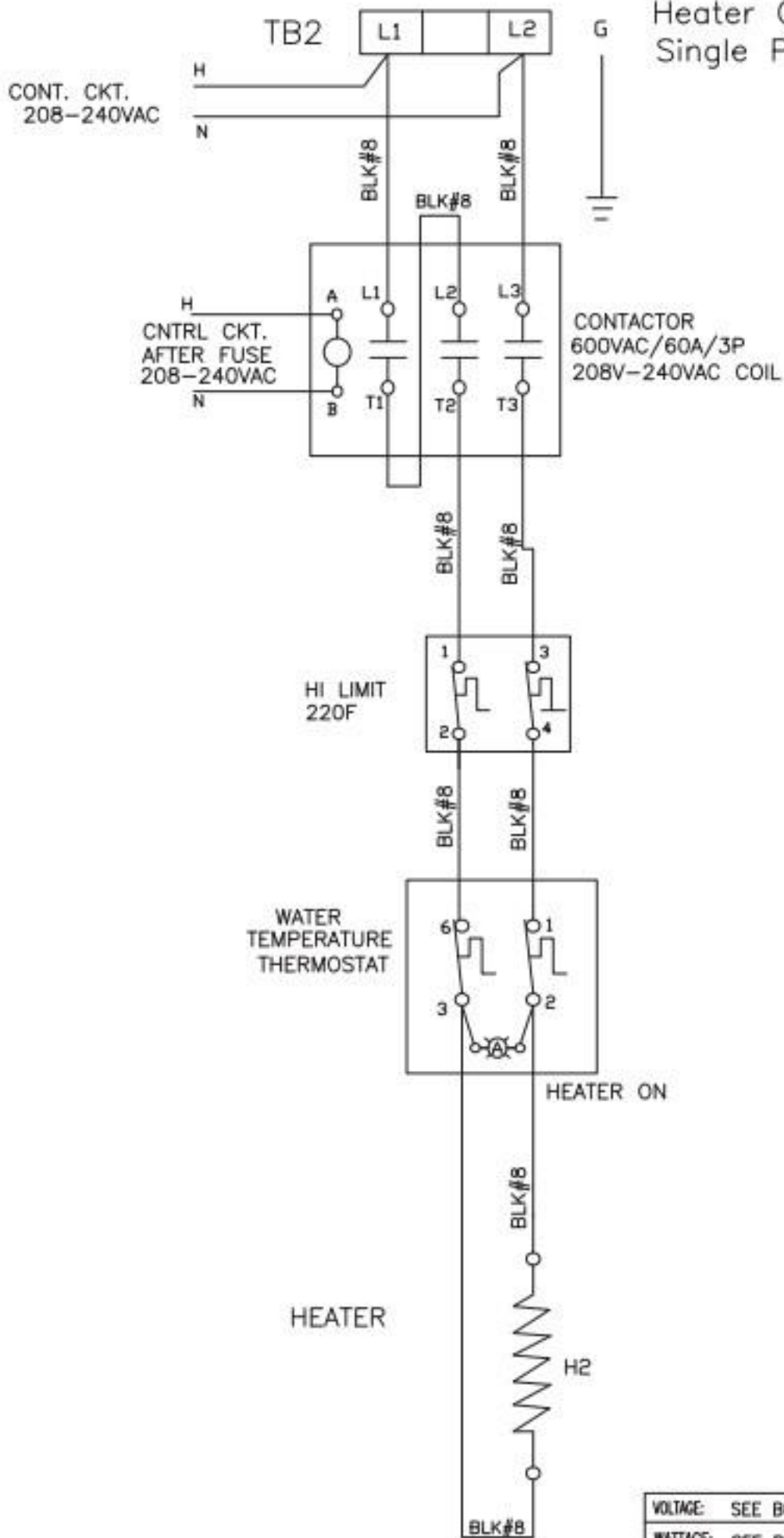


Configuration #5  
 Heater Circuit  
 380-480VAC, 3PHASE  
 4W+G





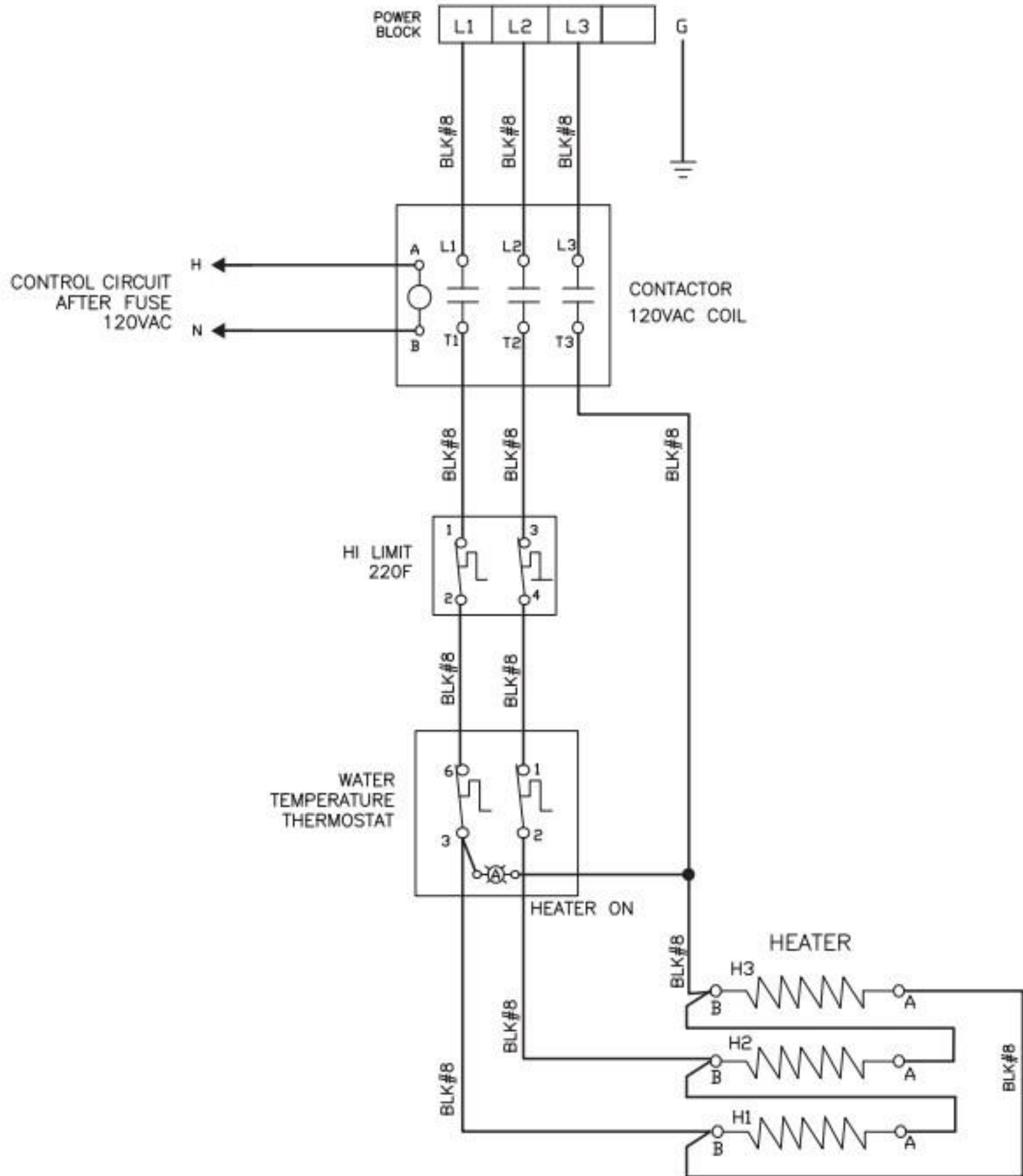
Configuration #11  
Heater Circuit  
Single Phase 2W+G



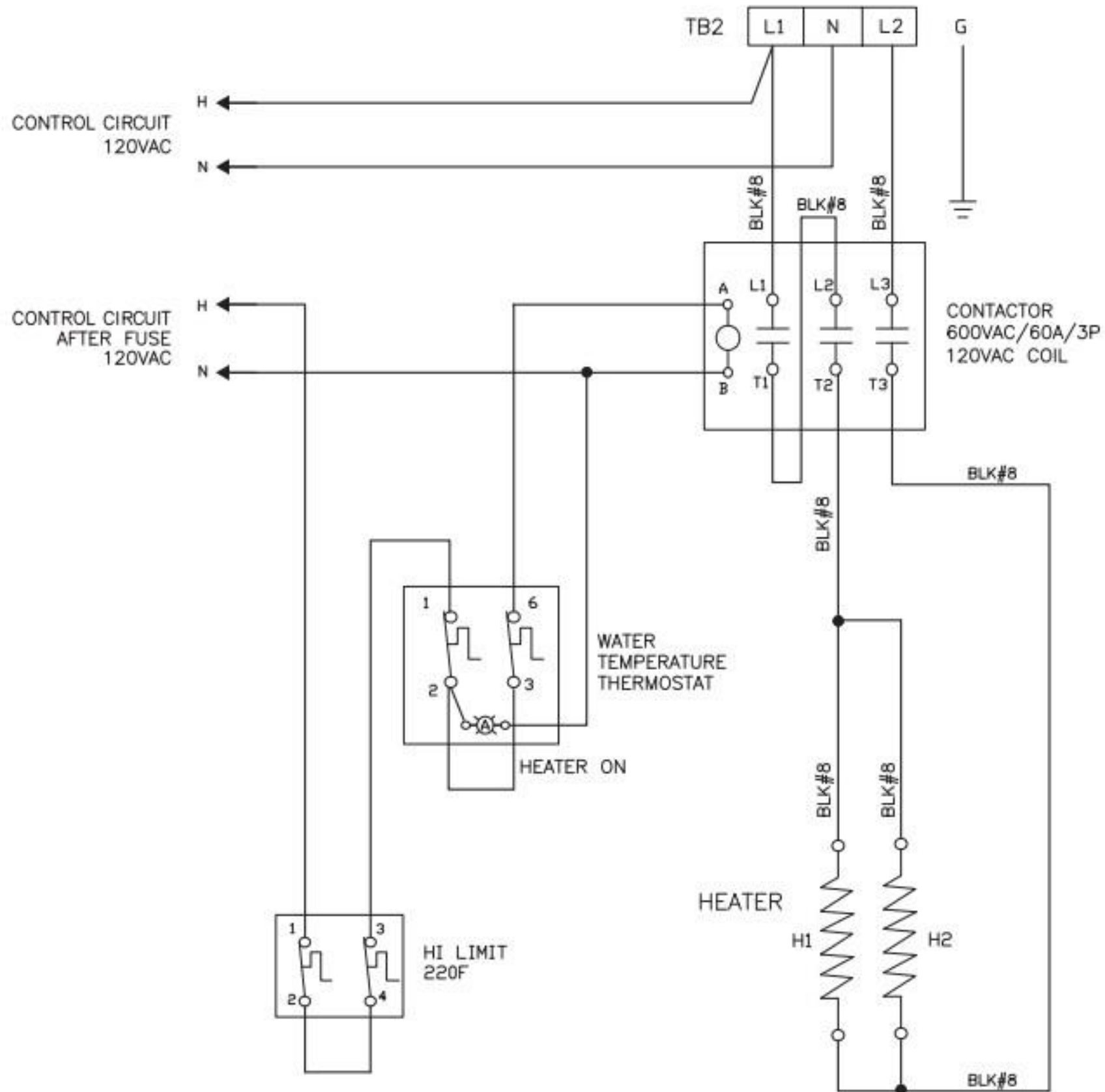
VOLTAGE: SEE BOM  
WATTAGE: SEE BOM

TITLE: LADDER

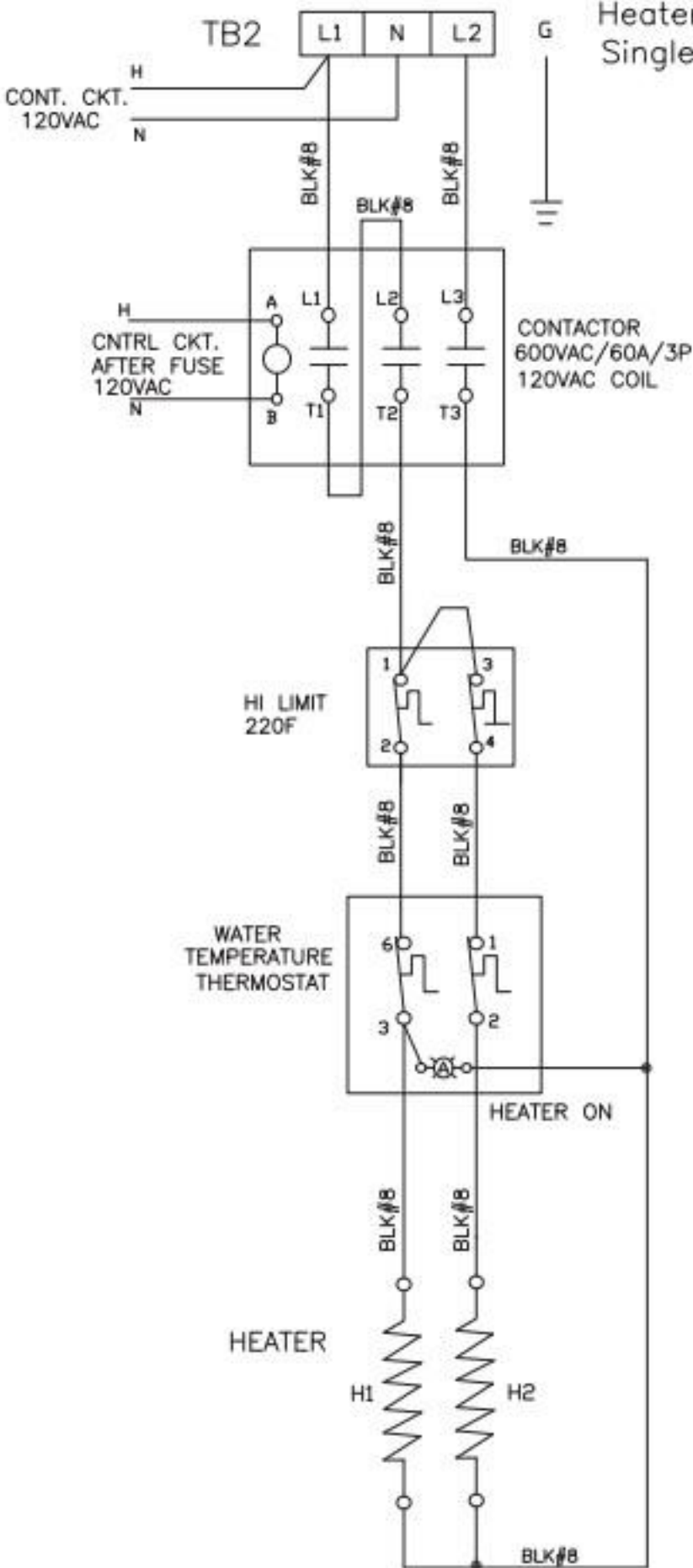
Configuration #12  
Heater Circuit  
3PHASE 3W+G  
With 120VAC POWER CORD CNTRL CIRCUIT



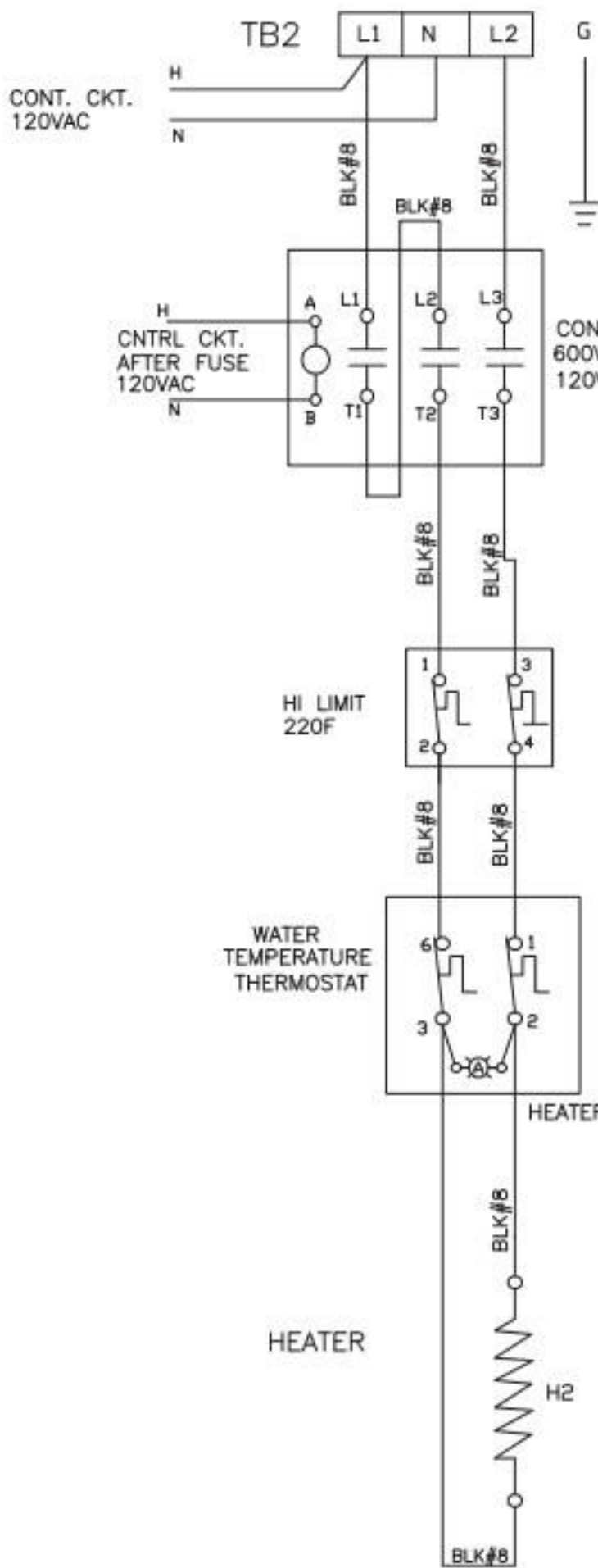
Configuration #3  
Heater Circuit  
Single Phase 3W+G



Configuration #1  
Heater Circuit  
Single Phase 3W+G



Configuration #10  
 Heater Circuit  
 Single Phase 3W+G



VOLTAGE: SEE BOM

WATTAGE: SEE BOM

TITLE: LADD

