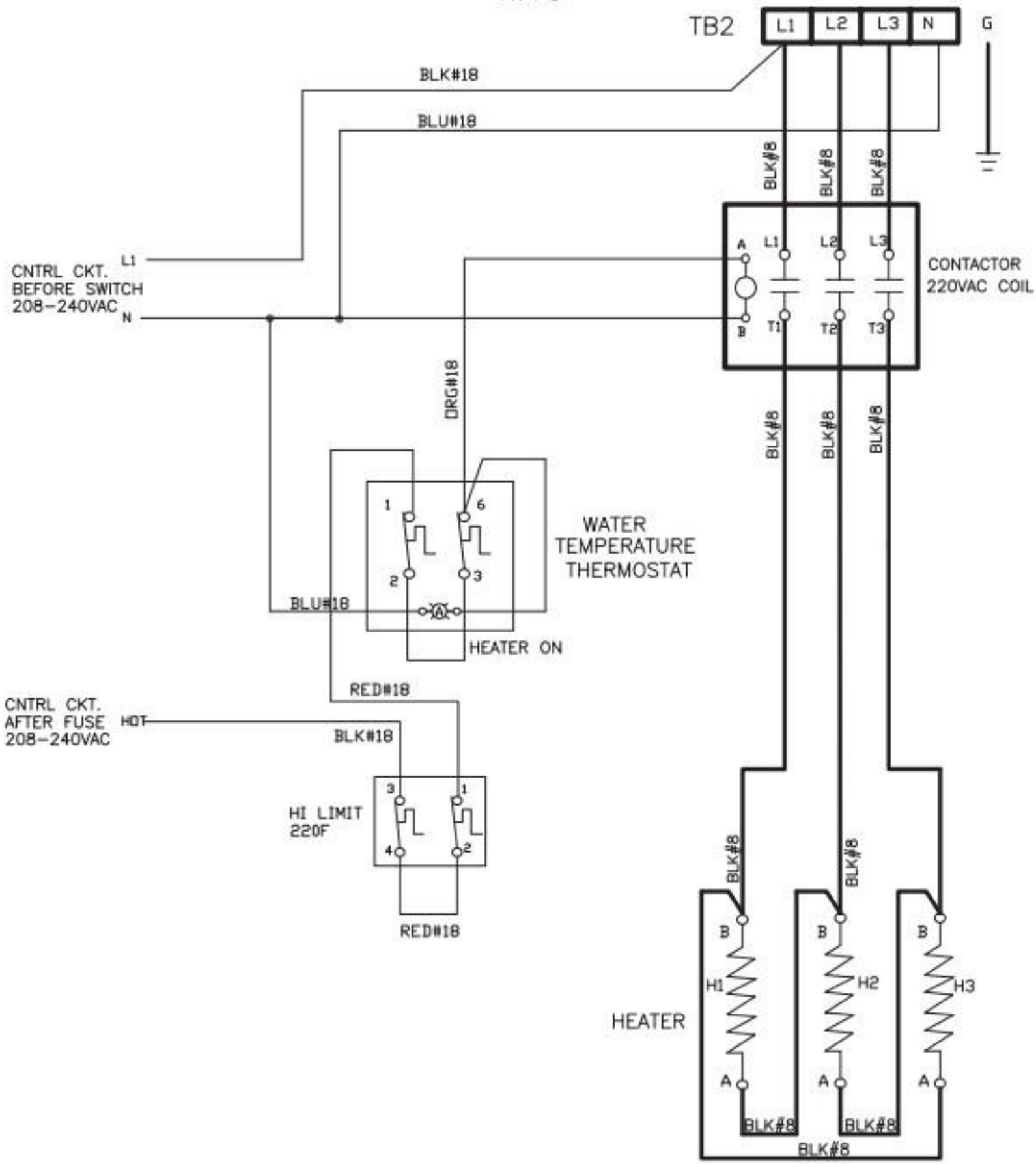
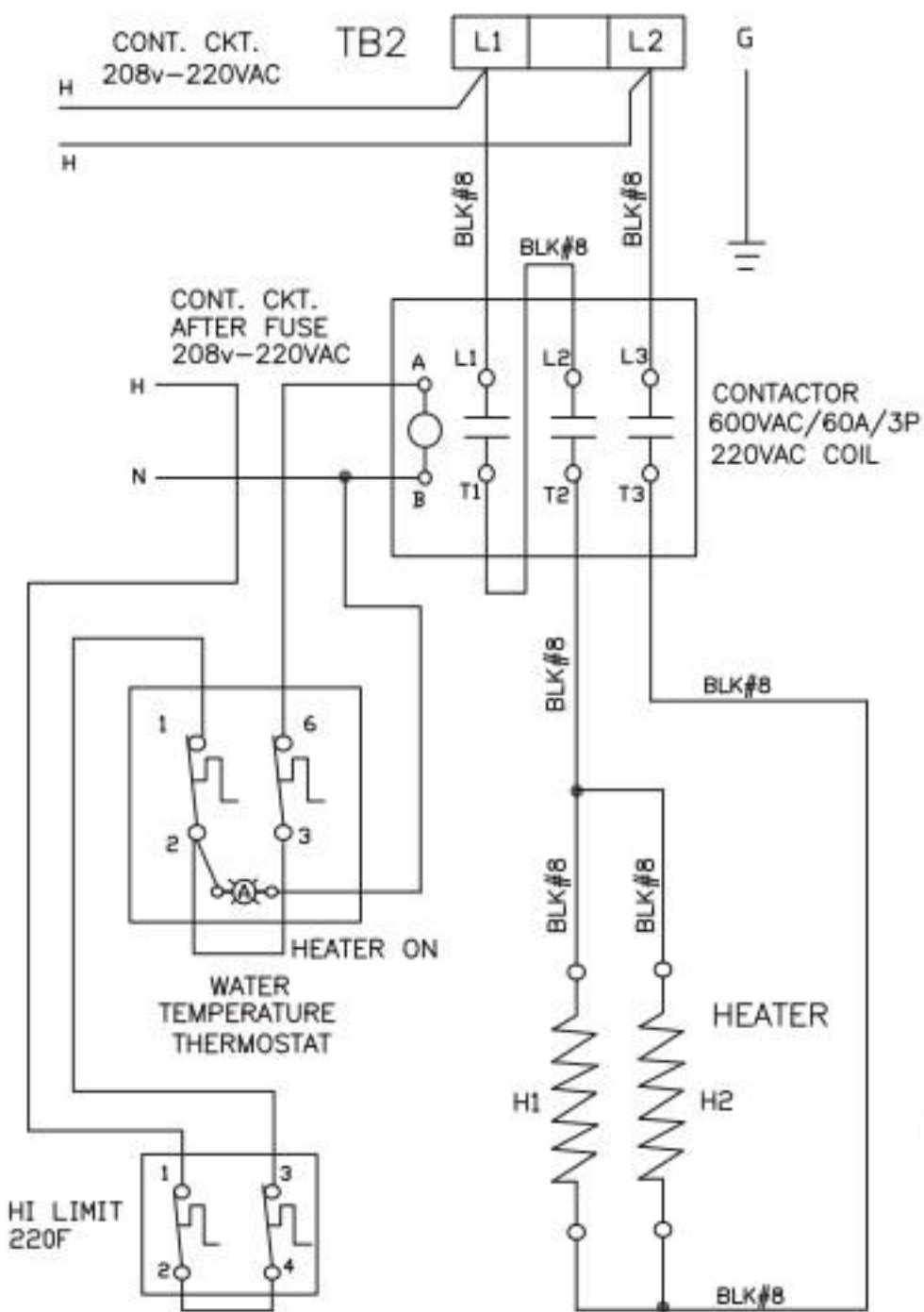
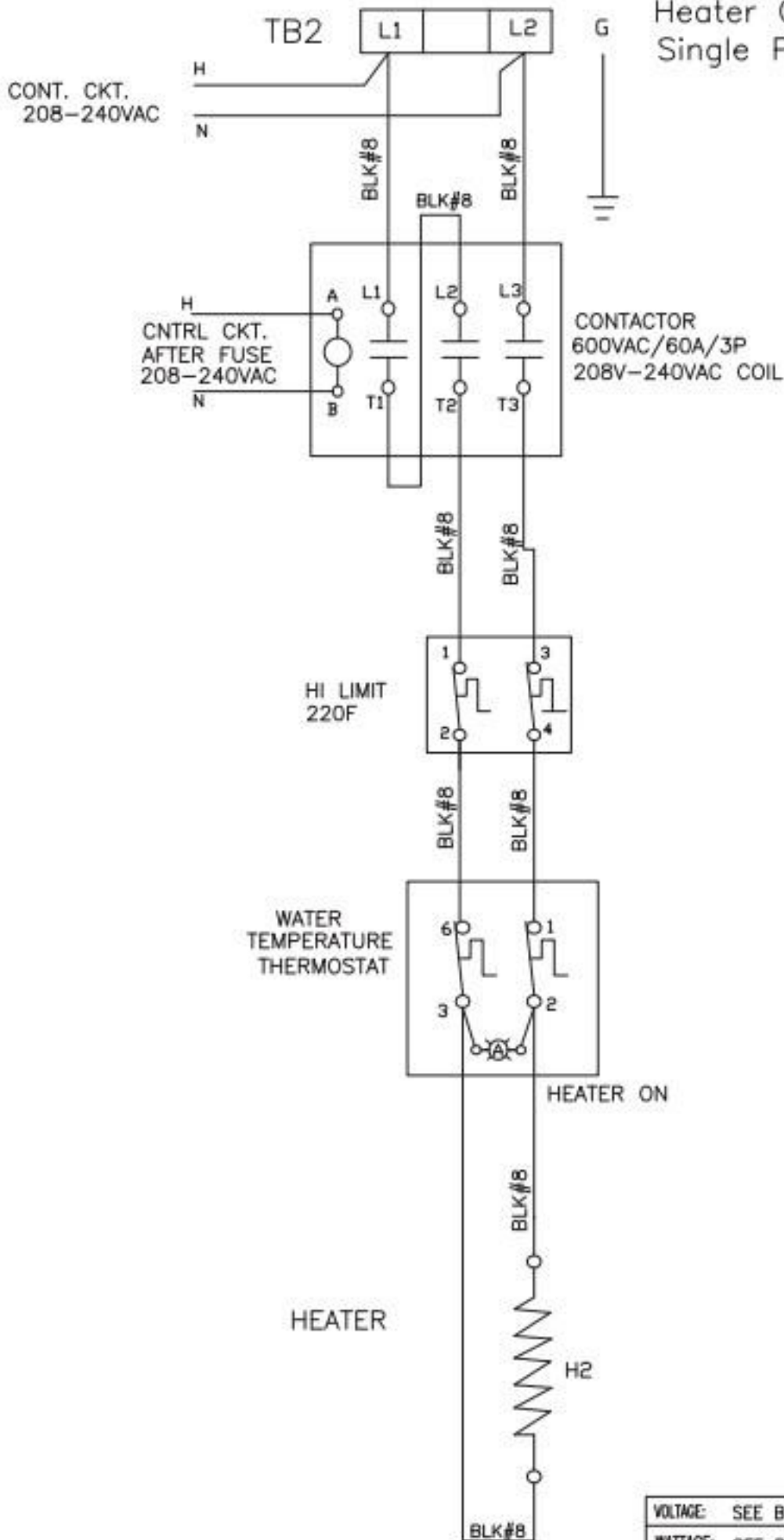


Configuration #5  
Heater Circuit  
380-480VAC, 3PHASE  
4W+G





Configuration #11  
 Heater Circuit  
 Single Phase 2W+G

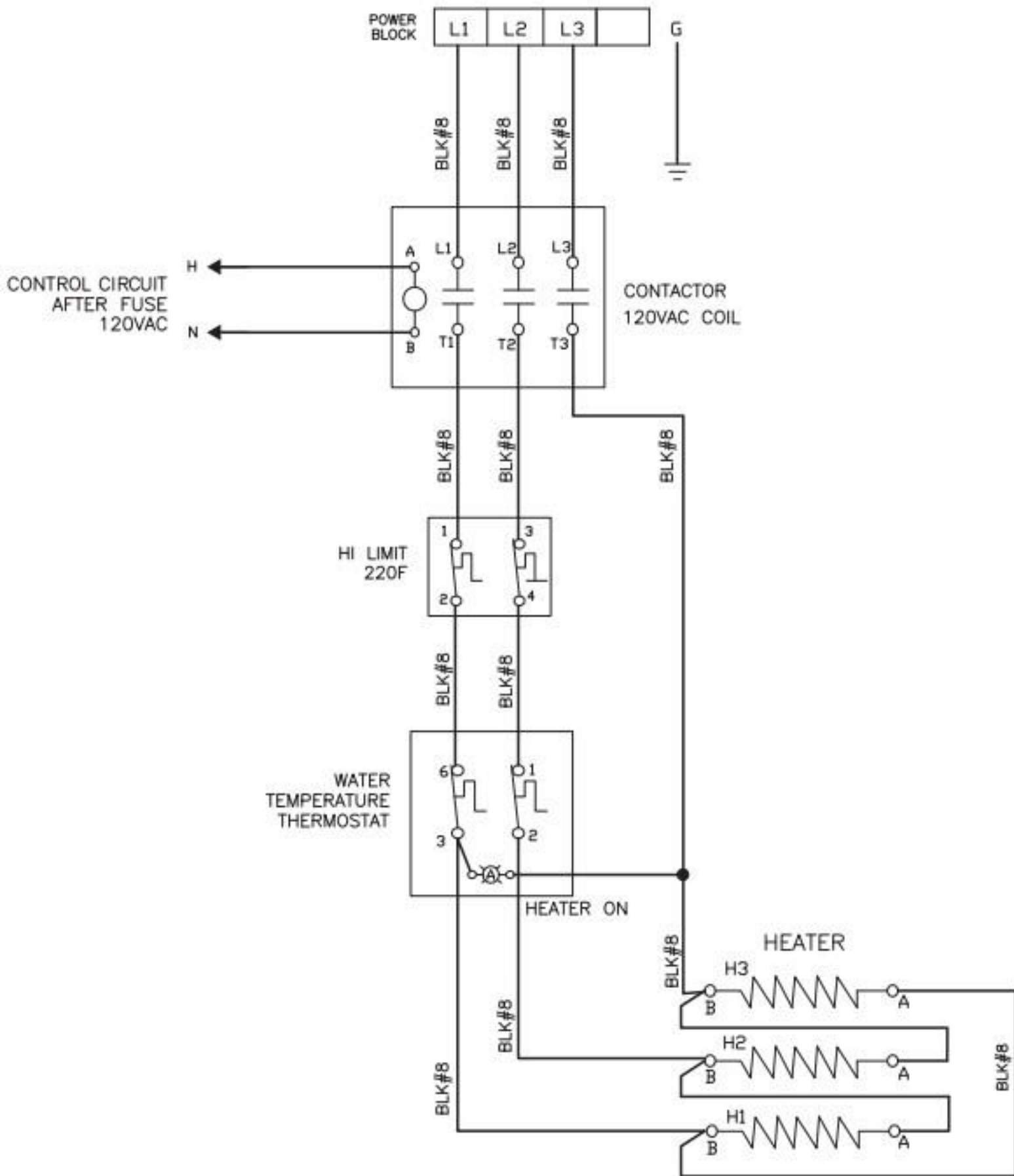


VOLTAGE: SEE BOM

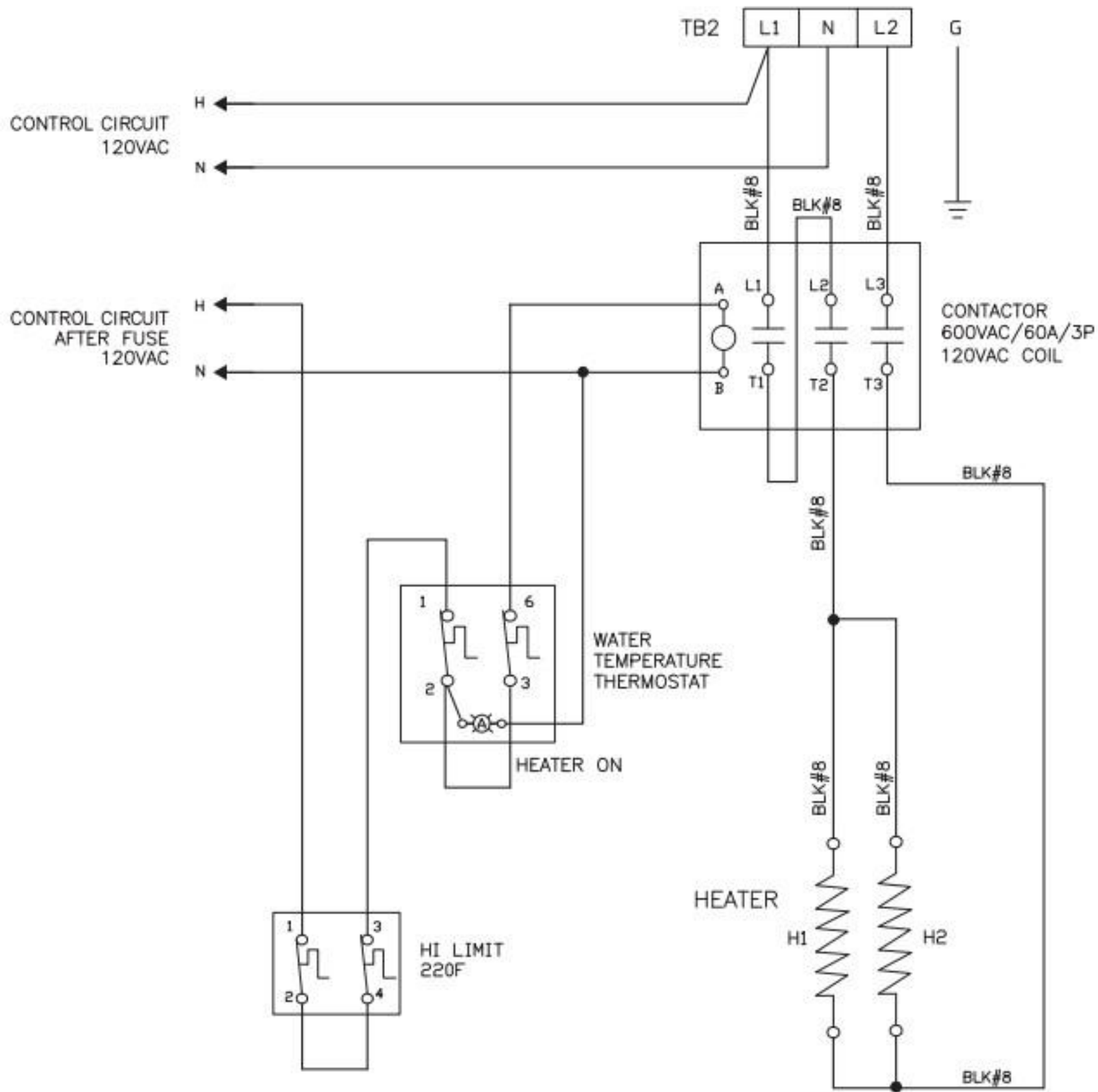
WATTAGE: SEE BOM

TITLE: LADD

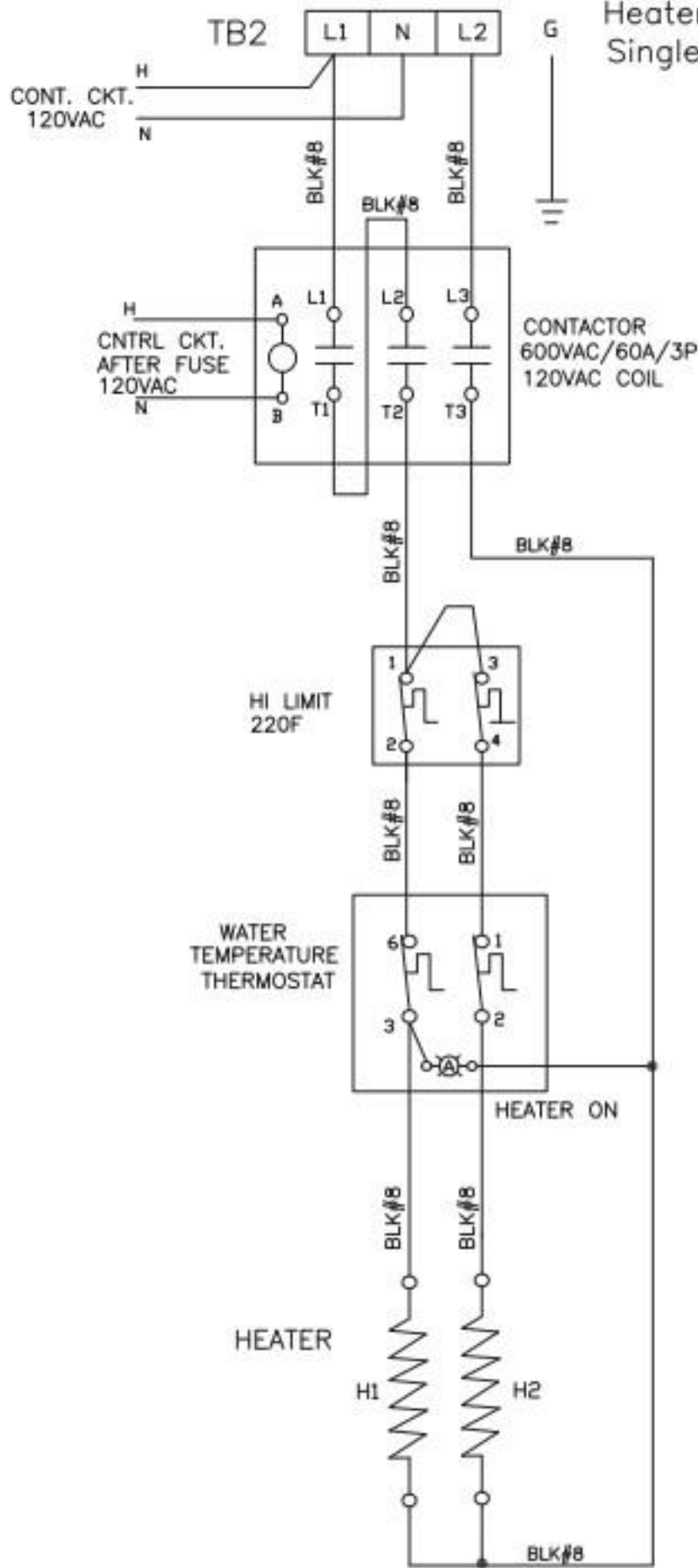
Configuration #12  
Heater Circuit  
3PHASE 3W+G  
With 120VAC POWER CORD CNTRL CIRCUIT



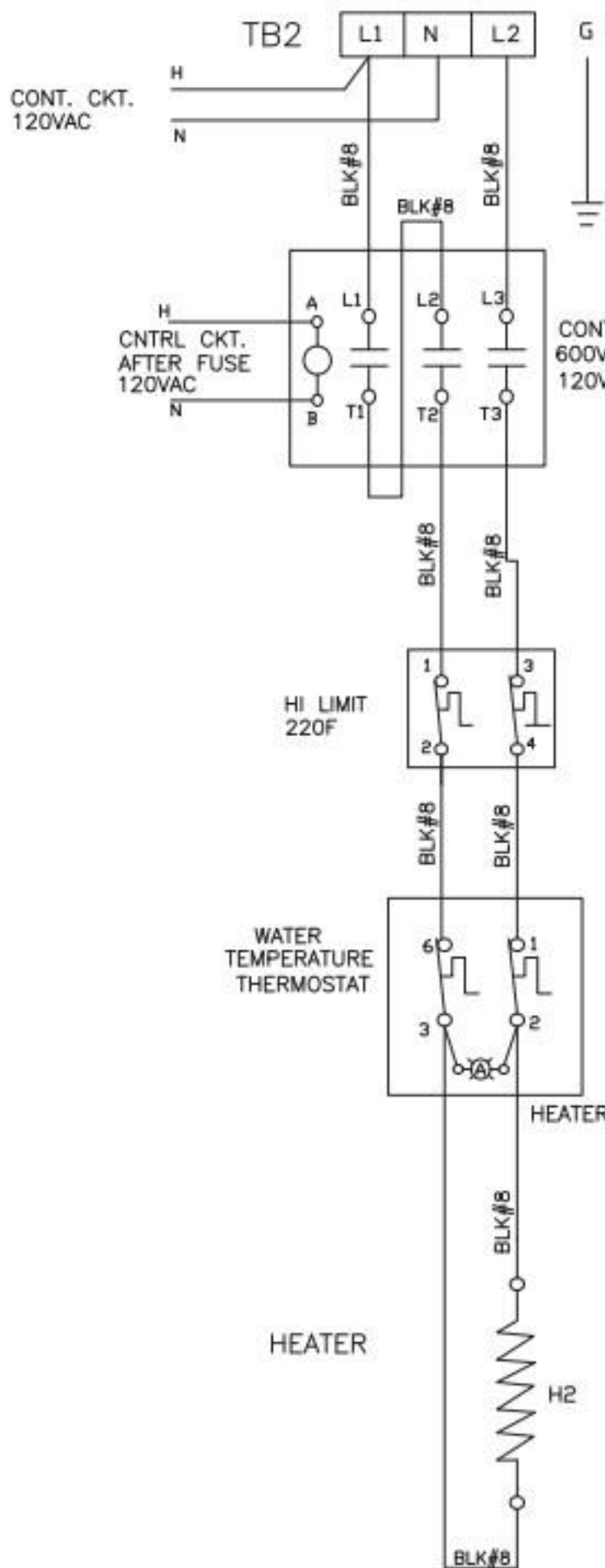
Configuration #3  
Heater Circuit  
Single Phase 3W+G



Configuration #1  
Heater Circuit  
Single Phase 3W+G



Configuration #10  
 Heater Circuit  
 Single Phase 3W+G



VOLTAGE: SEE BOM

WATTAGE: SEE BOM

TITLE: LADD

