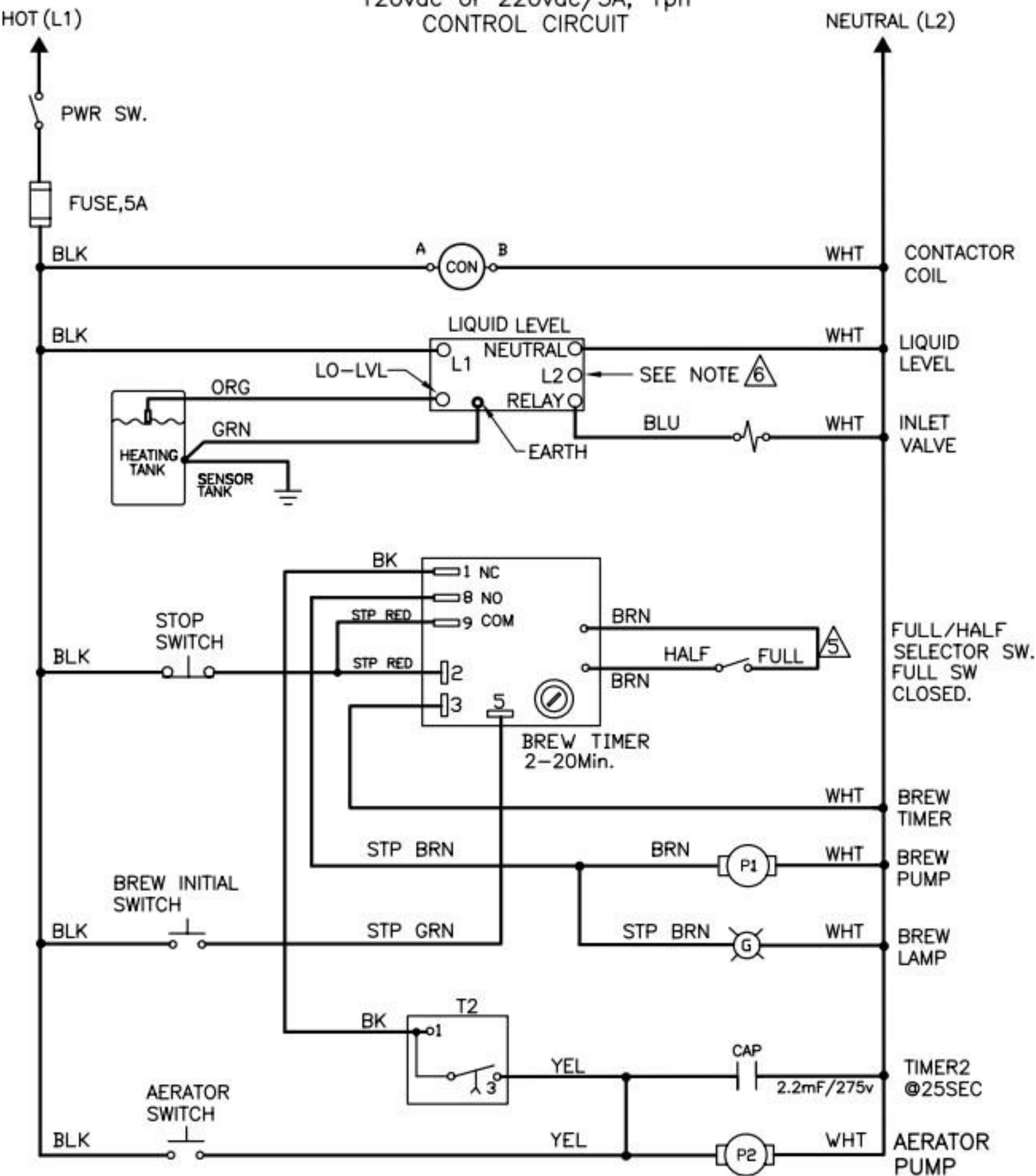
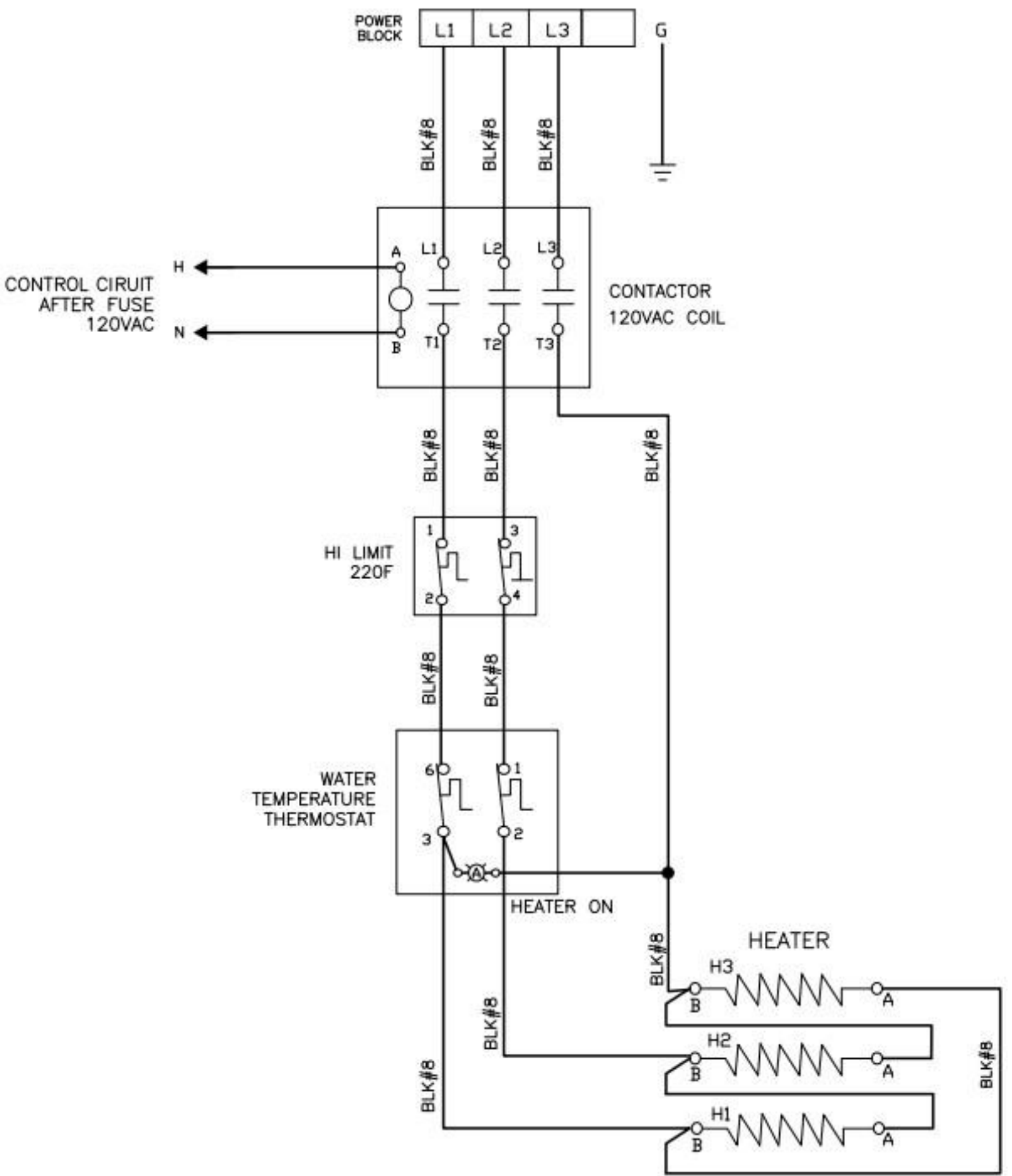


Pwr Supply  
120vac or 220vac/5A, 1ph  
CONTROL CIRCUIT



Configuration #12  
 Heater Circuit  
 3PHASE 3W+G  
 With 120VAC POWER CORD CNTRL CIRCUIT



Configuration #3  
Heater Circuit  
Single Phase 3W+G

