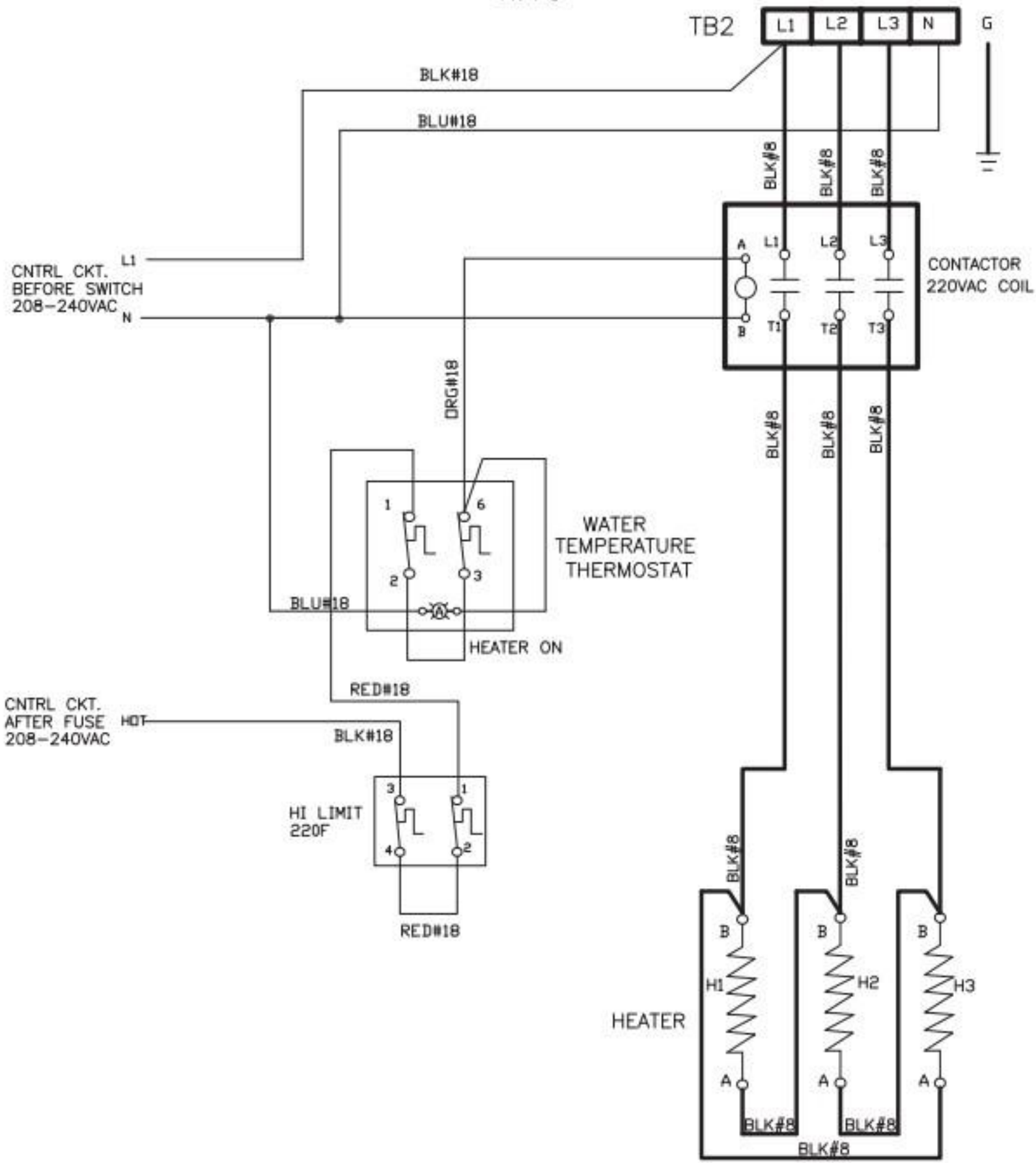
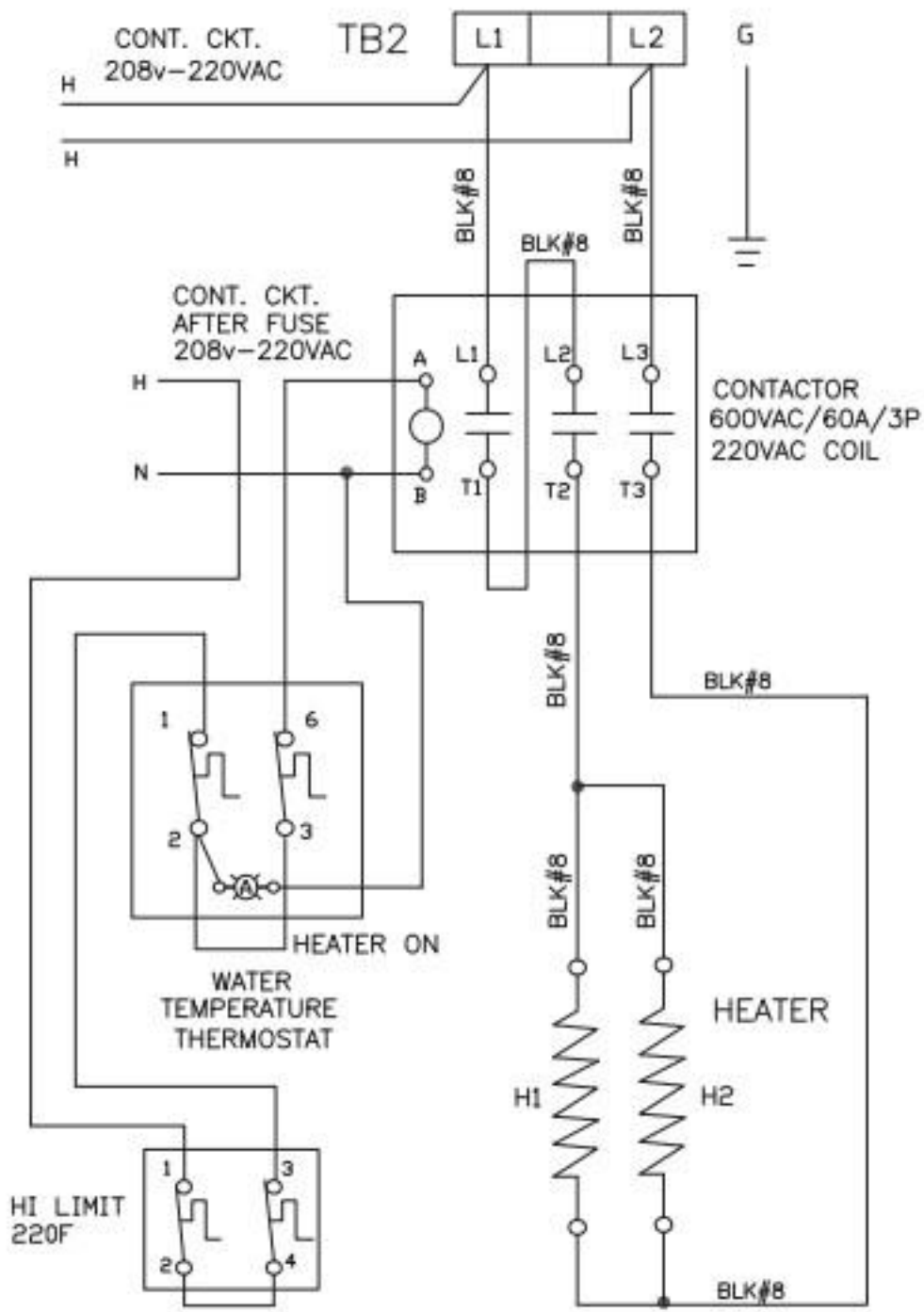
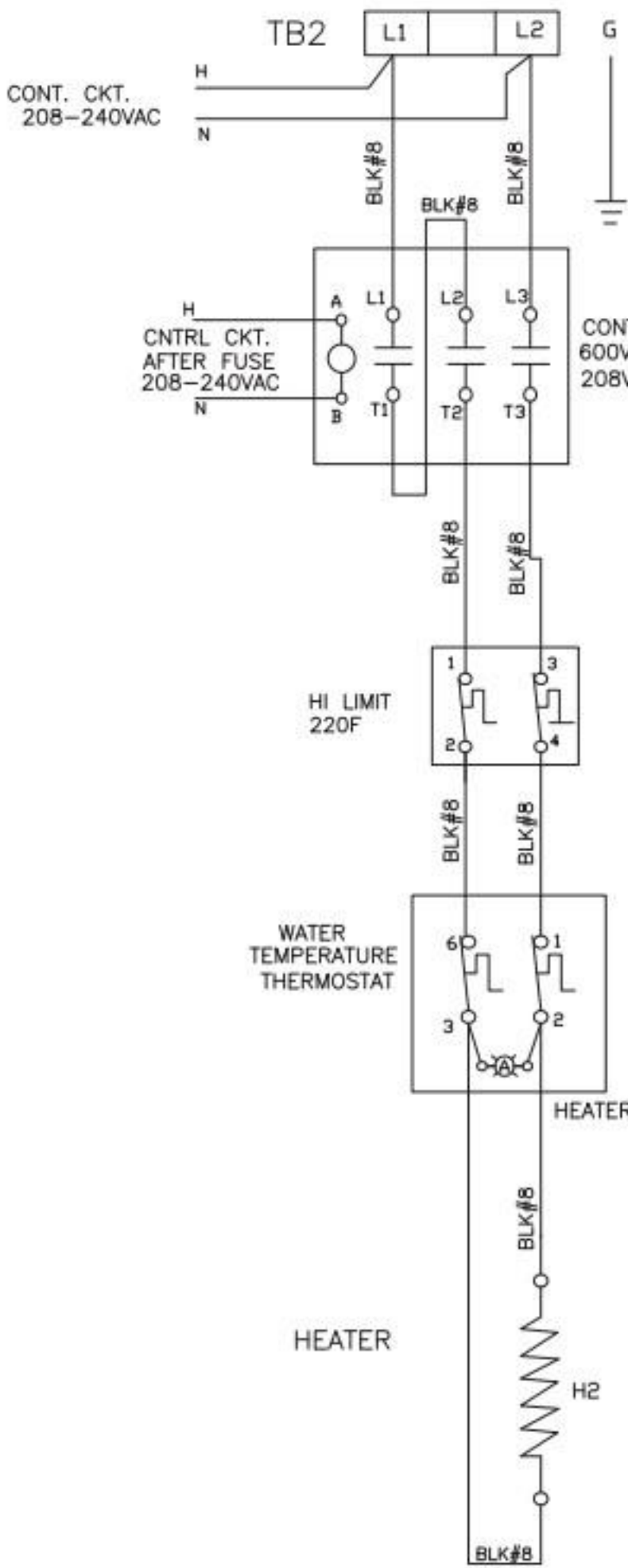


Configuration #5
Heater Circuit
380-480VAC, 3PHASE
4W+G





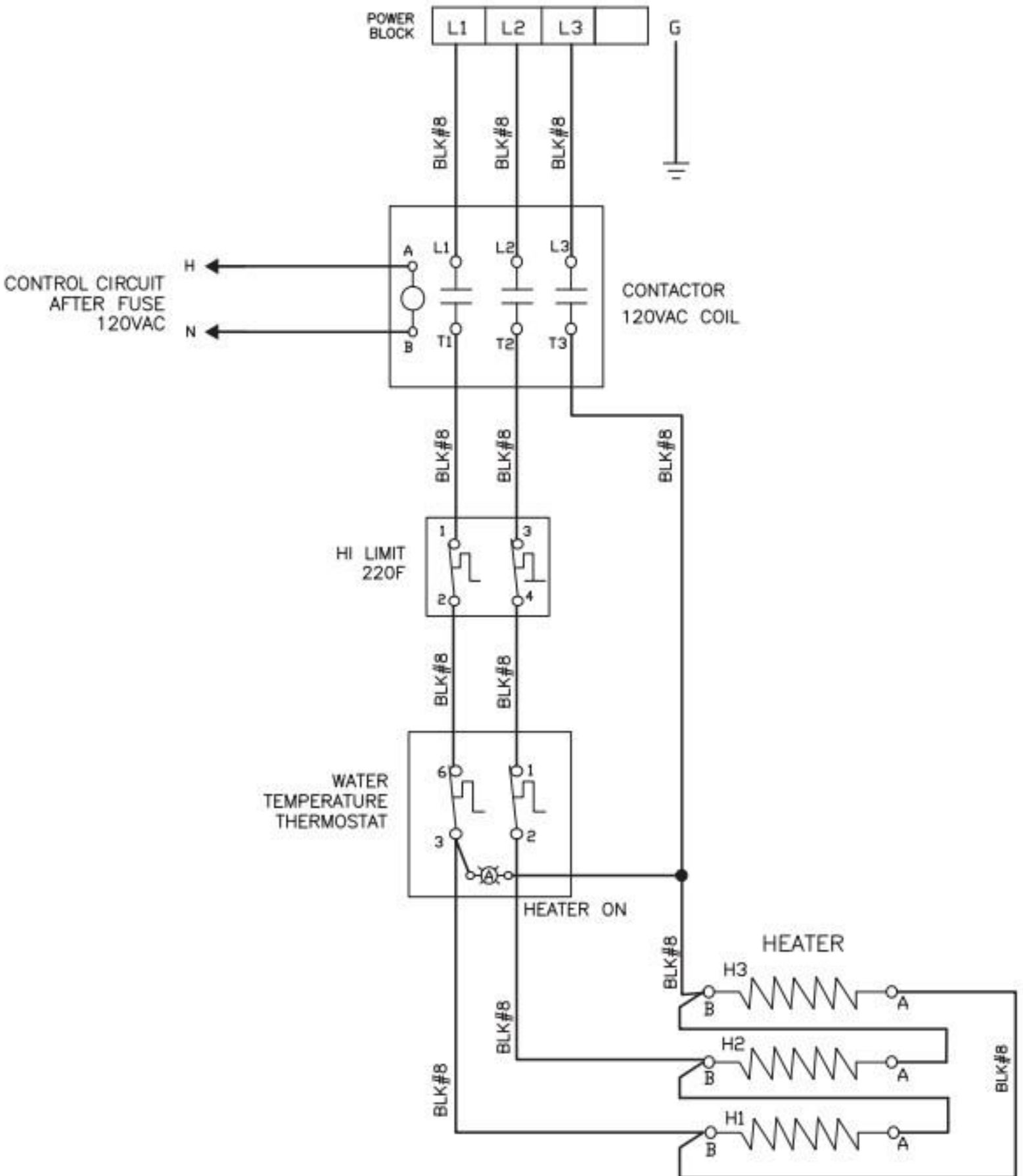
Configuration #11
Heater Circuit
Single Phase 2W+G



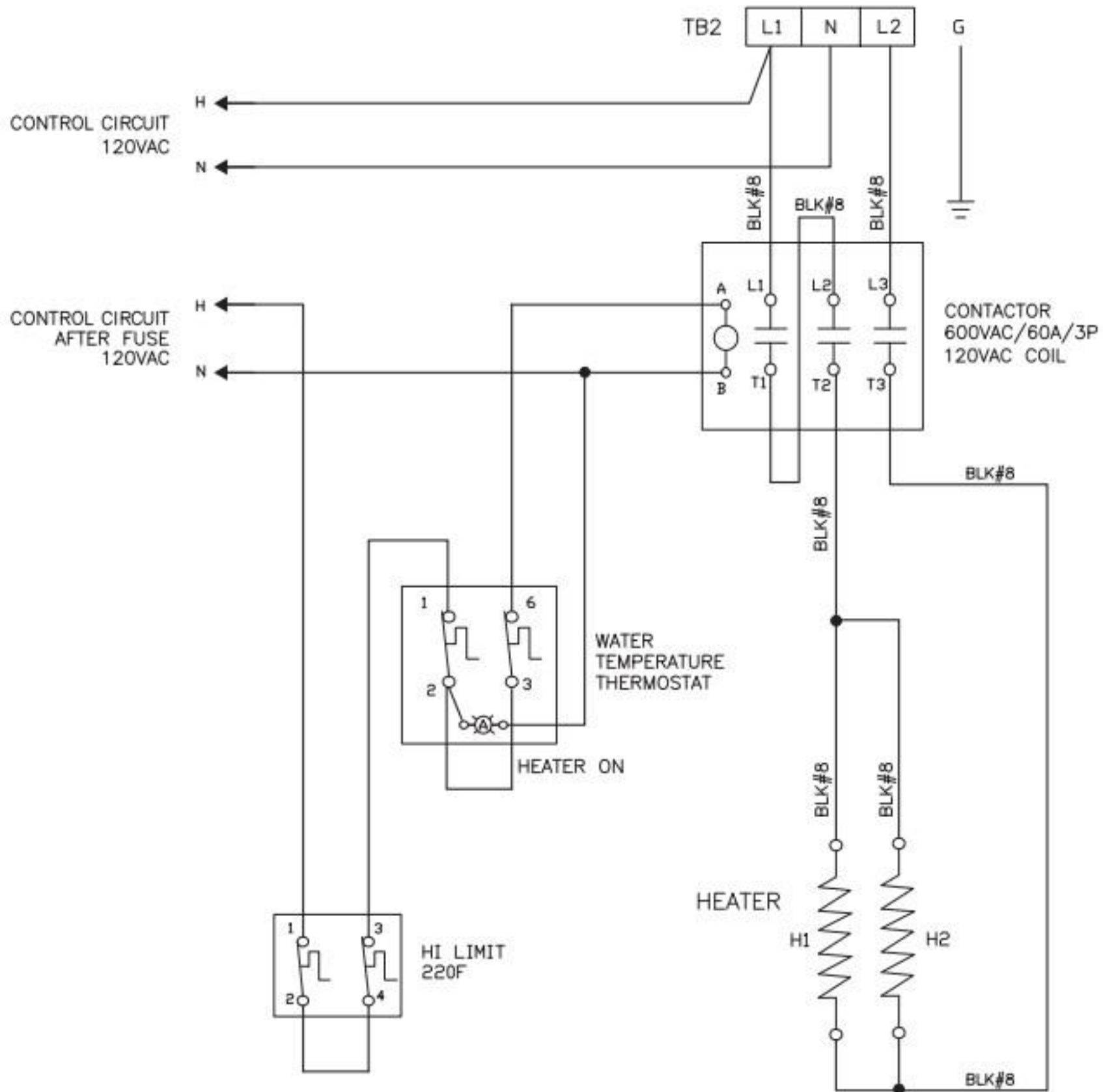
VOLTAGE:	SEE BOM
WATTAGE:	SEE BOM

TITLE: LADDER

Configuration #12
 Heater Circuit
 3PHASE 3W+G
 With 120VAC POWER CORD CNTRL CIRCUIT



Configuration #3
Heater Circuit
Single Phase 3W+G



Configuration #1
Heater Circuit
Single Phase 3W+G

