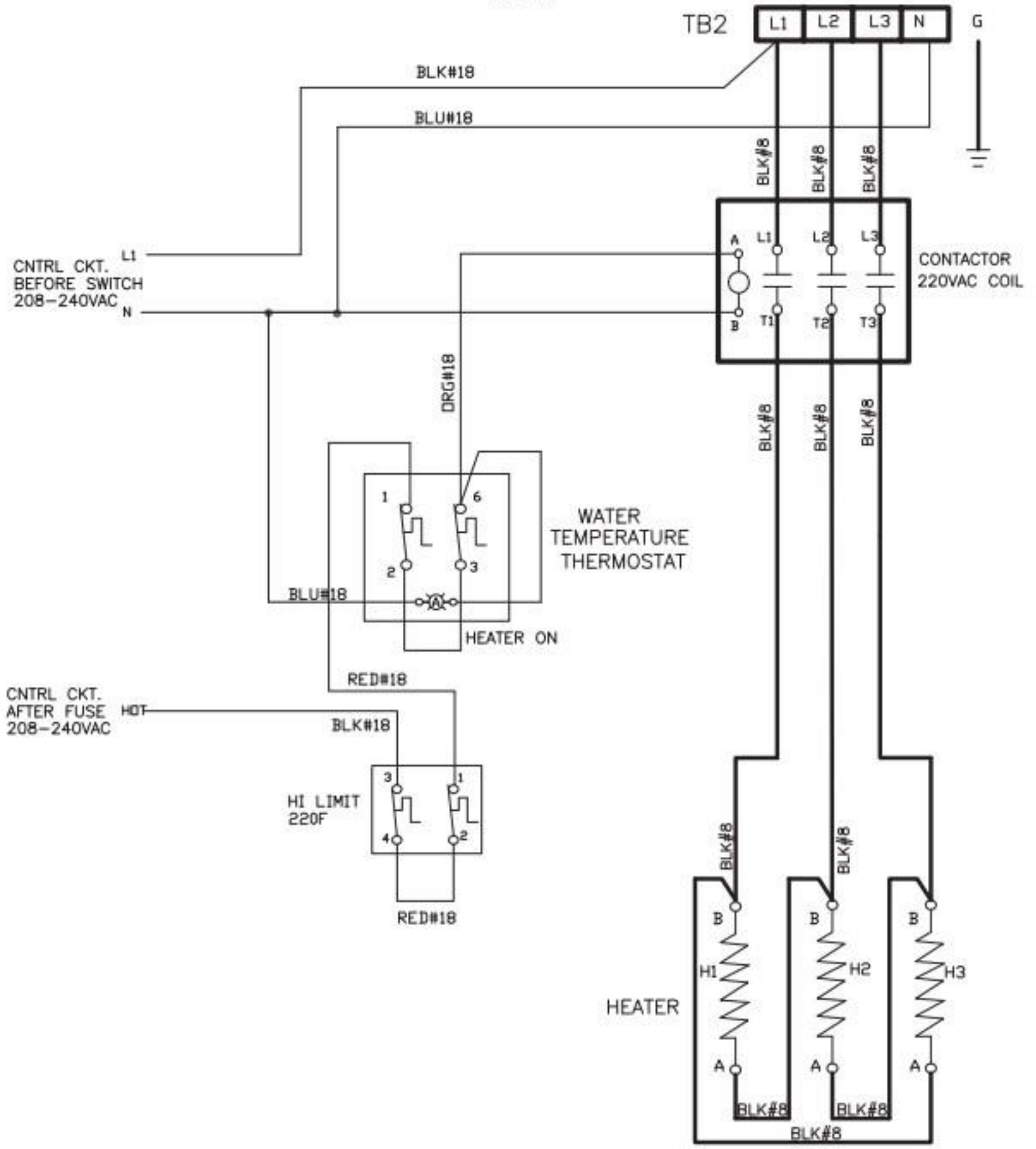
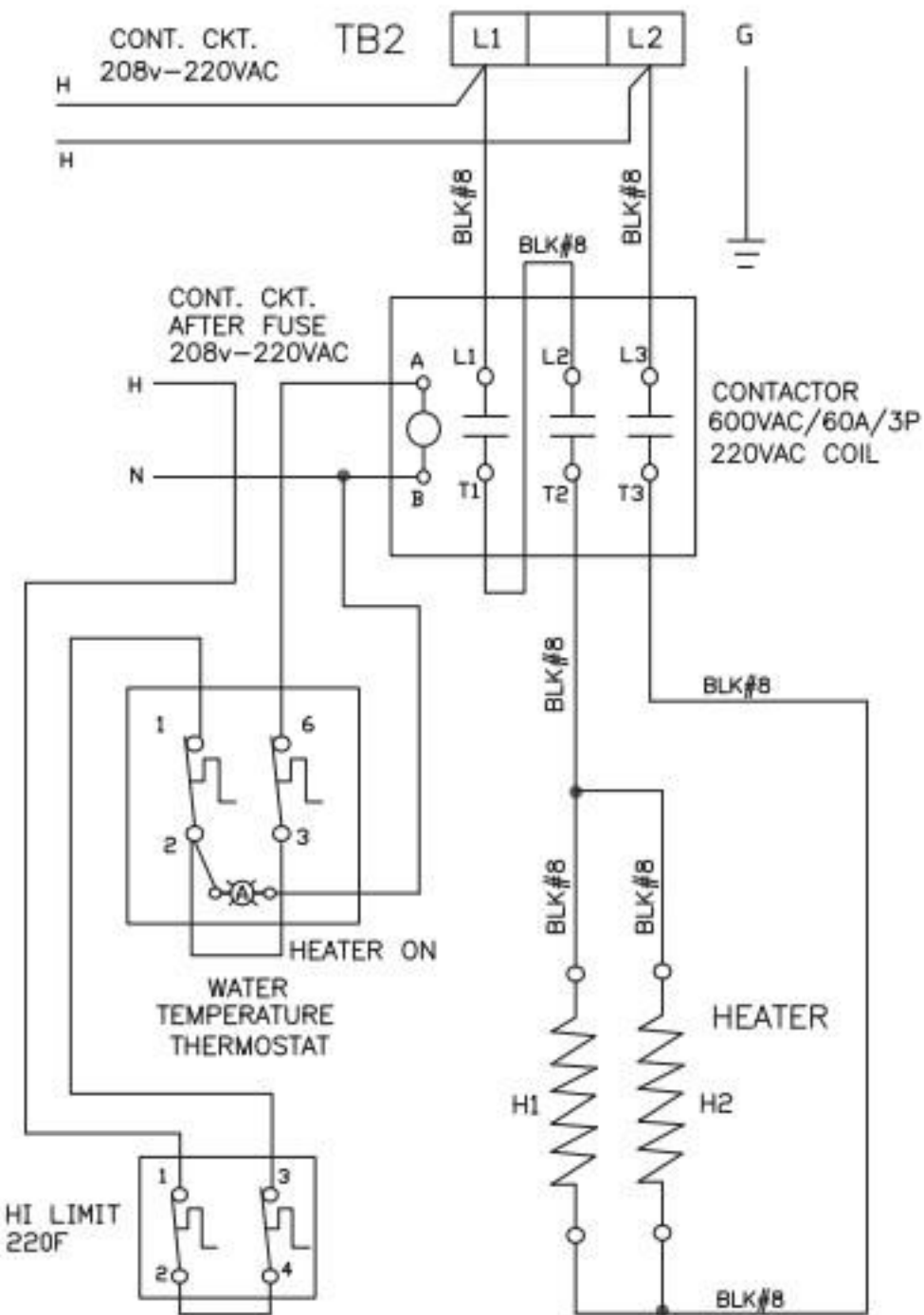
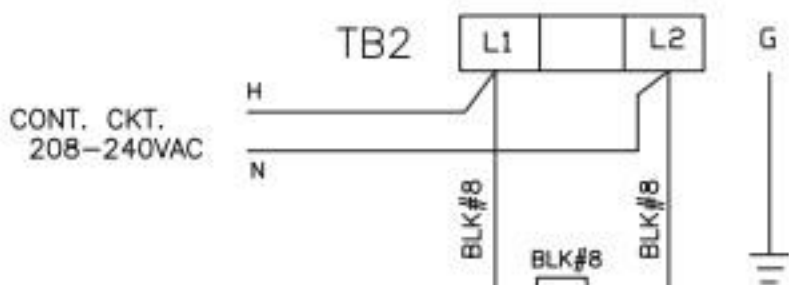


Configuration #5
 Heater Circuit
 380-480VAC, 3PHASE
 4W+G





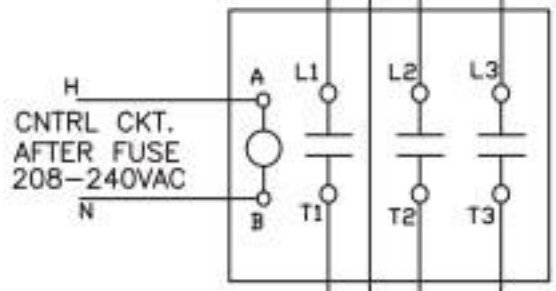
Configuration #11
Heater Circuit
Single Phase 2W+G



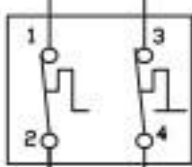
CONT. CKT.
208-240VAC

CNTRL CKT.
AFTER FUSE
208-240VAC

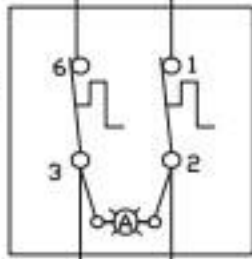
CONTACTOR
600VAC/60A/3P
208V-240VAC COIL



HI LIMIT
220F



WATER
TEMPERATURE
THERMOSTAT



HEATER ON

HEATER

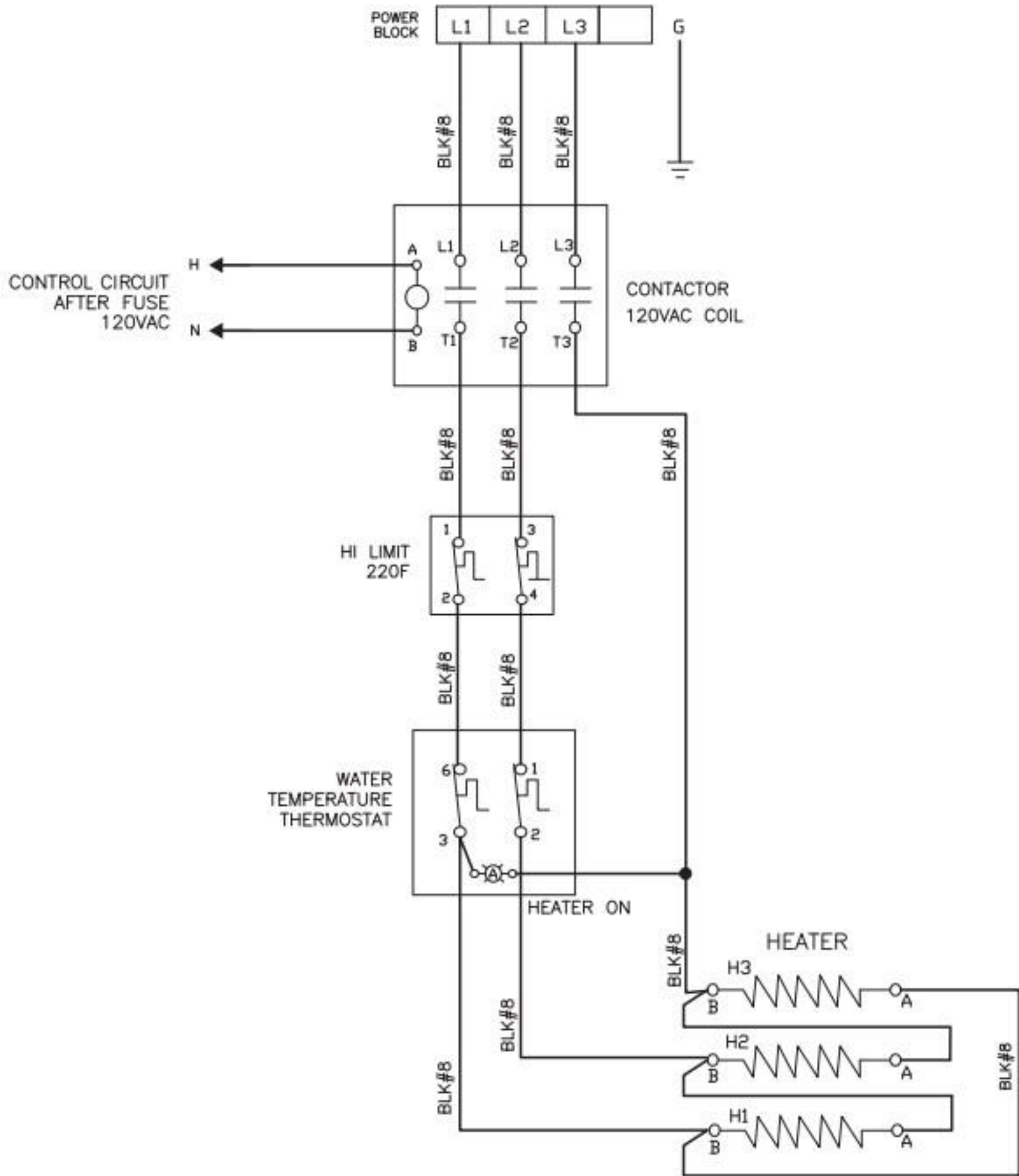
H2



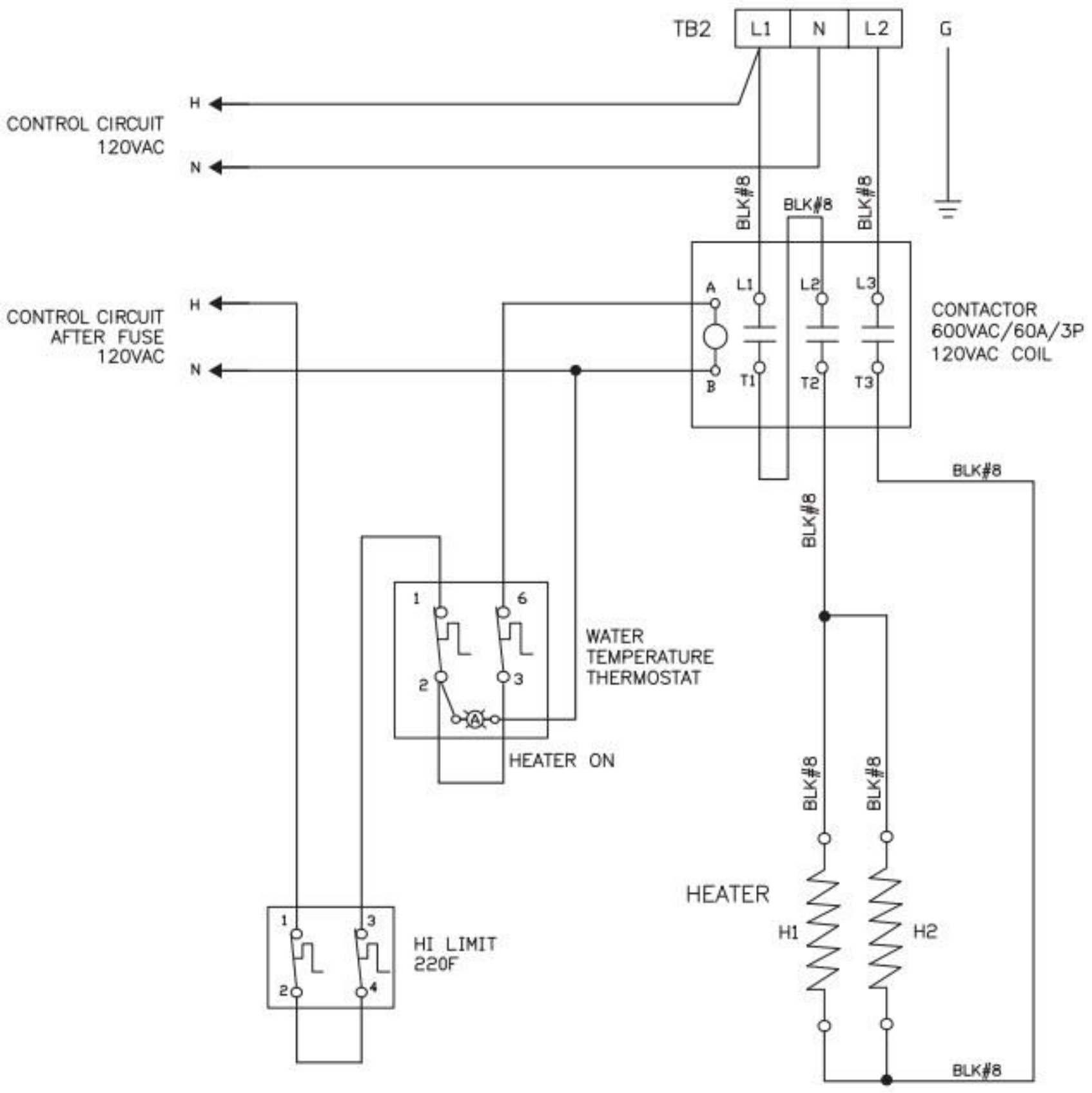
VOLTAGE:	SEE BOM
WATTAGE:	SEE BOM

TITLE: LADD

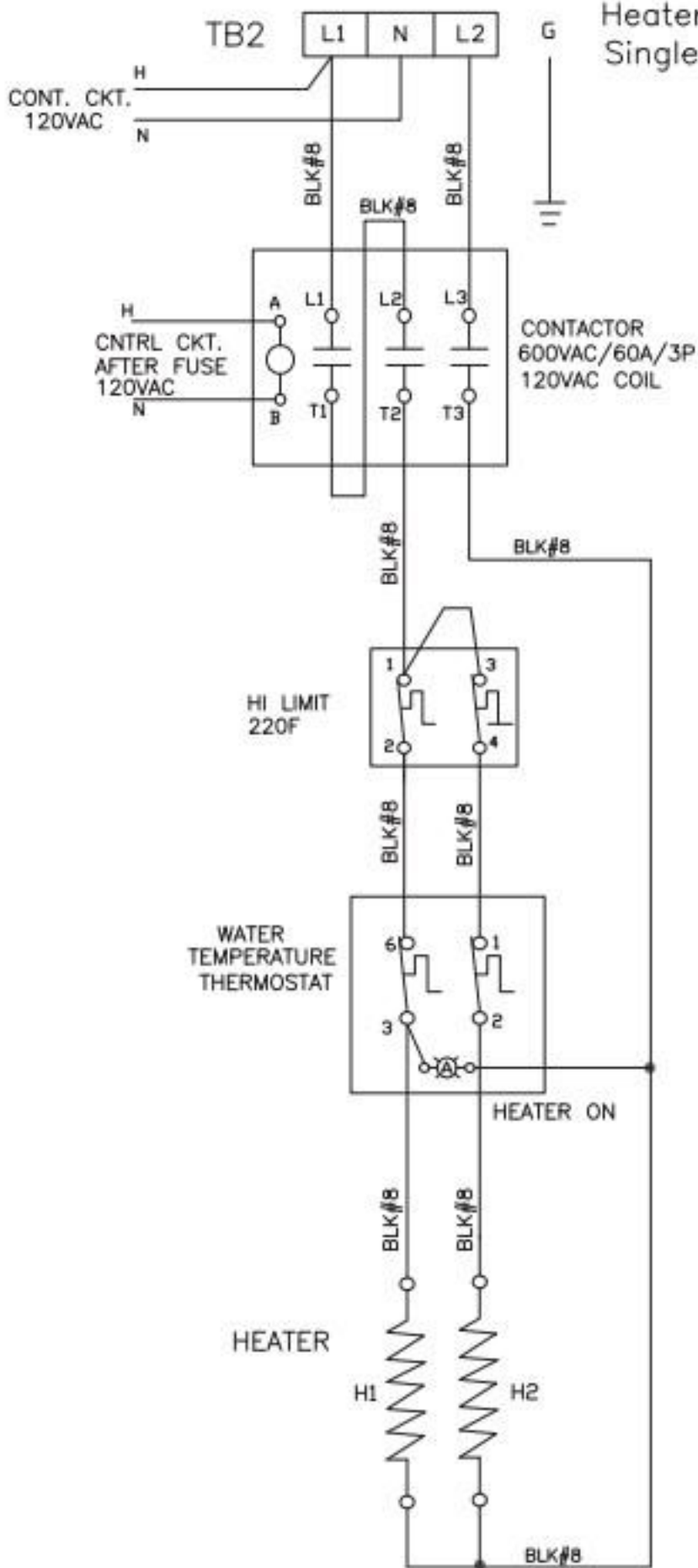
Configuration #12
Heater Circuit
3PHASE 3W+G
With 120VAC POWER CORD CNTRL CIRCUIT



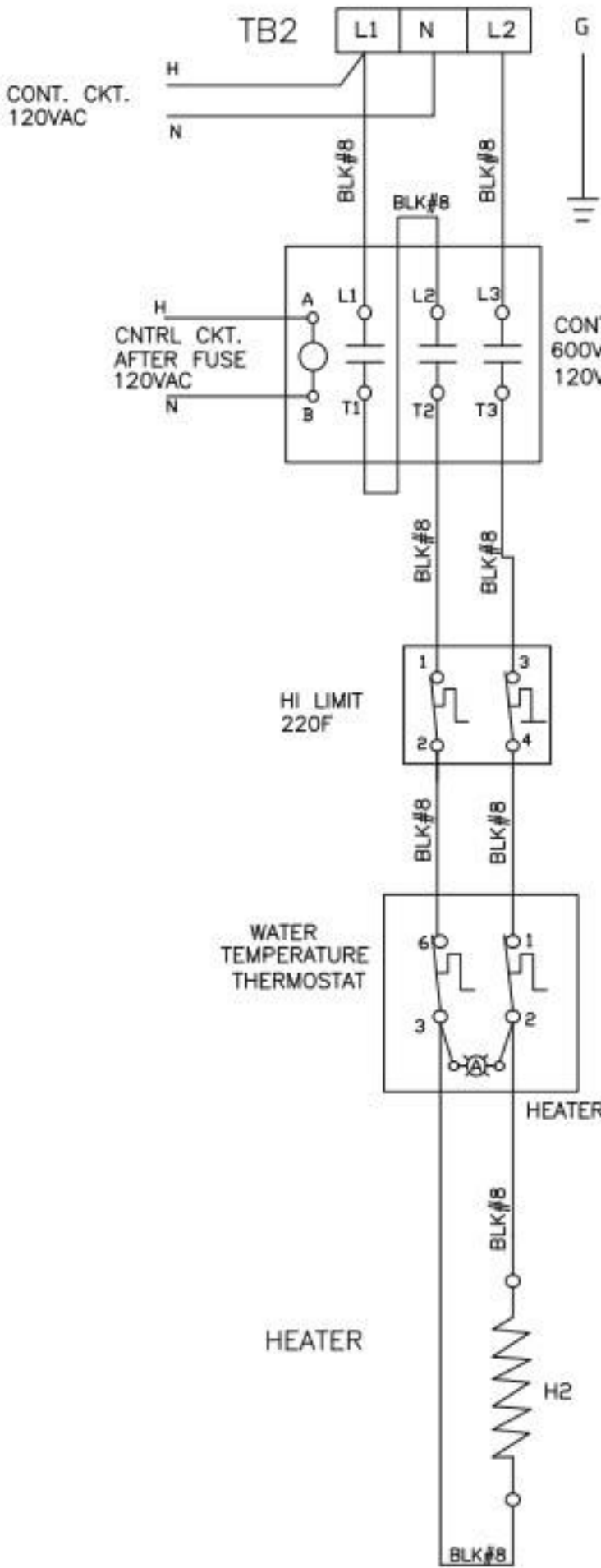
Configuration #3
Heater Circuit
Single Phase 3W+G



Configuration #1
Heater Circuit
Single Phase 3W+G



Configuration #10
 Heater Circuit
 Single Phase 3W+G



VOLTAGE: SEE BOM

WATTAGE: SEE BOM

TITLE: L.A.D.

