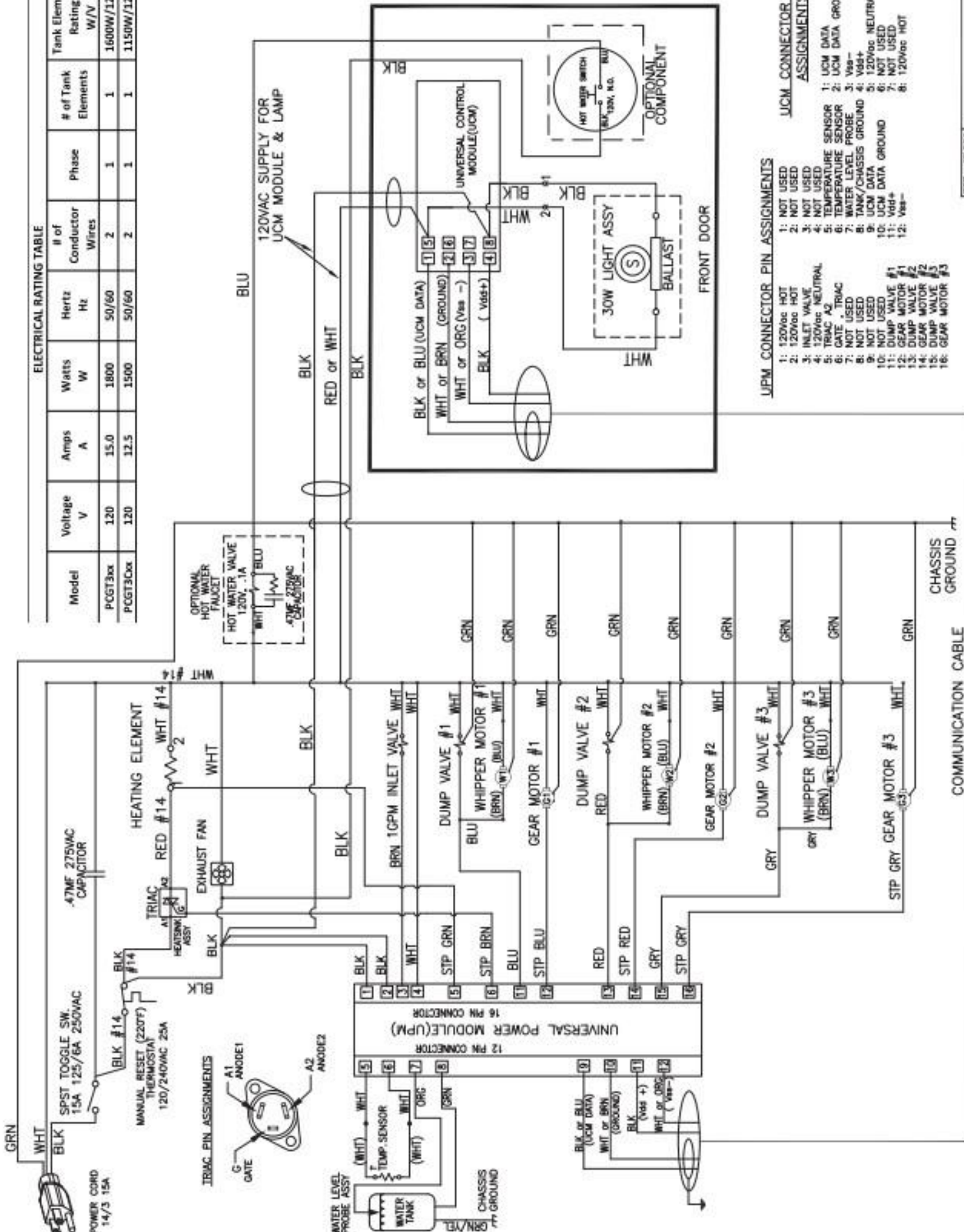


ELECTRICAL RATING TABLE

Model	Voltage V	Amps A	Watts W	Hertz Hz	# of Conductor Wires	Phase	# of Tank Elements	Tank Element Rating W/V
PCGT3xx	120	15.0	1800	50/60	2	1	1	1600W/120V
PCGT3Cxx	120	12.5	1500	50/60	2	1	1	1150W/120V

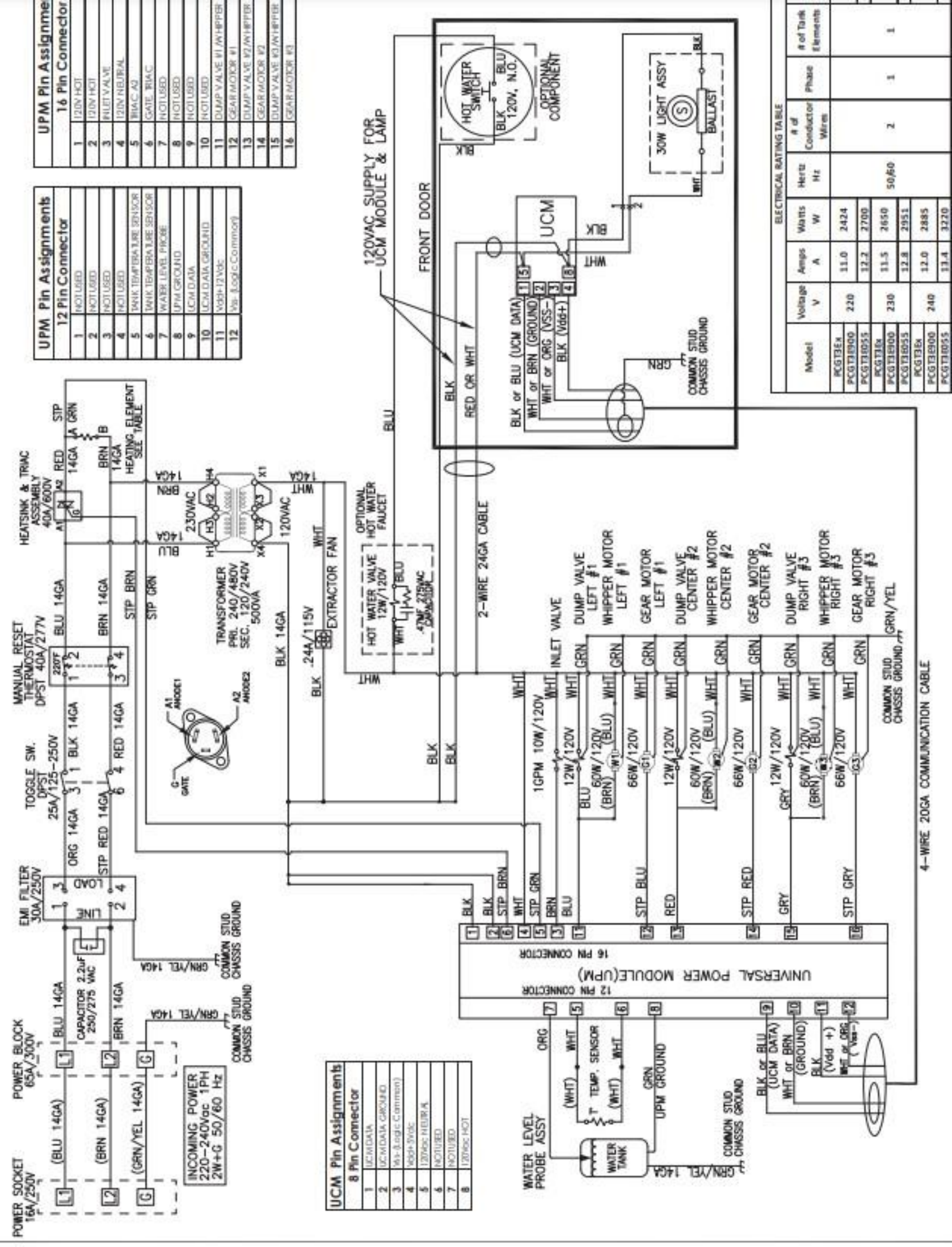


UPM CONNECTOR PIN ASSIGNMENTS

- 1: 120VAC HOT
- 2: 120VAC HOT
- 3: INLET VALVE
- 4: 120VAC NEUTRAL
- 5: TRIAC A2
- 6: GATE TRIAC
- 7: NOT USED
- 8: TANK/CHASSIS GROUND
- 9: NOT USED
- 10: NOT USED
- 11: DUMP VALVE #1
- 12: GEAR MOTOR #1
- 13: DUMP VALVE #2
- 14: GEAR MOTOR #2
- 15: DUMP VALVE #3
- 16: GEAR MOTOR #3

UCM CONNECTOR PIN ASSIGNMENTS

- 1: NOT USED
- 2: NOT USED
- 3: NOT USED
- 4: NOT USED
- 5: TEMPERATURE SENSOR
- 6: TEMPERATURE SENSOR
- 7: WATER LEVEL PROBE
- 8: TANK/CHASSIS GROUND
- 9: V88+
- 10: UCM DATA
- 11: UCM DATA
- 12: UCM DATA
- 13: V88+
- 14: V88+
- 15: 120VAC NEUTRAL
- 16: 120VAC HOT

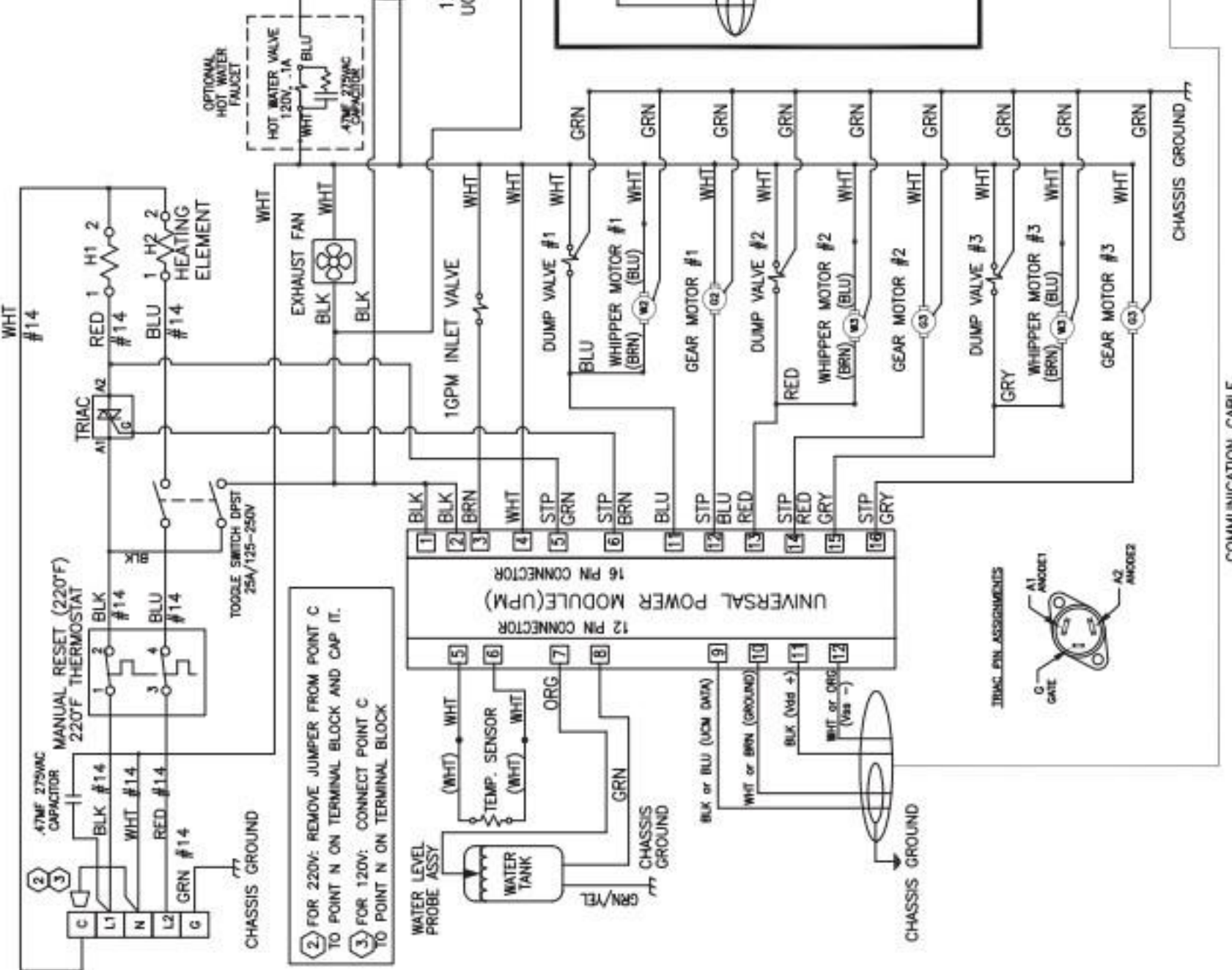


ELECTRICAL RATING TABLE

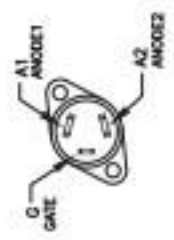
Model	Voltage V	Amperes A	Watts W	Hz	# of Conductor Wires	Phase
P00T30VAC	120	15.0	1800	50/60	2	1
	120/0.20	14.5	800	50/60	3	
	120/0.20	15.0	1800	50/60	2	1
P00T30VDC	120/0.40	15.0	3600	50/60	3	
	120	12.5	1500	50/60	2	1
	120/0.20	10.9	2400	50/60	3	
P00T30VDC	120/0.20	12.5	1500	50/60	2	1
	120/0.40	12.0	2880	50/60	3	1

- UCM CONNECTOR PIN ASSIGNMENTS
- 1: UCM DATA
 - 2: UCM DATA GROUND
 - 3: Vss-
 - 4: Vss+
 - 5: 120Vac NEUTRAL
 - 6: NOT USED
 - 7: NOT USED
 - 8: 120Vac HOT

- UPM CONNECTOR PIN ASSIGNMENTS
- 1: NOT USED
 - 2: NOT USED
 - 3: NOT USED
 - 4: NOT USED
 - 5: INLET VALVE
 - 6: 120Vac NEUTRAL
 - 7: TRAC A2
 - 8: TEMPERATURE SENSOR
 - 9: TEMPERATURE SENSOR
 - 10: GATE - TRAC
 - 11: NOT USED
 - 12: NOT USED
 - 13: WATER LEVEL PROBE
 - 14: TANK/CHASSIS GROUND
 - 15: UCM DATA
 - 16: UCM DATA GROUND
 - 17: Vss-
 - 18: Vss+
 - 19: DUMP VALVE #1
 - 20: GEAR MOTOR #1
 - 21: DUMP VALVE #2
 - 22: GEAR MOTOR #2
 - 23: DUMP VALVE #3
 - 24: GEAR MOTOR #3
 - 25: DUMP VALVE #3
 - 26: GEAR MOTOR #3



- FOR 220V: REMOVE JUMPER FROM POINT C TO POINT N ON TERMINAL BLOCK AND CAP IT.
- FOR 120V: CONNECT POINT C TO POINT N ON TERMINAL BLOCK



COMMUNICATION CABLE