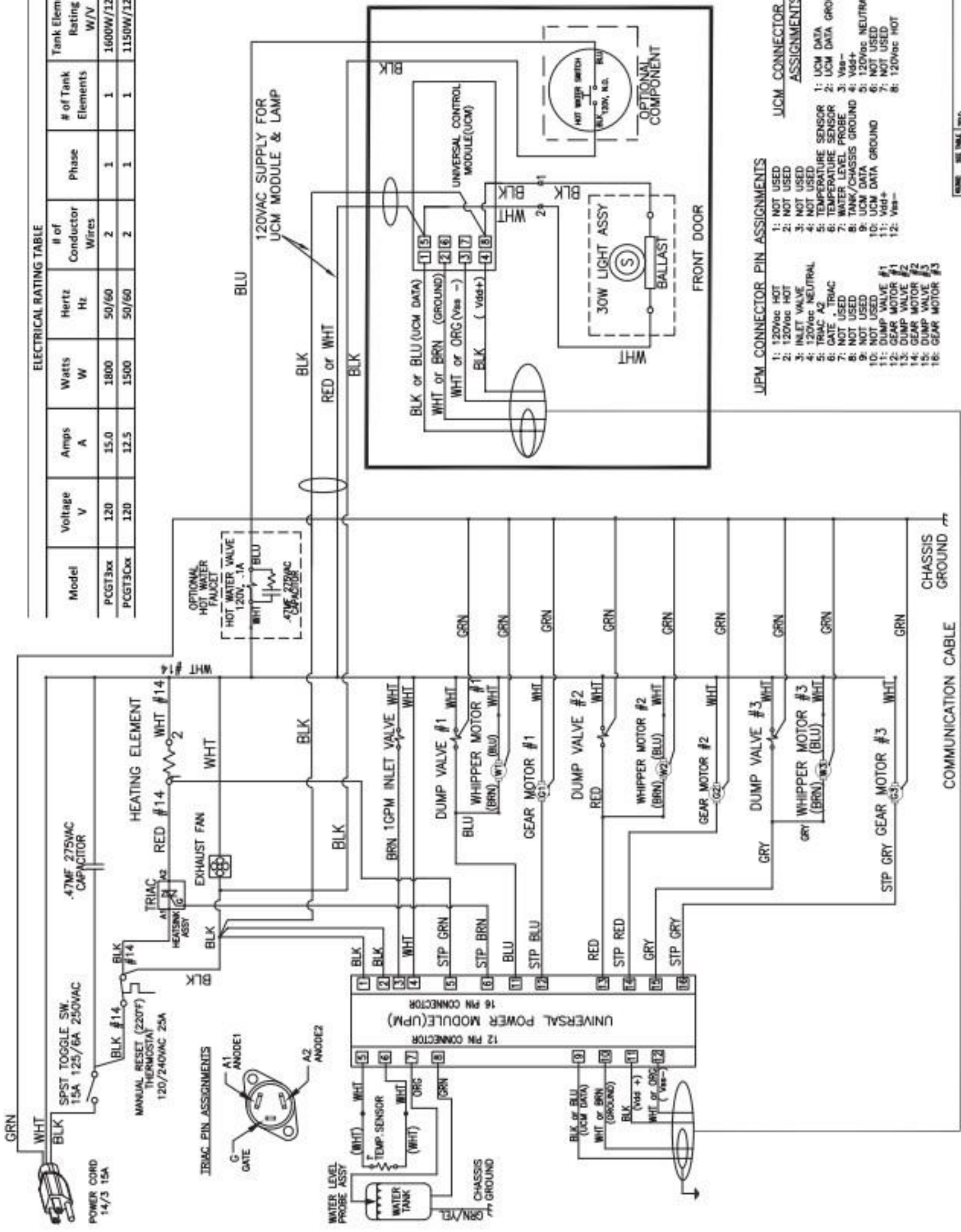


ELECTRICAL RATING TABLE

Model	Voltage V	Amps A	Watts W	Hertz Hz	# of Conductor Wires	Phase	# of Tank Elements	Tank Element Rating W/V
PCGT3xx	120	15.0	1800	50/60	2	1	1	1600W/120V
PCGT30x	120	12.5	1500	50/60	2	1	1	1150W/120V



UPM CONNECTOR PIN ASSIGNMENTS

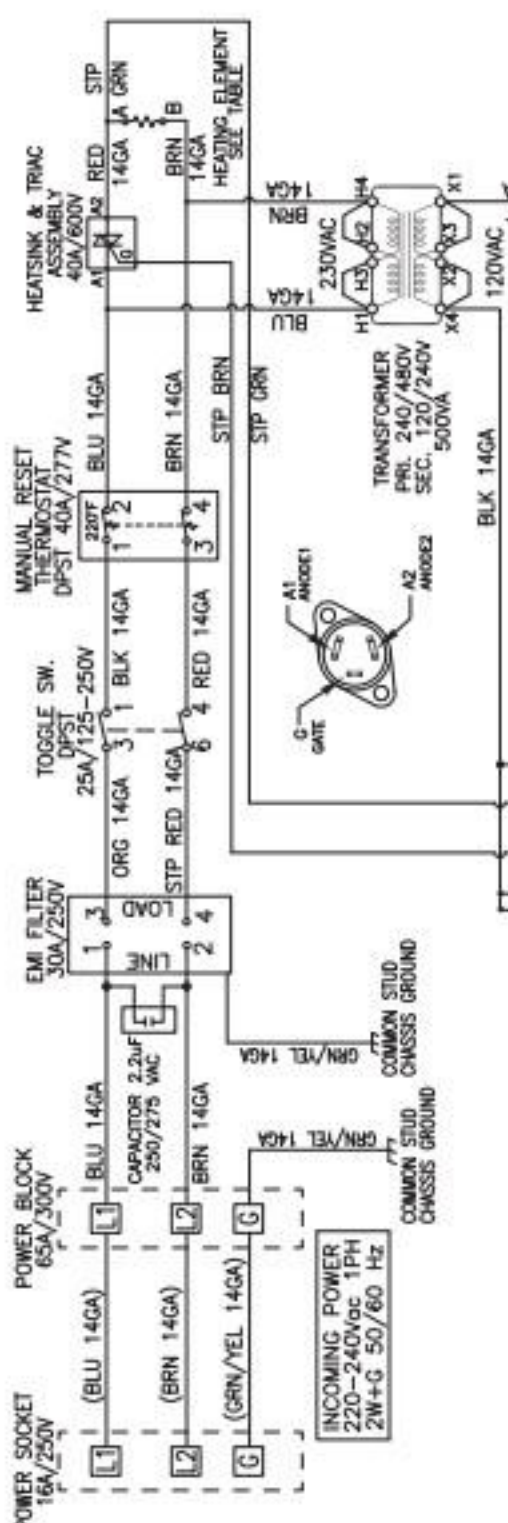
- 1: NOT USED
- 2: NOT USED
- 3: INLET VALVE
- 4: 120VAC NEUTRAL
- 5: TRIAC A2
- 6: TEMPERATURE SENSOR
- 7: GATE - TRIAC
- 8: NOT USED
- 9: TANK/CHASSIS GROUND
- 10: NOT USED
- 11: DUMP VALVE #1
- 12: GEAR MOTOR #1
- 13: DUMP VALVE #2
- 14: GEAR MOTOR #2
- 15: DUMP VALVE #3
- 16: GEAR MOTOR #3

UCM CONNECTOR PIN ASSIGNMENTS

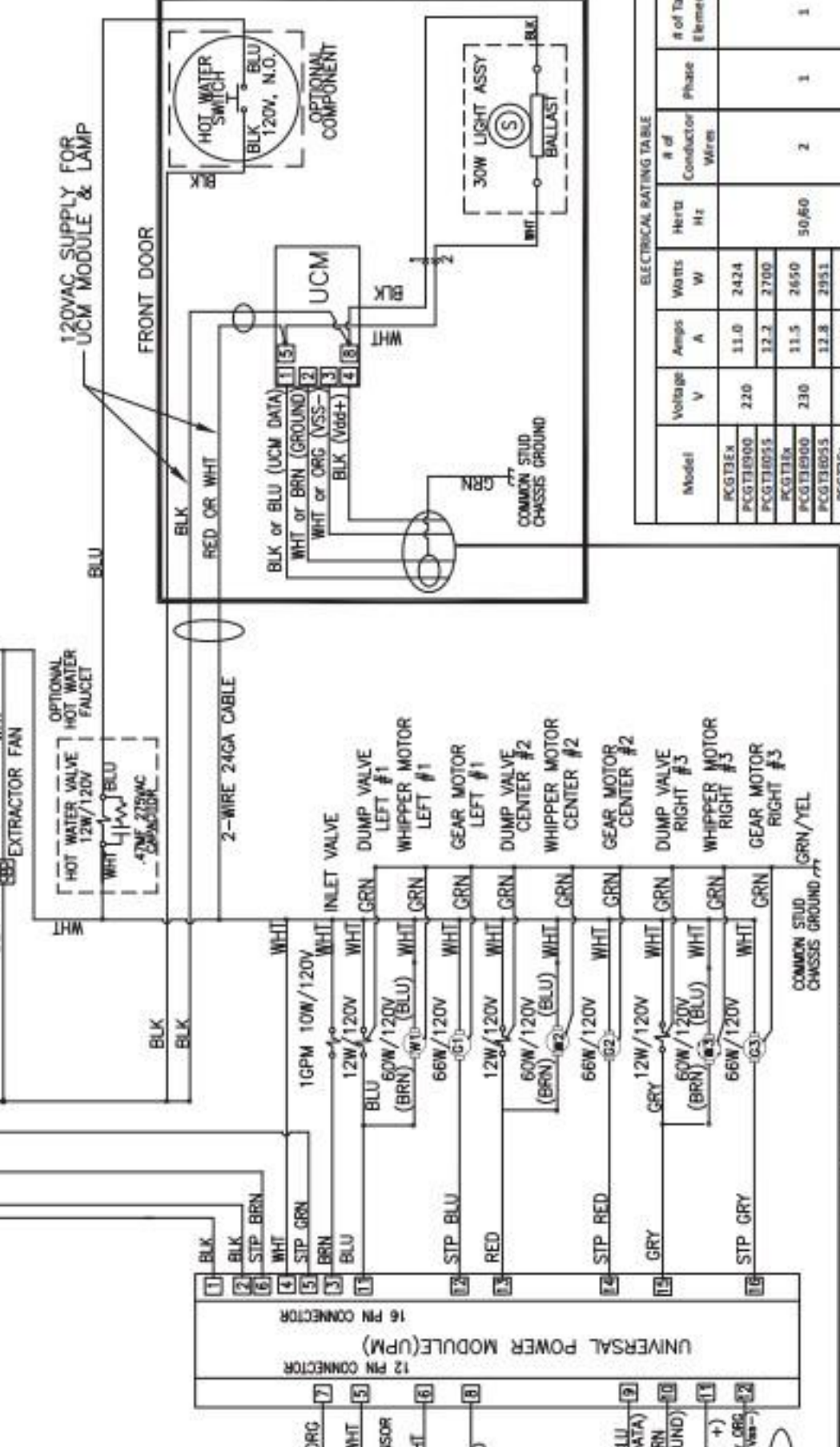
- 1: UCM DATA
- 2: UCM DATA GROUND
- 3: Vss-
- 4: Vss+
- 5: 120VAC NEUTRAL
- 6: NOT USED
- 7: NOT USED
- 8: 120VAC HOT

UPM Pin Assignments	
1	NOT USED
2	NOT USED
3	NOT USED
4	NOT USED
5	DAWK TEMPERA LINE SENSOR
6	TANK TEMPERA LINE SENSOR
7	WATER LEVEL PROBE
8	UPM GROUND
9	UCM DATA
10	UCM DATA GROUND
11	VDDH 12VDC
12	Vcc - Logic Common

UPM Pin Assignments	
1	120V HOT
2	120V HOT
3	HEAT VALVE
4	120V HEAT VAL
5	TRAC A2
6	GATE TRAC
7	NOT USED
8	NOT USED
9	NOT USED
10	NOT USED
11	DUMP VALVE #1/W/HTP#1
12	GEAR MOTOR #1
13	DUMP VALVE #2/W/HTP#2
14	GEAR MOTOR #2
15	DUMP VALVE #3/W/HTP#3
16	GEAR MOTOR #3

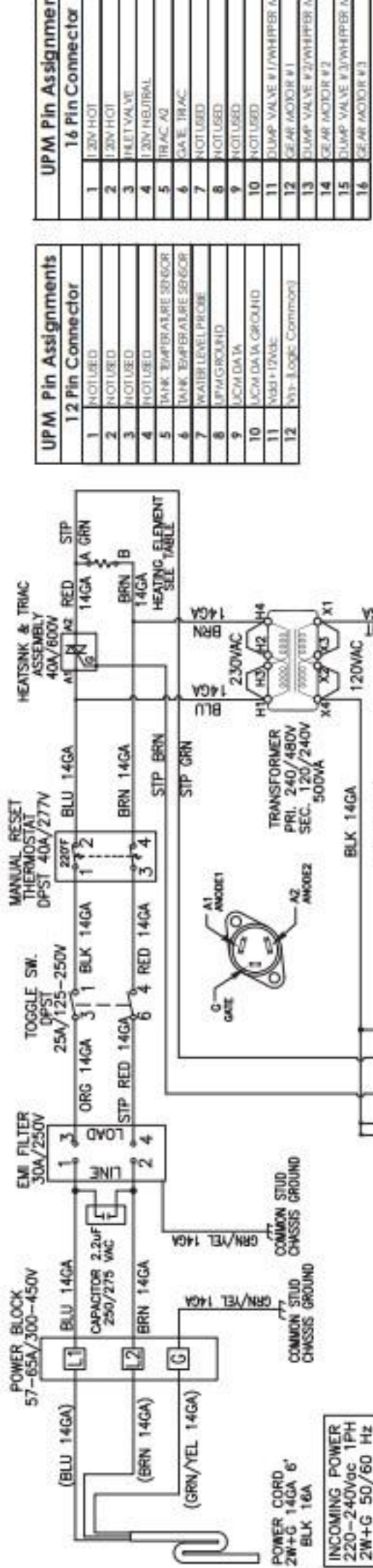


UCM Pin Assignments	
1	UCM DATA
2	SCM DATA GROUND
3	Vcc - Logic Common
4	500uF 3VDC
5	120VDC HEUR A
6	NOT USED
7	NOT USED
8	120VDC HOT



ELECTRICAL RATING TABLE						
Model	Voltage V	Amps A	Watts W	Hertz Hz	# of Conductor Wires	# of Tank Elements
PCGT3E4	220	11.0	2424		2	1
PCGT3E900	220	12.2	2700		2	1
PCGT3E955	230	11.5	2650	50/60	2	1
PCGT3E900	230	12.8	2951		2	1
PCGT3E955	240	12.0	2885		2	1
PCGT3E4	240	13.4	3220		2	1
PCGT3E900						
PCGT3E955						

4-WIRE 20GA COMMUNICATION CABLE



POWER CORD
2W+G 14GA 6'
BLK 16A

INCOMING POWER
220-240VAC 1PH
2W+G 50/60 Hz

UCM Pin Assignments

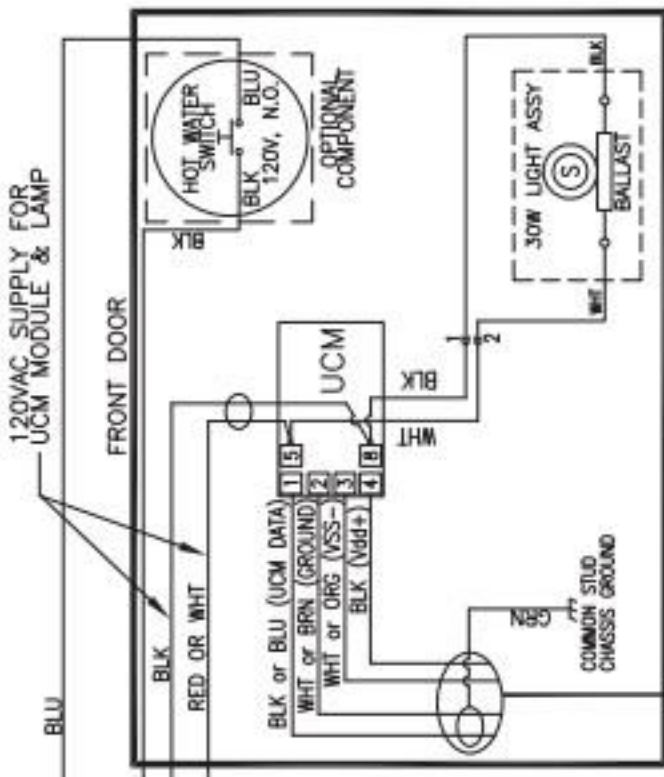
8 Pin Connector	
1	UCM DATA
2	UCM DATA GROUND
3	Wht-Logic Common
4	Wht+5Vdc
5	120VAC NEUTRAL
6	NOT USED
7	NOT USED
8	120VAC HOT

UPM Pin Assignments

12 Pin Connector	
1	NOT USED
2	NOT USED
3	NOT USED
4	NOT USED
5	TANK TEMPERATURE SENSOR
6	TANK TEMPERATURE SENSOR
7	WATER LEVEL PROBE
8	UPM GROUND
9	UCM DATA
10	UCM DATA GROUND
11	Vdd+12Vdc
12	Vht-Logic Common

UPM Pin Assignments

16 Pin Connector	
1	120V HOT
2	120V HOT
3	HEAT VALVE
4	120V NEUTRAL
5	TRAC A2
6	SAE TRAC
7	NOT USED
8	NOT USED
9	NOT USED
10	NOT USED
11	DUMP VALVE #1/W/WHIPPER A
12	GEAR MOTOR #1
13	DUMP VALVE #2/W/WHIPPER A
14	GEAR MOTOR #2
15	DUMP VALVE #3/W/WHIPPER A
16	GEAR MOTOR #3



ELECTRICAL RATING TABLE

Model	Voltage V	Amps A	Watts W	Hz	# of Conductor Wires	Phase	# of Tank Elements
PCGT3E4	220	17.0	3700				
PCGT3E900	220	12.2	2700				
PCGT3E55	230	17.6	4044	50/60	2	1	1
PCGT3E55		12.8	2951				
PCGT3E4	240	18.3	4400				
PCGT3E55		13.4	3220				

4-WIRE 20GA COMMUNICATION CABLE

