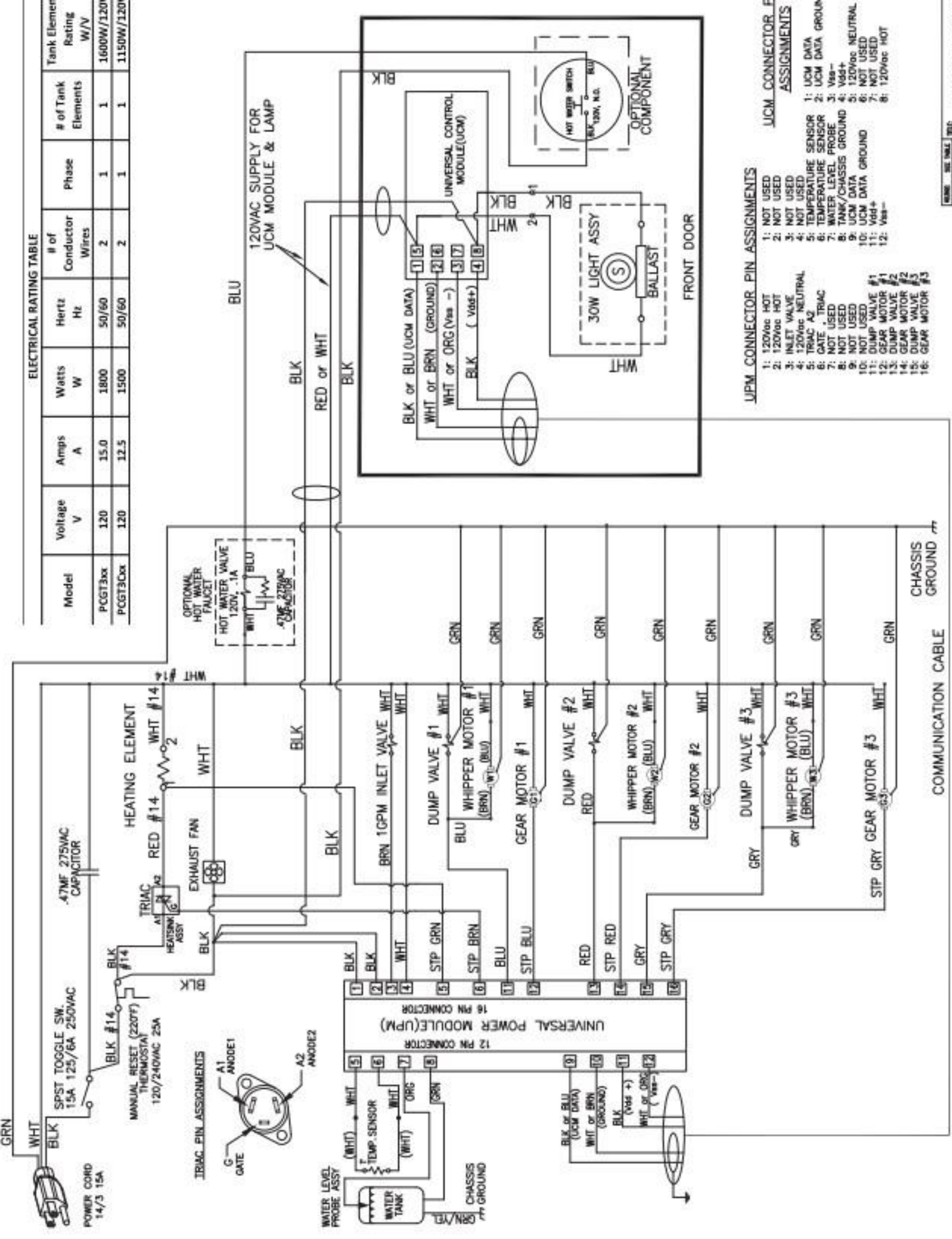


ELECTRICAL RATING TABLE

Model	Voltage V	Amps A	Watts W	Hertz Hz	# of Conductor Wires	Phase	# of Tank Elements	Tank Element Rating W/V
PCGT3xx	120	15.0	1800	50/60	2	1	1	1600W/120V
PCGT3Oxx	120	12.5	1500	50/60	2	1	1	1150W/120V



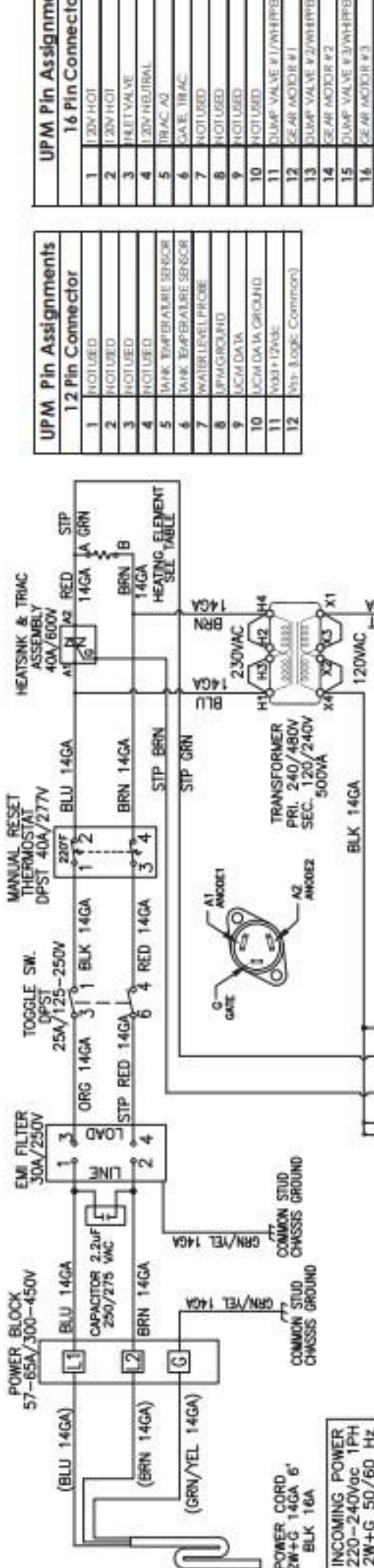
UPM CONNECTOR PIN ASSIGNMENTS

- 1: 120Vac HOT
- 2: 120Vac HOT
- 3: INLET VALVE
- 4: 120Vac NEUTRAL
- 5: TRIAC A2
- 6: GATE, TRIAC
- 7: NOT USED
- 8: NOT USED
- 9: NOT USED
- 10: NOT USED
- 11: Vdd+
- 12: Vss-

UCM CONNECTOR PIN ASSIGNMENTS

- 1: UCM DATA
- 2: UCM DATA GROUND
- 3: Vss-
- 4: Vdd+
- 5: 120Vac NEUTRAL
- 6: NOT USED
- 7: NOT USED
- 8: 120Vac HOT





**UCM Pin Assignments**

8 Pin Connector	
1	UCM DATA
2	UCM DATA GROUND
3	M+ Logic Common
4	120Vac NEUTRAL
5	NOT USED
6	NOT USED
7	NOT USED
8	120Vac HOT

**UPM Pin Assignments**

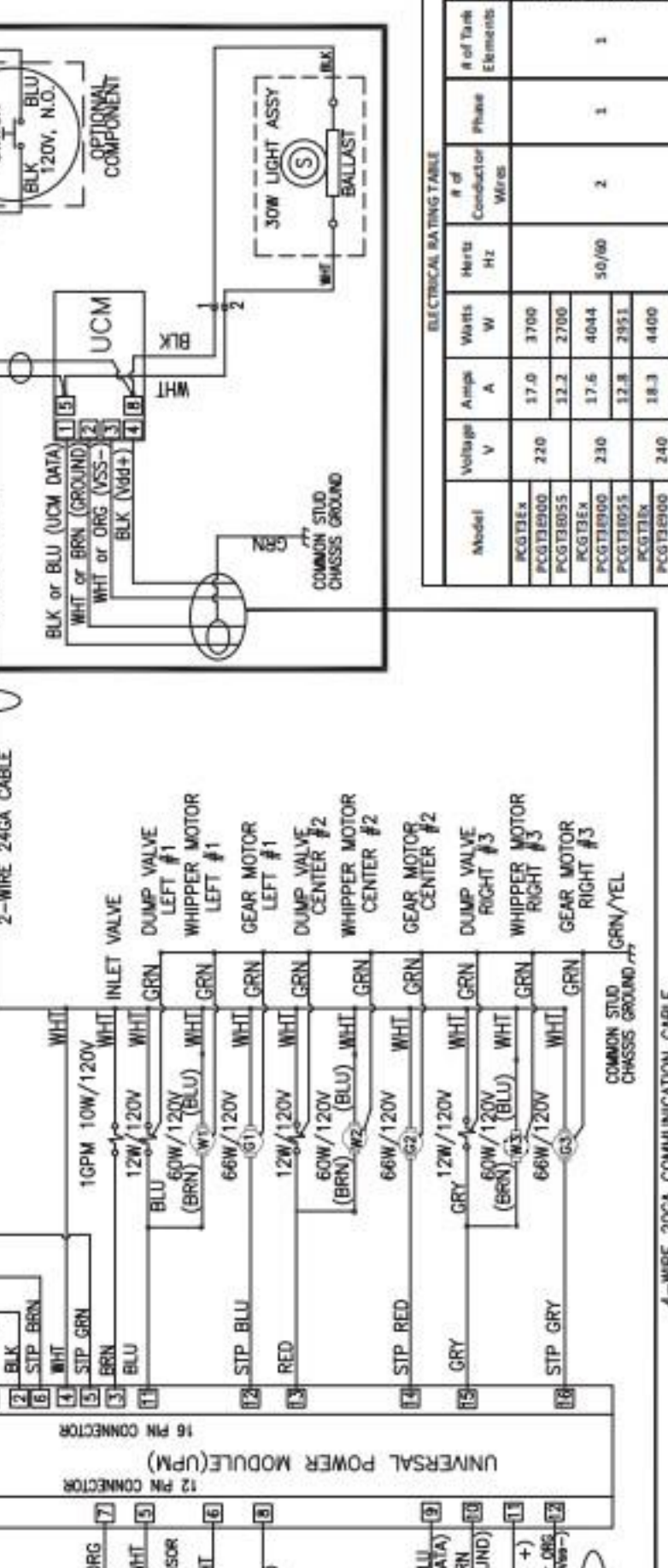
12 Pin Connector	
1	NOT USED
2	NOT USED
3	NOT USED
4	NOT USED
5	TANK TEMPERATURE SENSOR
6	TANK TEMPERATURE SENSOR
7	WATER LEVEL PROBE
8	UPM GROUND
9	UCM DATA
10	UCM DATA GROUND
11	VDD+ (24VDC)
12	M+ Logic Common

**UPM Pin Assignments**

16 Pin Connector	
1	120V HOT
2	120V HOT
3	HEAT VALVE
4	120V NEUTRAL
5	TRAC A2
6	SAVE TRAC
7	NOT USED
8	NOT USED
9	NOT USED
10	NOT USED
11	DUMP VALVE #1/WHIPPER #1
12	GEAR MOTOR #1
13	DUMP VALVE #2/WHIPPER #2
14	GEAR MOTOR #2
15	DUMP VALVE #3/WHIPPER #3
16	GEAR MOTOR #3

**ELECTRICAL RATING TABLE**

Model	Voltage V	Amps A	Watts W	Hertz Hz	# of Conductor Wires	Phase	# of Tank Elements
PCGT3EX	220	17.0	3700				
PCGT3E900	220	32.2	2700				
PCGT3E955	230	17.6	4044	50/60	2	1	1
PCGT3EX	240	12.8	2951				
PCGT3E900	240	18.3	4400				
PCGT3E955	240	13.4	3220				



4-WIRE 20GA COMMUNICATION CABLE

