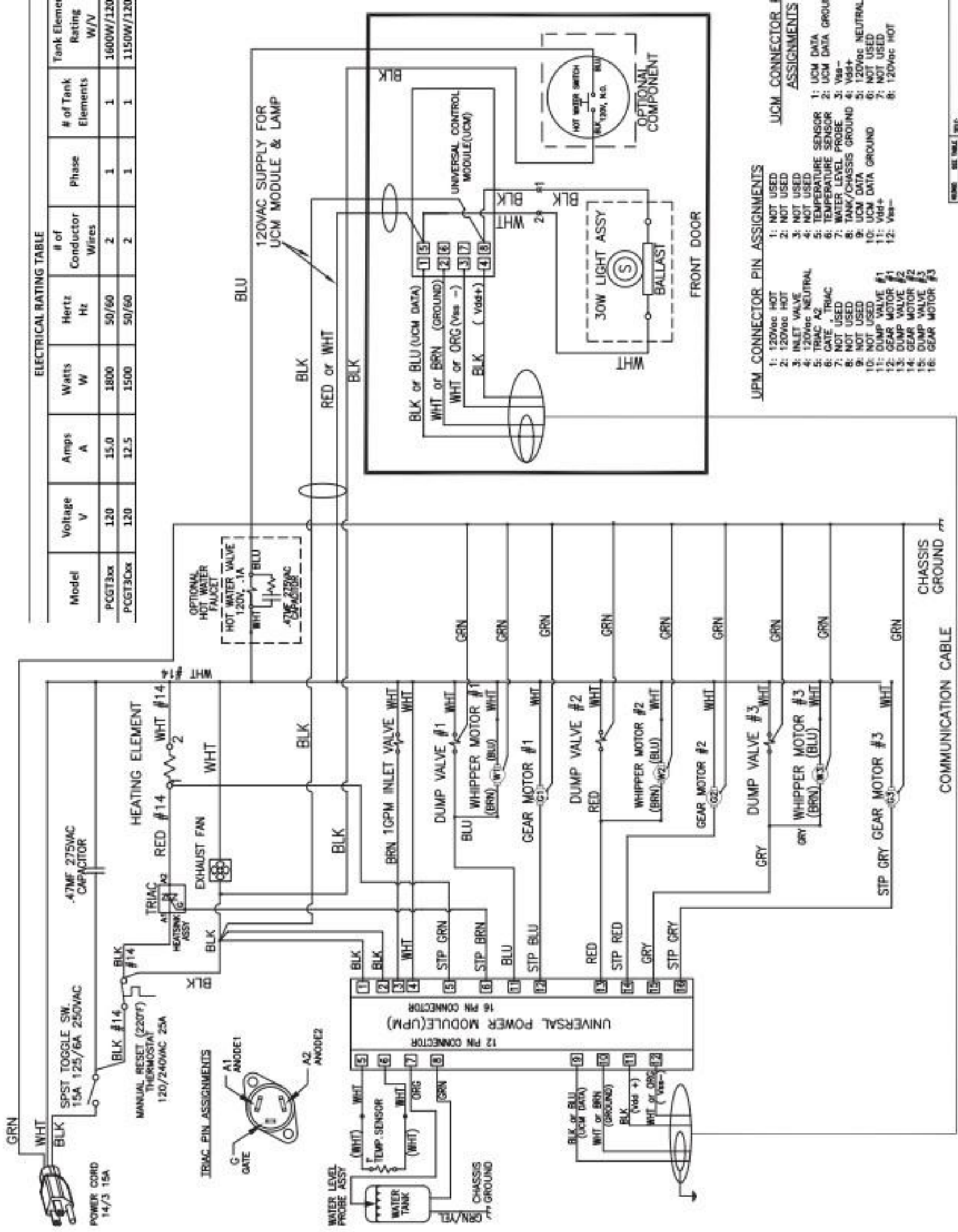


ELECTRICAL RATING TABLE

Model	Voltage V	Amps A	Watts W	Hertz Hz	# of Conductor Wires	Phase	# of Tank Elements	Tank Element Rating W/V
PCGT30x	120	15.0	1800	50/60	2	1	1	1600W/120V
PCGT30cx	120	12.5	1500	50/60	2	1	1	1150W/120V



UPM CONNECTOR PIN ASSIGNMENTS

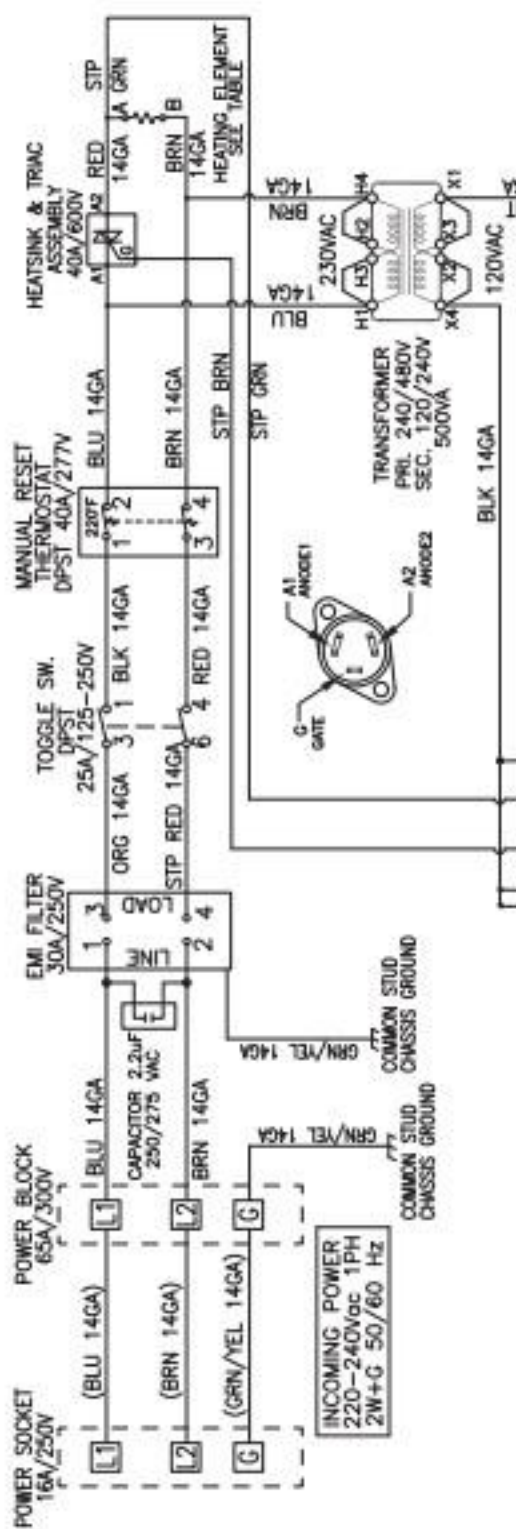
- 1: 120vac HOT
- 2: 120vac HOT
- 3: INLET VALVE
- 4: 120vac NEUTRAL
- 5: TRIAC A2
- 6: GATE TRIAC
- 7: NOT USED
- 8: NOT USED
- 9: NOT USED
- 10: NOT USED
- 11: DUMP VALVE #1
- 12: GEAR MOTOR #1
- 13: DUMP VALVE #2
- 14: GEAR MOTOR #2
- 15: DUMP VALVE #3
- 16: GEAR MOTOR #3

UCM CONNECTOR PIN ASSIGNMENTS

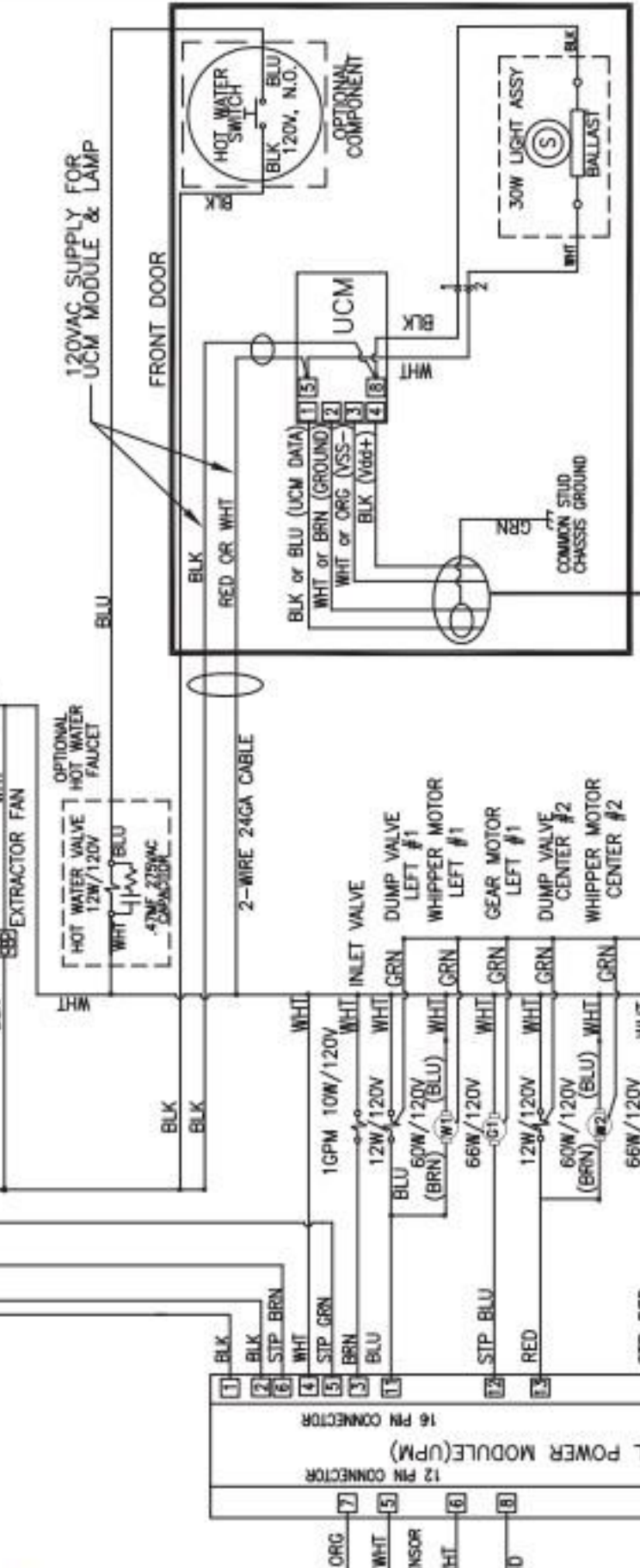
- 1: UCM DATA GROUND
- 2: UCM DATA GROUND
- 3: V88+
- 4: V88+
- 5: 120vac NEUTRAL
- 6: NOT USED
- 7: NOT USED
- 8: 120vac HOT

UPM Pin Assignments	
1	120V HOT
2	120V HOT
3	INLET VALVE
4	120V NEUTRAL
5	BLK-A2
6	GATE, TRAC
7	NOT USED
8	NOT USED
9	NOT USED
10	NOT USED
11	DUMP VALVE #1/W/1P/1P/1P
12	GEAR MOTOR #1
13	DUMP VALVE #2/W/1P/1P/1P
14	GEAR MOTOR #2
15	DUMP VALVE #3/W/1P/1P/1P
16	GEAR MOTOR #3

UPM Pin Assignments	
1	NOT USED
2	NOT USED
3	NOT USED
4	NOT USED
5	WTR TEMPERATURE SENSOR
6	WTR TEMPERATURE SENSOR
7	WATER LEVEL PROBE
8	UPM GROUND
9	UCM DATA
10	UCM DATA GROUND
11	VDD+12VDC
12	Vss - Logic Common

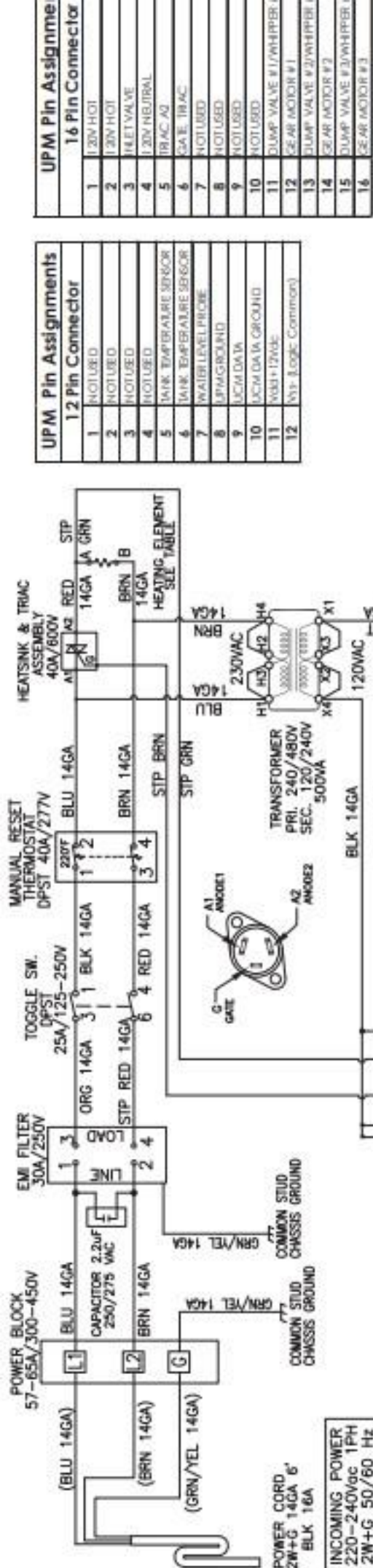


UCM Pin Assignments	
1	UCM DATA
2	UCM DATA GROUND
3	Vss - Logic Common
4	50W/120V
5	120VDC NEUTRAL
6	NOT USED
7	NOT USED
8	120VDC HOT



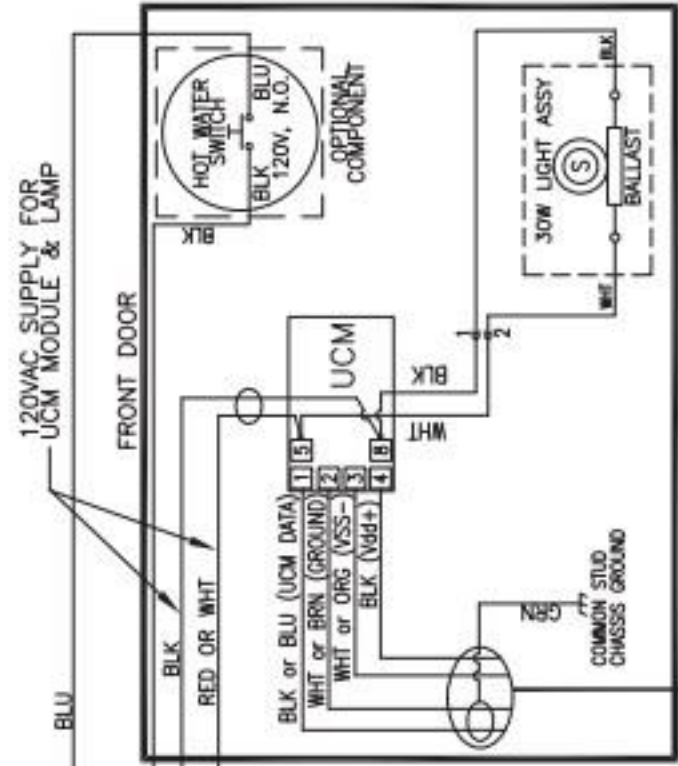
ELECTRICAL RATING TABLE					
Model	Voltage V	Amps A	Watts W	Hertz Hz	# of Conductor Wires
PCGT3EX	220	11.0	2424	50/60	2
PCGT3R900	220	12.2	2700		
PCGT3EX	230	11.5	2650	1	1
PCGT3H900	230	12.8	2951		
PCGT3EX	240	12.0	2885		
PCGT3R955	240	13.4	3210		

4-WIRE 20GA COMMUNICATION CABLE



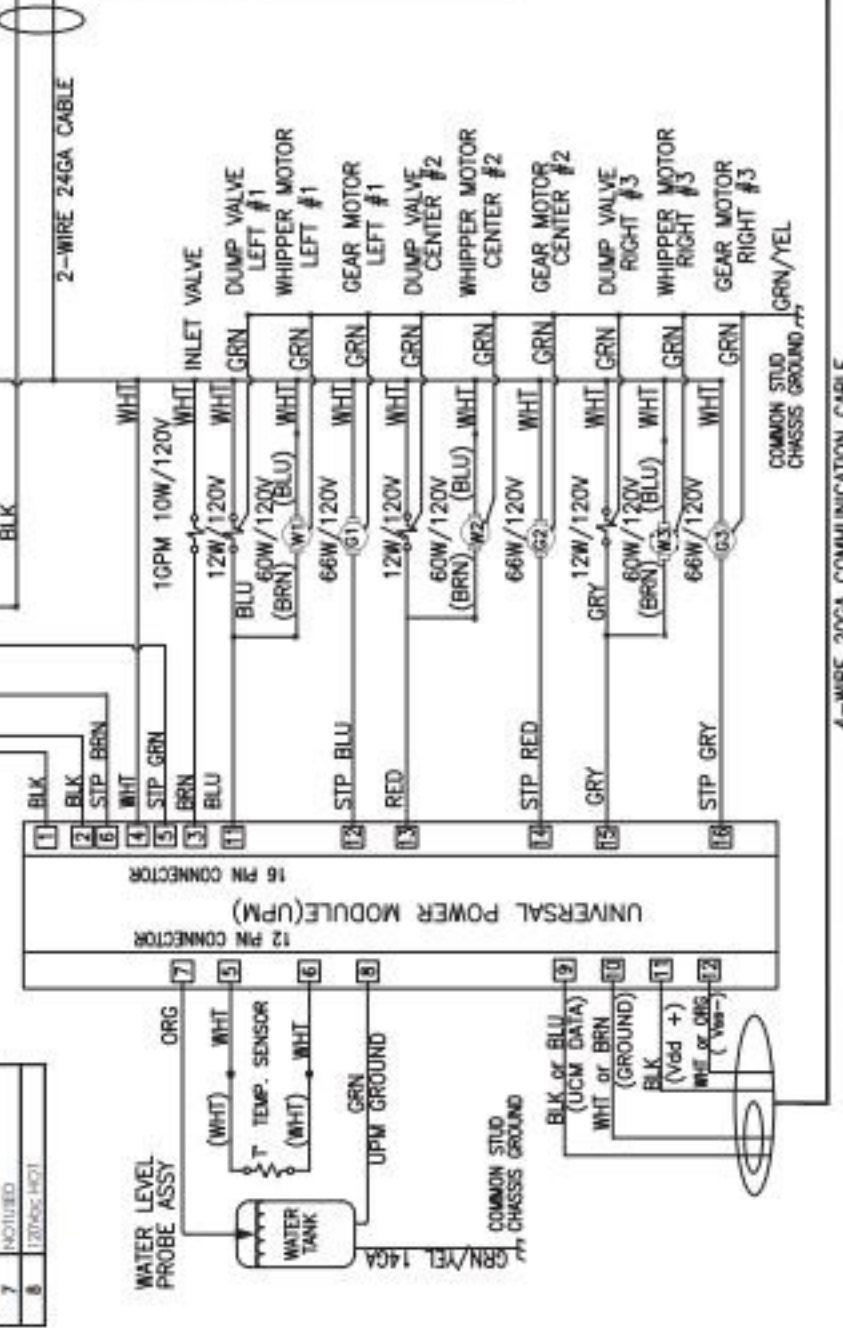
**UCM Pin Assignments**

8 Pin Connector	
1	UCM DATA
2	UCM DATA GROUND
3	W3+12Vdc (Common)
4	W3+12Vdc
5	120Vdc NEUTRAL
6	NOT USED
7	NOT USED
8	120Vdc HOT



**ELECTRICAL RATING TABLE**

Model	Voltage V	Amps A	Watts W	Hertz Hz	# of Conductor Wires	Phase	# of Tank Elements
PCGT3E4	220	17.0	3700				
PCGT3E900	220	12.2	2700				
PCGT3B955	230	17.6	4044	50/60	2	1	1
PCGT3E4	230	12.8	2951				
PCGT3E900	240	18.3	4400				
PCGT3B955	240	13.4	3220				



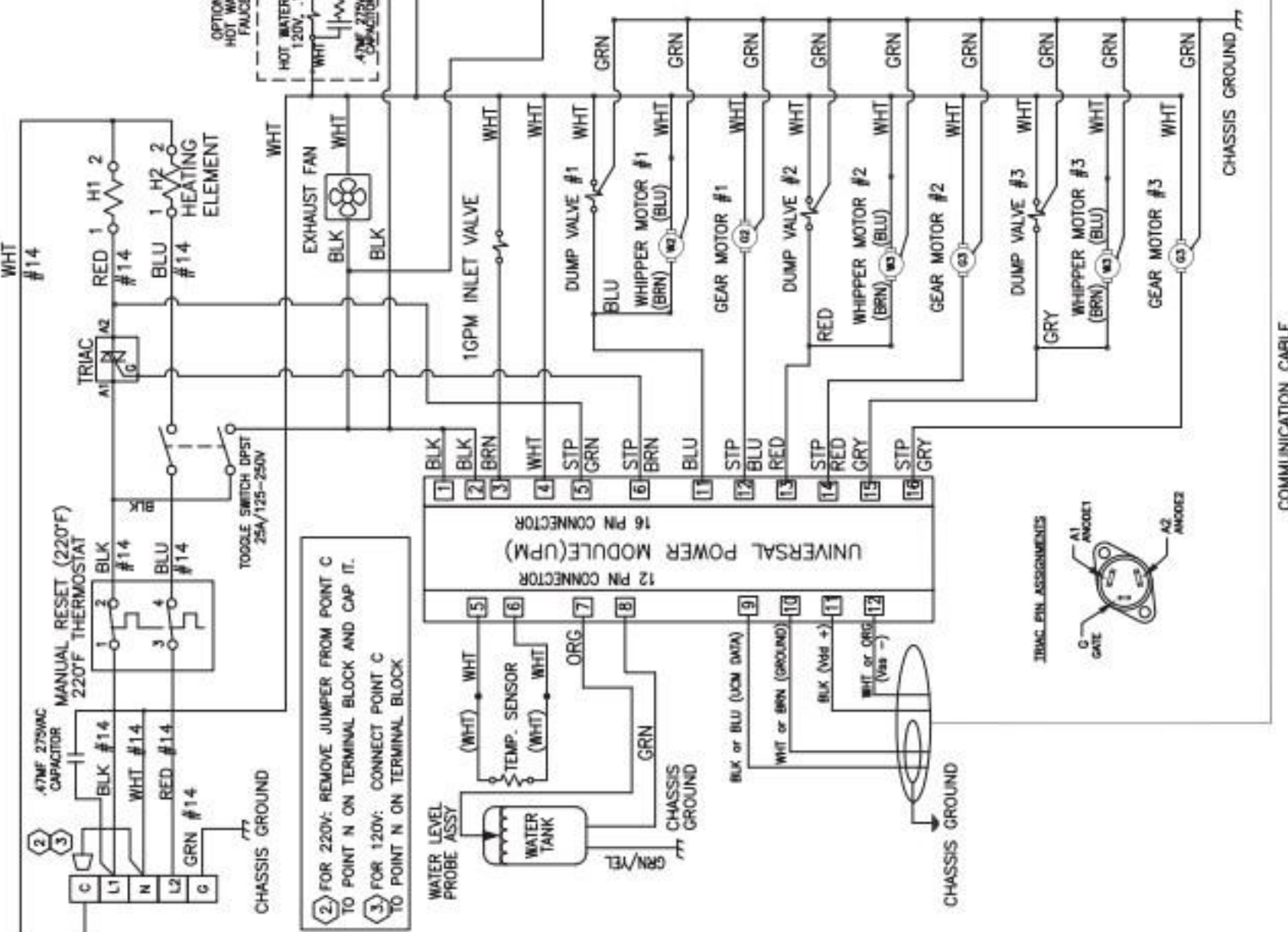
4-WIRE 20GA COMMUNICATION CABLE

ELECTRICAL RATING TABLE

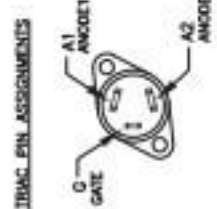
Model	Voltage V	Amperes A	Watts W	Hz	# of Conductor Wires	Phase
PCOT 30Vac	120	15.0	1800	50/60	2	1
	120/230	14.5	3000	50/60	3	1
	120/240	15.0	1800	50/60	2	1
PCOT 30Vdc	120/240	15.0	3050	50/60	3	1
	120	12.5	1500	50/60	2	1
	120/230	10.9	2000	50/60	3	1
	120/240	12.5	1500	50/60	2	1
	120/240	12.0	2850	50/60	3	1

- UCM CONNECTOR PIN ASSIGNMENTS
- 1: UCM DATA
  - 2: UCM DATA GROUND
  - 3: Vcc+
  - 4: Vcc+
  - 5: 120Vac NEUTRAL
  - 6: NOT USED
  - 7: NOT USED
  - 8: 120Vac HOT

- UPM CONNECTOR PIN ASSIGNMENTS
- 1: 120Vac HOT
  - 2: 120Vac HOT
  - 3: INLET VALVE
  - 4: 120Vac NEUTRAL
  - 5: TRAC A2
  - 6: GATE TRIAC
  - 7: NOT USED
  - 8: NOT USED
  - 9: TANK/CHASSIS GROUND
  - 10: NOT USED
  - 11: DUMP VALVE #1
  - 12: GEAR MOTOR #1
  - 13: DUMP VALVE #2
  - 14: GEAR MOTOR #2
  - 15: DUMP VALVE #3
  - 16: GEAR MOTOR #3



2 FOR 220V: REMOVE JUMPER FROM POINT C TO POINT N ON TERMINAL BLOCK AND CAP IT.  
 3 FOR 120V: CONNECT POINT C TO POINT N ON TERMINAL BLOCK



COMMUNICATION CABLE