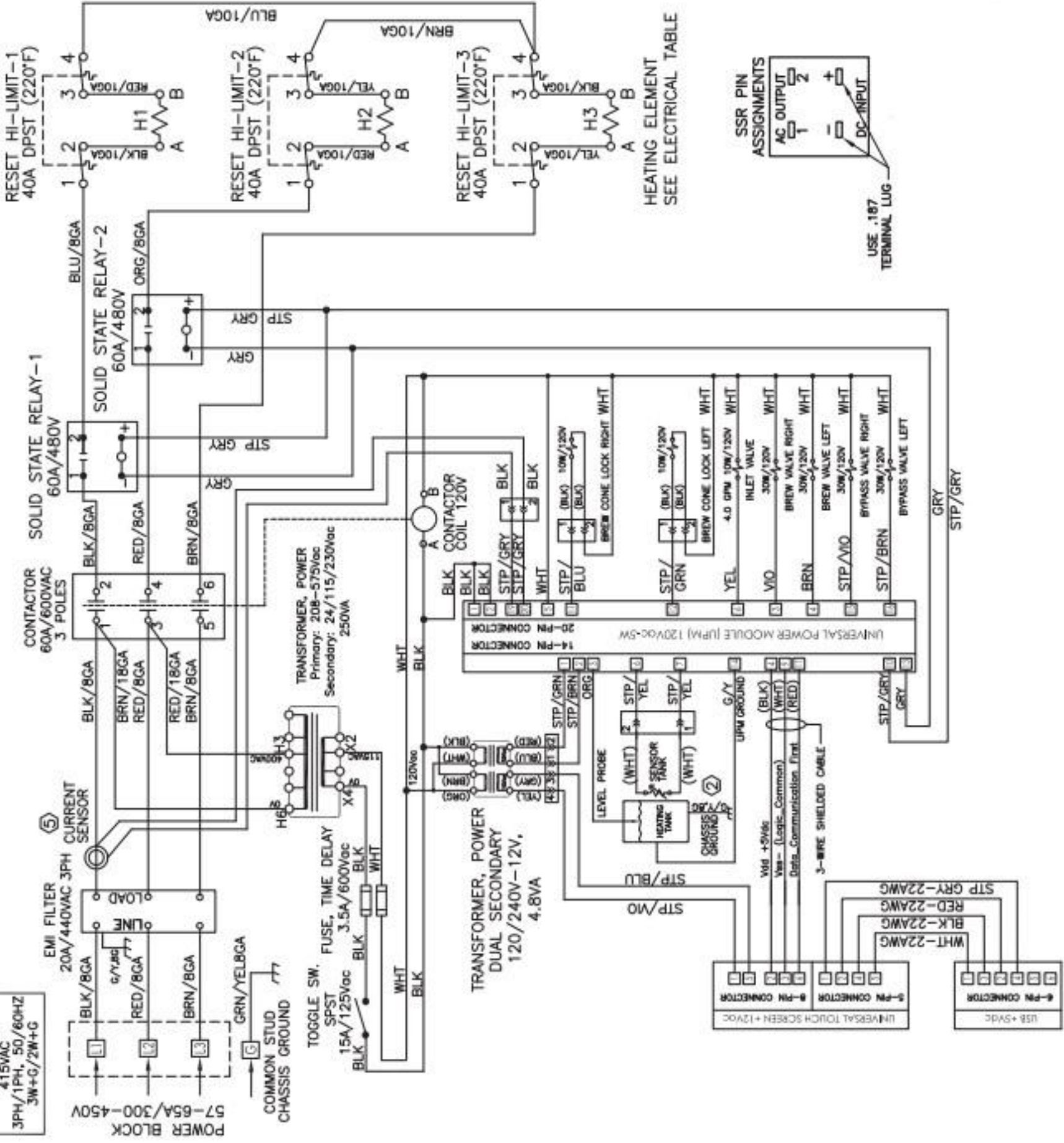


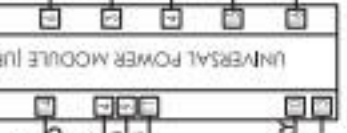
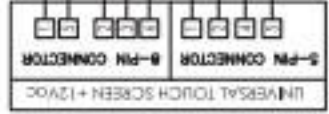
POWER SUPPLY
 415VAC
 3PH/1PH, 50/60HZ
 3W+G/2W+G

POWER BLOCK
 57-65A/300-450V

EMI FILTER
 20A/440VAC 3PH
 CURRENT SENSOR

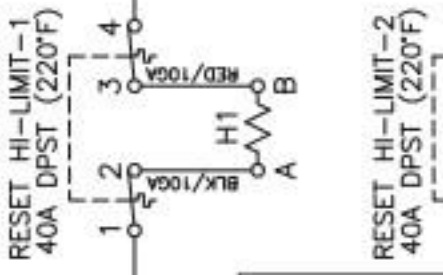


HEATING ELEMENT
 SEE ELECTRICAL TABLE



TRANSFORMER, POWER DUAL SECONDARY
 120/240V-12V, 4.8VA

TRANSFORMER, POWER
 Primary: 208-575Vac
 Secondary: 24/115/230Vac
 250VA



SOLID STATE RELAY-1
 60A/480V

SOLID STATE RELAY-2
 60A/480V

CONTACTOR
 60A/600VAC
 3 POLES

CONTACTOR COIL
 120V

POWER SUPPLY
 415VAC
 3PH/1PH, 50/60HZ
 3W+G/2W+G

POWER BLOCK
 57-65A/300-450V

EMI FILTER
 20A/440VAC 3PH
 CURRENT SENSOR

COMMON STUD CHASSIS GROUND

TOGGLE SW. SPST
 15A/125VAC

FUSE, TIME DELAY
 3.5A/600VAC

TRANSFORMER, POWER DUAL SECONDARY
 120/240V-12V, 4.8VA

TRANSFORMER, POWER
 Primary: 208-575Vac
 Secondary: 24/115/230Vac
 250VA

CONTACTOR
 60A/600VAC
 3 POLES

SOLID STATE RELAY-1
 60A/480V

SOLID STATE RELAY-2
 60A/480V

RESET HI-LIMIT-1
 40A DPST (220°F)

RESET HI-LIMIT-2
 40A DPST (220°F)

RESET HI-LIMIT-3
 40A DPST (220°F)

HEATING ELEMENT
 SEE ELECTRICAL TABLE

SSR PIN ASSIGNMENTS

AC OUTPUT
 1, 2

DC INPUT
 +, -

USE .187 TERMINAL LUG

4-PIN CONNECTOR
 WHT-22AWG
 BLK-22AWG
 RED-22AWG
 STP GRY-22AWG

5-PIN CONNECTOR
 WHT-22AWG
 BLK-22AWG
 RED-22AWG
 STP GRY-22AWG
 G/Y GROUND

14-PIN CONNECTOR
 WHT
 BLK
 BLK
 BLK
 STP/GRY
 STP/GRY
 WHT
 STP/BLU
 (BLK) 10W/120V
 (BLK) 10W/120V
 STP/GRN
 (BLK) 10W/120V
 (BLK) 10W/120V
 YEL
 VIO
 BRN
 STP/VIO
 STP/BRN
 STP/GRY

LEVEL PROBE

HEATING TANK

SENSOR TANK

CHASSIS GROUND

UPM GROUND
 G/Y

3-WIRE SHIELDED CABLE
 Vdd +5Vdc (BLK)
 Vss- (Logic Common) (WHT)
 Data Communication (Int) (RED)

UNIVERSAL TOUCH SCREEN +12VDC
 5-PIN CONNECTOR

UNIVERSAL POWER MODULE (UPM) 120VAC-5W
 14-PIN CONNECTOR

CONTACTOR COIL
 120V

BREW CONE LOCK RIGHT
 WHT

BREW CONE LOCK LEFT
 WHT

INLET VALVE
 4.0 GPM 10W/120V WHT

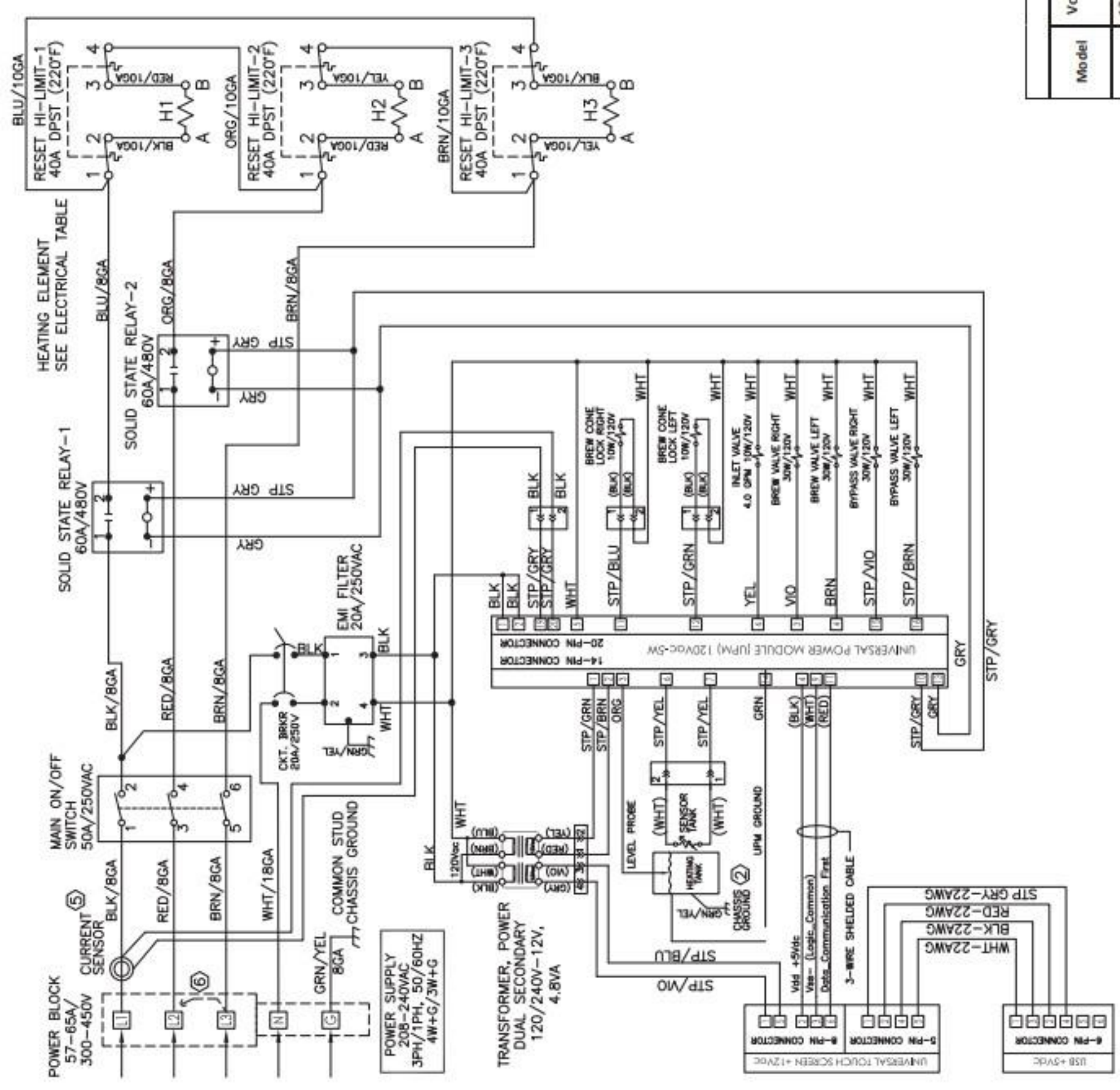
BREW VALVE RIGHT
 30W/120V WHT

BREW VALVE LEFT
 30W/120V WHT

BYPASS VALVE RIGHT
 30W/120V WHT

BYPASS VALVE LEFT
 30W/120V WHT

GRY
STP/GRY



Vc	
Model	

