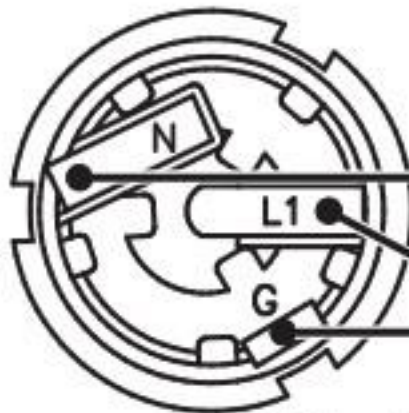


FEMALE IF
CONNECTOR
220-240Vac



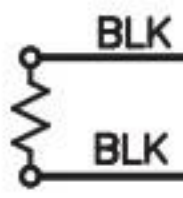
WHT-18GA

BLK-18GA

GRN-18GA

GROUND

WARMER ELEMENT
220Vac-75W



RED

RED

BLK-18GA

WHT-18GA

WHT-22GA

STP ORG-22GA

BLU-22GA

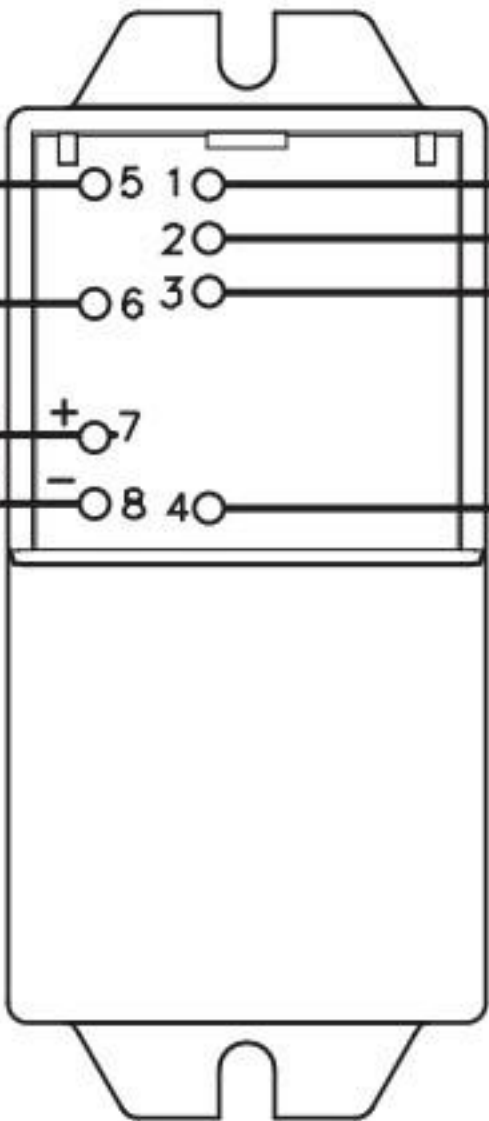
TEMP
SENSOR

WHT-22GA



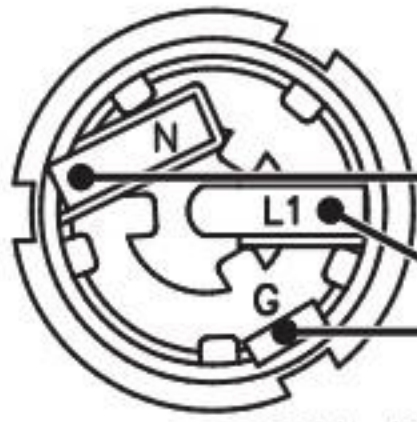
LED 5mm - RED 1.8Vdc

LED 5mm - GREEN 1.9Vdc



CONTROL MODULE, UPM 220V

FEMALE IF
CONNECTOR
110-120Vac



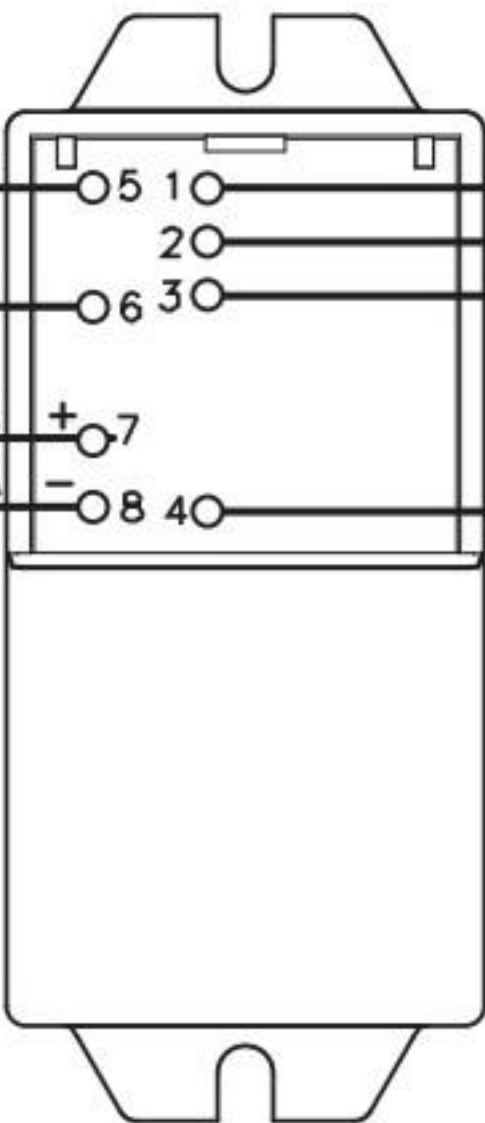
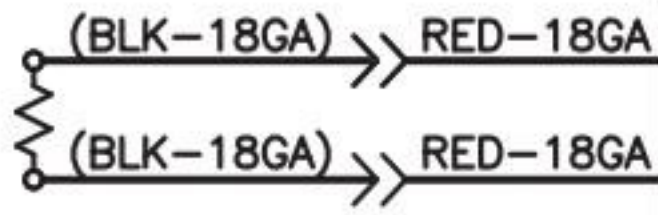
WHT-18GA

BLK-18GA

GRN-18GA

CHASSIS
GROUND

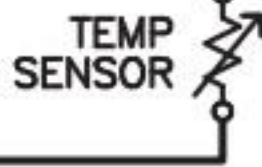
WARMER ELEMENT
120Vac-75W



BLK-18GA
WHT-18GA

WHT-28GA

WHT-28GA



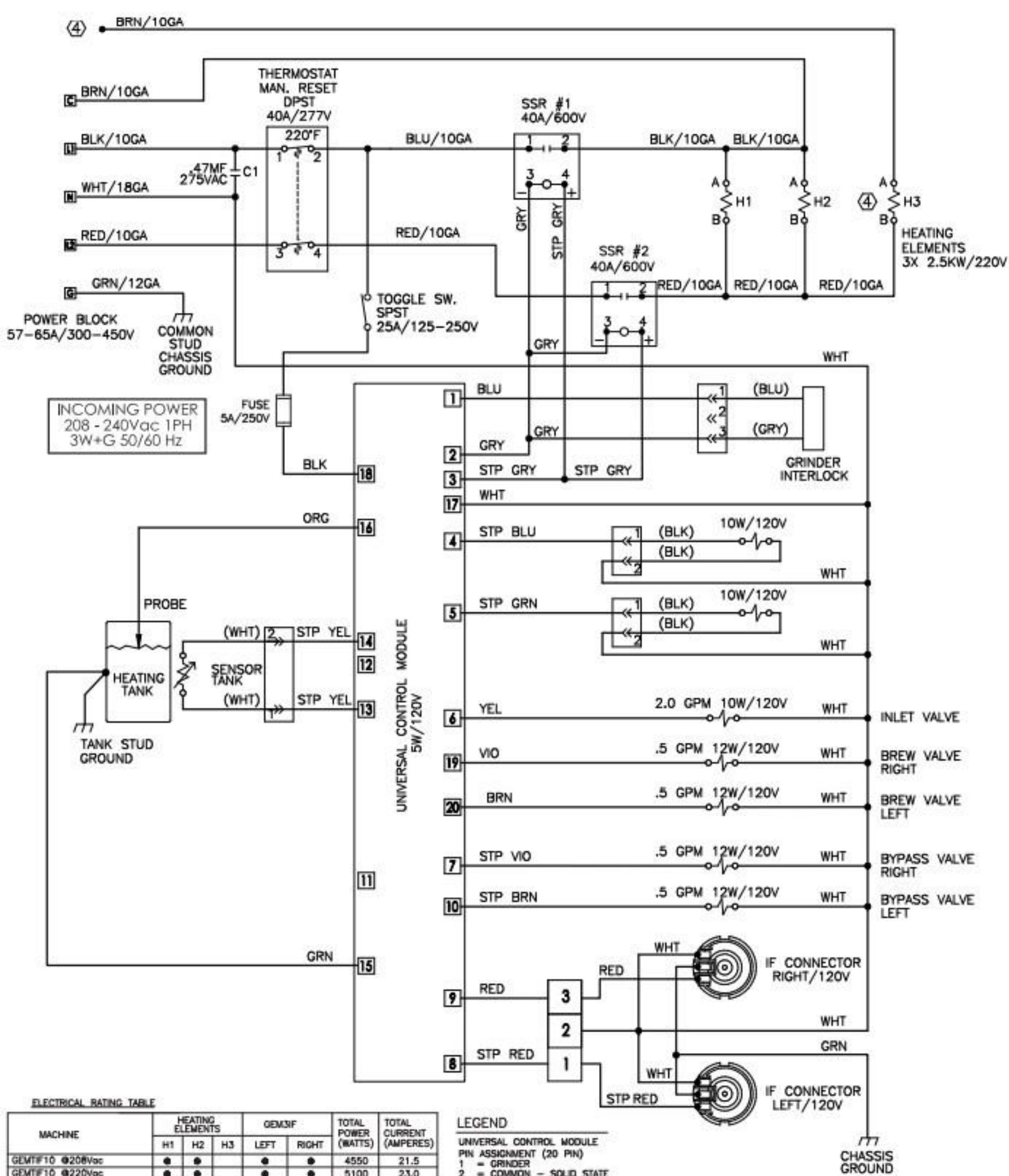
STP ORG-22GA +
BLU-22GA -



LED 5mm - RED 1.8Vdc
or
LED 5mm - GREEN 1.9Vdc

CONTROL MODULE
UPM 120V

Pin Assignments	
1	120V HOT

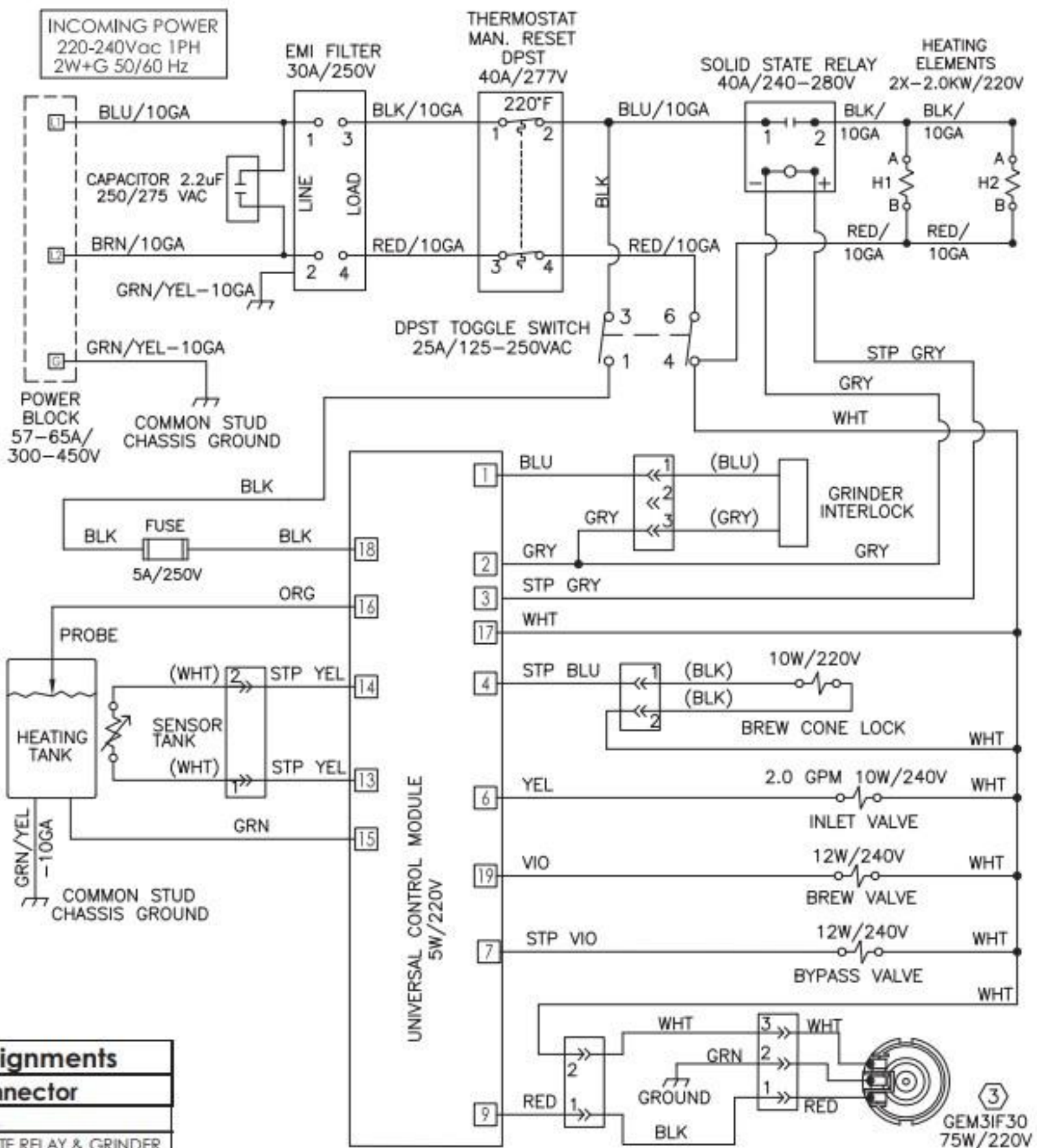


ELECTRICAL RATING TABLE

MACHINE	HEATING ELEMENTS			GEM31F		TOTAL POWER (WATTS)	TOTAL CURRENT (AMPERES)
	H1	H2	H3	LEFT	RIGHT		
GEMF10 @208Vac	●	●		●	●	4550	21.5
GEMF10 @220Vac	●	●		●	●	5100	23.0
GEMF10 @240Vac	●	●		●	●	5100	23.0

LEGEND

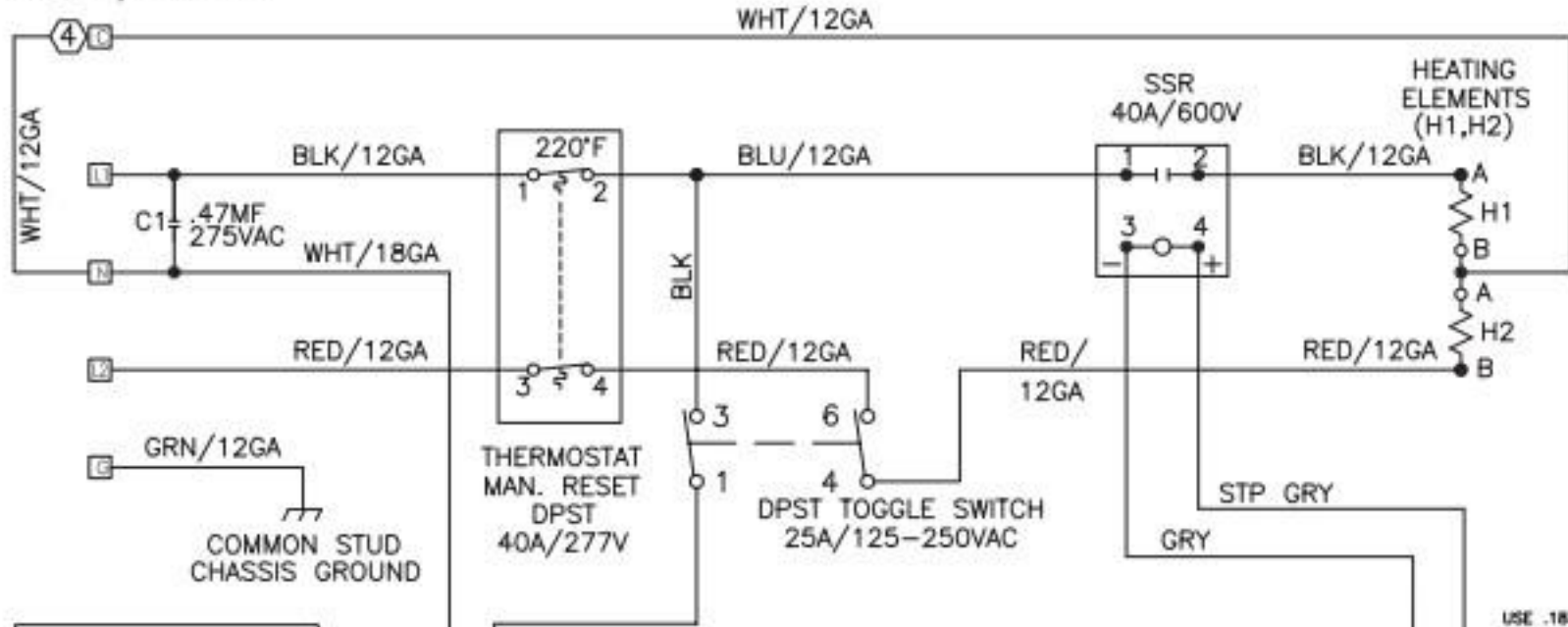
UNIVERSAL CONTROL MODULE
PIN ASSIGNMENT (20 PIN)
1 = GRINDER
2 = COMMON - SOLID STATE
RELAY * GRINDER



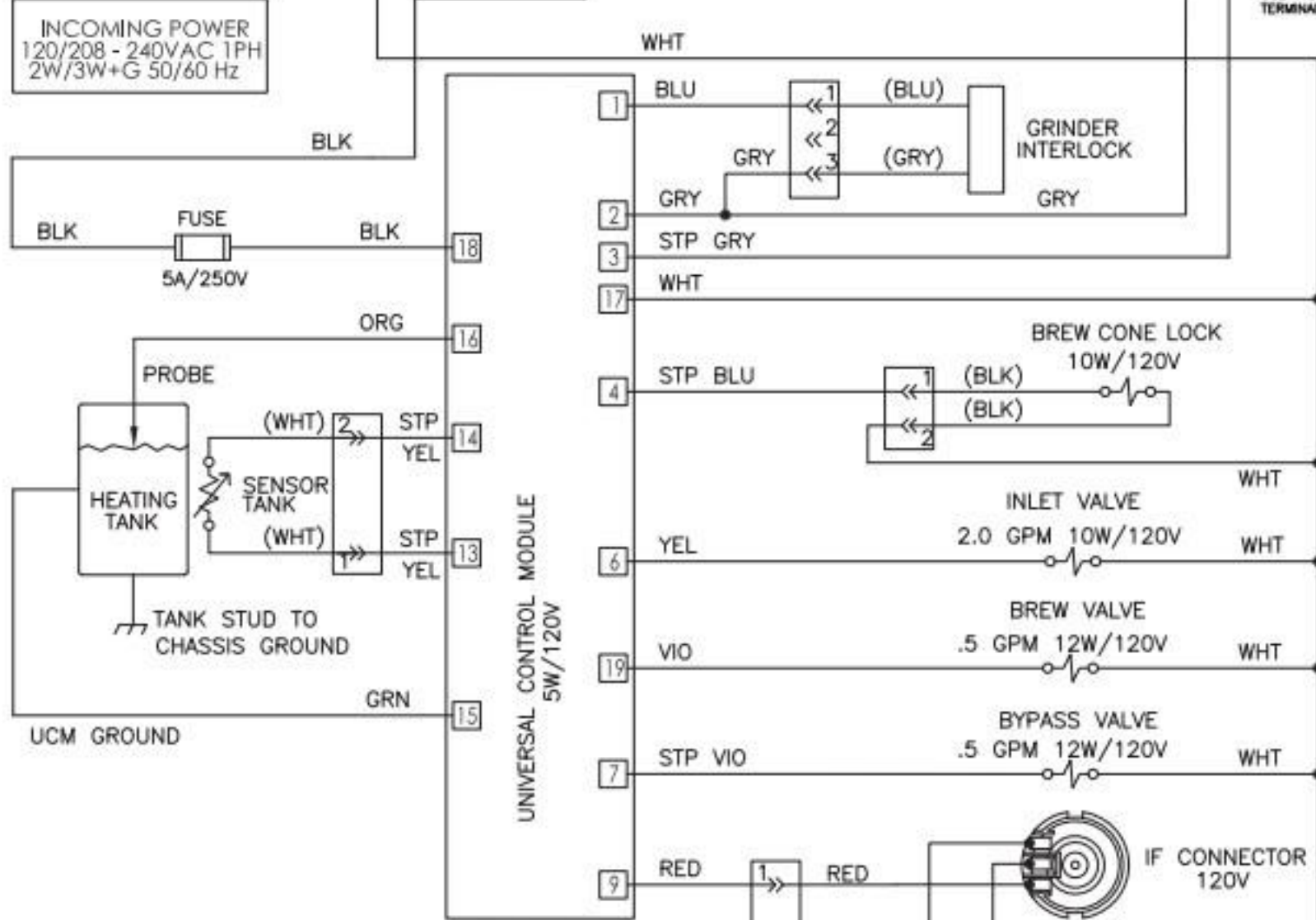
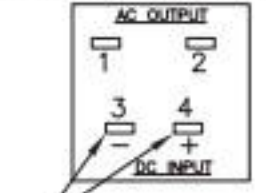
Designations
Connector
Power Block
State Relay & Grinder

GEM31F30
75W/220V

POWER BLOCK
57-65A/300-450V



SSR PIN ASSIGNMENTS



STD UCM LEGEND

UNIVERSAL CONTROL MODULE PIN ASSIGNMENT (20 PIN)

- 1 = GRINDER
- 2 = COMMON - SOLID STATE RELAY & GRINDER
- 11 = N/C
- 12 = N/C
- 13 = SENSOR TANK

INCOMING POWER
208 - 240Vac 1PH
3W+G 50/60 Hz

THERMOSTAT
MAN. RESET
DPST
40A/277V

SSR
40A/600V

