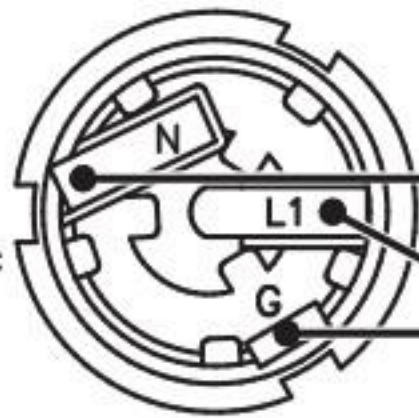


FEMALE IFC  
CONNECTOR  
220-240Vac



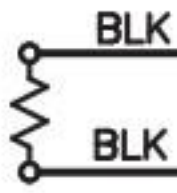
WHT-18GA

BLK-18GA

GRN-18GA

GROUND

WARMER ELEMENT  
220Vac-75W



RED

BLK-18GA

WHT-18GA

RED

WHT-22GA

STP ORG-22GA

BLU-22GA

TEMP  
SENSOR

WHT-22GA



LED 5mm - RED 1.8Vdc

or

LED 5mm - GREEN 1.9Vdc

CONTROL MODULE, UPM 220V

FEMALE IF  
CONNECTOR  
110-120Vac



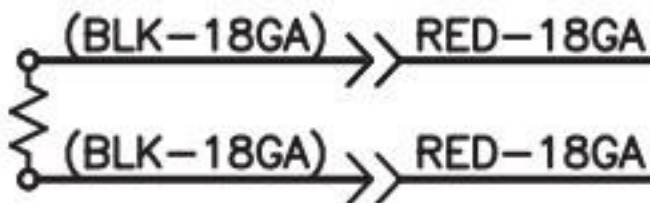
WHT-18GA

BLK-18GA

GRN-18GA

CHASSIS  
GROUND

WARMER ELEMENT  
120Vac-75W



BLK-18GA  
WHT-18GA

STP ORG-22GA

BLU-22GA

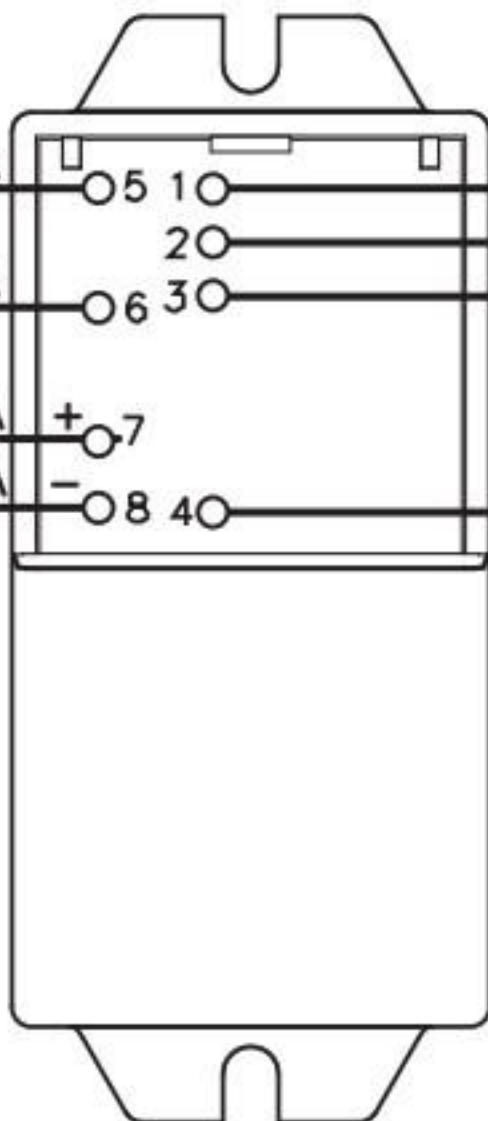
WHT-28GA

WHT-28GA

TEMP  
SENSOR



LED 5mm - RED 1.8Vdc  
or  
LED 5mm - GREEN 1.9Vdc

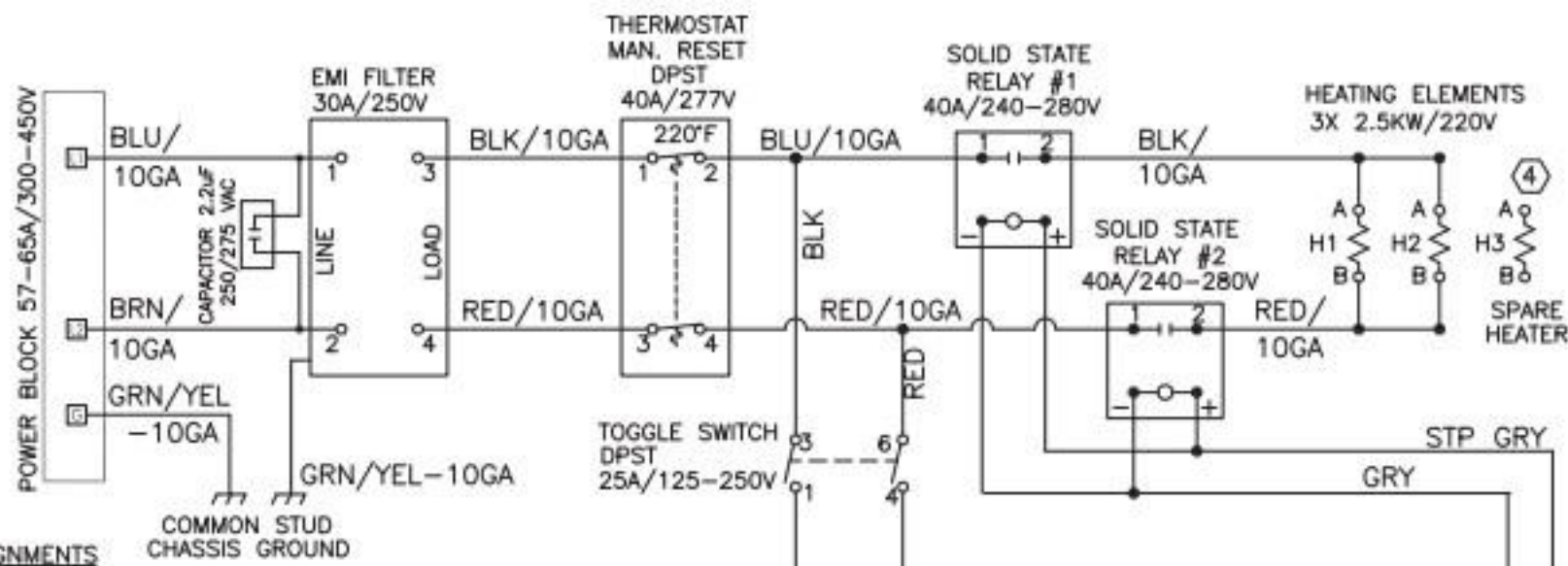


CONTROL MODULE  
UPM 120V

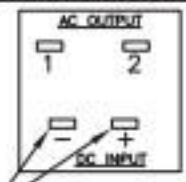
Pin Assignments

Pin Assignments	
1	120V HOT
2	120V NEUTRAL

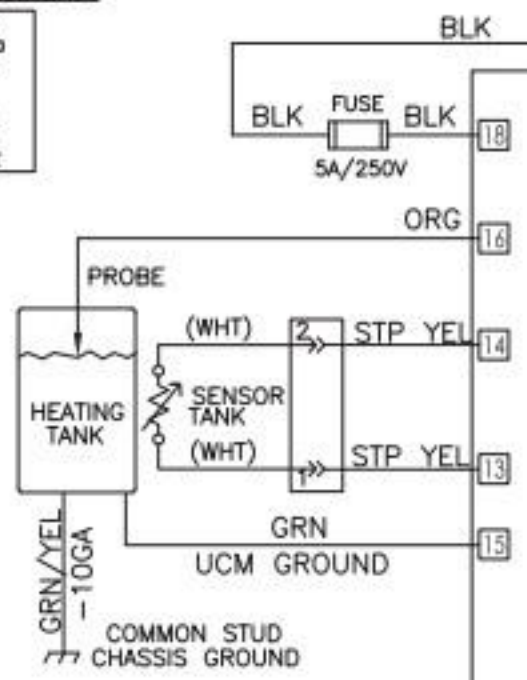
INCOMING POWER  
220-240Vac 1PH  
2W+G 50/60 Hz



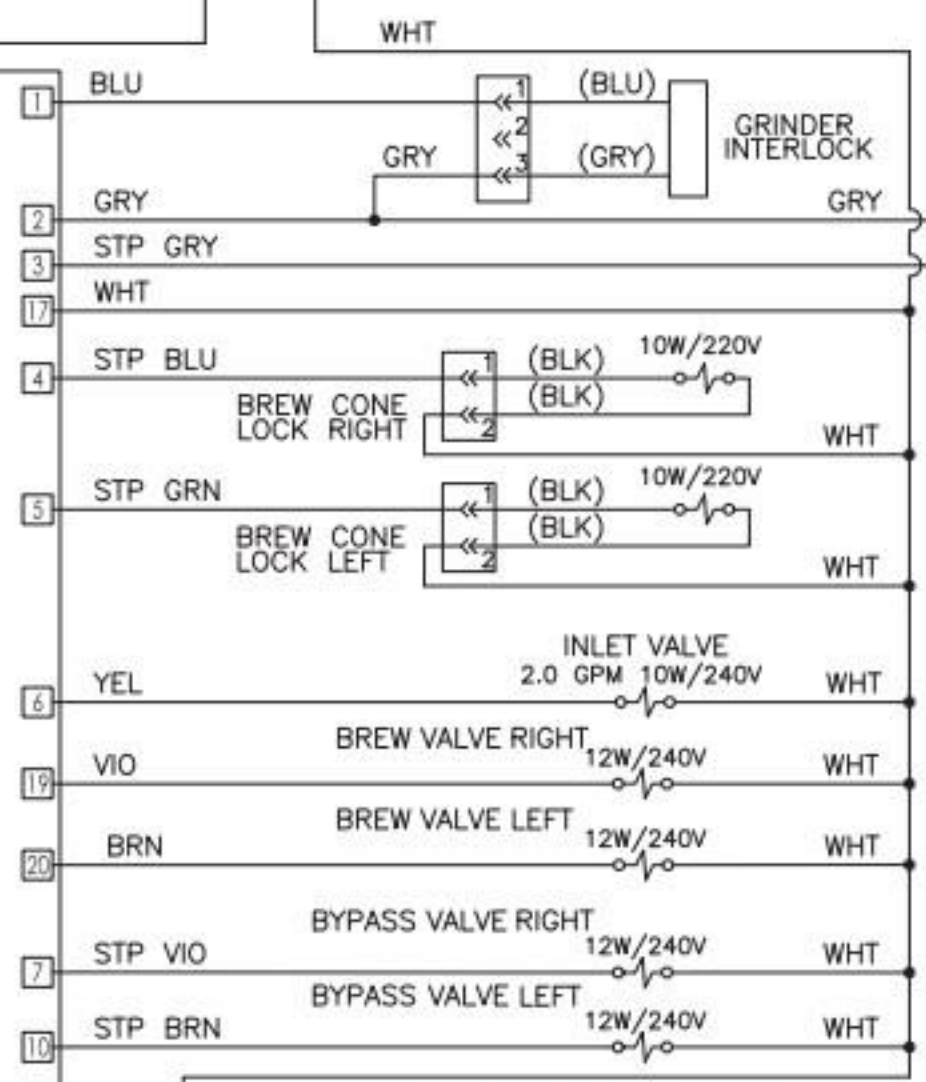
SSR PIN ASSIGNMENTS



USE .187 TERMINAL LUG

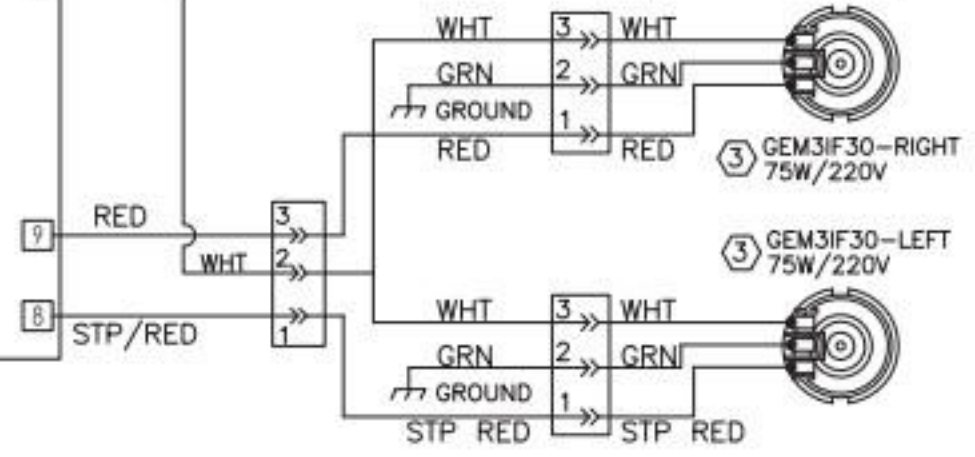


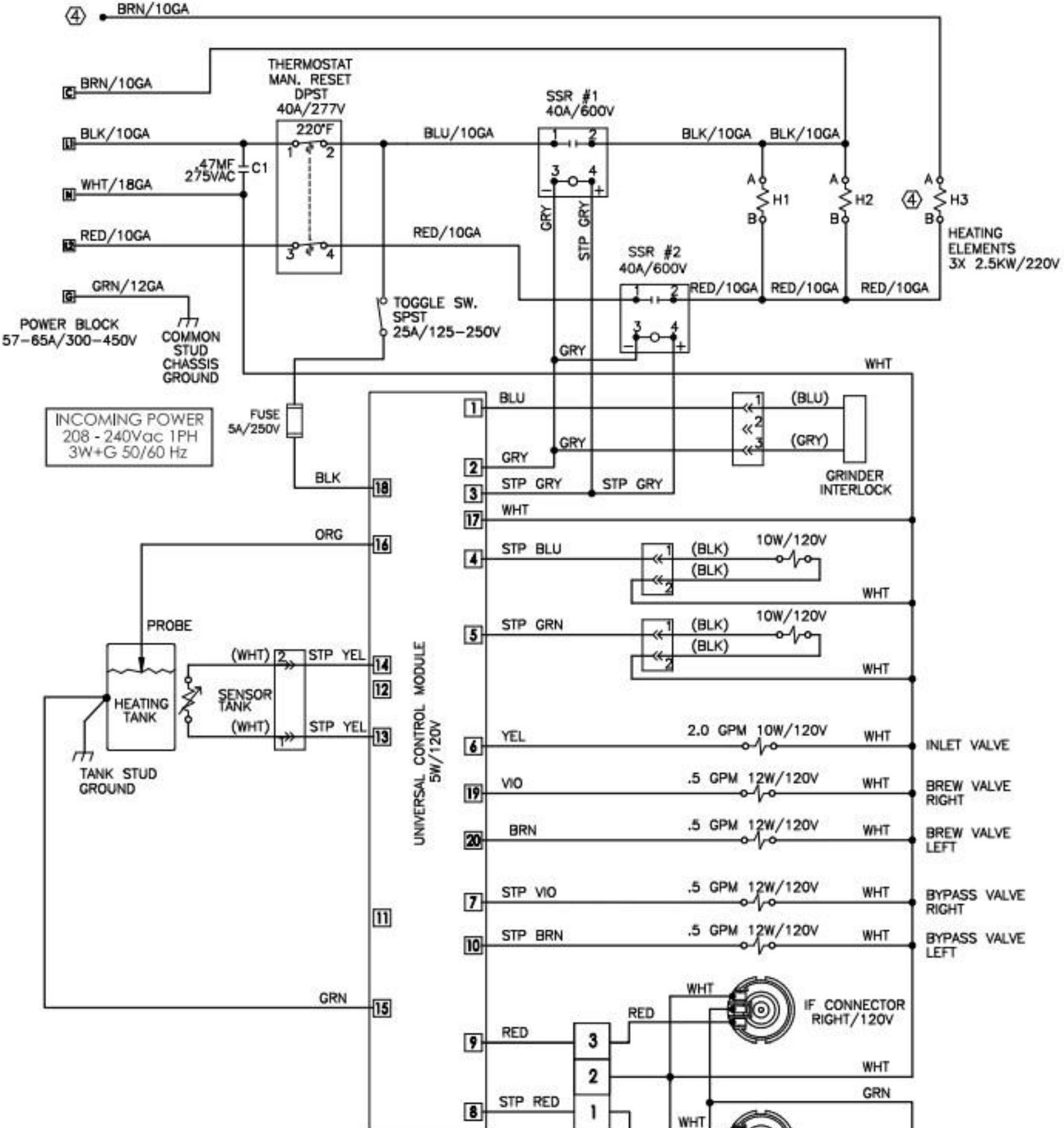
UNIVERSAL CONTROL MODULE 5W/220V



UCM Pin Assignments  
20 Pin Connector

1	GRINDER INTERLOCK
2	COMMON-SOLID STATE RELAY & GRINDER
3	SOLID STATE RELAY +5 Vdc
4	BREW CONE LOCK RIGHT
5	BREW CONE LOCK LEFT
6	INLET VALVE
7	BYPASS VALVE RIGHT
8	IF WARMER LEFT
9	IF WARMER RIGHT
10	BYPASS VALVE LEFT
11	NOT USED
12	NOT USED
13	TANK TEMPERATURE SENSOR
14	TANK TEMPERATURE SENSOR
15	UCM GROUND
16	WATER LEVEL PROBE
17	220-240V L2
18	220-240V L1
19	BREW VALVE RIGHT





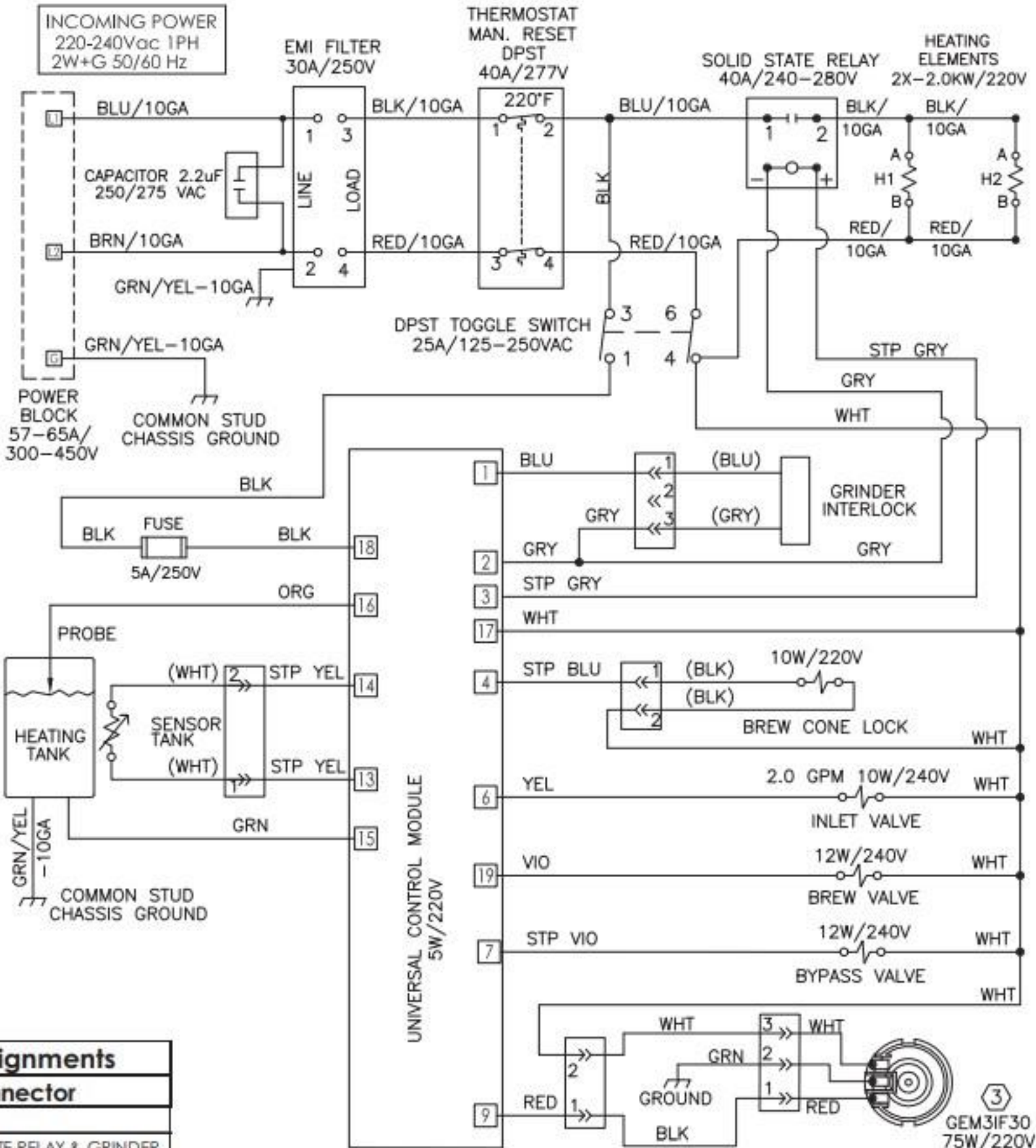
ELECTRICAL RATING TABLE

MACHINE	HEATING ELEMENTS			GEM3IF		TOTAL POWER (WATTS)	TOTAL CURRENT (AMPERES)
	H1	H2	H3	LEFT	RIGHT		
GEMTF10 @208Vac	●	●		●	●	4550	21.5
GEMTF10 @220Vac	●	●		●	●	5100	23.0
GEMTF10 @240Vac	●	●		●	●	5650	23.5

LEGEND

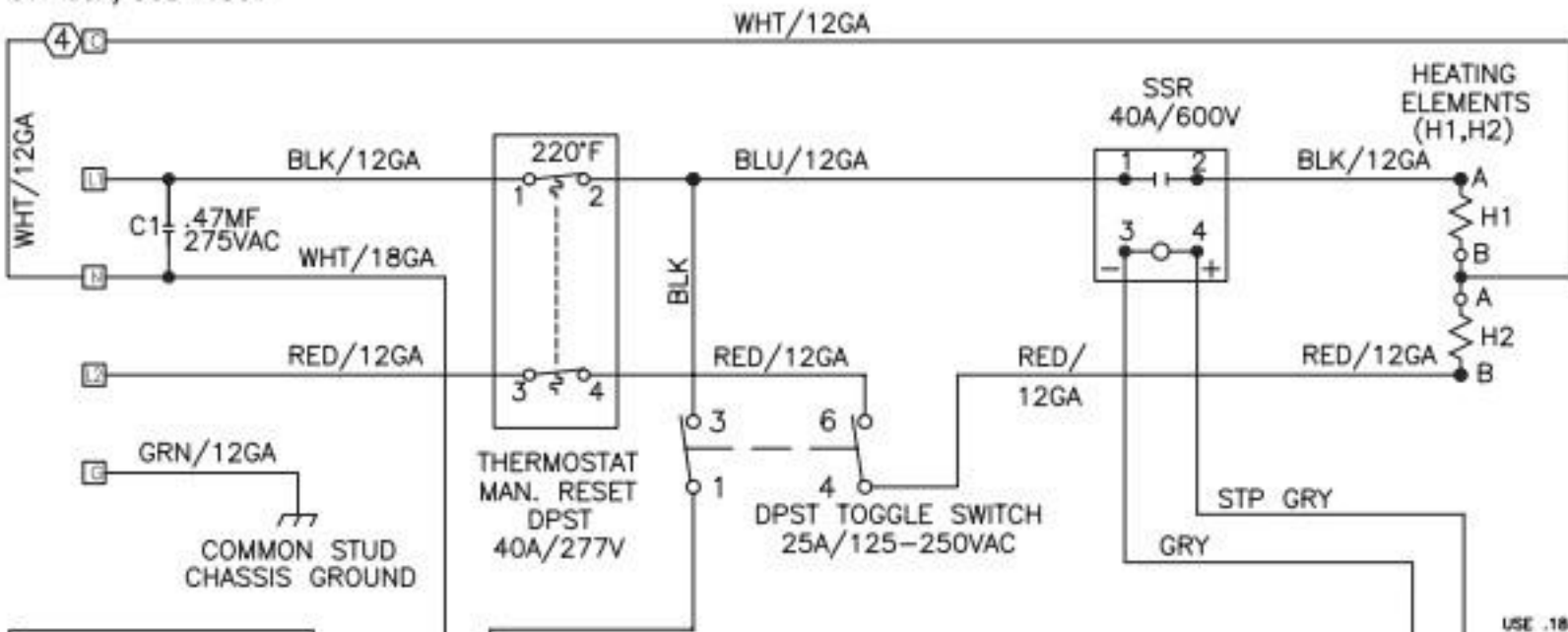
UNIVERSAL CONTROL MODULE  
PIN ASSIGNMENT (20 PIN)  
1 = GRINDER  
2 = COMMON - SOLID STATE RELAY \* GRINDER

CHASSIS GROUND

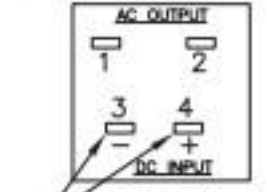


<b>Designations</b>
<b>Connector</b>
CK
DATE RELAY & GRINDER

**POWER BLOCK**  
57-65A/300-450V

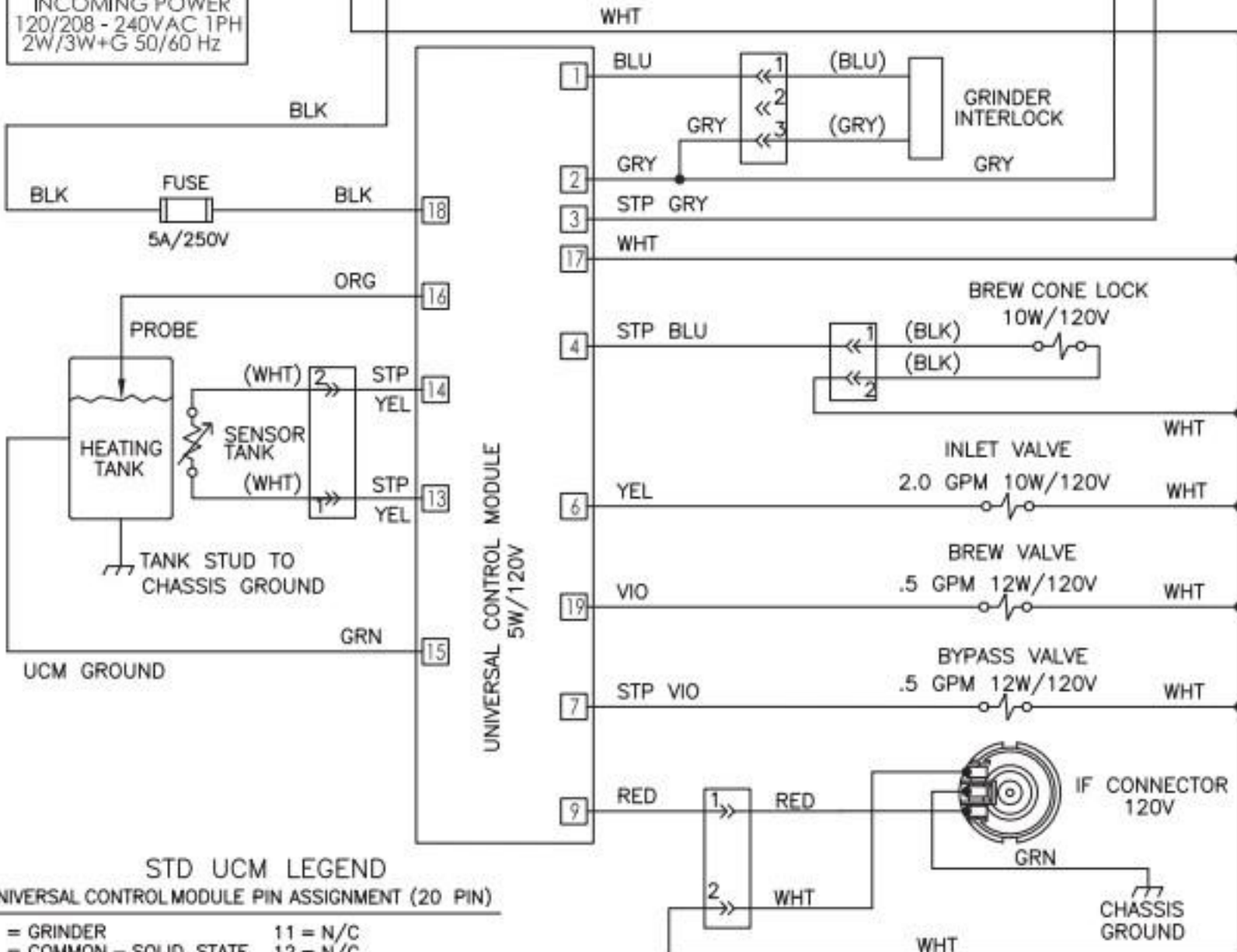


**SSR PIN ASSIGNMENTS**



USE .187 TERMINAL LUG

INCOMING POWER  
120/208 - 240VAC 1PH  
2W/3W+G 50/60 Hz



**STD UCM LEGEND**

**UNIVERSAL CONTROL MODULE PIN ASSIGNMENT (20 PIN)**

- 1 = GRINDER
- 2 = COMMON - SOLID STATE RELAY & GRINDER
- 11 = N/C
- 12 = N/C
- 13 = SENSOR TANK

INCOMING POWER  
208 - 240Vac 1PH  
3W+G 50/60 Hz

THERMOSTAT  
MAN. RESET  
DPST  
40A/277V

SSR  
40A/600V

